



SENECA II
PARTS CATALOG

CARD 1 OF 2

PA-34-200T SENECA II

PIPER AIRCRAFT CORPORATION

1A1

(PART NUMBER 761 589)

PIPER PARTS CATALOG

AEROFICHE EXPLANATION AND REVISION STATUS

The Parts Catalog information incorporated in this set of Aerofiche cards has been arranged in accordance with the general specifications of Aerofiche adopted by the General Aircraft Manufacturer's Association

Conversion of Aerofiche alpha/numeric code numbers

First number is the Aerofiche card identifier

Letter is the horizontal line reference per card

Second number is the vertical line reference per card

Example 2J16 = Aerofiche card number two of given set Grid location J16

To aid in locating the various sections and related information desired, the following is provided

A complete Catalog Table of Contents is given at Grid 1A8 of Aerofiche card number 1 of this set. Each additional card in this set will have a Table of Contents for all sections on that particular card. This table will start at Grid A3.

REVISIONS

The information compiled in this Aerofiche Parts Catalog will be kept current by revisions distributed periodically. These revisions will supersede all previous revisions and will be complete Aerofiche card replacements and shall supersede Aerofiche cards of the same number in the set.

Current Revisions to this PA-34-200T Parts Catalog issued August 12, 1974 are as follows:

761 589 (PR750812).....	Dated August 1975
761 589(PR751231).....	Dated December 1975
761 589 (PR760924).....	Dated September 1976
761 589 (PR770218).....	Dated February 1977
761 589 (PR770912).....	Dated September 1977
761 589 (PR780912).....	Dated September 1978
761 589 (PR790814).....	Dated August 1979
761 589 (PR800312).....	Dated March 1980
761 589 (PR800818).....	Dated August 1980
761 589 (PR810422).....	Dated April 1981
761 589 (PR830509).....	Dated May 1983

NOTE Refer to the last card of the Piper - Parts Price List - Aerofiche for a check list of current revision dates and card effectivities for this parts catalog

INTRODUCTION

This illustrated Parts Catalog is designed to provide simple but positive identification of replacement parts for the Piper Model PA-34-200T "Seneca II" manufactured by the Piper Aircraft Corporation of Vero Beach, Florida

NOTE: UNDER NO CIRCUMSTANCES SHALL THIS CATALOG BE USED FOR RIGGING AND INSTALLATION PURPOSES

It is suggested that this catalog be thoroughly studied to determine its arrangement prior to its utilization

- 1 The catalog is divided into eleven (11) major sections described as follows
 - a Section I to X inclusive contains all replacement parts for the complete airplane. Each section is subdivided and each division includes an illustration and a parts listing
 - b Section XI is the Miscellaneous Group. This group includes an illustration and parts list for the Placards and Exterior Stencils and a listing of the Optional Equipment Kits, Repair Kits and Special Tools
- 2 The following is a brief explanation of the columns in the parts lists: (Refer to EXAMPLE below)
 - a. The "FIGURE AND INDEX NUMBER" column indicates the illustration figure number and its part index number. EXAMPLE (2-1), the 2 is the figure number and the 1 is the index number. The figure number appears only at the top of each parts list page
 - b. The "PART NUMBER" column contains the identifying number of the replacement part and this number must be shown on all Parts Orders
 - c. The "CODE" column is for the purpose of indicating special uses of the part. An explanation of the letter code used is shown on the grid (page) preceding each parts listing and pertains to that listing only

ALL PARTS CODED WITH A "W" MUST BE PURCHASED FROM
PIPER AIRCRAFT CORPORATION, LOCK HAVEN, PENNA

ALL PARTS NOT CODED WITH A "W" MUST BE PURCHASED FROM
PIPER AIRCRAFT CORPORATION, VERO BEACH, FLORIDA.

- d. The "NOMENCLATURE" column indicates the part name. This name must be shown on all Parts Orders
- e. The "NO. REQ." (Number Required) column represents the total quantity of parts used per aircraft per figure when the part is not indented and the quantity of parts used per assembly when the part is indented. The symbol "AR" listed in the column means "As Required"
- f. The "SERIAL NUMBERS AFFECTED" column indicates the part application by airplane serial number

Figure and Index Number	Part Number	Code	EXAMPLE NOMENCLATURE	No. Req.	SERIAL NUMBERS AFFECTED
2-1	XXXXX-XX		DOOR ASSEMBLY - Baggage compartment	X	
-2	XXXXX-XX		* TUBE ASSEMBLY - Baggage door latch	X	
-3	XXXXX-XX		* * CLEVIS - Door latch tube assembly	X	
-4	XXXXX-XX		* * CLIP - Door latch tube assembly	X	

In the Nomenclature column, the next higher assembly relationship of items covered is shown by the degree of indentation of each item and is indicated by an asterisk (*). One asterisk signifies one indentation, two signifies two indentations, etc. The example listing above is interpreted as follows:

If the DOOR ASSEMBLY (not indented) is ordered, it will include the three items indented under the Door Assembly

If the TUBE ASSEMBLY (indented one space) is ordered, it will include the two items indented under the Tube Assembly

If you want only a CLEVIS or CLIP, you order only that item

PIPER PARTS CATALOG

3. The "ATTACHING PARTS" such as nuts, bolts, screws, etc., that are available as commercial hardware items, are not generally supplied by the Piper Aircraft Corporation. The catalog lists, for your convenience, those attaching parts required for main assemblies and installations. The identifying number for these parts appears after the part name.

4. All items of Optional Equipment are contained in the parts list in their proper sequence and sections. These items were not marked optional, since they are fully identified by their descriptions.

HOW TO IDENTIFY A PART IF YOU KNOW WHAT IT LOOKS LIKE AND KNOW WHERE IT IS LOCATED

1. Refer to Figure 1 to determine the section number in which the part is used.
2. Refer to the Table of Contents and locate the section. Note the figure numbers that illustrate the various subgroups of this main section.
 - a. Select the Figure title you think might contain the part you wish to identify and turn to the page specified.
3. NOTE: If you don't find the part on this illustration, try another figure in this group.
4. Refer to the "Figure and Index Number" in the Parts Listing for complete description of the part.

HOW TO ORDER PARTS

In ordering parts for your Piper Airplanes, observe the following instructions which will aid in your getting the right parts required without delay:

- a. Place your order with the distributor or dealer for your territory, since parts are available only through our distributor organization.
- b. Always specify the model and serial number of your airplane.
- c. Always specify Part Number, Name, Type and Quantity Required.
- d. Specify the method of shipment - Freight, express, parcel post, air express, air freight or air parcel post. Where the nature of the shipment requires it or when no instructions are given, we reserve the right to ship the most suitable way.

GENERAL INFORMATION

a. Shortages

All orders are checked and rechecked before leaving our Shipping Department. A packing slip is enclosed with the shipment and claims for errors or shortages must be made within three (3) days after receipt of orders.

b. Returned Goods

No material should be returned to us without first securing our written permission. Material sent in without notice will be held at the owner's risk for thirty (30) days and will then be disposed of as we see fit.

Transportation charges must be PREPAID on returned goods or the shipment will be refused.

c. Transportation Liabilities

The Piper Aircraft Corporation cannot be held liable for damages to parts in transit from the factory. If a shipment is received in a damaged condition, have the delivery man or Transportation Company make a notation of the damage and file your claim with the Carrier. In case of concealed damage, do not attempt to remove the part from the shipping container, or endeavor to repair the damage, but call the Carrier and have his Claim Agent inspect the damage before filing your claim with the Carrier.

PIPER PARTS CATALOG

PA-34-200T SERIAL NUMBER INFORMATION

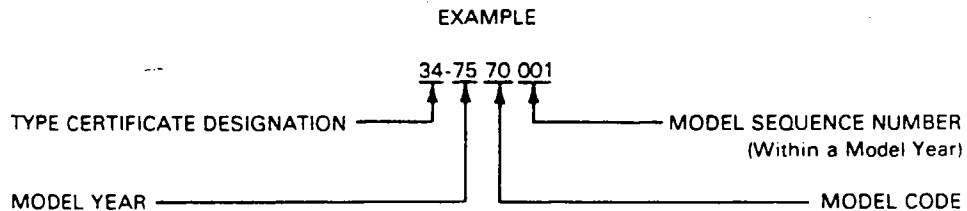
The following information should be kept in mind when ordering from this Catalog

a The serial numbers of the aircraft covered by this Parts Catalog are as follows:

- (1) Serial numbers of the 1975 PA-34-200T "Seneca II" Models are 34-7570001 to 34-7570337 inclusive
- (2) Serial numbers of the 1976 PA-34-200T "Seneca II" Models are 34-7670001 to 34-7670393 inclusive
- (3) Serial numbers of the 1977 PA-34-200T "Seneca II" Models are 34-7770001 to 34-7770441 inclusive
- (4) Serial numbers of the 1978 PA-34-200T "Seneca II" Models are 34-7870001 to 34-7870492 inclusive
- (5) Serial numbers of the 1979 PA-34-200T "Seneca II" Models are 34-7970001 to 34-7970556 inclusive
- (6) Serial numbers of the 1980 PA-34-200T "Seneca II" Models are 34-8070001 to 34-8070377 inclusive
- (7) Serial numbers of the 1981 PA-34-200T "Seneca II" Models are 34-8170001 to 34-8170092 inclusive

SERIAL NUMBER EXPLANATION

The Serial Number on the Manufactures Identification Plate is based on a 4-number set system. The first number set defines the Type Certificate Designation, the second set is the Model Year, the third set is the Model Code, while the fourth set is the Model Sequence Number (within a model year).



PIPER PARTS CATALOG

STANDARD PAINT CHART

	MFG NO.	PIPER PART NUMBER	
		QUART	GALLON
EXTERIOR			
ACRYLIC LACQUER			
Madrid Red	B-5511	4175 593	1175 593
Bahama Blue	B-9170	4175 436	1175 436
Avocado	G-2352	4175 331	1175 331
Las Vegas Gold	G-2124-A	4175 332	1175 332
Dakota Black	H-6117-R	4175 373	1175 373
Ocala Orange (base coat)	P7946	4175 378	1175 378
Ocala Orange (top coat)	C-2065-A	4175 500	1175 500
Juneau White	B-7784-B	4175 657	1175 657
Lime Green	D-6449	4175 380	1175 380
Baja Yellow	D-6448	4175 379	1175 379
Denver Brown (base coat)	K-2790	4175 299	1175 299
Denver Brown (top coat)	B-5460	4175 409	1175 409
Matador Red	R4418	4175 389	1175 389
Royal Blue	X5700	4175 390	1175 390
Hickory Brown	Y9775	4175 392	1175 392
Indian Silver	M9514	4175 391	1175 391
Sage Green	R3796R	4175 304	1175 304
Firethorn Red	R3956R	4175 305	1175 305
Dark Blue	R3957R	4175 306	1175 306
Silver	M9514R	4175 307	1175 307
Buckskin	R3959R	4175 303	1175 303
Sandalwood Tan	R8175R	4175 309	1175 309
Platinum Gray	R8174R	4175 308	1175 308
Dark Claret	R3955	4175 311	1175 311
Thinner	B5408-B	4179 402	1179 402

PIPER PARTS CATALOG

STANDARD PAINT CHART

	MFG. NO	PIPER PART NUMBER	
		QUART	GALLON
EXTERIOR			
POLYURETHANE ENAMEL (Dupont Imron)			
Baja Yellow	H7850U	4175 461	1175 461
Juneau White	H7848U	4175 462	1175 462
Ocala Orange	H7857UM	4175 463	1175 463
Madrid Red	H7851UM	4175 464	1175 464
Bahama Blue	H7853U	4175 465	1175 465
Avocado	H7852U	4175 466	1175 466
Las Vegas Gold	5242U	4176 121	1176 121
Dakota Black	99U	4175 467	1175 467
Denver Brown	H7859U	4176 122	1176 122
Matador Red	H7858U	4175 468	1175 468
Royal Blue	H7856U	4175 469	1175 469
Hickory Brown	H7855U	4175 470	1175 470
Silver	45431U	4176 123	1176 123
Lime Green	H7854U	4175 460	1175 460
Sage Green	K7887U	4176 132	1176 132
Firethorn	K7888UW	4176 133	1176 133
Buckskin	K7890U	4176 135	1176 135
Dark Blue	K7891U	4176 136	1176 136
Platinum Gray	N7819U	4176 126	1176 126
Sandalwood Tan	N7818U	4176 127	1176 127
Dark Claret	K7886U	4176 131	1176 131
Catalyst (Activator)	192S	4179 950	1179 950
Reducer	Y8485S	4179 145	1179 145
Retarder	8100S	4179 559	1179 559
Accelerator	189S	4179 951	
POLYURETHANE PRIMER (Dupont Imron)			
Wash Primer	B9287	4170 766	1170 766
Wash Primer Thinner	K1733	4179 452	1179 452
Acid Thinner	B9289	4179 403	1179 403

TABLE OF CONTENTS

FIGURE NUMBER	FIGURE TITLE	GRID NUMBER
1	Complete Airplane	1A11
SECTION I WING GROUP		
2	Wing Installation	1A12
3	Wing Leading Edge Assembly	1A18
4	Wing Trailing Edge Assembly	1B1
5	Aileron Assembly	1B6
6	Flap Assembly	1B9
SECTION II FUSELAGE GROUP		
7	Fuselage Assembly - Complete	1B12
8	Fuselage Nose Cone Assembly	1B16
9	Fuselage Upper Forward Cockpit Assembly	1B19
10	Fuselage Upper Center Cockpit Assembly	1C1
11	Fuselage Upper Aft Cockpit Assembly	1C6
12	Fuselage Lower Forward Cockpit Assembly	1C9
13	Fuselage Lower Aft Cockpit Assembly	1C14
14	Fuselage Aft Section	1C18
15	Fuselage Enclosure Installation	1D1
16	Fuselage Forward Cabin Door (S/N 34-7570001 to 34-7670063 incl)	1D6
16A	Fuselage Forward Cabin Door (S/N 34-7670064 and up)	1D10
17	Fuselage Aft Cabin Door	1D15
18	Fuselage Aft Cargo Door	1D20
19	Fuselage Forward Baggage Door Assembly	1E1
20	Forward Baggage Compartment Finishing Installation	1E5
21	Cockpit Finishing Installation	1E8
21A	Window Curtains Installation (S/N 34-7770001 and up)	1E15
22	Forward Fresh Air Duct and Headliner Installation	1E18
23	Aft Fresh Air Duct Installation	1E21
24	Carpet Installation	1F1
25	Seats Installation	1F10
26	Vertically Adjustable Front Seat Assembly	1F16
27	7th Seat Installation	1F21
27A	Aft Facing Seat Assembly - Center (S/N 34-7770001 and up)	1G1
27B	Club Seating Installation (S/N 34-7770001 and up)	1G4
28	Instrument Panel Installation	1G8
29	Gyro Pressure System Installation	1G13
30	Pitot Static System Installation (S/N 34-7570001 to 34-7670136 incl)	1G17
30A	Pitot Static System Installation (S/N 34-7670137 and up)	1G21
31	Pneumatic Deicer Installation	1H1
32	Heat and Defrost System Installation	1H5
33	Janitrol Heater Assembly	1H8
34	Janitrol Heater Components	1H11
35	Heater Duct Installation	1H14
36	Heater Fuel System Installation	1H17
37	Heater Controls Installation	1H20
37A	Air Conditioning Compressor and Refrigerant Lines Installation (S/N 34-7970001 and up)	1I1
37B	Air Conditioning Duct and Evaporator Installation (S/N 34-7970001 and up)	1I4
37C	Air Conditioning Condenser and Scoop Installation (S/N 34-7970001 and up)	1I8
37D	Oxygen System Installation (Fixed) (S/N 34-8070001 and up)	1I11

TABLE OF CONTENTS

FIGURE NUMBER	FIGURE TITLE	GRID NUMBER
SECTION III TAIL SURFACES GROUP		
38	Tail Surfaces Installation	1I15
39	Stabilator Assembly	1I19
40	Fin Assembly	1I22
41	Rudder Assembly	1J1
SECTION IV CHASSIS GROUP		
42	Nose Gear Installation	1J4
43	Nose Gear Assembly	1J8
44	Nose Wheel Assembly (Cleveland)	1J12
44A	Nose Wheel Assembly (McCauley)	1J15
45	Main Gear Installation	1J18
46	Main Gear Assembly	1K1
47	Main Wheel Assembly	1K5
48	Brake Assembly	1K8
49	Nose and Main Gear Door Actuation Installations	1K11
50	Hand Brake Installation	1K15
51	Toe Brake Installation	1K19
52	Toe Brake Master Cylinder Assembly	1K22
SECTION V HYDRAULIC SYSTEM GROUP		
53	Hydraulic System Installation (S/N 34-7570001 to 34-7970104 incl)	1L1
53A	Hydraulic System Installation (S/N 34-7970105 and up)	1L5
SECTION VI POWER PLANT GROUP		
54	Power Plant Installation	2A5
54A	Two Blade Propeller Assembly (Hartzell)	2A9
54B	Three Blade Propeller Assembly (McCauley) (S/N 34-7970001 and up)	2A13
54C	Propeller Synchrophaser System Installation (S/N 34-7970001 and up)	2A17
55	Engine Baffle Installation	2A20
56	Engine Cowl Assembly	2B1
57	Cowl Flap Installation	2B5
58	Engine Controls Installation	2B8
59	Quadrant Assembly	2B12
60	Nacelle Installation	2B15
SECTION VII FUEL SYSTEM GROUP		
61	Fuel System Installation	2B18
62	Engine Instrument Lines Installation	2C1
63	Fuel Tank Assemblies	2C5

TABLE OF CONTENTS

FIGURE NUMBER	FIGURE TITLE	GRID NUMBER
SECTION VIII		
CONTROL SYSTEM GROUP		
64	Aileron Control Installation	2C9
65	Rudder Control Installation	2C13
66	Rudder Trim Installation	2C16
67	Stabilator Control Installation	2C20
68	Stabilator Trim Installation	2D1
69	Flap Control Installation	2D5
70	Control Wheel Installation	2D9
71	Bobweight Installation	2D13
72	Rudder Pedal Installation	2D16
SECTION IX		
ELECTRICAL SYSTEM GROUP		
73	Electrical System Installation	2D19
74	Instrument Panel Electrical Installation	2E1
74A	Air Conditioning Electrical Installation (S/N 34-7970001 and up)	2E5
75	Strobe Lights Installation	2E8
76	External Power Supply Installation	2E11
77	Landing Light Assembly	2E14
78	Two Blade Propeller Electric Deicer Installation	2E17
78A	Three Blade Propeller Electric Deicer Installation (S/N 34-7970001 and up) ..	2E20
79	Heated Glass Panel Installation	2F1
SECTION X		
ELECTRONICS GROUP		
80	Electric Pitch Trim Installation	2F4
81	AutoControl III B Installation	2F7
81A	AltiMatic III C Installation	2F10
81B	King KFC-200 AutoPilot/Flight Director Installation (S/N 34-7970001 and up)	2F14
82	Piper Automatic Locator (ELT) Installation (Garrett Mfg. Ltd)	2F17
82A	Piper Automatic Locator (ELT) Installation (Communications Components Corp)	2F20
82B	Piper Automatic Locator (ELT) Installation (Narco Avionics)	2G1
83	Radio Antenna System and Static Wicks Installation	2G4
84	Audio Selector Assembly	2G8
84A	Avionics Cooling Installation	2G11
85	Radar Altimeter Installation (Bonzer)	2G14
86	Radar Altimeter Installation (King) (S/N 34-8070001 and up)	2G17
87	Radar System Installation (S/N 34-7870001 and up)	2G20
88	Encoder Installation (Narco - AR 500 & United - 5125-P3) (S/N 34-7770001 and up)	2H1
	Radio Installation Drawings	2H4
SECTION XI		
MISCELLANEOUS GROUP		
89	Placards and Exterior Stencils	2H7
	Optional Equipment Kits and Repair Kits	2H13
NUMERICAL INDEX		2H15

PIPER PARTS CATALOG

MISCELLANEOUS XI

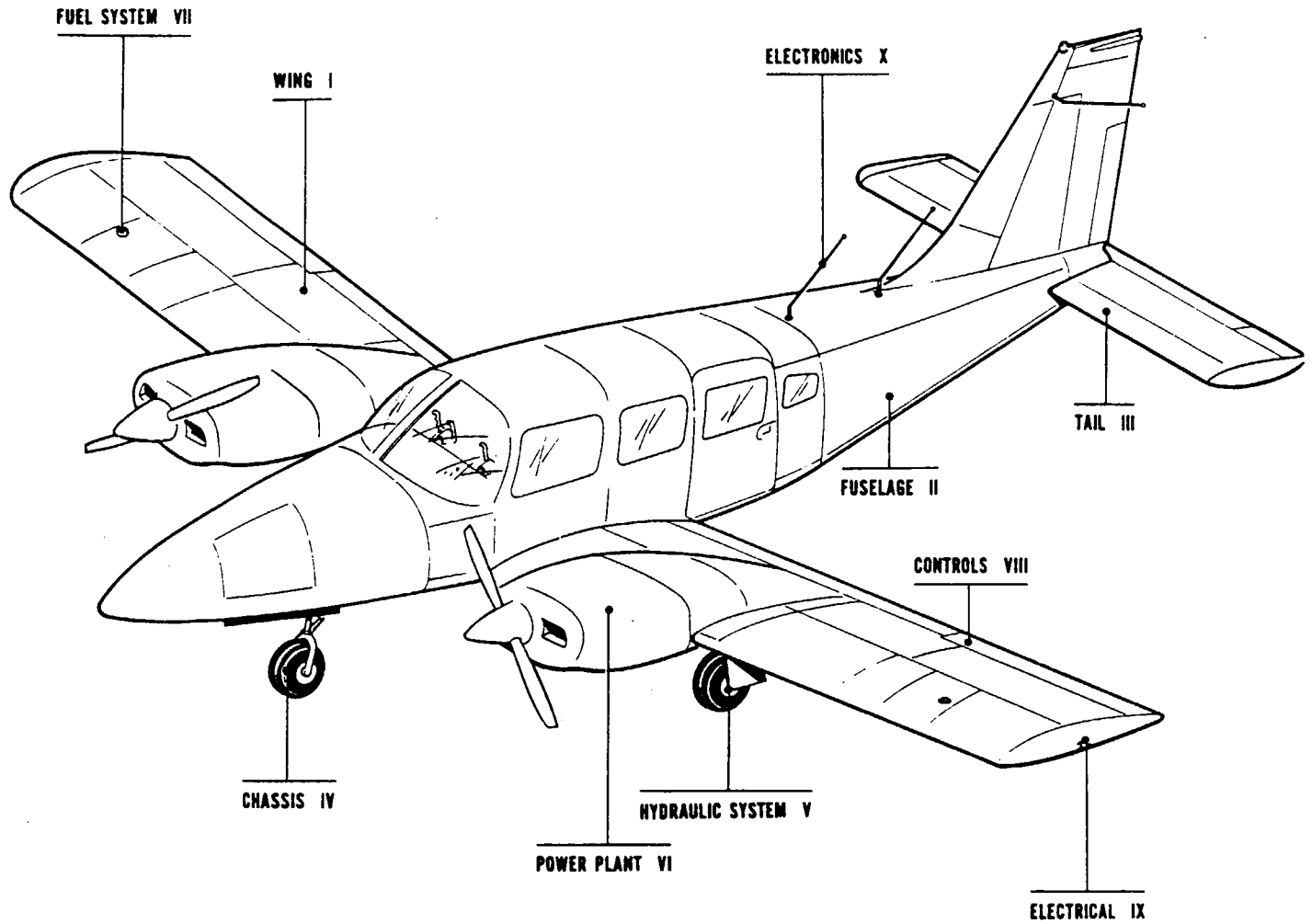


Figure 1. Complete Airplane

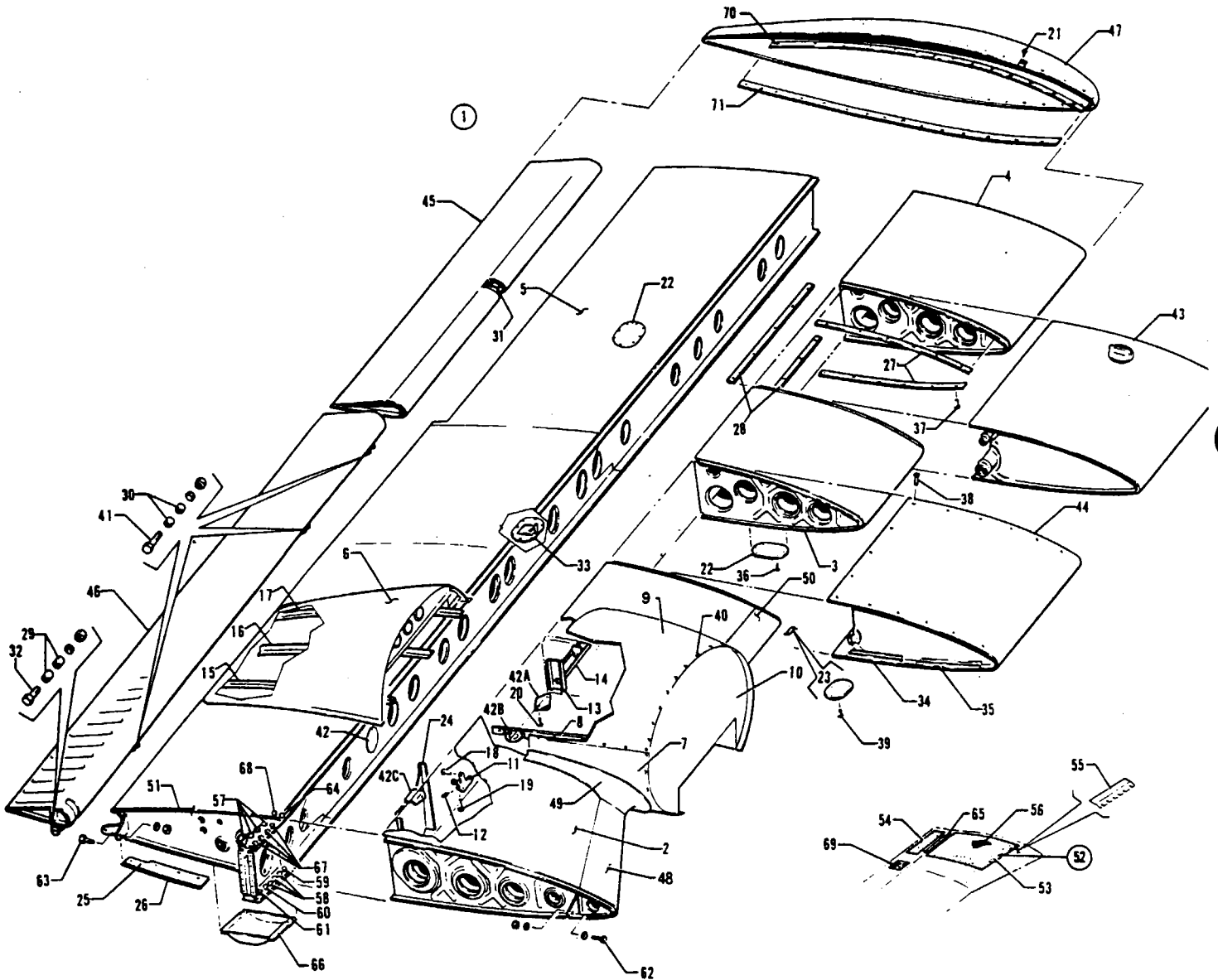


Figure 2 Wing Installation

REVISED MAY 1983

1A12

PA-34-200T

PIPER PARTS CATALOG

CODE EXPLANATIONS FOR FIGURE 2

- A - See Figure 3 for component parts.
- B - See Figure 4 for component parts.
- C - See Figure 60 for component parts.
- D - See Figure 63 for component parts.
- E - See Figure 5 for component parts.
- F - See Figure 6 for component parts.
- G - Used on aircraft with serial numbers 34-7570001 to 34-7670103 inclusive. If Flap Assembly 95650-00 or 95650-01 has been replaced with 37773-02 or 37773-03, order same part number stamped on identification plate, located on the outboard rib.
- H - Used if optional center fuel cell is not installed
- J - Used if optional center fuel cell is installed.
- K - Items 16 through 26 on Figure 49 are components of this assembly.
- L - Complete kit required if replacing safety walk compound painted on wing.
- M - Used if air conditioning is installed.
- N - Used with thermoplastic wing tip only.
- W - These parts must be ordered from Service Spares Department, Piper Aircraft, Lock Haven, Penna.

PIPER PARTS CATALOG

Figure and Index Number	Part Number	Code	NOMENCLATURE	No. Req.	SERIAL NUMBERS AFFECTED
2-	95004 37093		DRAWING - Wing Installation DRAWING - Wing Assembly (Complete)		
-1	37093-03 37093-04 37093-05 37093-06 37093-10 37093-11 37093-12 37093-13	H,K H,K J,K J,K H,K H,K J,K J,K	WING ASSEMBLY - Left WING ASSEMBLY - Right WING ASSEMBLY - Left WING ASSEMBLY - Right WING ASSEMBLY - Left WING ASSEMBLY - Right WING ASSEMBLY - Left WING ASSEMBLY - Right	1 1 1 1 1 1 1 1	34-7570001 to 34-7870492 incl 34-7570001 to 34-7870492 incl 34-7570001, 34-7670114 to 34-7870492 incl 34-7570001, 34-7670114 to 34-7870492 incl 34-7970001 and up 34-7970001 and up 34-7970001 and up 34-7970001 and up
-2	37021-00 37021-01	A A	* LEADING EDGE ASSEMBLY - Wing, inboard, left * LEADING EDGE ASSEMBLY - Wing, inboard, right	1 1	
-3	95614-06 95614-01 37770-02 37770-03	A,H A,H A,J A,J	* LEADING EDGE ASSEMBLY - Wing, intertank, left * LEADING EDGE ASSEMBLY - Wing, intertank, right * LEADING EDGE ASSEMBLY - Wing, intertank, left * LEADING EDGE ASSEMBLY - Wing, intertank, right	1 1 1 1	34-7570001, 34-7670114 and up 34-7570001, 34-7670114 and up
-4	37023-00 37023-01	A A	* LEADING EDGE ASSEMBLY - Wing, outboard, left * LEADING EDGE ASSEMBLY - Wing, outboard, right	1 1	
-5	37304-00 37304-01	B B	* TRAILING EDGE ASSEMBLY - Wing, left * TRAILING EDGE ASSEMBLY - Wing, right	1 1	
-6	37526-00 37526-01 37526-34 37526-35	C C C C	* NACELLE ASSEMBLY - Left * NACELLE ASSEMBLY - Right * NACELLE ASSEMBLY - Left * NACELLE ASSEMBLY - Right	1 1 1 1	34-7570001 to 34-7870492 incl. 34-7570001 to 34-7870492 incl 34-7970001 and up 34-7970001 and up
-7	37471-04 37471-05 37471-02 37471-03		* SKIN ASSEMBLY - Hatch, left inboard * SKIN ASSEMBLY - Hatch, right inboard * SKIN ASSEMBLY - Hatch, left outboard * SKIN ASSEMBLY - Hatch, right outboard	1 1 1 1	
-8	37467-00 37467-01 37467-04 37467-05		* CHANNEL ASSEMBLY - Hatch, outboard left nacelle, inboard right nacelle * CHANNEL ASSEMBLY - Hatch, inboard left nacelle, outboard right nacelle * CHANNEL ASSEMBLY - Hatch, outboard left nacelle, inboard right nacelle * CHANNEL ASSEMBLY - Hatch, inboard left nacelle, outboard right nacelle	2 2 2	34-7570001 to 34-7870492 incl 34-7570001 to 34-7870492 incl 34-7970001 and up 34-7970001 and up
-9	37474-00 67996-08 37474-00		* COVER ASSEMBLY - Hatch, left * COVER ASSEMBLY - Hatch, left * COVER ASSEMBLY - Hatch, right	1 1 1	
-10	37241-00 37241-09 37241-10	M M	* FIREWALL ASSEMBLY - Nacelle * FIREWALL ASSEMBLY - Nacelle * FIREWALL ASSEMBLY - Nacelle, left	1 1 1	34-7570001 to 34-7870492 incl 34-7970001 and up 34-7970001 and up
-11	95643-06 95643-07 95643-08 95643-09		* BRACKET ASSEMBLY - Main gear truss, left * BRACKET ASSEMBLY - Main gear truss, right * BRACKET ASSEMBLY - Main gear truss, left * BRACKET ASSEMBLY - Main gear truss, right	1 1 1 1	34-7570001 to 34-7670324 incl 34-7570001 to 34-7670324 incl 34-7670325 and up 34-7670325 and up
-12	460 801	W	* *FITTING - Lubricator (MS15001-4)	1	
-13	96032-00 96032-01		* BRACKET - Fuel selector valve, left * BRACKET - Fuel selector valve, right	1 1	
-14	96033-00 96033-01		* CHANNEL ASSEMBLY - Fuel selector valve, left * CHANNEL ASSEMBLY - Fuel selector valve, right	1 1	

When ordering, always specify Part Number, Description and Serial Number of Aircraft

PIPER PARTS CATALOG

Figure and Index Number	Part Number	Code	NOMENCLATURE	No. Req.	SERIAL NUMBERS AFFECTED
2-15	37361-00		* TEE - Wing, inboard	1	
-16	78631-00		* TEE - Wing, center	1	
-17	37361-02		* TEE - Wing, outboard	1	
-18	401 310	W	* BOLT - (AN4-10A)	3	34-7570001 to 34-7670324 incl
	402 899		* BOLT - (NAS464P5LA-9)	3	34-7670325 and up
	407 565	W	* WASHER - (AN960-416)	12	34-7570001 to 34-7670324 incl
	407 566	W	* WASHER - (AN960-516)	12	34-7670325 and up
	404 888	W	* NUT - (MS20365-428C)	3	34-7570001 to 34-7670324 incl
	404 889	W	* NUT - (MS20365-524C)	3	34-7670325 and up
	404 531		* NUT - (MS21042-5)	3	34-7970326 and up
-19	410 078		* SCREW - (MS24694-S105)	2	
	407 565	W	* WASHER - (AN960-416)	4	
	404 888	W	* NUT - (MS20365-428C)	2	
-20	410 047	W	* SCREW - (MS24694-S60)	2	
-21	414 763	W	* SCREW - (MS24693-S50)	52	
	494 101	W	* WASHER - (PS10092-1-2C)	52	
	477 672		* NUT - (MU832- 38- 025/ 050-L-F10)	52	
-22	62109-00		* COVER - Inspection	10	
-23	96381-02		* COVER - Inspection	2	
-24	67164-00		* COVER - Cylinder access, left	1	
	67164-01		* COVER - Cylinder access, right	1	
-25	67723-00		* PLATE ASSEMBLY - Aft wing access, left	1	
	67723-01		* PLATE ASSEMBLY - Aft wing access, right	1	
-26	65773-03		* * MOULDING - Plate, wing root	1	
-27	96926-00		* CHANNEL - Gang (7 0" long)	7	
	406 942		* CHANNEL - Gang (PS10062-2-7) (17 0" long)	7	
	406 940		* CHANNEL - Gang (PS10062-2-3) (24 5" long)	7	
-28	406 927		* CHANNEL - Gang (PS10062-2-2)	8	
-29	63900-20		* BUSHING - Flap hinge, inboard	4	
-30	63900-19		* BUSHING - Flap hinge	12	
-31	401 269	W	* BOLT - (AN3-10A)	6	
	407 564	W	* WASHER - (AN960-10)	6	
	404 887	W	* NUT - (MS20365-1032C)	6	
-32	400 444	W	* BOLT - (AN3-13A)	2	
	407 564	W	* WASHER - (AN960-10)	2	
	404 887	W	* NUT - (MS20365-1032C)	2	
-33	78574-00	H	* VENT ASSEMBLY - Cover, fuel tank, left	1	
	78574-01	H	* VENT ASSEMBLY - Cover, fuel tank, right	1	
	37795-02	J	* VENT ASSEMBLY - Cover, fuel tank, left and right	1	34-7570001, 34-7670114 and up
-34	96929-00		* CHANNEL - Gang, self locking nut assembly	2	
-35	96927-00		* CHANNEL - Gang, self locking nut assembly	2	
-36	419 920	W	* SCREW - (8 x 1/2 L) Type "B"	80	
	406 415		* NUT - (NAS395-16-3)	80	
-37	415 309		* SCREW - (MS27039-0809)	304	
-38	415 312		* SCREW - (MS27039-0812)	60	
-39	415 378		* SCREW - (MS51957-45)	20	
	407 610	W	* WASHER - (AN960-C8)	20	
-40	410 241		* SCREW - (MS24694-S6)	84	
	494 101	W	* WASHER - (PS10092-1-2C)	84	
-41	401 270	W	* BOLT - (AN3-11A)	6	
	407 564	W	* WASHER - (AN960-10)	6	
	404 887	W	* NUT - (MS20365-1032C)	6	
-42	95633-00		* COVER - Main spar	1	
-42a	18457-00	W	* RING - Tie down	1	
-42b	35725-02		* PAD - Jack	1	
-42c	67071-00		* BRACKET - Main gear cylinder, left	1	
	67071-01		* BRACKET - Main gear cylinder, right	1	

When ordering, always specify Part Number, Description and Serial Number of Aircraft

PIPER PARTS CATALOG

Figure and Index Number	Part Number	Code	NOMENCLATURE	No. Req.	SERIAL NUMBERS AFFECTED
2-43	95070-00	D,H	TANK ASSEMBLY - Fuel, outboard, left	1	
	95070-06	D,J	TANK ASSEMBLY - Fuel, outboard, left	1	34-7570001, 34-7670114 and up
	95070-01	D,H	TANK ASSEMBLY - Fuel, outboard, right	1	
	95070-07	D,J	TANK ASSEMBLY - Fuel, outboard, right	1	34-7570001, 34-7670114 and up
-44	95071-00	D,H	TANK ASSEMBLY - Fuel, inboard, left	1	
	95071-06	D,J	TANK ASSEMBLY - Fuel, inboard, left	1	34-7570001, 34-7670114 and up
	95071-01	D,H	TANK ASSEMBLY - Fuel, inboard, right	1	
-45	95071-07	D,J	TANK ASSEMBLY - Fuel, inboard, right	1	34-7570001, 34-7670114 and up
	37283-00	E	AILERON ASSEMBLY - Left	1	
	37283-01	E	AILERON ASSEMBLY - Right	1	
-46	95650-00	F,G	FLAP ASSEMBLY - Left	1	
	37773-02	F	FLAP ASSEMBLY - Left	1	34-7670104 and up
	95650-01	F,G	FLAP ASSEMBLY - Right	1	
	37773-03	F	FLAP ASSEMBLY - Right	1	34-7670104 and up
-47	78022-00		TIP - Wing, left	1	
	78022-01		TIP - Wing, right	1	
-48	37335-02		FAIRING ASSEMBLY - Leading edge inboard, left	1	
	37335-03		FAIRING ASSEMBLY - Leading edge inboard, right	1	
-49	37335-00		FAIRING ASSEMBLY - Nacelle inboard, left	1	
	37335-01		FAIRING ASSEMBLY - Nacelle inboard, right	1	
	37329-06		FAIRING ASSEMBLY - Nacelle outboard, left	1	
	37329-07		FAIRING ASSEMBLY - Nacelle outboard, right	1	
-50	37329-00		FAIRING ASSEMBLY - Leading edge outboard, left	1	
	37329-01		FAIRING ASSEMBLY - Leading edge outboard, right	1	
-51	65773-02		MOULDING - Wing	4	
-52	763 849	L	KIT - Pressure sensitive wing walk installation	1	
-53	79174-02		* WING WALK - Safety, wing, right	1	
-54	79174-04		* WING WALK - Safety, flap	1	
-55	78046-00		* RETAINER - Wing walk	1	
-56	179 872		SAFETY WALK COMPOUND - Black (one quart can)	1	
-57	402 906		BOLT - (NAS464-P6LA14)	8	
	407 567	W	WASHER - (AN960-616)	8	
	494 228		WASHER - (K19301-6)	8	
	406 527		NUT - (H19300-6)	8	
-58	402 910		BOLT - (NAS464-P6LA20)	12	
	407 587	W	WASHER - (AN960-616L)	12	
	407 567	W	WASHER - (AN960-616)	12	
	404 532		NUT - (MS21042-6)	12	
-59	402 903		BOLT - (NAS464-P5LA20)	4	
	407 586	W	WASHER - (AN960-516L)	4	
	407 566	W	WASHER - (AN960-516)	4	
	404 531		NUT - (MS21042-5)	4	
-60	402 911		BOLT - (NAS464-P6LA21)	4	
	407 587	W	WASHER - (AN960-616L)	4	
	96352-03		WASHER	4	
	404 532		NUT - (MS21042-6)	4	
-61	402 904		BOLT - (NAS464-P5LA21)	4	
	407 586	W	WASHER - (AN960-516L)	4	
	96352-02		WASHER	4	
	404 531		NUT - (MS21042-5)	4	
-62	402 914		BOLT - (NAS464-P5LA15)	2	
	407 586	W	WASHER - (AN960-516L)	2	
	407 566	W	WASHER - (AN960-516)	2	
	404 531		NUT - (MS21042-5)	2	

When ordering, always specify Part Number, Description and Serial Number of Aircraft

PIPER PARTS CATALOG

Figure and Index Number	Part Number	Code	NOMENCLATURE	No. Req.	SERIAL NUMBERS AFFECTED
2-63	402 915		BOLT - (NAS464-P6LA6)	2	
	407 587	W	WASHER - (AN960-616L)	2	
	407 567	W	WASHER - (AN960-616)	4	
	404 532		NUT - (MS21042-6)	2	
-64	402 909		BOLT - (NAS464-P6LA17)	2	
	406 567	W	WASHER - (AN960-616)	4	
	404 532		NUT - (MS21042-6)	2	
-65	35664-02		PLACARD - Flap warning	1	
-66	63942-00		COVER - Wing bolt, left	1	
	63942-01		COVER - Wing bolt, right	1	
-67	402 908		BOLT - (NAS464-P6LA16)	8	
	407 567	W	WASHER - (AN960-616)	16	
	404 532		NUT - (MS21042-6)	8	
-68	402 907		BOLT - (NAS464-P6LA15)	2	
	407 587	W	WASHER - (AN960-616L)	2	
	494 228		WASHER - (K19301-6)	2	
	406 527		NUT - (H19300-6)	2	
-69	87341-04		PLACARD - No step	2	
-70	78022-14	N	STIFFENER - Wing tip, upper, left	1	
	78022-15	N	STIFFENER - Wing tip, upper, right	1	
-71	78022-20	N	STIFFENER - Wing tip, lower, left	1	
	78022-23	N	STIFFENER - Wing tip, lower, right	1	

When ordering, always specify Part Number, Description and Serial Number of Aircraft

PIPER PARTS CATALOG

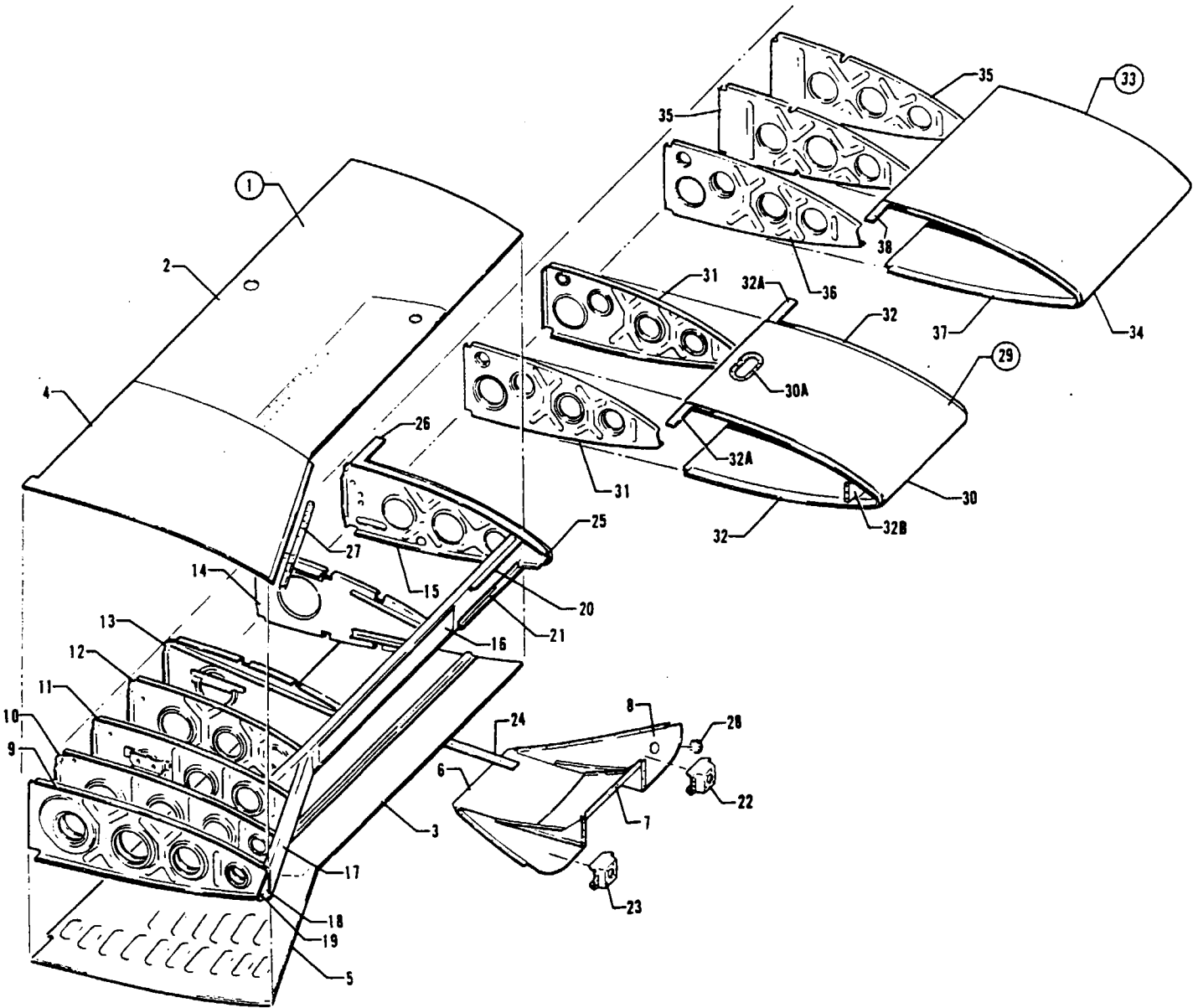


Figure 3. Wing Leading Edge Assembly

REVISED: DECEMBER 1975

1A18

PA-34-200T

PIPER PARTS CATALOG

CODE EXPLANATIONS FOR FIGURE 3

- A - Used if optional center fuel cell is not installed.
- B - Used if optional center fuel cell is installed.

PIPER PARTS CATALOG

Figure and Index Number	Part Number	Code	NOMENCLATURE	No. Req.	SERIAL NUMBERS AFFECTED
3-1	37021-00		LEADING EDGE ASSEMBLY - Wing, inboard, left	1	
	37021-01		LEADING EDGE ASSEMBLY - Wing, inboard, right	1	
-2	37402-00		SKIN ASSEMBLY - Leading edge, top, inboard, left	1	
	37402-01		SKIN ASSEMBLY - Leading edge, top, inboard, right	1	
-3	37398-00		SKIN ASSEMBLY - Leading edge, bottom, inboard, left	1	
	37398-01		SKIN ASSEMBLY - Leading edge, bottom, inboard, right	1	
-4	95095-00		SKIN ASSEMBLY - Leading edge root, top, left	1	
	95095-01		SKIN ASSEMBLY - Leading edge root, top, right	1	
-5	95098-00		SKIN ASSEMBLY - Leading edge root, bottom, left	1	
	95098-01		SKIN ASSEMBLY - Leading edge root, bottom, right	1	
-6	37360-00		SHROUD - Aft cowl flap, left	1	
	37360-01		SHROUD - Aft cowl flap, right	1	
-7	37172-00		SHROUD - Forward cowl flap, left	1	
	37172-01		SHROUD - Forward cowl flap, right	1	
-8	37359-03		FAIRING - Left wing outboard, right wing inboard	1	
	37359-02		FAIRING - Right wing outboard, left wing inboard	1	
-9	95640-00		RIB ASSEMBLY - Leading edge root, left	1	
	95640-01		RIB ASSEMBLY - Leading edge root, right	1	
-10	95383-00		RIB ASSEMBLY - Nose, Sta. 32.15, left	1	
	95383-01		RIB ASSEMBLY - Nose, Sta. 32.15, right	1	
-11	95382-00		RIB ASSEMBLY - Nose, Sta. 41.00, left	1	
	95382-01		RIB ASSEMBLY - Nose, Sta. 41.00, right	1	
-12	95028-00		RIB - Nose, Sta. 50.05, left	1	
	95028-01		RIB - Nose, Sta. 50.05, right	1	
-13	37448-00		RIB ASSEMBLY - Nose, Sta. 60.12, left	1	
	37448-01		RIB ASSEMBLY - Nose, Sta. 60.12, right	1	
-14	37449-00		RIB ASSEMBLY - Nose, Sta. 82.92, left	1	
	37449-01		RIB ASSEMBLY - Nose, Sta. 82.92, right	1	
-15	62022-04		RIB - Nose, Sta. 107.19, left	1	
	62022-05		RIB - Nose, Sta. 107.19, right	1	
-16	37445-00		SPAR ASSEMBLY - Leading edge inboard, left	1	
	37445-01		SPAR ASSEMBLY - Leading edge inboard, right	1	
-17	95022-00		SPAR ASSEMBLY - Leading edge root, left	1	
	95022-01		SPAR ASSEMBLY - Leading edge root, right	1	
-18	95033-00		FITTING ASSEMBLY - Leading edge spar, left	1	
	95033-01		FITTING ASSEMBLY - Leading edge spar, right	1	
-19	95061-04		BUSHING - Spar fitting	1	
-20	95697-00		SUPPORT ASSEMBLY - Outboard fairing, top	1	
-21	37394-00		SUPPORT ASSEMBLY - Outboard fairing, bottom	1	
-22	37437-00		FITTING ASSEMBLY - Engine mount, lower outboard, left	1	
	37437-01		FITTING ASSEMBLY - Engine mount, lower outboard, right	1	
-23	37442-00		FITTING ASSEMBLY - Engine mount, lower inboard, left	1	
	37442-01		FITTING ASSEMBLY - Engine mount, lower inboard, right	1	
-24	78624-00		STRAP - Wing, Sta. 69.24	1	
-25	62091-02		STRAP - Fuel tank attachment	1	
-26	96844-02		SPACER - Wing	1	
-27	406 618		CHANNEL - Gang (NAS688P20-11)	1	
-28	453 724		PLUG - (SS-50834R-K2915)	2	
-29	95614-06	A	LEADING EDGE ASSEMBLY - Wing, intertank, left	1	
	37770-02	B	LEADING EDGE ASSEMBLY - Wing, intertank, left	1	34-7570001, 34-7670114 and up
	95614-01	A	LEADING EDGE ASSEMBLY - Wing, intertank, right	1	
	37770-03	B	LEADING EDGE ASSEMBLY - Wing, intertank, right	1	34-7570001, 34-7670114 and up
-30	95614-02	A	SKIN - Intertank, left	1	
	95614-03	A	SKIN - Intertank, right	1	
	37766-02	B	SKIN ASSEMBLY - Intertank, left	1	34-7570001, 34-7670114 and up
	37766-03	B	SKIN ASSEMBLY - Intertank, right	1	34-7570001, 34-7670114 and up
-30a	37787-02	B	DOUBLER - Access hole	1	34-7570001, 34-7670114 and up

When ordering, always specify Part Number, Description and Serial Number of Aircraft

PIPER PARTS CATALOG

Figure and Index Number	Part Number	Code	NOMENCLATURE	No. Req.	SERIAL NUMBERS AFFECTED
3-31	95619-02		RIB - Nose, left outboard, right inboard	1	
	95619-03		RIB - Nose, left inboard, right outboard	1	
-32	95628-00		STRAP - Fuel tank attachment	2	
-32a	96844-00		SPACER - Wing	2	
-32b	37741-02	B	SUPPORT - False spar	1	34-7570001, 34-7670114 and up
-33	37023-00		LEADING EDGE ASSEMBLY - Wing, outboard, left	1	
	37023-01		LEADING EDGE ASSEMBLY - Wing, outboard, right	1	
-34	37023-02		SKIN - Leading edge outboard, left	1	
	37023-03		SKIN - Leading edge outboard, right	1	
-35	62024-00		RIB - Nose, Sta. 208.33 and Sta. 222.19, left	2	
	62024-01		RIB - Nose, Sta. 208.33 and Sta. 222.19, right	2	
-36	95619-03		RIB - Nose, Sta. 193.18, left	1	
	95619-02		RIB - Nose, Sta. 193.18, right	1	
-37	95628-00		STRAP - Fuel tank attachment	1	
-38	96844-00		SPACER - Wing	1	

When ordering, always specify Part Number, Description and Serial Number of Aircraft

1A22 THRU 1A24
INTENTIONALLY LEFT BLANK

PIPER PARTS CATALOG

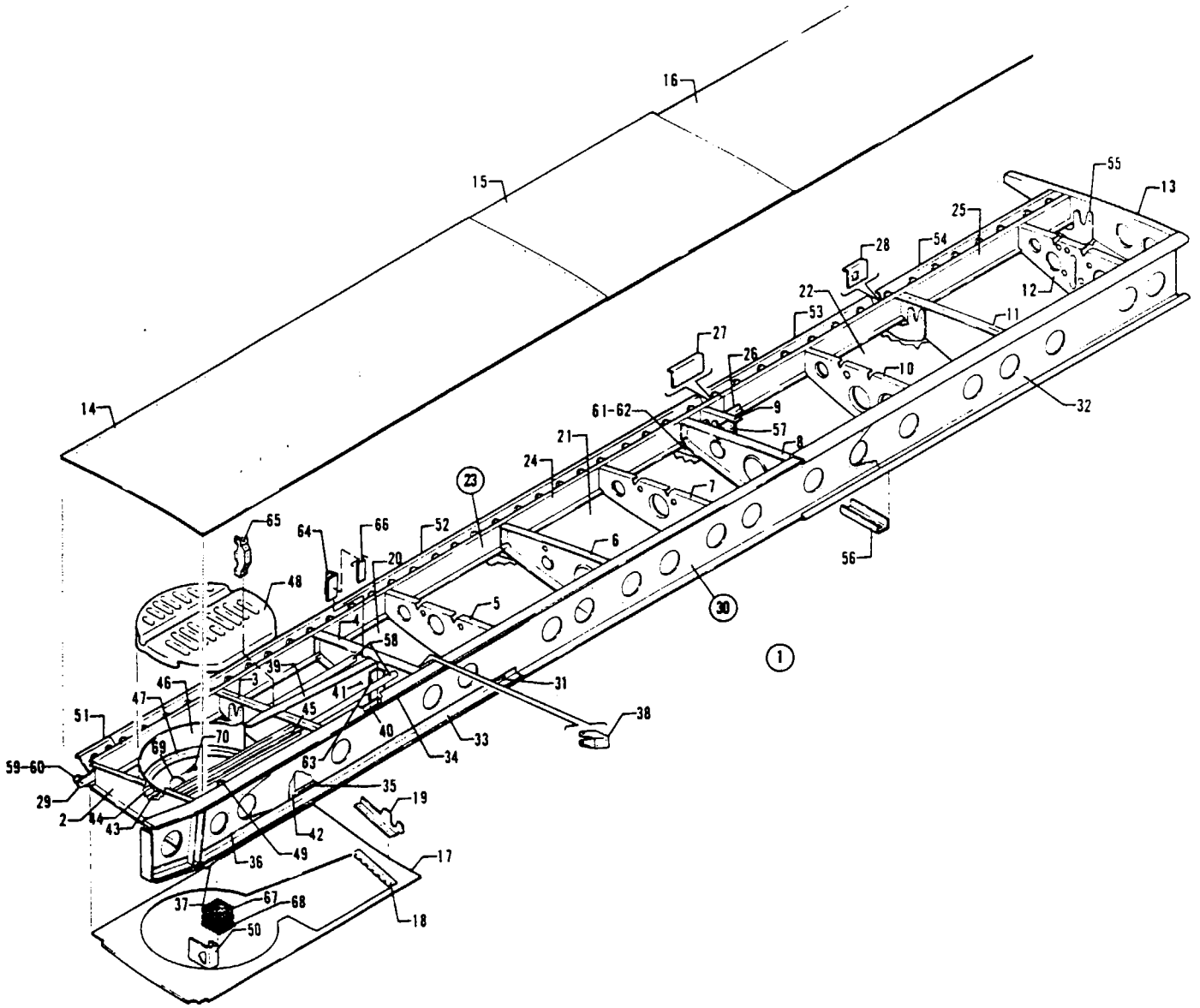


Figure 4 Wing Trailing Edge Assembly

PIPER PARTS CATALOG

CODE EXPLANATIONS FOR FIGURE 4

W - These parts must be ordered from Service Spares Department, Piper Aircraft, Lock Haven, Penna.

PIPER PARTS CATALOG

Figure and Index Number	Part Number	Code	NOMENCLATURE	No. Req.	SERIAL NUMBERS AFFECTED
4-1	37304-00		TRAILING EDGE ASSEMBLY - Wing, left	1	
	37304-01		TRAILING EDGE ASSEMBLY - Wing, right	1	
-2	95636-00		RIB - Aft, Sta. 24.24, left	1	
	95636-01		RIB - Aft, Sta. 24.24, right	1	
-3	78475-04		RIB ASSEMBLY - Aft, Sta. 49.25, left	1	
	78475-05		RIB ASSEMBLY - Aft, Sta. 49.25, right	1	
-4	78559-00		RIB ASSEMBLY - Aft, Sta. 69.24, left	1	
	78559-01		RIB ASSEMBLY - Aft, Sta. 69.24, right	1	
-5	37389-00		RIB - Aft, Sta. 82.92, left	1	
	37389-01		RIB - Aft, Sta. 82.92, right	1	
-6	37353-00		RIB - Aft, Sta. 106.19, left	1	
	37353-01		RIB - Aft, Sta. 106.19, right	1	
-7	37433-00		RIB - Aft, Sta. 124.68, left	1	
	37433-01		RIB - Aft, Sta. 124.68, right	1	
-8	37352-00		RIB - Aft, Sta. 143.17, left	1	
	37352-01		RIB - Aft, Sta. 143.17, right	1	
-9	37314-00		RIB - Aft, Sta. 145.28, left	1	
	37314-01		RIB - Aft, Sta. 145.28, right	1	
-10	37388-00		RIB - Aft, Sta. 164.72, left	1	
	37388-01		RIB - Aft, Sta. 164.72, right	1	
-11	37319-00		RIB ASSEMBLY - Aft, Sta. 183.98, left	1	
	37319-01		RIB ASSEMBLY - Aft, Sta. 183.98, right	1	
-12	66598-00		RIB - Aft, Sta. 208.33, left	1	
	66598-01		RIB - Aft, Sta. 208.33, right	1	
-13	37451-00		RIB - Aft, Sta. 221.49, tip, left	1	
	37451-01		RIB - Aft, Sta. 221.49, tip, right	1	
-14	78622-00		SKIN ASSEMBLY - Aft, top, inboard, left	1	
	78622-01		SKIN ASSEMBLY - Aft, top, inboard, right	1	
-15	95623-05		SKIN ASSEMBLY - Aft, top, center, left	1	
	95623-06		SKIN ASSEMBLY - Aft, top, center, right	1	
-16	37305-00		SKIN ASSEMBLY - Aft, top, outboard, left	1	
	37305-01		SKIN ASSEMBLY - Aft, top, outboard, right	1	
-17	78615-00		SKIN ASSEMBLY - Aft, bottom, inboard, left	1	
	78615-01		SKIN ASSEMBLY - Aft, bottom, inboard, right	1	
-18	67095-00		HINGE - Half, main gear door, left	1	
	67095-01		HINGE - Half, main gear door, right	1	
-19	95668-00		BRACKET - Main gear up switch, left	1	
	95668-01		BRACKET - Main gear up switch, right	1	
-20	78619-00		SKIN ASSEMBLY - Aft, bottom, center, inboard, left	1	
	78619-01		SKIN ASSEMBLY - Aft, bottom, center, inboard, right	1	
-21	95621-05		SKIN ASSEMBLY - Aft, bottom, center, outboard, left	1	
	95621-06		SKIN ASSEMBLY - Aft, bottom, center, outboard, right	1	
-22	37309-00		SKIN ASSEMBLY - Aft, bottom, outboard, left	1	
	37309-01		SKIN ASSEMBLY - Aft, bottom, outboard, right	1	
-23	37315-00		SPAR ASSEMBLY - Aft, left	1	
	37315-01		SPAR ASSEMBLY - Aft, right	1	
-24	95627-02		SPAR - Aft, inboard	1	
-25	37316-00		SPAR - Aft, outboard, left	1	
	37316-01		SPAR - Aft, outboard, right	1	
-26	37318-00		DOUBLER - Aft spar, forward	1	
-27	37317-00		DOUBLER - Aft spar, rear	1	
-28	37191-00		DOUBLER - Aft spar, Sta. 182.50, left	1	
	37191-01		DOUBLER - Aft spar, Sta. 182.50, right	1	
-29	66762-00		PLATE - Aft spar	1	

When ordering, always specify Part Number, Description and Serial Number of Aircraft

PIPER PARTS CATALOG

Figure and Index Number	Part Number	Code	NOMENCLATURE	No. Req.	SERIAL NUMBERS AFFECTED
4-30	37027-00		SPAR ASSEMBLY - Main, left	1	
	37027-01		SPAR ASSEMBLY - Main, right	1	
-31	66529-00		CHANNEL - Gang	1	
-32	37102-00		SPAR - Main, outboard, left	1	
	37102-01		SPAR - Main, outboard, right	1	
-33	95612-00		ANGLE - Lower, forward, left	1	
	95612-01		ANGLE - Lower, forward, right	1	
-34	95613-00		ANGLE - Upper, forward, left	1	
	95613-01		ANGLE - Upper, forward, right	1	
-35	96004-00		ANGLE - Lower, aft, left	1	
	96004-01		ANGLE - Lower, aft, right	1	
-36	95626-00		DOUBLER - Forward, left	1	
	95626-01		DOUBLER - Aft, left	1	
	95626-01		DOUBLER - Forward, right	1	
	95626-00		DOUBLER - Aft, right	1	
-37	96005-00		STRAP - Main spar, bottom, left	1	
	96005-01		STRAP - Main spar, bottom, right	1	
-38	95666-00		BRACKET ASSEMBLY - Pulley, left	1	
	95666-01		BRACKET ASSEMBLY - Pulley, right	1	
-39	67097-02		CAP - False spar, top, left	1	
	67097-03		CAP - False spar, top, right	1	
-40	67689-02		CAP - False spar, bottom, left	1	
	67689-03		CAP - False spar, bottom, right	1	
-41	67079-00		WEB - False spar, left	1	
	67079-01		WEB - False spar, right	1	
-42	96308-00		BRACKET - Wheel well, left	1	
	96308-01		BRACKET - Wheel well, right	1	
-43	67677-02		BRACKET - Pulley, left	1	
	67677-03		BRACKET - Pulley, right	1	
-44	96459-00		BRACKET ASSEMBLY - Pulley, left	1	
	96459-01		BRACKET ASSEMBLY - Pulley, right	1	
-45	67670-00		COVER - Control cable, left	1	
	67670-01		COVER - Control cable, right	1	
-46	67694-00		WEB - Wheel well	1	
-47	67687-00		ANGLE - Wheel well, left	1	
	67687-01		ANGLE - Wheel well, right	1	
-48	67673-00		PAN - Wheel well	1	
-49	95618-04		ZEE ASSEMBLY - Wheel well, left	1	
	95618-05		ZEE ASSEMBLY - Wheel well, right	1	
-50	78309-00		SUPPORT - Hydraulic lines, left	1	
	78309-01		SUPPORT - Hydraulic lines, right	1	
-51	62129-08		STIFFENER - Inboard, left	1	
	62129-07		STIFFENER - Inboard, right	1	
-52	37366-00		STIFFENER - Center inboard, left	1	
	37366-01		STIFFENER - Center inboard, right	1	
-53	37378-00		STIFFENER - Center outboard, left	1	
	37378-01		STIFFENER - Center outboard, right	1	
-54	37378-02		STIFFENER - Outboard, left	1	
	37378-03		STIFFENER - Outboard, right	1	
-55	37214-00		HINGE - Aileron fitting	3	
-56	37362-00		DOUBLER - Pitot static head, left	1	
-57	37364-00		CHANNEL - Aft wing	1	

When ordering, always specify Part Number, Description and Serial Number of Aircraft

PIPER PARTS CATALOG

Figure and Index Number	Part Number	Code	NOMENCLATURE	No. Req.	SERIAL NUMBERS AFFECTED
4-58	63904-24		* HOSE - Plastic	2	
-59	65898-00		* SUPPORT ASSEMBLY - Flap, inboard, left	1	
	65898-01		* SUPPORT ASSEMBLY - Flap, inboard, right	1	
-60	452 387		* * BEARING - (KP3A)	1	
-61	65898-04		* SUPPORT ASSEMBLY - Flap	3	
-62	452 387		* * BEARING - (KP3A)	1	
-63	37487-00		* ANGLE - False spar	1	
-64	78159-00		* ANGLE - Aft rib	1	
-65	67065-00		* ANGLE - False spar	1	
-66	68817-35		* PLATE - False spar	1	
-67	63078-34		* PAD - Bumper, rubber (3" x 3")	2	
-68	63078-35		* PAD - Bumper, rubber (2" x 2")	1	
-69	96625-00		COVER - Inspection, wheel well web	2	
-70	419 920	W	SCREW - (8 x 1/2 L) Type "B"	18	
	406 415		NUT - (NAS395-16-3)	18	

When ordering, always specify Part Number, Description and Serial Number of Aircraft

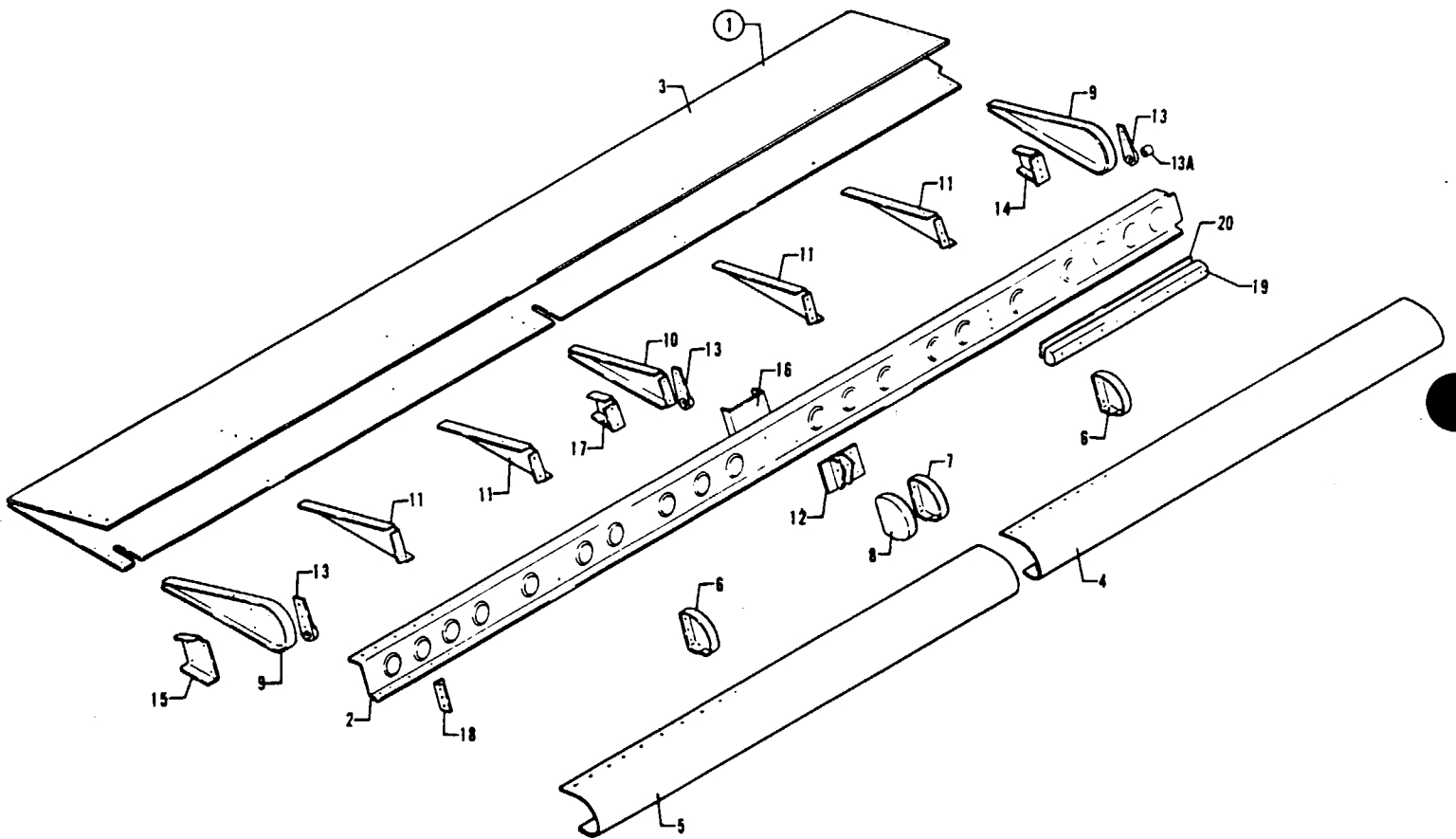


Figure 5 Aileron Assembly

REVISED AUGUST 1980

PA-34-200T

PIPER PARTS CATALOG

CODE EXPLANATIONS FOR FIGURE 5

W - These parts must be ordered from Service Spares Department, Piper Aircraft, Lock Haven, Penna

PIPER PARTS CATALOG

Figure and Index Number	Part Number	Code	NOMENCLATURE	No. Req.	SERIAL NUMBERS AFFECTED
5-1	37283-00		AILERON ASSEMBLY - Left	1	
	37283-01		AILERON ASSEMBLY - Right	1	
-2	37264-00		* SPAR - Aileron, left	1	
	37264-01		* SPAR - Aileron, right	1	
-3	37282-00		* SKIN - Aileron, left	1	
	37282-01		* SKIN - Aileron, right	1	
-4	37271-00		* SKIN - Nose, outboard, left	1	
	37271-01		* SKIN - Nose, outboard, right	1	
-5	37272-00		* SKIN - Nose, inboard, left	1	
	37272-01		* SKIN - Nose, inboard, right	1	
-6	37266-01		* RIB - Nose, left	2	
	37266-00		* RIB - Nose, right	2	
-7	37267-01		* RIB - Nose, outboard, left	1	
	37267-00		* RIB - Nose, outboard, right	1	
-8	37267-00		* RIB - Nose, inboard, left	1	
	37267-01		* RIB - Nose, inboard, right	1	
-9	37278-00		* RIB - Aileron, left	2	
	37278-01		* RIB - Aileron, right	2	
-10	37279-00		* RIB - Aileron, left	1	
	37279-01		* RIB - Aileron, right	1	
-11	37408-00		* RIB - Aileron, left	4	
	37408-01		* RIB - Aileron, right	4	
-12	37174-00		* FITTING - Aileron actuator, left	1	
	37174-01		* FITTING - Aileron actuator, right	1	
-13	37210-00		* FITTING ASSEMBLY - Aileron hinge	3	
-13a	452 584	W	* * BEARING - (PS10020-7-3)	1	
-14	37268-00		* DOUBLER - Aileron, left	1	
	37268-01		* DOUBLER - Aileron, right	1	
-15	37269-00		* DOUBLER - Aileron, left	1	
	37269-01		* DOUBLER - Aileron, right	1	
-16	37462-00		* DOUBLER - Aileron	1	
-17	37268-02		* DOUBLER - Aileron, left	1	
	37268-03		* DOUBLER - Aileron, right	1	
-18	37277-00		* ANGLE - Aileron	1	
-19	37281-00		* WEIGHT - Aileron balance (5.50 lbs)	1	
	37281-02		* WEIGHT - Aileron balance (1.10 lbs.)	1	
-20	37280-00		* RETAINER ASSEMBLY - Balance weight (17" long)	1	
	37280-05		* RETAINER ASSEMBLY - Balance weight (3 37" long)	1	

When ordering, always specify Part Number, Description and Serial Number of Aircraft

PIPER PARTS CATALOG

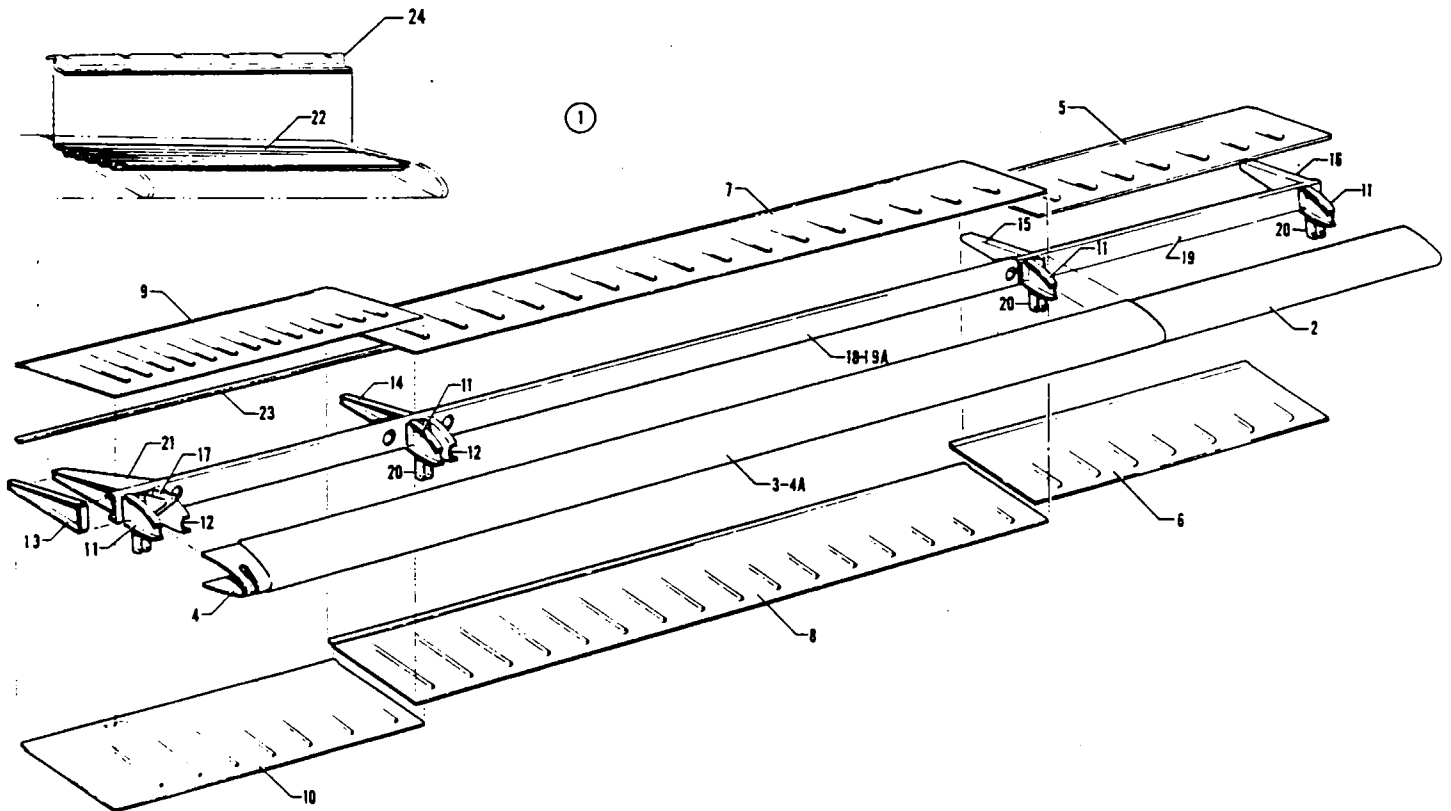


Figure 6. Flap Assembly

REVISED: MARCH 1980

PA-34-200T

PIPER PARTS CATALOG

CODE EXPLANATIONS FOR FIGURE 6

- A - Used on aircraft with serial numbers 34-7570001 to 34-7670103 inclusive. If Flap Assembly 95650-00 or 95650-01 has been replaced with 37773-02 or 37773-03, order same part number stamped on identification plate, located on the outboard rib.
- B - Used with Flap Assembly 95650-00 and 95650-01 only.
- C - Used with Flap Assembly 37773-02 and 37773-03 only.

PIPER PARTS CATALOG

Figure and Index Number	Part Number	Code	NOMENCLATURE	No. Req.	SERIAL NUMBERS AFFECTED
6-1	95650-00	A	FLAP ASSEMBLY - Left	1	
	95650-01	A	FLAP ASSEMBLY - Right	1	
	37773-02		FLAP ASSEMBLY - Left	1	34-7670104 and up
	37773-03		FLAP ASSEMBLY - Right	1	34-7670104 and up
-2	95651-00	B	* SKIN - Flap, nose, left, outboard	1	
	95651-01	B	* SKIN - Flap, nose, right, outboard	1	
-3	65586-00	B	* SKIN - Flap, nose, left, center	1	
	65586-01	B	* SKIN - Flap, nose, right, center	1	
-4	62127-00	B	* SKIN - Flap, nose, left, inboard	1	
	62127-01	B	* SKIN - Flap, nose, right, inboard	1	
-4a	65586-02	C	* SKIN - Flap, nose, left, complete length	1	
	65586-03	C	* SKIN - Flap, nose, right, complete length	1	
-5	95654-00		* SKIN - Flap, top, left and right, outboard	1	
-6	95653-00		* SKIN - Flap, bottom, left and right, outboard	1	
-7	65589-00		* SKIN - Flap, top, left and right, center	1	
-8	65588-00		* SKIN - Flap, bottom, left and right, center	1	
-9	65594-00	B	* SKIN - Flap, top, left, inboard	1	
	65587-00	C	* SKIN - Flap, top, left, inboard	1	
	65594-01		* SKIN - Flap, top, right, inboard	1	
-10	65592-00		* SKIN - Flap, bottom, left, inboard	1	
	65592-01		* SKIN - Flap, bottom, right, inboard	1	
-11	62328-00		* RIB - Flap, nose, left	4	
	62328-01		* RIB - Flap, nose, right	4	
-12	62328-01		* RIB - Flap, nose, left	2	
	62328-00		* RIB - Flap, nose, right	2	
-13	62331-00		* RIB - Flap, aft, left	1	
	62331-01		* RIB - Flap, aft, right	1	
-14	62332-02		* RIB - Flap, aft, left	1	
	62332-00		* RIB - Flap, aft, right	1	
-15	95660-00	B	* RIB - Flap, aft, left	1	
	95660-02	C	* RIB - Flap, aft, left	1	
	95660-01	B	* RIB - Flap, aft, right	1	
	95660-03	C	* RIB - Flap, aft, right	1	
-16	95660-02		* RIB - Flap, aft, left	1	
	95660-03		* RIB - Flap, aft, right	1	
-17	62324-00		* HINGE - Flap, inboard, left	1	
	62324-01		* HINGE - Flap, inboard, right	1	
-18	62327-00	B	* SPAR - Flap, left and right, inboard	1	
-19	95652-00	B	* SPAR - Flap, left and right, outboard	1	
-19a	62327-02	C	* SPAR - Flap, complete length	1	
-20	65899-00		* BRACKET - Flap hinge	3	
-21	62336-04		* DOUBLER ASSEMBLY - Left	1	
	62336-01		* DOUBLER ASSEMBLY - Right	1	
-22	65593-00	B	* CORRUGATION - Flap, left, inboard	1	
	65593-01		* CORRUGATION - Flap, right, inboard	1	
-23	37773-04		* STRIP - Flap, rear edge	1	
-24	65595-00	B	* ZEE - Flap, inboard left	1	
	65595-01		* ZEE - Flap, inboard right	1	

When ordering, always specify Part Number, Description and Serial Number of Aircraft

PIPER PARTS CATALOG

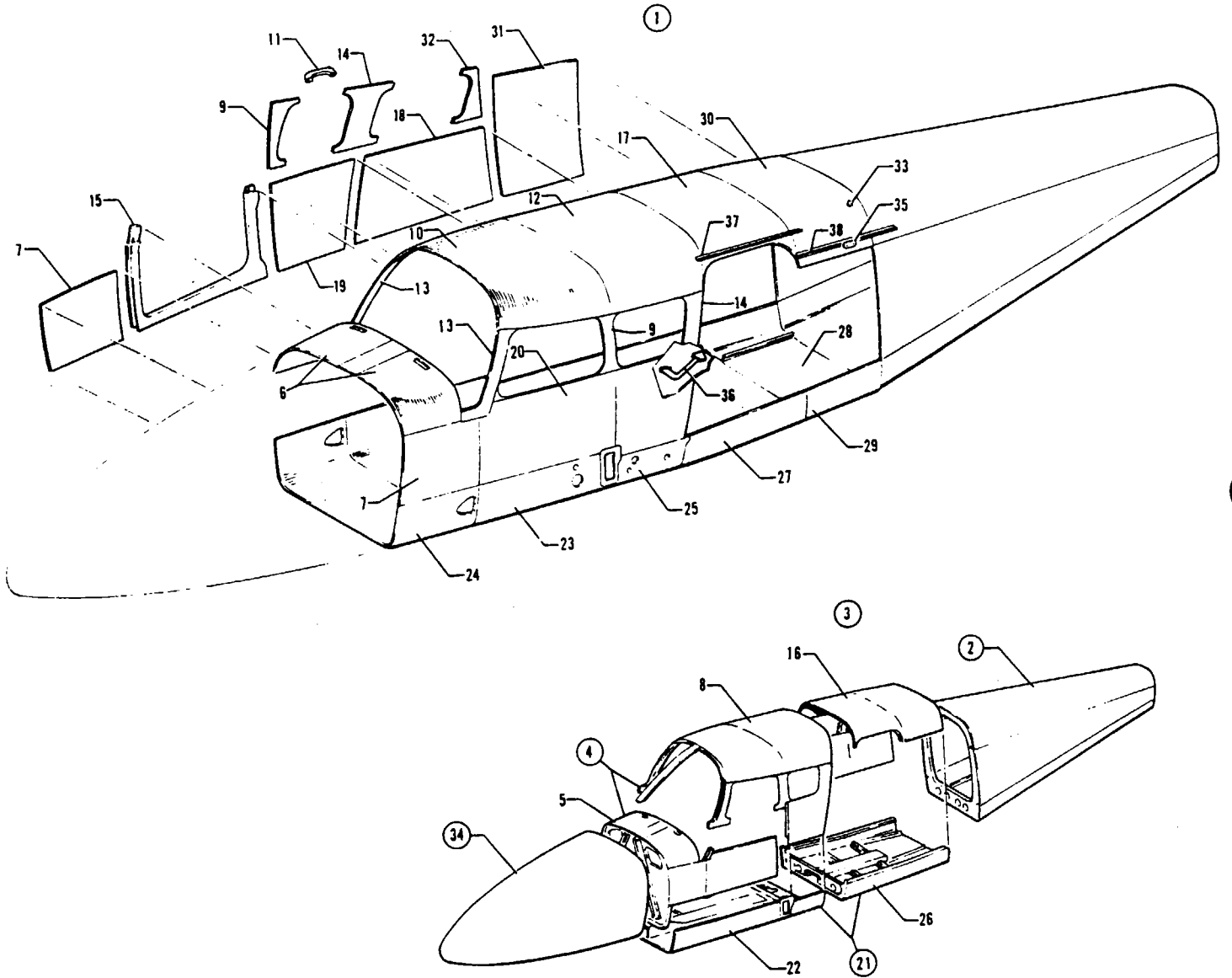


Figure 7. Fuselage Assembly - Complete

REVISED: MARCH 1980

1B12

PA-34-200T

PIPER PARTS CATALOG

CODE EXPLANATIONS FOR FIGURE 7

- A - See Figure 14 for component parts
- B - See Figure 8 for component parts
- C - See Figure 9 for balance of component parts
- D - See Figure 10 for balance of component parts
- E - See Figure 11 for balance of component parts
- F - See Figure 12 for balance of component parts
- G - See Figure 13 for balance of component parts
- W - These parts must be ordered from Service Spares Department, Piper Aircraft, Lock Haven, Penna

PIPER PARTS CATALOG

Figure and Index Number	Part Number	Code	NOMENCLATURE	No. Req.	SERIAL NUMBERS AFFECTED
7-	95101 37647		DRAWING - Fuselage Assembly (Complete) DRAWING - Fuselage Assembly (Complete)		34-7570001 to 34-7670063 incl 34-7670064 and up
-1	95101-10 37647-00 37647-02		FUSELAGE ASSEMBLY FUSELAGE ASSEMBLY FUSELAGE ASSEMBLY	1 1 1	34-7570001 to 34-7670063 incl 34-7670064 to 34-7670393 incl 34-7770001 and up
-2	95887-10 37647-904	A A	* AFT SECTION - Fuselage * AFT SECTION - Fuselage	1 1	34-7570001 to 34-7670063 incl 34-7670064 and up
-3	69711-02 37647-903 37647-923		* COCKPIT ASSEMBLY - Fuselage * COCKPIT ASSEMBLY - Fuselage * COCKPIT ASSEMBLY - Fuselage	1 1 1	34-7570001 to 34-7670063 incl 34-7670064 to 34-7670393 incl 34-7770001 and up
-4	95103-09 37647-908		** COCKPIT ASSEMBLY - Fuselage upper ** COCKPIT ASSEMBLY - Fuselage upper	1 1	34-7570001 to 34-7670063 incl 34-7670064 and up
-5	95120-12 37647-909	C C	*** UPPER COCKPIT ASSEMBLY - Forward *** UPPER COCKPIT ASSEMBLY - Forward	1 1	34-7570001 to 34-7670063 incl 34-7670064 and up
-6	69895-04 69895-902 69895-05 69895-903		**** SKIN - Top front, left **** SKIN - Top front, left **** SKIN - Top front, right **** SKIN - Top front, right	1 1 1 1	34-7570001 to 34-7670063 incl 34-7670064 and up 34-7570001 to 34-7670063 incl 34-7670064 and up
-7	95120-02 79563-906 95120-03 79563-903		**** SKIN - Side, left **** SKIN - Side, left **** SKIN - Side, right **** SKIN - Side, right	1 1 1 1	34-7570001 to 34-7670063 incl 34-7670064 and up 34-7570001 to 34-7670063 incl 34-7670064 and up
-8	69699-00 37647-910	D D	*** UPPER COCKPIT ASSEMBLY - Center *** UPPER COCKPIT ASSEMBLY - Center	1 1	34-7570001 to 34-7670063 incl 34-7670064 and up
-9	69691-00 69694-00		**** SKIN - Window trim, left side, center **** SKIN - Window trim, right side, center	1 1	
-10	69899-00 69899-900		**** SKIN - Top, forward **** SKIN - Top, forward	1 1	34-7570001 to 34-7670063 incl 34-7670064 and up
-11	66537-00 481 772	W	** HANDLE - (464 036) ** HANDLE - (N12865)	1 1	34-7570001 to 34-7570172 incl. 34-7570173 and up
-12	69902-00 69902-900		** SKIN - Top, aft ** SKIN - Top, aft	1 1	34-7570001 to 34-7670063 incl 34-7670064 and up
-13	76255-00 62420-11 79561-03		** SKIN - Window trim, left side, forward ** SKIN - Window trim, right side, forward ** SKIN - Window trim, right side, forward	1 1 1	34-7570001 to 34-7670063 incl 34-7670064 and up
-14	69692-00 69695-00		** SKIN - Window trim, left side, aft ** SKIN - Window trim, right side, aft	1 1	
-15	62510-00 79547-00		** PAN ASSEMBLY - Lower, upper cockpit ** PAN ASSEMBLY - Lower, upper cockpit	1 1	34-7570001 to 34-7670063 incl 34-7670064 and up
-16	69104-06 37647-911	E E	** UPPER COCKPIT ASSEMBLY - Aft ** UPPER COCKPIT ASSEMBLY - Aft	1 1	34-7570001 to 34-7670063 incl 34-7670064 and up
-17	69903-00 69903-900		**** SKIN - Top, forward **** SKIN - Top, forward	1 1	34-7570001 to 34-7670063 incl. 34-7670064 and up

When ordering, always specify Part Number, Description and Serial Number of Aircraft

PIPER PARTS CATALOG

Figure and Index Number	Part Number	Code	NOMENCLATURE	No. Req.	SERIAL NUMBERS AFFECTED
7-18	69911-00		*** SKIN - Side, right, forward	1	34-7570001 to 34-7670063 incl
	69911-900		*** SKIN - Side, right, forward	1	34-7670064 and up
-19	69907-00		*** SKIN - Side, left	1	34-7570001 to 34-7670063 incl
	69907-900		*** SKIN - Side, left	1	34-7670064 and up
	69907-01		*** SKIN - Side, right	1	34-7570001 to 34-7670063 incl
	69907-903		*** SKIN - Side, right	1	34-7670064 and up
-20	76474-03		** SKIN - Side, left rear	1	34-7570001 to 34-7670063 incl
	76474-903		** SKIN - Side, left rear	1	34-7670064 and up
-21	95104-07		** COCKPIT ASSEMBLY - Fuselage lower	1	34-7570001 to 34-7670063 incl
	37647-905		** COCKPIT ASSEMBLY - Fuselage lower	1	34-7670064 and up
-22	95160-10	F	*** LOWER COCKPIT ASSEMBLY - Forward	1	34-7570001 to 34-7670063 incl.
	37647-906	F	*** LOWER COCKPIT ASSEMBLY - Forward	1	34-7670064 and up
-23	95160-11		**** SKIN - Bottom	1	34-7570001 to 34-7670063 incl
	37738-900		**** SKIN - Bottom	1	34-7670064 and up
-24	37737-00		**** SKIN - Bottom	1	34-7570001 to 34-7670063 incl
	37737-900		**** SKIN - Bottom	1	34-7670064 and up
-25	95160-12		**** SKIN - Bottom	1	34-7670001 to 34-7670063 incl
	37739-900		**** SKIN - Bottom	1	34-7670064 and up
-26	68601-15	G	*** LOWER COCKPIT ASSEMBLY - Aft	1	34-7670001 to 34-7670063 incl
	37647-907	G	*** LOWER COCKPIT ASSEMBLY - Aft	1	34-7670064 to 34-7670393 incl.
	37647-927	G	*** LOWER COCKPIT ASSEMBLY - Aft	1	34-7770001 and up
-27	69898-00		**** SKIN - Bottom	1	34-7570001 to 34-7670063 incl
	69898-900		**** SKIN - Bottom	1	34-7670064 and up
-28	69897-00		**** SKIN - Bottom	1	34-7670001 to 34-7670063 incl
	69897-900		**** SKIN - Bottom	1	34-7670064 and up
-29	68602-00		**** SKIN - Bottom, left	1	
	68602-01		**** SKIN - Bottom, right	1	
-30	69904-00		** SKIN - Top, aft	1	
-31	69912-00		** SKIN - Side, right, aft	1	
-32	69696-00		** SKIN - Window trim, right side, aft	1	
-33	487 674		** STUD - Cargo door strap (XX16362)	1	
-34	95700-00	B	** CONE ASSEMBLY - Nose (complete)	1	
-35	453 741		BUMPER - Cargo door (1152)	1	
-36	68014-00		STEP ASSEMBLY	1	
-37	69881-03		GUTTER - Aft cabin door	1	
-38	69881-02		GUTTER - Cargo door	1	

When ordering, always specify Part Number, Description and Serial Number of Aircraft

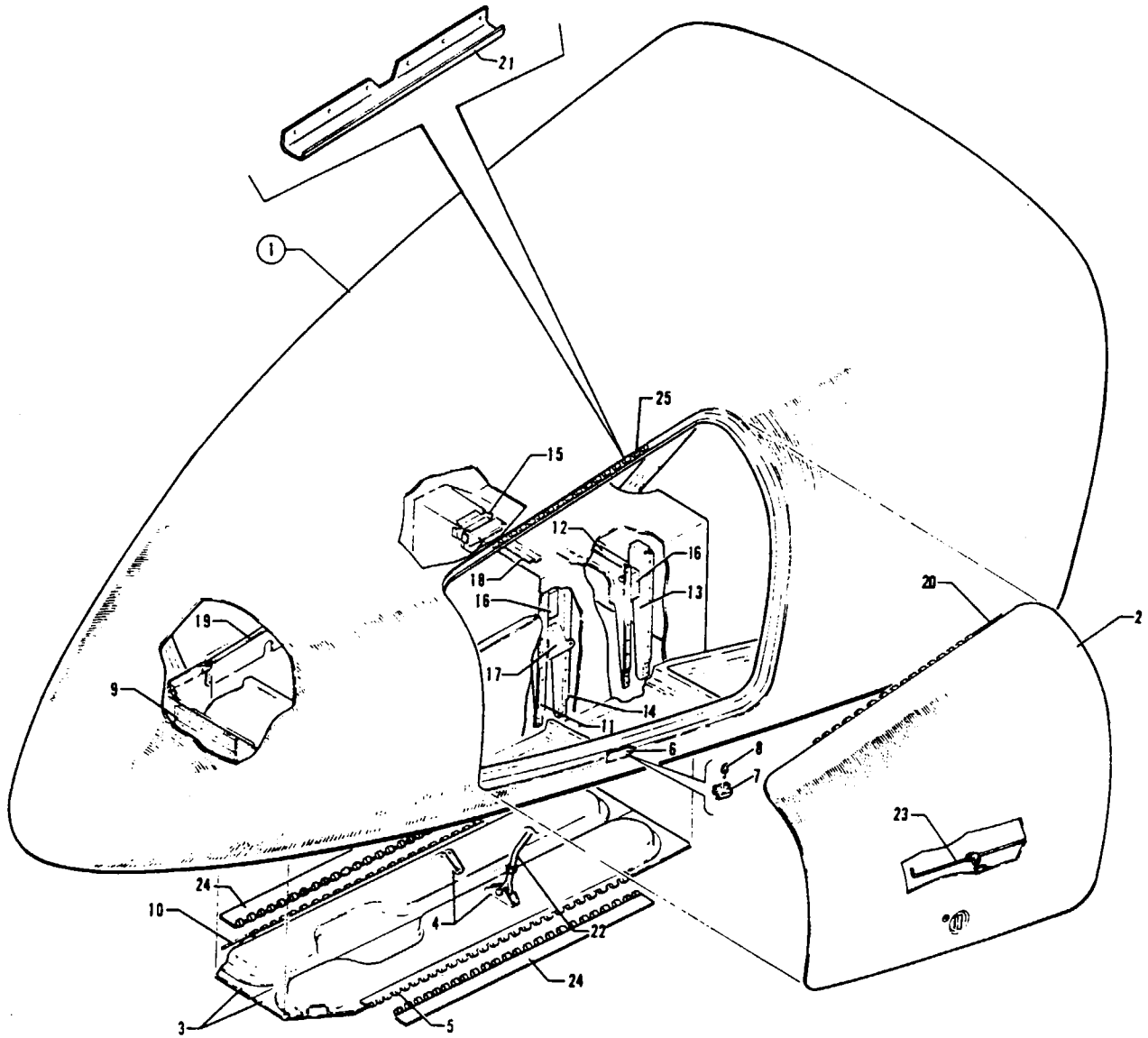


Figure 8. Fuselage Nose Cone Assembly

PIPER PARTS CATALOG

CODE EXPLANATIONS FOR FIGURE 8

- A - See Figure 19 for component parts.
- B - See Figure 49 for component parts.

PIPER PARTS CATALOG

Figure and Index Number	Part Number	Code	NOMENCLATURE	No. Req.	SERIAL NUMBERS AFFECTED
8-	95700		DRAWING - Nose Cone Assembly (Complete)		
-1	95700-00		CONE ASSEMBLY - Nose (complete)	1	
-2	95700-13		CONE ASSEMBLY - Nose, radar (complete)	1	34-7870001 and up
-3	96917-00	A	* DOOR ASSEMBLY - Forward baggage (complete)	1	
-3	95707-00		* DOOR ASSEMBLY - Nose gear, left	1	
-4	95707-01		* DOOR ASSEMBLY - Nose gear, right	1	
-4	95767-00		* CHANNEL - Actuator nose gear door	1	
-5	95769-04		* HINGE HALF - Nose gear door	1	
-6	96914-02		* DOUBLER ASSEMBLY - Door latch	1	
-7	96906-00		* ZEE ASSEMBLY - Latch	1	
-8	96928-00		* LOOP ASSEMBLY - Door latch	1	
-9	95760-00		* HINGE - Battery box	1	
-10	95769-05		* PIN - Hinge, nose gear door	2	
-11	95746-00		* FRAME - Nose cone, tunnel	1	
-12	95745-00		* FRAME - Nose cone, tunnel	1	
-13	95749-00		* CHANNEL - Nose cone, tunnel, left	1	
-13	95747-00		* CHANNEL - Nose cone, tunnel, right	1	
-14	95748-00		* CHANNEL - Nose cone, tunnel, left	1	
-14	95748-01		* CHANNEL - Nose cone, tunnel, right	1	
-15	95774-00		* BRACKET ASSEMBLY - Nose gear door stop	1	
-16	95775-00		* BLOCK - Bearing, nose gear door actuation	4	
-17	95784-00		* SUPPORT ASSEMBLY - Spring, nose gear door	1	
-18	96364-00		* SUPPORT - Cover, nose gear	1	
-19	96374-00		* ANGLE - Anti-splash, tunnel, forward	1	
-20	95744-04		* PIN - Hinge, baggage door	1	
-21	36639-02		* GUARD - Nose cone baggage door	1	
-22		B	* NOSE GEAR DOOR ACTUATION INSTALLATION	1	
-23		A	* BAGGAGE DOOR SUPPORT ROD INSTALLATION	1	
-24	95769-02		* HINGE HALF - Left	1	
-24	95769-03		* HINGE HALF - Right	1	
-25	95744-03		* HINGE HALF - Forward baggage door	1	

When ordering, always specify Part Number, Description and Serial Number of Aircraft

PIPER PARTS CATALOG

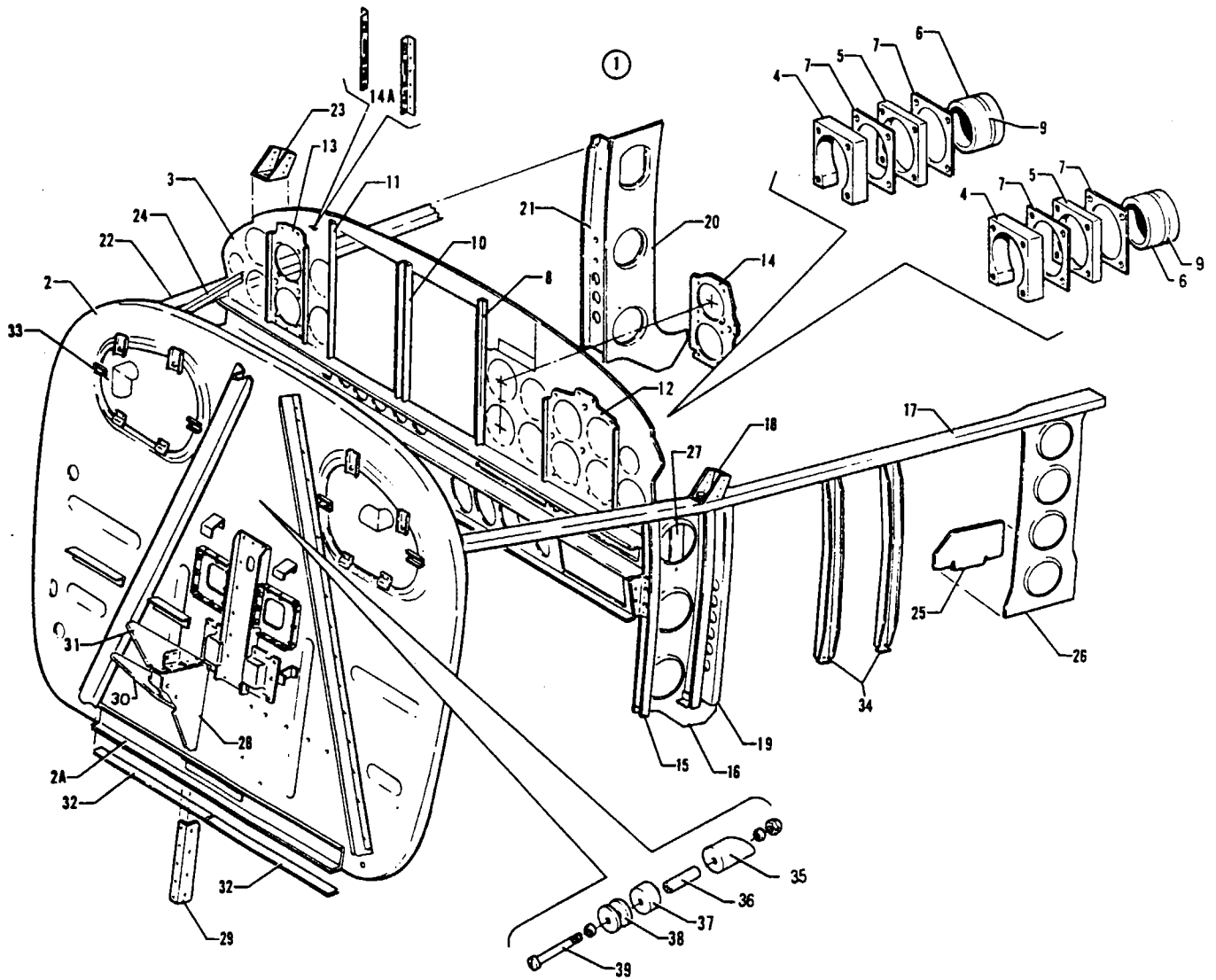


Figure 9 Fuselage Upper Forward Cockpit Assembly

REVISED MAY 1983

PA-34-200T

1B19

Island Enterprises

PIPER PARTS CATALOG

CODE EXPLANATIONS FOR FIGURE 9

- A - Used if NSD-360 is installed.
- B - Used if King KFC-200 AutoPilot/Flight Director is installed without DME-451 indicator.
- C - Used if King KFC-200 AutoPilot/Flight Director with DME-451 indicator is installed.
- D - Used if additional third stack of radios is installed.
- E - Used if glove box is installed.
- F - Used if KFC-200 AutoPilot/Flight Director and digital clock are installed.
- G - Used if KFC-200 AutoPilot/Flight Director and digital clock are installed, and DME-451 is not installed.
- H - Used if KFC-200 AutoPilot/Flight Director is installed, and DME-451 indicator and digital clock are not installed.
- J - Used if KFC-200 AutoPilot/Flight Director and DME-451 indicator are installed, and digital clock is not installed.
- W - These parts must be ordered from Service Spares Department, Piper Aircraft, Lock Haven, Penna.

PIPER PARTS CATALOG

Figure and Index Number	Part Number	Code	NOMENCLATURE	No. Req.	SERIAL NUMBERS AFFECTED
9-1	95120-12		COCKPIT ASSEMBLY - Forward	1	34-7570001 to 34-7670063 incl
	37647-909		COCKPIT ASSEMBLY - Forward	1	34-7670064 and up
-2	95121-03		* FRAME ASSEMBLY - Sta 49 50	1	
-2a	95125-00		* * CHANNEL - Frame, Sta 49 50	1	
-3	37231-00		* PANEL ASSEMBLY - Single instrumentation	1	
	36873-03	B.D	* PANEL ASSEMBLY - Single instrumentation	1	34-7970001 and up
	36873-04	B.E	* PANEL ASSEMBLY - Single instrumentation	1	34-7970001 and up
	36873-06	C.D	* PANEL ASSEMBLY - Single instrumentation	1	34-8070122 and up
	36873-07	C.E	* PANEL ASSEMBLY - Single instrumentation	1	34-8070122 and up
	36875-05	E.F	* PANEL ASSEMBLY - Single instrumentation	1	34-8170001 and up
	37235-00		* PANEL ASSEMBLY - Dual instrumentation	1	
	36873-02	B	* PANEL ASSEMBLY - Dual instrumentation	1	34-7970001 and up
	36873-05	C	* PANEL ASSEMBLY - Dual instrumentation	1	34-8070122 and up
-4	68272-04		* * PLATE - Control wheel	2	
-5	68272-02		* * PLATE - Control wheel	2	
-6	68273-02		* * BUSHING - Control wheel	2	
-7	68272-03		* * PLATE - Control wheel	4	
-8	67128-00		* * ANGLE - Instrument panel	1	
-9	484 792		* * "O" RING - (MS28775-218)	2	
-10	78114-00		* * CHANNEL - Instrument panel	1	
-11	37380-00		* * ANGLE - Instrument panel	1	
-12	37489-00		* * DOUBLER - Instrument panel	1	
	79564-00	A	* * DOUBLER - Instrument panel	1	
	36839-02	G	* * DOUBLER - Instrument panel	1	34-7970001 and up
-13	37490-00		* * STIFFENER - Dual instrument panel	1	
-14	69843-00		* * ADAPTER - Omni converter	1	
	36846-02	H	* * ADAPTER - Omni converter	1	34-7970001 and up
	36846-03	J	* * ADAPTER - Omni converter	1	34-8070122 and up
-14a	67130-00	D	* * ANGLE - Single instrument panel, right	1	34-7970001 and up
	67130-02	D	* * ANGLE - Single instrument panel, left	1	34-7970001 and up
-15	95582-00		* ZEE	1	
-16	68252-00		* WEB - Upper cockpit	1	
-17	68254-02		* LONGERON - Upper cockpit	1	
-18	62522-00		* FITTING - Web assembly	1	34-7570001 to 34-7670063 incl
	79553-00		* FITTING - Web assembly	1	34-7670064 and up
-19	95586-00		* FRAME ASSEMBLY	1	
-20	68253-00		* WEB - Upper cockpit	1	
-21	62674-01		* ZEE	1	
-22	68258-04		* LONGERON ASSEMBLY	1	34-7570001 to 34-7670063 incl
	68258-06		* LONGERON ASSEMBLY	1	34-7670064 and up
-23	68257-00		* FITTING ASSEMBLY	1	34-7570001 to 34-7670063 incl
	79553-01		* FITTING ASSEMBLY	1	34-7670064 and up
-24	95828-00		* ANGLE - Instrument panel	1	34-7570001 to 34-7670063 incl
	95828-02		* ANGLE - Instrument panel	1	34-7670064 and up
-25	62542-00		GUSSET - Left	1	
	62542-01		GUSSET - Right	1	
-26	62644-00		WEB - Forward cockpit, Sta 108	1	
-27	69541-00		PLATE - Microphone clip	2	
-28	95724-02		MOUNT ASSEMBLY - Hydraulic jack, nose gear	1	
-29	95834-00		ANGLE - Hydraulic mount assembly	1	
-30	95833-00		BRACE - Nose gear mount	1	
-31	96876-00		BRACE - Nose gear mount	1	
-32	95144-06		STRAP - Frame, Sta 49 5	2	

When ordering, always specify Part Number, Description and Serial Number of Aircraft

PIPER PARTS CATALOG

Figure and Index Number	Part Number	Code	NOMENCLATURE	No. Req.	SERIAL NUMBERS AFFECTED
9-33	96795-00		COVER ASSEMBLY - Frame, left, Sta. 49.5	1	
	96795-01		COVER ASSEMBLY - Frame, right, Sta. 49.5	1	
-34	99421-00		CHANNEL - Armrest support	2	
-35	63927-00		BUMPER - Tee bar	1	
-36	63900-64		BUSHING - Bumper	1	
-37	68699-00		SPACER - Tee bar bumper	1	
-38	62833-23		WASHER - Tee bar bumper	AR	
-39	400 444	W	BOLT - (AN3-13A)	1	
	407 564	W	WASHER - (AN960-10)	1	
	404 887	W	NUT - (MS20365-1032C)	1	

When ordering, always specify Part Number, Description and Serial Number of Aircraft

1B23 THRU 1B24
INTENTIONALLY LEFT BLANK

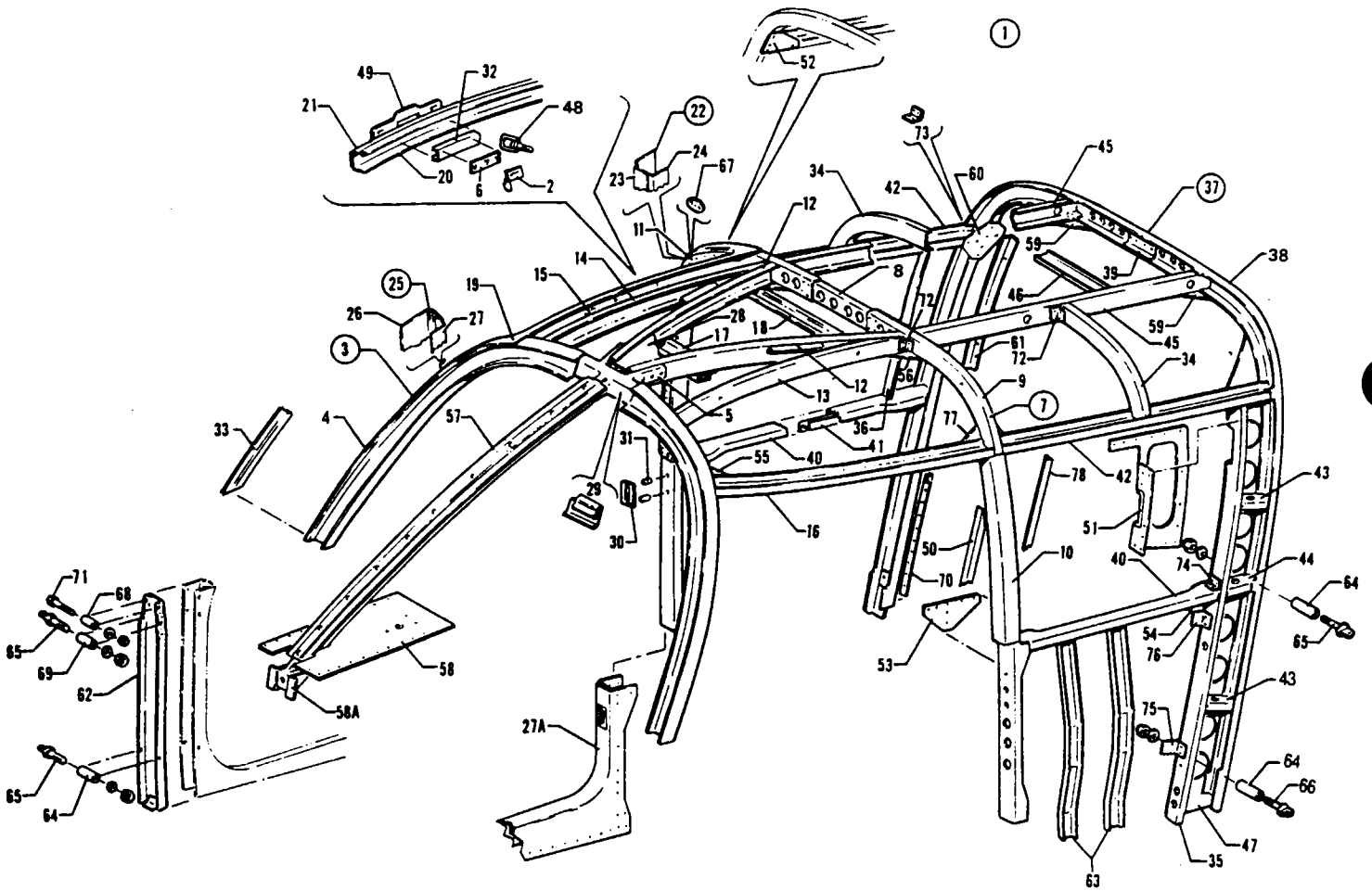


Figure 10 Fuselage Upper Center Cockpit Assembly

PIPER PARTS CATALOG

CODE EXPLANATIONS FOR FIGURE 10

- A - Used if .250 thick sound reduction windshield is installed.
- B - See Figure 37D if Oxygen System is installed
- W - These parts must be ordered from Service Spares Department, Piper Aircraft, Lock Haven, Penna.

PIPER PARTS CATALOG

Figure and Index Number	Part Number	Code	NOMENCLATURE	No. Req.	SERIAL NUMBERS AFFECTED
10-1	69699-00		COCKPIT ASSEMBLY - Center upper	1	34-7570001 to 34-7670063 incl.
	37647-910		COCKPIT ASSEMBLY - Center upper	1	34-7670064 and up
-2	69739-00		* CLIP - Door latch	1	
-3	68316-00		* FRAME ASSEMBLY - Fuselage, canted, Sta. 85.6	1	34-7570001 to 34-7670063 incl.
	69888-00		* FRAME ASSEMBLY - Fuselage, canted, Sta. 85.6	1	34-7670064 and up
-4	68316-02		* * FRAME ASSEMBLY - Left	1	34-7570001 to 34-7670063 incl.
	69888-02		* * FRAME ASSEMBLY - Left	1	34-7670064 and up
	68316-03		* * FRAME ASSEMBLY - Right	1	34-7570001 to 34-7670063 incl.
	69888-03		* * FRAME ASSEMBLY - Right	1	34-7670064 and up
-5	68320-00		* * FITTING - Windshield bow	1	34-7570001 to 34-7670063 incl.
	68320-03		* * FITTING - Windshield bow	1	34-7670064 and up
-6	69738-00		* PLATE ASSEMBLY - Door latch	1	
-7	68325-00		* FRAME ASSEMBLY - Sta. 108	1	34-7570001 to 34-7670063 incl.
	68325-02		* FRAME ASSEMBLY - Sta. 108	1	34-7670064 and up
-8	68326-00		* * CHANNEL - Splice	1	
-9	68331-00		* * CHANNEL - Fuselage frame, left	1	
	68331-01		* * CHANNEL - Fuselage frame, right	1	
-10	68327-00		* * CHANNEL ASSEMBLY	1	
-11	62511-02		* * SIDE PANEL ASSEMBLY - Upper cockpit	1	34-7570001 to 34-7670063 incl.
-12	68342-04		* CHANNEL ASSEMBLY - Center upper cockpit, left	1	34-7570001 to 34-7670063 incl.
	68342-10		* CHANNEL - Center upper cockpit, left	1	34-7670064 and up
	68342-05		* CHANNEL ASSEMBLY - Center upper cockpit, right	1	34-7570001 to 34-7670063 incl.
	68342-11		* CHANNEL - Center upper cockpit, right	1	34-7670064 and up
-13	68382-00		* CHANNEL ASSEMBLY - Upper cockpit, left	1	34-7570001 to 34-7670063 incl.
	68382-02		* CHANNEL ASSEMBLY - Upper cockpit, left	1	34-7670064 and up
-14	68352-01		* CHANNEL - Upper cockpit, right	1	34-7570001 to 34-7670063 incl.
	68352-03		* CHANNEL - Upper cockpit, right	1	34-7670064 and up
-15	62874-04		* CHANNEL ASSEMBLY - Upper cockpit, right	1	34-7570001 to 34-7670063 incl.
	62874-06		* CHANNEL ASSEMBLY - Upper cockpit, right	1	34-7670064 and up
-16	62876-00		* CHANNEL ASSEMBLY - Upper cockpit, left	1	34-7570001 to 34-7770022 incl.
	62876-02		* CHANNEL ASSEMBLY - Upper cockpit, left	1	34-7770023 and up
-17	68308-00		* HAT - Upper cockpit	1	
-18	68307-00	B	* CHANNEL - Upper cockpit, forward	1	
-19	62873-10		* PAN ASSEMBLY - Upper	1	34-7570001 to 34-7670063 incl.
	79561-901		* PAN ASSEMBLY - Upper	1	34-7670064 and up
-20	62873-11		* * PAN - Inner	1	34-7570001 to 34-7670063 incl.
	79561-06		* * PAN - Inner	1	34-7670064 and up
-21	62873-12		* * PAN - Outer	1	34-7570001 to 34-7670063 incl.
	79561-05		* * PAN - Outer	1	34-7670064 and up
-22	79561-903		* PAN ASSEMBLY - Side, rear	1	34-7670064 and up
-23	79561-07		* * PAN - Outer	1	34-7670064 and up
-24	79561-08		* * PAN - Inner	1	34-7670064 and up
-25	79561-902		* PAN ASSEMBLY - Side, forward	1	34-7670064 and up
-26	79561-03		* * PAN - Outer	1	34-7670064 and up
-27	79561-04		* * PAN - Inner	1	34-7670064 and up
-27a	76467-04		* CHANNEL - Door frame splice	1	
-28	79162-00		* DOUBLER - Antenna	1	

When ordering, always specify Part Number, Description and Serial Number of Aircraft

PIPER PARTS CATALOG

Figure and Index Number	Part Number	Code	NOMENCLATURE	No. Req.	SERIAL NUMBERS AFFECTED
10-29	68336-00		* RETAINER - Windshield, left	1	
	68336-01		* RETAINER - Windshield, right	1	
-30	63293-02		* PLATE - Door latch striker	1	
-31	63257-00		* BUSHING - Striker plate	2	
-32	69740-00		* CHANNEL - Door latch	1	34-7570001 to 34-7670063 incl.
	69740-02		* CHANNEL - Door latch	1	34-7670064 and up
-33	62420-08		RETAINER - Upper cockpit, left	1	34-7570001 to 34-7670063 incl.
	79296-24	A	RETAINER - Upper cockpit, left, upper	1	34-7570001 to 34-7670063 incl.
	79296-26	A	RETAINER - Upper cockpit, left, lower	1	34-7570001 to 34-7670063 incl.
	69891-06		RETAINER - Upper cockpit, left, upper	1	34-7670064 and up
	69891-02		RETAINER - Upper cockpit, left, lower	1	34-7670064 and up
	69891-08	A	RETAINER - Upper cockpit, left, upper	1	34-7670064 and up
	69891-04	A	RETAINER - Upper cockpit, left, lower	1	34-7670064 and up
	62420-10		RETAINER - Upper cockpit, right	1	34-7570001 to 34-7670063 incl.
	79296-25	A	RETAINER - Upper cockpit, right, upper	1	34-7570001 to 34-7670063 incl.
	79296-27	A	RETAINER - Upper cockpit, right, lower	1	34-7570001 to 34-7670063 incl.
	69891-07		RETAINER - Upper cockpit, right, lower	1	34-7670064 and up
	69891-03		RETAINER - Upper cockpit, right, lower	1	34-7670064 and up
	69891-09	A	RETAINER - Upper cockpit, right, upper	1	34-7670064 and up
	69891-05	A	RETAINER - Upper cockpit, right, lower	1	34-7670064 and up
-34	68315-00		CHANNEL - Upper cockpit, left	1	
	68315-01		CHANNEL - Upper cockpit, right	1	
-35	68328-02		CHANNEL - Sta. 122 to Sta. 132	1	
-36	68349-00		ANGLE - Upper cockpit, right	1	
-37	68332-00		FRAME ASSEMBLY - Sta. 128	1	
-38	68333-00		CHANNEL - Fuselage frame, left	1	
	68333-01		CHANNEL - Fuselage frame, right	1	
-39	68335-00		CHANNEL - Splice	1	
-40	68341-00		CHANNEL - Upper cockpit, center, left	1	
	68343-02		CHANNEL - Upper cockpit, center, right	1	
-41	95923-00		ZEE - Upper cockpit, center, right	1	
-42	68340-00		CHANNEL - Upper cockpit, center, left	1	
	68351-00		CHANNEL - Upper cockpit, center, right	1	
-43	68338-00		STIFFENER - Left side	2	
-44	68339-00		STIFFENER - Left side	1	
-45	68381-00		CHANNEL ASSEMBLY - Upper cockpit, center, left	1	
	68346-01		CHANNEL ASSEMBLY - Upper cockpit, center, right	1	
-46	68364-00		CHANNEL - Upper cockpit, aft	1	34-7570001 to 34-7770125 incl.
	69748-00		CHANNEL - Upper cockpit, aft	1	34-7770126 and up
-47	68330-06		WEB ASSEMBLY - Left, Sta. 128	1	
-48	63037-00		LOOP ASSEMBLY - Door latch	1	
-49	79234-00		PLATE - Forward door latch	1	
-50	69697-00		ANGLE - Upper cockpit	1	
-51	78012-00		DOUBLER ASSEMBLY - Upper cockpit, Sta. 124.25	1	
-52	68322-00		GUSSET ASSEMBLY - Upper cockpit, center	1	
-53	65122-00		GUSSET - Upper cockpit	1	
-54	68344-00		GUSSET - Upper cockpit, left	1	
-55	68324-00		GUSSET - Upper cockpit, left	1	
-56	68323-00		GUSSET - Upper cockpit, left	1	
	68323-01		GUSSET - Upper cockpit, right	1	

When ordering, always specify Part Number, Description and Serial Number of Aircraft

PIPER PARTS CATALOG

Figure and Index Number	Part Number	Code	NOMENCLATURE	No. Req.	SERIAL NUMBERS AFFECTED
10-57	95152-02		HAT ASSEMBLY - Windshield	1	34-7570001 to 34-7670063 incl
	95152-03		HAT ASSEMBLY - Windshield	1	34-7670064 and up
	95152-04	A	HAT ASSEMBLY - Windshield	1	34-7670064 and up
-58	78111-00		* PANEL - Center skin	1	
-58a	62505-00		* BRACKET - Windshield bow attachment	1	
-59	68319-00		GUSSET	2	
-60	68225-00		GUSSET	1	
-61	68223-00		ANGLE - Upper cockpit, center	1	
-62	62697-00		CHANNEL ASSEMBLY - Upper fuselage	1	34-7570001 to 34-7670063 incl
	62697-02		CHANNEL ASSEMBLY - Upper fuselage	1	34-7670064 and up
-63	99422-02		CHANNEL - Armrest support, left	2	
	99422-06		CHANNEL - Armrest support, right	2	
-64	63900-46		BUSHING - Door jamb hinge	3	
-65	402 057		EYE BOLT - (AN44-17A)	3	
	407 586	W	WASHER - (AN960-516L)	3	
	404 837	W	NUT - (MS20364-524C)	3	
-66	402 057		EYE BOLT - (AN44-17A)	1	34-7570001 to 34-7670063 incl
	402 060		EYE BOLT - (AN44-20A)	1	34-7670064 and up
	407 586	W	WASHER - (AN960-516L)	1	
	404 837	W	NUT - (MS20364-524C)	1	
-67	78123-00		PLATE - Striker, upper door latch	1	34-7570001 to 34-7670063 incl
-68	63900-48		BUSHING	1	34-7570001 to 34-7670063 incl
-69	63900-47		BUSHING	1	
-70	37559-00		ANGLE - Upper cockpit	1	
-71	400 883		BOLT - (AN23-31A)	1	34-7570001 to 34-7670063 incl
	407 584	W	WASHER - (AN960-10L)	1	34-7570001 to 34-7670063 incl
	404 887	W	NUT - (MS20365-1032C)	1	34-7570001 to 34-7670063 incl
-72	62506-00		CLIP	6	
-73	62506-03		CLIP - Upper cockpit	1	
-74	62506-04		CLIP - Upper cockpit	1	
-75	68362-00		CLIP	1	
-76	68363-00		CLIP	1	
-77	68347-00		GUSSET - Upper cockpit, left	1	
-78	69698-00		ANGLE - Upper cockpit, left	1	
	69698-01		ANGLE - Upper cockpit, right	1	

When ordering, always specify Part Number, Description and Serial Number of Aircraft

PIPER PARTS CATALOG

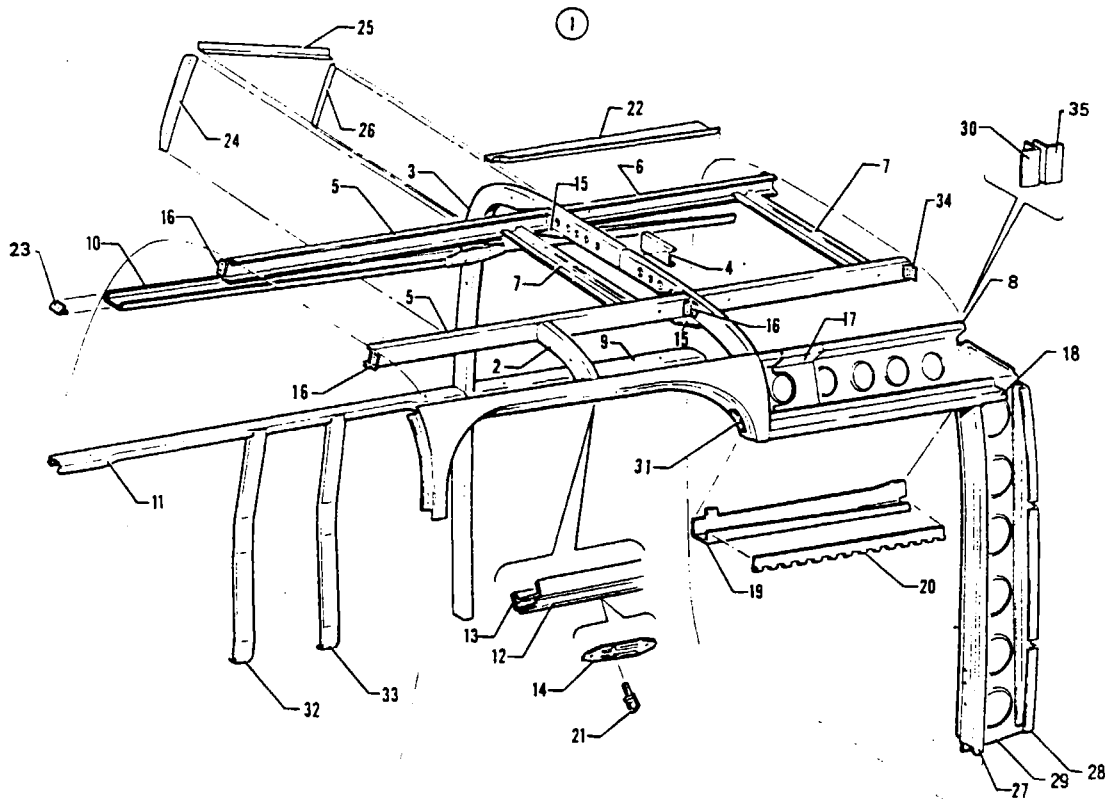


Figure 11 Fuselage Upper Aft Cockpit Assembly

PIPER PARTS CATALOG

CODE EXPLANATIONS FOR FIGURE 11

PIPER PARTS CATALOG

Figure and Index Number	Part Number	Code	NOMENCLATURE	No. Req.	SERIAL NUMBERS AFFECTED
11-1	69104-06		COCKPIT ASSEMBLY - Aft	1	34-7570001 to 34-7670063 incl
	37647-911		COCKPIT ASSEMBLY - Aft	1	34-7670064 and up
-2	68372-00		* SUPPORT ASSEMBLY - Latch	1	
-3	68984-00		* CHANNEL - Left	1	
	68357-01		* CHANNEL - Right	1	
-4	68359-00		* SPLICE - Channel	1	
-5	68371-00		* CHANNEL - Upper cockpit, aft, left	1	
	68371-01		* CHANNEL - Upper cockpit, aft, right	1	
-6	68373-00		* LONGERON - Upper cockpit, aft, left	1	
	68373-01		* LONGERON - Upper cockpit, aft, right	1	
-7	68364-00		* CHANNEL - Upper cockpit	2	
-8	68966-00		* WEB - Cargo door, upper	1	
-9	68370-01		* LONGERON - Upper cockpit, aft, right	1	
-10	68374-00		* CHANNEL - Upper cockpit	1	
-11	68375-00		* LONGERON - Upper cockpit, aft	1	
-12	69105-02		* SILL - Rear door	1	
-13	69105-03		* SILL - Rear door	1	
-14	68353-00		* PLATE - Door latch	1	
-15	68319-00		* GUSSET	2	
-16	62506-00		* CLIP	11	
-17	96851-00		* DOUBLER - Shoulder harness	1	
-18	68369-00		ZEE - Upper cockpit, aft, left	1	
	68369-01		ZEE - Upper cockpit, aft, right	1	
-19	68967-00		STIFFENER - Cargo door, upper	1	
-20	68974-00		HINGE HALF - Cargo door	1	
-21	63037-00		LOOP ASSEMBLY - Door latch	1	
-22	99729-01		ANGLE - Headliner attachment, right	1	
-23	68380-00		CLIP	1	
-24	69720-00		ANGLE - Window, forward	1	
-25	69719-00		ANGLE - Window, top	1	
-26	69718-00		ANGLE - Window, rear	1	
-27	68985-00		JAMB ASSEMBLY - Cargo door, aft	1	
-28	68971-00		CHANNEL - Cargo door, aft	1	
-29	68970-00		WEB - Cargo door, aft	1	
-30	68986-02		CLIP - Cargo door web	1	
-31	96986-00		PLATE - Striker	1	
-32	99422-03		CHANNEL - Armrest support	1	34-7570001 to 34-7670393 incl
	69971-02		CHANNEL - Armrest support	1	34-7770001 and up
-33	99422-04		CHANNEL - Armrest support	1	34-7570001 to 34-7670393 incl
	69971-02		CHANNEL - Armrest support	1	34-7770001 and up
-34	62506-05		CLIP - Upper cockpit	2	
-35	68986-03		CLIP - Cargo door web	1	

When ordering, always specify Part Number, Description and Serial Number of Aircraft

PIPER PARTS CATALOG

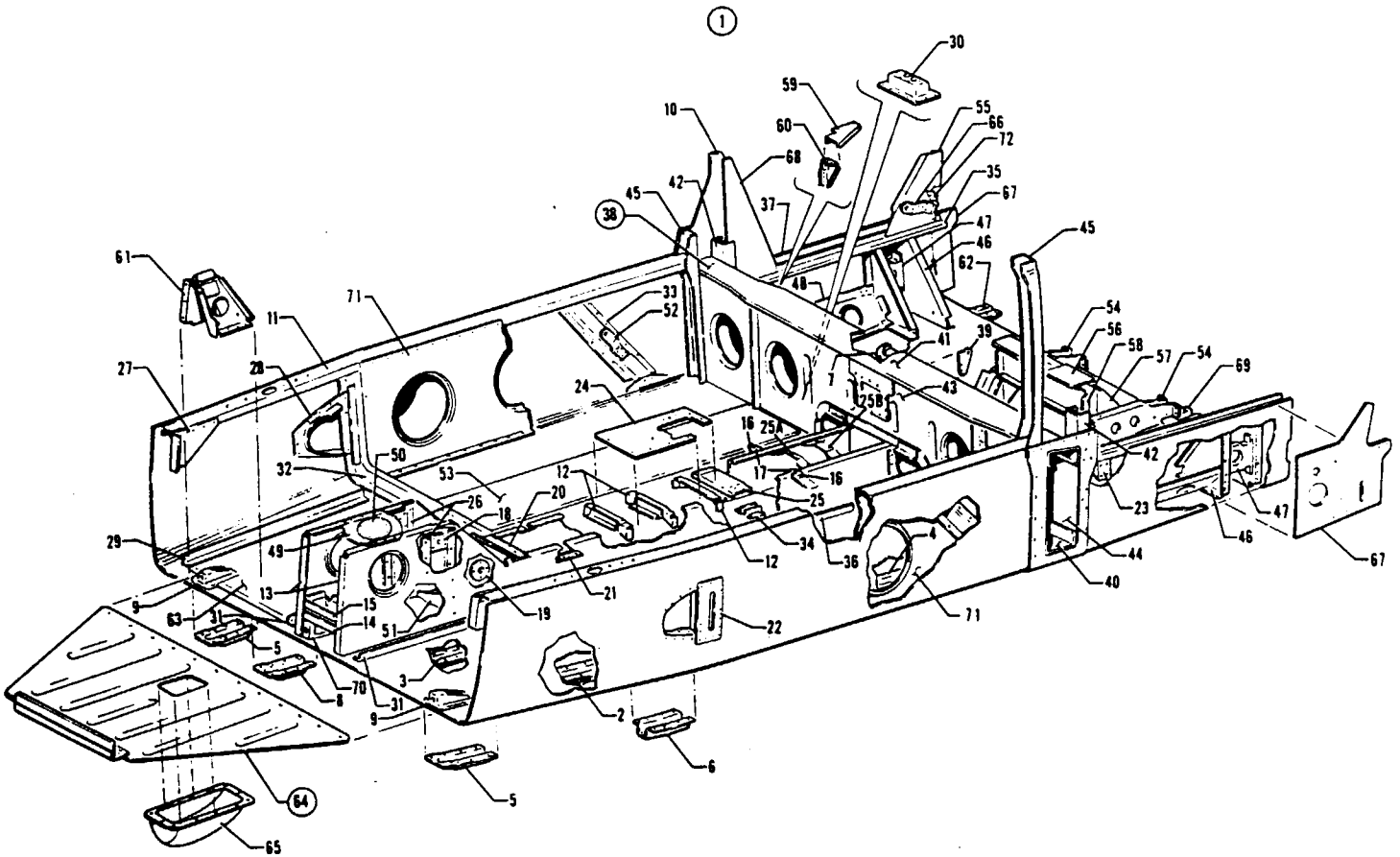


Figure 12. Fuselage Lower Forward Cockpit Assembly

PIPER PARTS CATALOG

CODE EXPLANATIONS FOR FIGURE 12

PIPER PARTS CATALOG

Figure and Index Number	Part Number	Code	NOMENCLATURE	No. Req.	SERIAL NUMBERS AFFECTED
12-1	95160-10		COCKPIT ASSEMBLY - Lower forward	1	34-7570001 to 34-7670063 incl
	37647-906		COCKPIT ASSEMBLY - Lower forward	1	34-7670064 and up
-2	62528-00		* HAT - Lower cockpit, forward, left	1	
	62528-01		* HAT - Lower cockpit, forward, right	1	
-3	62221-00		* HAT - Lower cockpit, inboard, left and right	2	
-4	96349-00		* HAT - Lower cockpit, outboard, left	1	
	96349-01		* HAT - Lower cockpit, outboard, right	1	
-5	62544-00		* FAIRING - Lower cockpit, forward, left	1	
	62544-01		* FAIRING - Lower cockpit, forward, right	1	
-6	62558-00		* FAIRING - Lower cockpit, center, left	1	
	62558-01		* FAIRING - Lower cockpit, center, right	1	
-7	22482-00		* SCOOP - Air	1	
-8	62543-00		* FAIRING	2	
-9	62441-03		* FITTING - Lower engine mount, left	1	
	62441-04		* FITTING - Lower engine mount, right	1	
-10	68507-02		* DOUBLER - Main spar box, left	1	
	95925-00		* DOUBLER - Main spar box, right	1	
-11	95124-00		* LONGERON ASSEMBLY - Lower cockpit, forward, left	1	
	95124-01		* LONGERON ASSEMBLY - Lower cockpit, forward, right	1	
-12	62679-00		* BRACKET ASSEMBLY - Tunnel, forward	2	
	62679-01		* BRACKET ASSEMBLY - Tunnel, rear	1	
-13	95599-02		* CHANNEL - Tunnel, left	1	
	95599-03		* CHANNEL - Tunnel, right	1	
-14	95554-00		* BRACKET - Tunnel	1	
-15	95914-00		* BRACKET ASSEMBLY - Tunnel	1	
-16	96877-00		* LINK - Seat belt attachment, outboard, left	1	
	96877-01		* LINK - Seat belt attachment, outboard, right	1	
-17	96878-00		* LINK - Seat belt attachment, inboard, left	1	
	96878-01		* LINK - Seat belt attachment, inboard, right	1	
-18	62607-00		* PLATE - Tunnel, side	2	
-19	62608-00		* DOUBLER - Tunnel, side	2	
-20	96086-00		* BRACKET ASSEMBLY - Cowl flap control	1	
-21	96282-00		* SUPPORT - Cable clamp	2	
-22	95929-00		* DOUBLER - Forward cockpit, lower	2	
-23	95666-01		* BRACKET - Aileron pulley assembly, left	1	
	95666-00		* BRACKET - Aileron pulley assembly, right	1	
-24	95564-00		* PLATE ASSEMBLY - Tunnel	1	
-25	95406-00		* BRACKET ASSEMBLY - Pulley, rudder trim	1	
-25a	78130-00		* SUPPORT ASSEMBLY - Fuel selector cable, forward	1	
-25b	78131-00		* SUPPORT ASSEMBLY - Fuel selector cable, aft	1	
-26	62606-00		* STIFFENER - Tunnel, side	2	
-27	96260-01		* BRACKET - Lower cockpit, left	1	
	96260-00		* BRACKET - Lower cockpit, right	1	
-28	95350-00		* DOUBLER - Lower cockpit, forward, left	1	
	95350-01		* DOUBLER - Lower cockpit, forward, right	1	
-29	65656-00		* ANGLE - Left	1	
	65656-01		* ANGLE - Right	1	
-30	96968-00		* SUPPORT ASSEMBLY - Fuel drain	1	
-31	68537-00		* ANGLE	2	
-32	95161-00		* FRAME ASSEMBLY - Sta 73	1	
-33	96890-02		* HAT ASSEMBLY - Seat belt attachment, left	1	
	96890-03		* HAT ASSEMBLY - Seat belt attachment, right	1	

When ordering, always specify Part Number, Description and Serial Number of Aircraft

PIPER PARTS CATALOG

Figure and Index Number	Part Number	Code	NOMENCLATURE	No. Req.	SERIAL NUMBERS AFFECTED
12-34	96041-00		* ANGLE - Lever, fuel selector bracket	2	
-35	68508-02		* LONGERON - Lower cockpit, forward, left	1	
	68508-01		* LONGERON - Lower cockpit, forward, right	1	
-36	68538-00		* ANGLE - Floor	2	
-37	68509-02		* ANGLE - Lower cockpit, forward, left	1	
	68509-03		* ANGLE - Lower cockpit, forward, right	1	
-38	95734-06		* SPAR BOX ASSEMBLY	1	
-39	95936-00		* * BRACKET - Flap return spring	1	
-40	95733-00		* * CAP - Lower spar	1	
-41	95732-00		* * CAP - Upper spar	1	
-42	96339-00		* * CHANNEL - Frame, aft, left	1	
	96339-01		* * CHANNEL - Frame, aft, right	1	
-43	95825-02		* * WEB - Main spar box, forward	1	
-44	95826-02		* * WEB - Main spar box, aft	1	
-45	96330-00		* * CHANNEL - Spar box, left	1	
	62545-03		* * CHANNEL - Spar box, right	1	
-46	68510-00		* SUPPORT ASSEMBLY - Flap torque tube, left	1	
	68510-01		* SUPPORT ASSEMBLY - Flap torque tube, right	1	
-47	62421-00		* * FITTING - Flap, left	1	
	62421-01		* * FITTING - Flap, right	1	
-48	65126-01		* STIFFENER - Lower cockpit, left	1	
	65126-00		* STIFFENER - Lower cockpit, right	1	
-49	36565-03		* DOUBLER ASSEMBLY - Transponder antenna access	1	34-7670064 and up
-50	36565-02		* PLATE - Transponder antenna access	1	34-7670064 and up
-51	96186-00		BRACKET - Shaft support	1	
-52	96887-00		LINK - Seat belt attachment	2	
-53	96684-00		FLOORBOARD	2	
-54	62763-00		SUPPORT - Torque shaft	2	
-55	96897-00		GUSSET - Seat belt attachment, right	1	
-56	96489-03		CHANNEL ASSEMBLY - Pulley mounting	1	
-57	96485-00		BRACKET - Channel mounting, left	1	
	96485-01		BRACKET - Channel mounting, right	1	
-58	96486-00		ANGLE - Channel mounting, left	1	
	96486-01		ANGLE - Channel mounting, right	1	
-59	96334-00		GUSSET - Sta. 108, left	1	
	96334-01		GUSSET - Sta. 108, right	1	
-60	96333-00		GUSSET - Floor support, left	1	
	96333-01		GUSSET - Floor support, right	1	
-61	78582-00		BRACKET ASSEMBLY - Rudder stop, left	1	
	78582-01		BRACKET ASSEMBLY - Rudder stop, right	1	
-62	68503-00		FAIRING - Lower cockpit, left	1	
	68503-01		FAIRING - Lower cockpit, right	1	
-63	96700-00		FLOORBOARD ASSEMBLY - Lower cockpit, forward, left	1	34-7570001 to 34-7670063 incl.
	96700-04		FLOORBOARD ASSEMBLY - Lower cockpit, forward, left	1	34-7670064 and up
	96700-01		FLOORBOARD ASSEMBLY - Lower cockpit, forward, right	1	34-7570001 to 34-7670063 incl.
	96700-05		FLOORBOARD ASSEMBLY - Lower cockpit, forward, right	1	34-7670064 and up
-64	95740-03		COVER ASSEMBLY - Nose cone	1	
-65	78547-00		* CAP - Nose cone cover	1	
-66	96896-00		LINK - Seat belt attachment	2	
-67	68645-02		DOUBLER - Skin, lower cockpit, left	1	
	68645-00		DOUBLER - Skin, lower cockpit, right	1	
-68	95924-00		DOUBLER - Forward, right	1	

When ordering, always specify Part Number, Description and Serial Number of Aircraft

PIPER PARTS CATALOG

Figure and Index Number	Part Number	Code	NOMENCLATURE	No. Req.	SERIAL NUMBERS AFFECTED
12-69	68506-00		FAIRING - Lower cockpit, center	2	
-70	95555-00		FITTING - Nose gear mount	1	
-71	95164-00		SKIN - Lower cockpit, left	1	
	95164-01		SKIN - Lower cockpit, right	1	
-72	96884-00		BRACKET ASSEMBLY - Seat belt attachment, left	1	
	96884-01		BRACKET ASSEMBLY - Seat belt attachment, right	1	

When ordering, always specify Part Number, Description and Serial Number of Aircraft

PIPER PARTS CATALOG

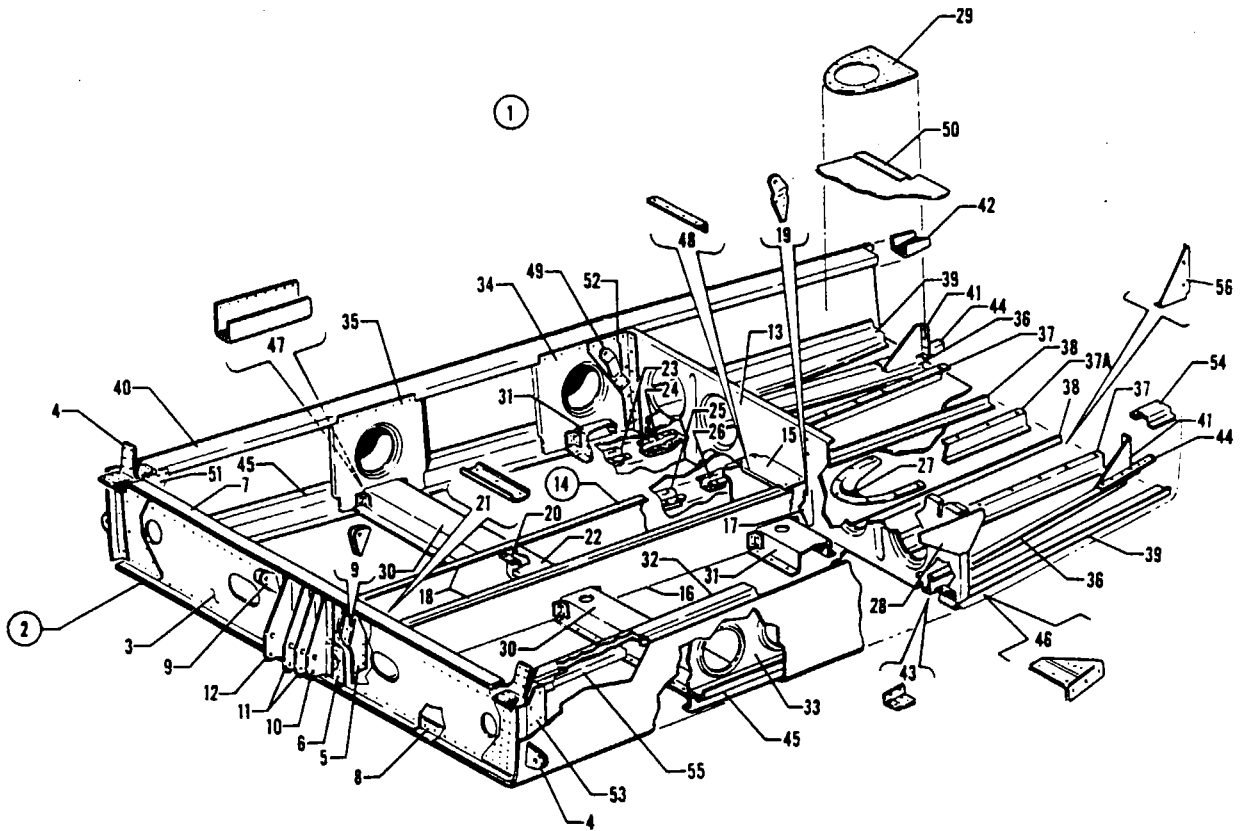


Figure 13 Fuselage Lower Aft Cockpit Assembly

REVISED: MARCH 1980

1C14

PA-34-200T

PIPER PARTS CATALOG

CODE EXPLANATIONS FOR FIGURE 13

PIPER PARTS CATALOG

Figure and Index Number	Part Number	Code	NOMENCLATURE	No. Req.	SERIAL NUMBERS AFFECTED
13-1	68601-15		COCKPIT ASSEMBLY - Lower, aft	1	34-7570001 to 34-7670063 incl.
	37647-907		COCKPIT ASSEMBLY - Lower, aft	1	34-7670064 to 34-7670393 incl.
	37647-927		COCKPIT ASSEMBLY - Lower, aft	1	34-7770001 and up
-2	68615-04		* FRAME ASSEMBLY - Lower, Sta. 128	1	
-3	68616-03		** WEB - Sta. 128	1	
-4	68621-02		** FITTING ASSEMBLY - Wing attachment, left	1	
	68621-03		** FITTING ASSEMBLY - Wing attachment, right	1	
-5	68619-00		* GUSSET - Left, Sta. 128	1	
	68619-01		* GUSSET - Right, Sta. 128	1	
-6	62566-02		** DOUBLER - Forward, rear seat support	1	
-7	68617-02		** STIFFENER - Frame, Sta. 128	1	
-8	68618-00		** ANGLE - Frame, Sta. 128	1	
-9	96880-00		** FITTING - Seat belt attachment	2	
-10	62563-06		** BRACKET - Sta. 128	1	
-11	62563-07		** BRACKET - Sta. 128	2	
-12	62563-05		** BRACKET - Sta. 128	1	
-13	68623-05		* FRAME ASSEMBLY - Lower, Sta. 168	1	
-14	68601-14		* TUNNEL ASSEMBLY - Sta. 128 to Sta. 168	1	34-7570001 to 34-7670063 incl.
	37647-981		* TUNNEL ASSEMBLY - Sta. 128 to Sta. 168	1	34-7670064 and up
-15	78322-00		* COVER - Aft tunnel	1	
-16	68608-02		** ANGLE - Aft tunnel wall, left	1	
	68608-03		** ANGLE - Aft tunnel wall, right	1	
-17	68625-02		** ANGLE - Lower cockpit, aft, left	1	
	68625-03		** ANGLE - Lower cockpit, aft, right	1	
-18	68647-00		** ANGLE ASSEMBLY - Tunnel side, left	1	
	68647-01		** ANGLE ASSEMBLY - Tunnel side, right	1	
-19	96885-00		* LINK - Seat belt attachment, left	1	
	96885-01		* LINK - Seat belt attachment, right	1	
-20	96314-00		* FAIRLEAD ASSEMBLY - Rudder trim cable	1	
-21	96188-00		* CHANNEL - Tunnel top	1	
-22	68656-00		* CHANNEL - Tunnel top	1	
-23	68609-04		* HAT ASSEMBLY - Lower cockpit, aft, outboard, left	1	
	68609-05		* HAT ASSEMBLY - Lower cockpit, aft, outboard, right	1	
-24	62554-00		* FAIRING	1	
-25	68612-00		* HAT ASSEMBLY - Lower cockpit, aft, inboard	2	
-26	62554-00		* FAIRING	1	
-27	66965-00		* SCOOP - Cabin air	1	
-28	68975-00		* GUSSET - Cargo door jamb	1	
-29	65556-00		* DOUBLER - Cabin exhaust scoop (with 4" dia. hole)	1	
	65556-02		* DOUBLER - Cabin exhaust scoop (without 4" dia. hole)	1	
-30	68653-00		* HAT ASSEMBLY - Seat support, left	1	34-7570001 to 34-7670393 incl.
	79583-02		* HAT ASSEMBLY - Seat support, left	1	34-7770001 and up
	68653-01		* HAT ASSEMBLY - Seat support, right	1	34-7570001 to 34-7670393 incl.
	79583-03		* HAT ASSEMBLY - Seat support, right	1	34-7770001 and up
-31	68654-00		* HAT ASSEMBLY - Seat support, left	1	34-7570001 to 34-7670393 incl.
	68654-01		* HAT ASSEMBLY - Seat support, right	1	34-7570001 to 34-7670393 incl.
	79747-00		* HAT ASSEMBLY - Seat support, left	1	34-7770001 and up
	79747-01		* HAT ASSEMBLY - Seat support, right	1	34-7770001 and up
-32	68604-04		* JAMB - Door	1	
-33	68607-03		* WEB ASSEMBLY - Left	1	
-34	68649-03		* WEB ASSEMBLY - Right	1	
-35	68655-00		* WEB - Right	1	34-7570001 to 34-7670393 incl.
	68655-02		* WEB - Right	1	34-7770001 and up

When ordering, always specify Part Number, Description and Serial Number of Aircraft

PIPER PARTS CATALOG

Figure and Index Number	Part Number	Code	NOMENCLATURE	No. Req.	SERIAL NUMBERS AFFECTED
13-36	68641-00		* STIFFENER - Left	1	
	68641-01		* STIFFENER - Right	1	
-37	68632-00		* ZEE ASSEMBLY - Baggage floor, left	1	
	68632-01		* ZEE ASSEMBLY - Baggage floor, right	1	
-37a	68632-05		* ZEE ASSEMBLY - Baggage floor, center	1	
-38	68637-00		* ANGLE - Left	1	
	68637-01		* ANGLE - Right	1	
-39	68606-00		* CHANNEL - Left	1	
	68606-01		* CHANNEL - Right	1	
-40	68603-00		* LONGERON ASSEMBLY - Lower cockpit, aft, left	1	
	68657-00		* LONGERON ASSEMBLY - Lower cockpit, aft, right	1	
-41	65119-00		* GUSSET - Baggage compartment, aft, left	1	
	65119-01		* GUSSET - Baggage compartment, aft, right	1	
-42	68634-00		* CHANNEL - Splice, left	1	
	68634-01		* CHANNEL - Splice, right	1	
-43	68643-00		* ANGLE - Lower cockpit, aft, left	1	
	68643-01		* ANGLE - Lower cockpit, aft, right	1	
-44	62532-00		* ANGLE - Stringer splice, Sta. 156, left	1	
	62532-01		* ANGLE - Stringer splice, Sta. 156, right	1	
-45	68605-00		* CHANNEL - Lower cockpit, aft, left	1	
	68605-01		* CHANNEL - Lower cockpit, aft, right	1	
-46	68642-00		* GUSSET ASSEMBLY - Baggage floor, left	1	
	68642-01		* GUSSET ASSEMBLY - Baggage floor, right	1	
-47	68678-00		* DOUBLER ASSEMBLY - Step	1	
-48	96264-00		* ANGLE ASSEMBLY - Cable guard	1	
-49	96896-02		* LINK - Seat belt attachment	2	
-50	68638-02		* ANGLE - Baggage floor, left	1	
	68638-01		* ANGLE - Baggage floor, right	1	
-51	68639-00		* GUSSET - Right	1	
-52	68640-02		* DOUBLER - Seat belt attachment, left	1	
	68640-03		* DOUBLER - Seat belt attachment, right	1	
-53	68644-00		* ANGLE - Left, Sta. 128	1	
-54	68972-00		* JAMB ASSEMBLY - Cargo door, lower	1	
-55	37655-00		* DOUBLER - Lower cockpit, aft	1	
-56	78398-00		BRACKET - Combustion heater	1	

When ordering, always specify Part Number, Description and Serial Number of Aircraft

PIPER PARTS CATALOG

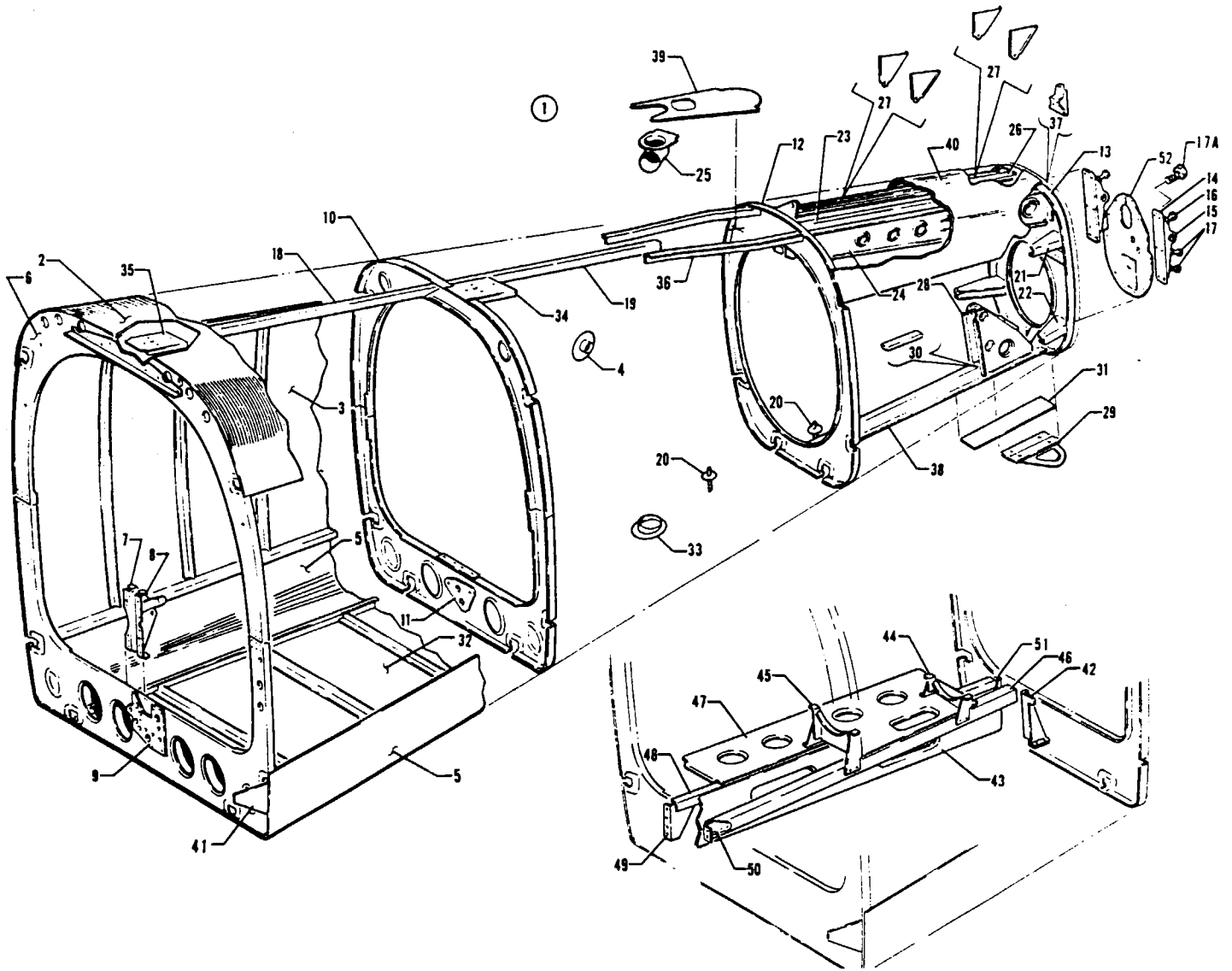


Figure 14 Fuselage Aft Section

REVISED MAY 1983

1C18

PA-34-200T

Island Enterprises

PIPER PARTS CATALOG

CODE EXPLANATIONS FOR FIGURE 14

W - These parts must be ordered from Service Spares Department, Piper Aircraft, Lock Haven, Penna

REVISED MAY 1983

1C19

PA-34-200T

PIPER PARTS CATALOG

Figure and Index Number	Part Number	Code	NOMENCLATURE	No. Req.	SERIAL NUMBERS AFFECTED
14-	95887		DRAWING - Fuselage Assembly, Aft Section		
-1	95887-10		FUSELAGE ASSEMBLY - Aft section	1	34-7570001 to 34-7670063 incl
	37647-904		FUSELAGE ASSEMBLY - Aft section	1	34-7670064 and up
-2	95887-12		* SKIN - Top	1	
-3	99470-10		* SKIN ASSEMBLY - Side, left	1	
	99470-08		* SKIN ASSEMBLY - Side, right	1	
-4	78443-00		* * COLLAR ASSEMBLY - Air inlet, combustion heater, right	1	
-5	99471-02		* SKIN - Bottom side, left	1	
	99471-06		* SKIN - Bottom side, right	1	
-6	95546-03		* FRAME ASSEMBLY - Sta 187 84	1	
-7	95944-00		* * BRACKET ASSEMBLY - Stabilator spring	1	
-8	95111-00		* * BRACKET ASSEMBLY - Stabilator spring	1	
-9	95542-00		* * FAIRLEAD - Sta 187 84	1	
-10	62443-06		* FRAME ASSEMBLY - Sta 222 43	1	
-11	95594-00		* * FAIRLEAD	1	
-12	62444-04		* FRAME ASSEMBLY - Sta 259 31	1	
-13	62445-03		* FRAME ASSEMBLY - Sta 285 83	1	
-14	95980-00		* FITTING ASSEMBLY - Stabilator attachment	2	
-15	452 538		* * BEARING - (PS10020-21-1)	1	
-16	553 266		* * BOLT - (NKN428-3-7)	2	
	404 224	W	* * NUT - (AN315-3R)	2	
-17	402 897		* * BOLT - (NAS464P3A4)	8	
	407 564	W	* * WASHER - (AN960-10)	8	
	404 556		* * NUT - (MS21045-L3)	8	
-17a	402 890		* * BOLT - (NAS464P3A5) top	4	
	404 564		* * WASHER - (AN960-10)	4	
	404 556		* * NUT - (MS21045-L3)	4	
-18	65114-00		* STRINGER - Fuselage, aft	1	
-19	78612-00		* STRINGER - Fuselage, aft	1	
-20	79290-00		* TUBE ASSEMBLY - Drain	2	
-21	62413-00		* FITTING ASSEMBLY - Top tail cone, left	1	
	62413-01		* FITTING ASSEMBLY - Top tail cone, right	1	
-22	62414-00		* FITTING ASSEMBLY - Bottom tail cone, left	1	
	62414-01		* FITTING ASSEMBLY - Bottom tail cone, right	1	
-23	95939-00		* BRACKET - Pulley, rudder control, inboard, left	1	
	95939-01		* BRACKET - Pulley, rudder control, inboard, right	1	
-24	95940-00		* BRACKET - Pulley, rudder control, outboard, left	1	
	95940-01		* BRACKET - Pulley, rudder control, outboard, right	1	
-25	78609-00		* FITTING ASSEMBLY - Air	1	
-26	62451-02		* HAT ASSEMBLY - Aft fuselage	1	
-27	62452-00		* * BRACKET - Stabilator pulley, left	2	
	62452-01		* * BRACKET - Stabilator pulley, right	2	
-28	95888-00		* BRACKET ASSEMBLY - Aft fuselage	1	
-29	66769-00		* SKID ASSEMBLY - Tail	1	
-30	62471-00		* SPACER - Tail skid	2	
-31	99474-00		* FILLER - Tail skid	1	
-32	99469-08		* SKIN ASSEMBLY - Bottom, center	1	
-33	37736-00		* * SUPPORT ASSEMBLY - Exhaust shroud	1	
-34	99805-03		* DOUBLER - Antenna, aft	1	
-35	99813-02		* DOUBLER - Antenna, forward	1	

When ordering, always specify Part Number, Description and Serial Number of Aircraft

PIPER PARTS CATALOG

Figure and Index Number	Part Number	Code	NOMENCLATURE	No. Req.	SERIAL NUMBERS AFFECTED
14-36	78608-02		* STRINGER - Upper skin, left	1	
	78608-03		* STRINGER - Upper skin, right	1	
-37	95799-00		* BRACKET - Rudder sector, left	1	
	95799-01		* BRACKET - Rudder sector, right	1	
-38	62455-02		* HAT ASSEMBLY - Aft fuselage	1	
-39	78606-00		* DOUBLER - Upper skin	1	
-40	95887-06		* DOUBLER - Sta 256.98 to Sta 285.36	1	
-41	68991-00		GUSSET - Cargo hatch, lower, aft	1	
-42	78399-00		BRACKET - Combustion heater	1	
-43	78411-00		WEB - Combustion heater	1	
-44	37163-11		SUPPORT ASSEMBLY - Combustion heater	1	
-45	37163-15		SUPPORT ASSEMBLY - Combustion heater	1	
-46	37163-13		ANGLE - Combustion heater	1	
-47	37163-17		WEB - Combustion heater	1	
-48	37163-02		ANGLE - Combustion heater	1	
-49	78407-00		BRACKET ASSEMBLY - Combustion heater	1	
-50	37163-19		CLIP - Combustion heater	1	
-51	78410-00		BRACKET ASSEMBLY - Combustion heater	1	
-52	65494-02		PLATE ASSEMBLY - Aft fuselage closeout	1	

When ordering, always specify Part Number, Description and Serial Number of Aircraft

1C22 THRU 1C24
INTENTIONALLY LEFT BLANK

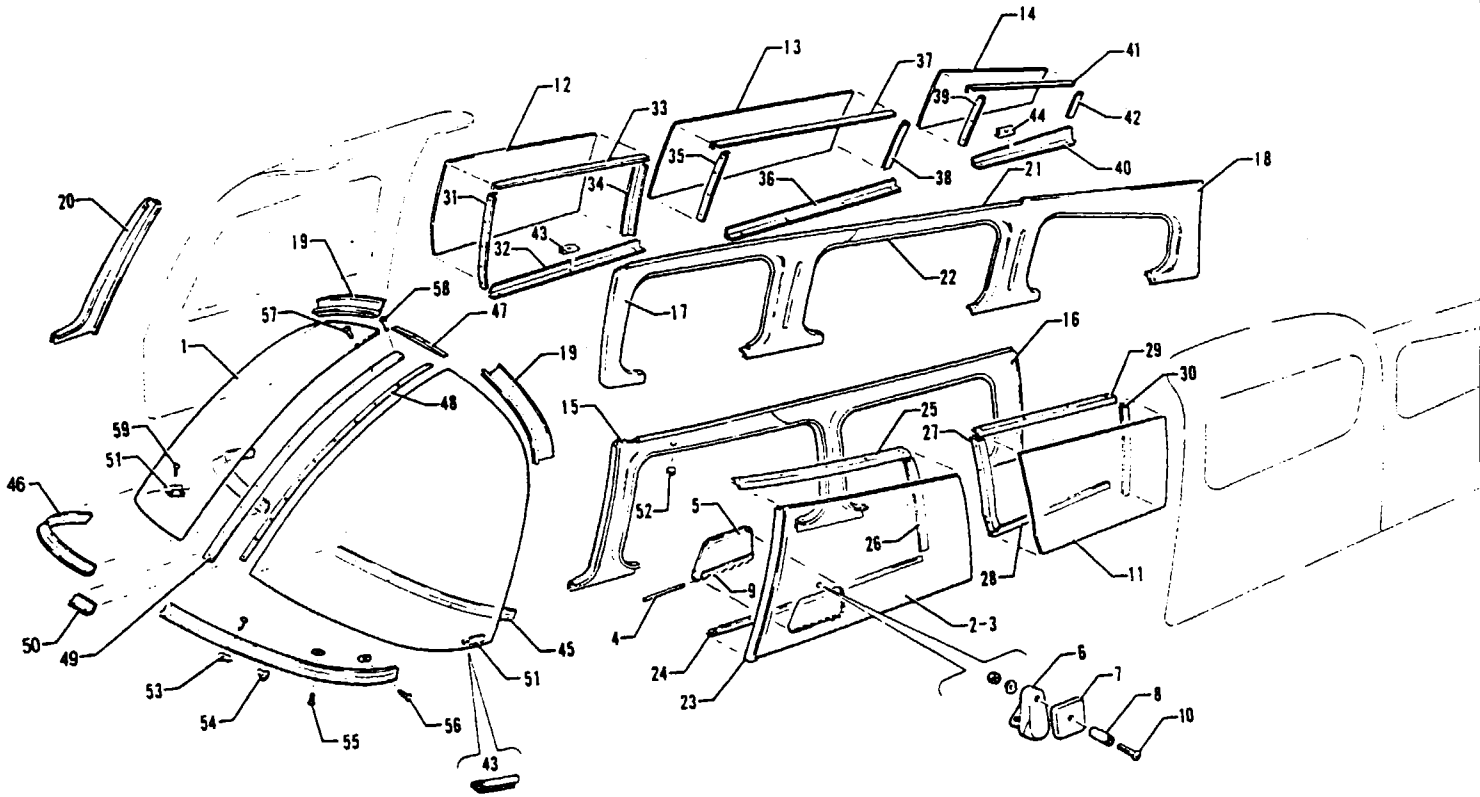


Figure 15. Fuselage Enclosure Installation

REVISED: MARCH 1980

1D1

PA-34-200T

PIPER PARTS CATALOG

CODE EXPLANATIONS FOR FIGURE 15

- A - Used if .250 thick sound reduction windshield is installed.
- B - Used if shoulder harness without inertia reel is installed.
- C - Used if shoulder harness with inertia reel is installed.
- W - These parts must be ordered from Service Spares Department, Piper Aircraft, Lock Haven, Penna.

PIPER PARTS CATALOG

Figure and Index Number	Part Number	Code	NOMENCLATURE	No. Req.	SERIAL NUMBERS AFFECTED
15-	69220 78271 76363 78349	A	DRAWING - Windshield Installation DRAWING - Windshield Installation DRAWING - Window Installation DRAWING - Window Frame Installation		
-1	69220-24 69220-22 78271-03 78271-05 69220-25 69220-23 78271-04 78271-06		WINDSHIELD - Left, clear (125 thick) WINDSHIELD - Left, tinted (.125 thick) WINDSHIELD - Left, clear (250 thick) WINDSHIELD - Left, tinted (250 thick) WINDSHIELD - Right, clear (125 thick) WINDSHIELD - Right, tinted (125 thick) WINDSHIELD - Right, clear (250 thick) WINDSHIELD - Right, tinted (250 thick)	1 1 1 1 1 1 1 1	
-2	69713-00 69713-03 69713-02 69713-04		WINDOW ASSEMBLY - Front, left, clear WINDOW ASSEMBLY - Front, left, clear WINDOW ASSEMBLY - Front, left, tinted WINDOW ASSEMBLY - Front, left, tinted	1 1 1 1	34-7570001 to 34-7770022 incl 34-7770023 and up 34-7570001 to 34-7770022 incl 34-7770023 and up
-3	69712-00 69712-03 69712-02 69712-04		* WINDOW - Front, left, clear * WINDOW - Front, left, clear * WINDOW - Front, left, tinted * WINDOW - Front, left, tinted	1 1 1 1	34-7570001 to 34-7770022 incl 34-7770023 and up 34-7570001 to 34-7770022 incl 34-7770023 and up
-4	63744-09		* PIN - Storm window hinge	1	
-5	65896-00 65896-02		* WINDOW ASSEMBLY - Storm, clear * WINDOW ASSEMBLY - Storm, tinted	1 1	
-6	65742-00	W	* LATCH - Storm window	1	
-7	65741-00		* SPACER - Storm window latch	1	
-8	65003-10		* BUSHING - Storm window latch	1	
-9	65782-00		* HINGE HALF - Storm window	1	
-10	415 522 408 832 407 041 477 696	W	* SCREW - (MS35206-232) * WASHER - Shakeproof (3502-10-71) * WASHER - Lock (MS35338-41) * NUT - Dome (8061-NP)	1 1 1 1	
-11	69704-00 69704-02 69704-03 69704-04		WINDOW - Middle, left, clear (.080 thick) WINDOW - Middle, left, tinted (.080 thick) WINDOW - Middle, left, clear (125 thick) WINDOW - Middle, left, tinted (.125 thick)	1 1 1 1	
-12	69705-00 69705-02 69705-03 69705-04		WINDOW - Middle, right, clear (.080 thick) WINDOW - Middle, right, tinted (.080 thick) WINDOW - Middle, right, clear (125 thick) WINDOW - Middle, right, tinted (125 thick)	1 1 1 1	
-13	68306-00 68306-02 68306-03 68306-04		WINDOW - Middle, right, clear (080 thick) WINDOW - Middle, right, tinted (080 thick) WINDOW - Middle, right, clear (125 thick) WINDOW - Middle, right, tinted (125 thick)	1 1 1 1	
-14	69707-00 69707-02 69707-03 69707-04		WINDOW - Rear, right, clear (080 thick) WINDOW - Rear, right, tinted (080 thick) WINDOW - Rear, right, clear (125 thick) WINDOW - Rear, right, tinted (125 thick)	1 1 1 1	
-15	78349-14 78349-15		COVER ASSEMBLY - Window trim, forward, left COVER ASSEMBLY - Window trim, forward, left	1 1	34-7570001 to 34-7670063 incl 34-7670064 and up
-16	78349-10 78349-23 78349-04	B C	COVER ASSEMBLY - Window trim, middle, left COVER ASSEMBLY - Window trim, middle, left COVER ASSEMBLY - Window trim, middle, left	1 1 1	
-17	78349-12 78349-25 78349-08	C B C	COVER ASSEMBLY - Window trim, middle, left COVER ASSEMBLY - Window trim, middle, right COVER ASSEMBLY - Window trim, middle, right	1 1 1	
-18	78349-11		COVER ASSEMBLY - Window trim, rear, right	1	

When ordering, always specify Part Number, Description and Serial Number of Aircraft

PIPER PARTS CATALOG

Figure and Index Number	Part Number	Code	NOMENCLATURE	No. Req.	SERIAL NUMBERS AFFECTED
15-19	68688-04		COVER - Windshield trim, left	1	34-7570001 to 34-7670063 incl.
	63149-22		COVER - Windshield trim, left	1	34-7670064 and up
	68688-05		COVER - Windshield trim, right	1	34-7570001 to 34-7670063 incl.
	63149-23		COVER - Windshield trim, right	1	34-7670064 and up
-20	79171-02		COVER - Window trim, front, right	1	34-7570001 to 34-7670063 incl.
	79171-13		COVER - Window trim, front, right	1	34-7670064 and up
-21	78057-00		RETAINER - Window frame, extrusion	10	
-22	99997-00		EXTRUSION - Vinyl	AR	
-23	63071-02		ANGLE - Left front, front window	1	34-7570001 to 34-7670063 incl.
	79562-00		ANGLE - Left front, front window	1	34-7670064 and up
-24	69709-00		RETAINER - Left bottom, front window	1	
-25	68293-02		ANGLE - Left top, front window	1	
-26	69700-00		RETAINER - Left rear, front window	1	
-27	69701-00		RETAINER - Left front, middle window	1	
-28	69642-00		ANGLE - Left bottom, middle window	1	
-29	69708-00		RETAINER - Left top, middle window	1	
-30	68297-00		ANGLE - Left rear, middle window	1	
-31	69701-01		RETAINER - Right front, middle window	1	
-32	69643-00		ANGLE - Right bottom, middle window	1	
-33	69710-00		RETAINER - Right top, middle window	1	
-34	68297-01		ANGLE - Right rear, middle window	1	
-35	68300-00		ANGLE - Right front, middle window	1	
-36	69644-00		ANGLE - Right bottom, middle window	1	
-37	68301-00		ANGLE - Right top, middle window	1	
-38	68303-00		ANGLE - Right rear, middle window	1	
-39	69717-00		RETAINER - Right front, aft window	1	
-40	69714-00		RETAINER - Right bottom, aft window	1	
-41	69716-00		RETAINER - Right top, aft window	1	
-42	69715-00		RETAINER - Right rear, aft window	1	
-43	99943-00		RETAINER - Window panel	10	
-44	78086-00		RETAINER - Aft window	2	
-45	69220-18		COLLAR - Inside, left	1	
	69220-19		COLLAR - Inside, right	1	
-46	69220-04		COLLAR - Outside, left	1	
	69220-05		COLLAR - Outside, right	1	
-47	78638-00	A	SPACER - Windshield	1	
-48	79296-11	A	SPACER	1	
-49	63070-07		TRIM STRIP - Windshield, center	1	34-7570001 to 34-7670063 incl.
	79557-00		TRIM STRIP - Windshield, center	1	34-7670064 and up
-50	69219-00		PLATE - Windshield collar	1	
-51	79154-00		RETAINER - Windshield, left	1	
	79155-00		RETAINER - Windshield, right	1	
-52	581 928		PLUG - (207-200201-00-0103)	9	
-53	406 809	W	ANCHOR NUT - (NAS687A06K)	2	
	486 262		SCREW - (NAS601-8P)	2	
-54	406 642	W	ANCHOR NUT - (NAS684A06K)	2	
	486 262		SCREW - (NAS601-8P)	2	
-55	406 832	W	ANCHOR NUT - (NAS686A06K)	18	
	486 262		SCREW - (NAS601-8P)	18	
-56	415 521	W	SCREW - (MS35206-231)	2	
-57	415 536	W	SCREW - (MS35206-246)	8	
	415 537	A,W	SCREW - (MS35206-247)	8	

When ordering, always specify Part Number, Description and Serial Number of Aircraft

PIPER PARTS CATALOG

Figure and Index Number	Part Number	Code	NOMENCLATURE	No. Req.	SERIAL NUMBERS AFFECTED
15-58	415 544	W	SCREW - (MS35206-244)	1	
	415 535	A	SCREW - (MS35206-245)	1	
-59	419 683	W	SCREW - (4 x 1/2 oval head, Type A)	4	
	494 001	W	WASHER - (4 Finishing)	4	

When ordering, always specify Part Number, Description and Serial Number of Aircraft

PIPER PARTS CATALOG

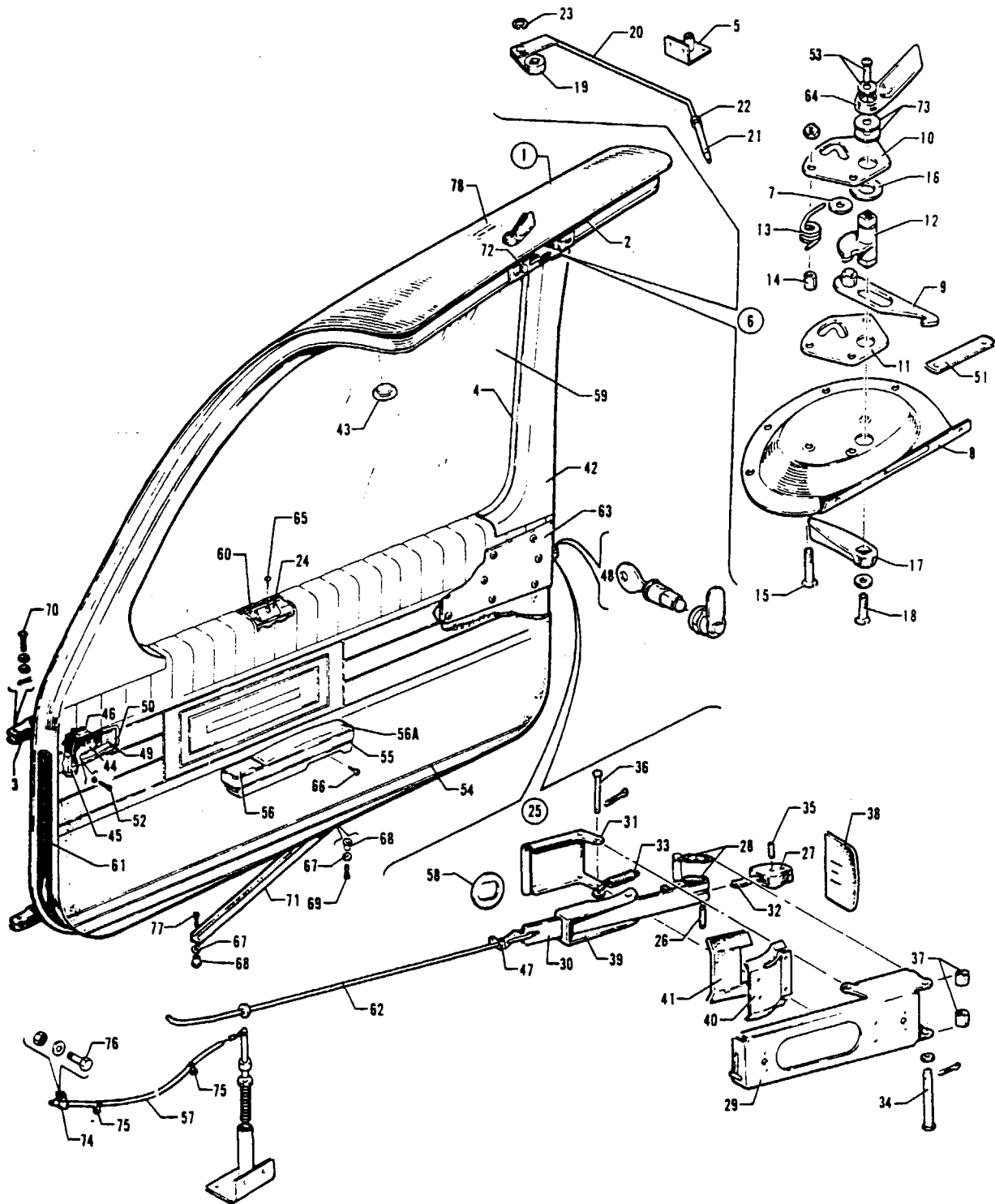


Figure 16 Fuselage Forward Cabin Door
(Serial Nos. 34-7570001 to 34-7670063 inclusive)

PIPER PARTS CATALOG

CODE EXPLANATIONS FOR FIGURE 16

- A - Complete Door Assembly not available. Order component parts.
- B - When ordering specify color red, blue/green, gold, black or green.
- W - These parts must be ordered from Service Spares Department, Piper Aircraft, Lock Haven, Penna.

PIPER PARTS CATALOG

Figure and Index Number	Part Number	Code	NOMENCLATURE	No. Req.	SERIAL NUMBERS AFFECTED
16-	95005		DRAWING - Doors Installation		
-1	79209-05	A	DOOR ASSEMBLY - Cabin, forward (complete)	1	
-2	66652-13		* DOOR ASSEMBLY - Cabin	1	
-3	66913-04		* * HINGE - Cabin door assembly, top	1	
	66914-03		* * HINGE - Cabin door assembly, bottom	1	
-4	99997-00		* EXTRUSION - Vinyl	7	
-5	96872-03		* * BRACKET ASSEMBLY - Upper latch	1	
-6	96919-00		* LATCH ASSEMBLY - Door, auxiliary	1	
-7	62833-06		* * WASHER	1	
-8	68180-00		* * PAN - Door latch	1	
-9	63036-00		* * HOOK ASSEMBLY - Door latch	1	
-10	68179-00		* * PLATE - Door latch	1	
-11	68179-02		* * PLATE - Door latch	1	
-12	63042-02		* * CAM - Door latch	1	
-13	63045-00		* * SPRING - Door latch	1	
-14	63900-50		* * BUSHING	3	
-15	414 769	W	* * SCREW - (MS24693-S53)	3	
	404 833	W	* * NUT - (MS20364-832C)	3	
-16	407 569	W	* * WASHER - (AN960-816)	1	
-17	63039-00		* * HANDLE - Door, auxiliary	1	
-18	415 535		* * SCREW - Door handle (MS35206-245)	1	
	407 586	W	* * WASHER - Door handle (AN960-516L)	1	
-19	96870-00		* * BRACKET ASSEMBLY - Rod attachment	1	
-20	96869-00		* * ROD ASSEMBLY - Upper latch	1	
-21	96868-00		* * PIN - Upper latch	1	
-22	404 224	W	* * NUT - (AN315-3R)	1	
-23	484 830		* * RING - Retainer (5115-25MD)	1	
-24	99943-00		* RETAINER - Door panel	2	
-25	68188-00		* LATCH ASSEMBLY - Door	1	
-26	14627-03	W	* * PIN - Door latch	1	
-27	69224-00		* * TONGUE ASSEMBLY - Door latch	1	
-28	14635-02	W	* * SPRING	2	
-29	79434-00	W	* * HOUSING ASSEMBLY - Door latch	1	
-30	66654-00		* * PLATE ASSEMBLY	1	
-31	79594-00		* * PLATE	1	
-32	81262-68	W	* * LINK	1	
-33	83302-43	W	* * SPRING	1	
-34	424 163	W	* * PIN - (AN392-53)	1	
	407 562	W	* * WASHER - (AN960-6)	1	
	424 051	W	* * COTTER PIN - (MS24665-132)	1	
-35	480 694	W	* * ROLL PIN - (59-028-125-05625)	1	
-36	424 162	W	* * PIN - (AN392-49)	1	
	407 562	W	* * WASHER - (AN960-6)	1	
	424 051	W	* * COTTER PIN - (MS24665-132)	1	
-37	14843-90	W	* * BUSHING	2	
-38	21478-00		* * SEAL	1	
-39	66641-00		* * PLATE - Door latch stop	1	
-40	21843-00	W	* * PLATE - Seal support	1	
-41	21844-00	W	* * SEAL	1	
-42	79209-11		* COVER - Door trim, window, (complete)	1	
-43	581 928		* PLUG - (207-200201-00-0103)	1	
-44	581 489		* PLATE - Trim, black (311-837-247)	1	

When ordering, always specify Part Number, Description and Serial Number of Aircraft

PIPER PARTS CATALOG

Figure and Index Number	Part Number	Code	NOMENCLATURE	No. Req.	SERIAL NUMBERS AFFECTED
16-45	66647-00		* SPACER - Door handle	1	
-46	66648-00		* SPACER - Door handle	1	
-47	587 221		* SPRING - Pull rod (113-837-199)	1	
-48	752 301	W	* LOCK ASSEMBLY - Forward cabin door (10-377028)	1	
-49	464 046		* HANDLE - Door, right (113-837-020)	1	
-50	459 441		* ESCUTCHEON - Door handle (113-837-239B)	1	
-51	68555-05		* PLACARD - Latch engagement	1	
-52	486 160		* SCREW - (NOO-014-2161)	1	
	494 141		* WASHER - (NOO-012-1131)	1	
-53	415 378		* SCREW - (MS51957-45)	1	
	407 677		* WASHER - (AN960C-516L)	1	
-54	579 783		* PANEL ASSEMBLY - Door, red	1	
	579 782		* PANEL ASSEMBLY - Door, blue/green	1	
	579 781		* PANEL ASSEMBLY - Door, gold	1	
	579 780		* PANEL ASSEMBLY - Door, black	1	
	579 778		* PANEL ASSEMBLY - Door, green	1	
-55	66710-17		* HOUSING ASSEMBLY - Armrest	1	
-56	763 003		* * BOX ASSEMBLY - Ash tray (S-25-AR-C)	1	
-56a	66710-44	B	* PAD - Armrest	1	
-57	96863-00		* ACTUATOR ASSEMBLY - Lower latch	1	
-58	21176-00	W	* SPACER	2	
-59	63006-06		* WINDOW - Door, clear (080 thick)	1	
	79040-00		* WINDOW - Door, clear (125 thick)	1	
	66848-04		* WINDOW - Door, tinted (,080 thick)	1	
	79040-02		* WINDOW - Door, tinted (125 thick)	1	
-60	63006-07		* ANGLE - Door window	1	
-61	189 139		* MOULDING - Cabin door (bulb type)	13	
	19063-02		* MOULDING - Cabin door (quarter-round type)	13	
-62	99783-00		* ROD ASSEMBLY - Door handle	1	
-63	63012-00		* PLATE - Door latch trim	1	
-64	63039-00		* HANDLE - Door, auxiliary	1	
-65	419 933		* SCREW - (4 x 1/2, Type "A")	23	
-66	419 594		* SCREW - (AN530-10R36)	2	
-67	62833-39		WASHER - Door holder (neoprene)	2	
-68	63020-02		BUSHING - Door holder	2	
-69	400 669		BOLT - Clevis (AN23-9A)	1	
-70	424 204		PIN - (MS20392-3C13)	2	
	407 585	W	WASHER - (AN960-416L)	4	
	424 051	W	COTTER PIN - (MS24665-132)	2	
-71	95507-00		HOLDER ASSEMBLY - Door	1	
-72	453 856		BUMPER - Door, white (SJ-5003)	2	
-73	62833-21		WASHER - Neoprene	1	
	407 680	W	WASHER - (AN960C-816)	1	
-74	96864-00		CLAMP - Lower door latch	2	
-75	454 887	W	CLAMP - (PS10017-1-3)	2	
-76	401 266	W	BOLT - (AN3-5A)	1	
	407 564	W	WASHER - (AN960-10)	1	
	404 887	W	NUT - (MS20365-1032C)	1	
-77	400 862	W	BOLT - Clevis (AN23-10A)	1	
-78	87334-02		PLACARD - Door release	1	

When ordering, always specify Part Number, Description and Serial Number of Aircraft

PIPER PARTS CATALOG

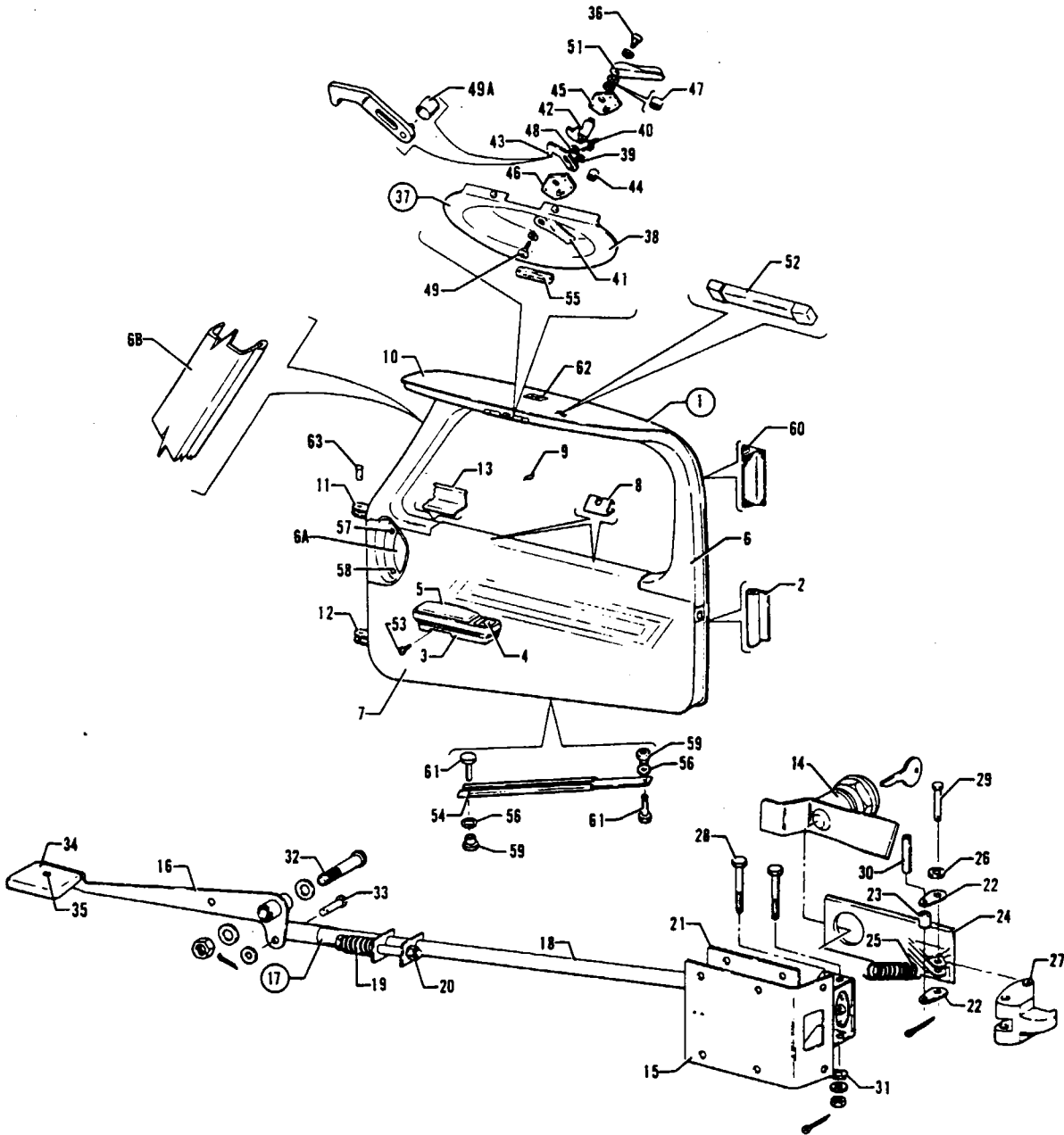


Figure 16A Fuselage Forward Cabin Door
(Serial Nos 34-7670064 and up)

REVISED: MAY 1983

PA-34-200T

1D10

Island Enterprises

PIPER PARTS CATALOG

CODE EXPLANATIONS FOR FIGURE 16A

- A - Complete door assembly not available Order component parts
- B - When ordering specify color red, blue/green, gold, black or green
- C - When ordering specify color red, blue/green, gold, black, green or bark. Specify color "bark I" when ordering for serial nos 34-7770001 to 34-7770164 inclusive Specify color "bark II" when ordering for serial nos 34-7770165 and up
- D - When ordering specify clear or tinted window and .080 or .125 thick windows.
- E - If matching door locks are desired, order Kit 87329-05
- F - Used with door latch hook assembly that has a 3/8 O D welded stud
- G - Used with door latch hook assembly that has a 1/4 O D welded stud and 3/8 O D removable roller
- W - These parts must be ordered from Service Spares Department, Piper Aircraft, Lock Haven, Penna

PIPER PARTS CATALOG

Figure and Index Number	Part Number	Code	NOMENCLATURE	No. Req.	SERIAL NUMBERS AFFECTED
16A-	79546 36722		DRAWING - Doors Installation DRAWING - Door Snubber Installation		34-8070181 and up
-1	79545-04	A	DOOR ASSEMBLY - Complete	1	
-2	189 139		* MOULDING - Cabin door (bulb type)	13	
-3	66710-17		* HOUSING ASSEMBLY - Armrest	1	
-4	763 003		* * BOX ASSEMBLY - Ash tray (S-25-AR-C)	1	
-5	66710-44	B	* PAD - Armrest	1	34-7670064 to 34-7670393 incl
	580 731		* PAD - Armrest, camel	1	34-7770001 and up
	579 507		* PAD - Armrest, olive tone	1	34-7870001 to 34-7970556 incl
	579 508		* PAD - Armrest, midnight blue	1	34-7870001 to 34-7970271 incl
	579 474		* PAD - Armrest, dark blue (fabric)	1	34-7970272 and up
	579 228		* PAD - Armrest, dark blue (vinyl)	1	34-8170001 and up
	579 509		* PAD - Armrest, black	1	34-7870001 to 34-7970556 incl
	579 510		* PAD - Armrest, tan	1	34-7870001 to 34-7970556 incl
	579 472		* PAD - Armrest, firethorn red (fabric)	1	34-8070001 and up
	579 227		* PAD - Armrest, firethorn red (vinyl)	1	34-8170001 and up
	579 473		* PAD - Armrest, buckskin	1	34-8070001 and up
	579 226		* PAD - Armrest, dark cedar	1	34-8170001 and up
-6	79542-14		* COVER - Cabin door upper, white	1	34-7670064 to 34-7670393 incl
	79542-15		* COVER - Cabin door upper, white	1	34-7770001 and up
-6a	79542-05	C	* PAN - Door latch	1	
-6b	99997-00		* EXTRUSION - Vinyl	7	
-7	79544-02	B	* PANEL ASSEMBLY - Cabin door trim	1	34-7670064 to 34-7670393 incl
	580 709		* PANEL ASSEMBLY - Cabin door trim	1	34-7770001 to 34-7770441 incl
	579 409		* PANEL ASSEMBLY - Cabin door trim, white/camel/black	1	34-7870001 and up
	579 555		* PANEL ASSEMBLY - Cabin door trim, olive tone	1	34-7870001 to 34-7970556 incl
	579 556		* PANEL ASSEMBLY - Cabin door trim, midnight blue	1	34-7870001 to 34-7970271 incl
	579 315		* PANEL ASSEMBLY - Cabin door trim, dark blue (fabric)	1	34-7970272 and up
	579 260		* PANEL ASSEMBLY - Cabin door trim, dark blue (vinyl)	1	34-8170001 and up
	579 557		* PANEL ASSEMBLY - Cabin door trim, raspberry/black	1	34-7780001 to 34-7970556 incl
	579 558		* PANEL ASSEMBLY - Cabin door trim, tan/seal	1	34-7870001 to 34-7970556 incl
	579 336		* PANEL ASSEMBLY - Cabin door trim, firethorn red (fabric)	1	34-8070001 and up
	579 259		* PANEL ASSEMBLY - Cabin door trim, firethorn red (vinyl)	1	34-8170001 and up
	579 337		* PANEL ASSEMBLY - Cabin door trim, buckskin	1	34-8070001 and up
	579 258		* PANEL ASSEMBLY - Cabin door trim, dark cedar	1	34-8170001 and up
-8	99943-00		* RETAINER - Side panel	2	
-9	79475-05		* WINDOW - Cabin door (080 thick) clear	1	
	79475-55		* WINDOW - Cabin door (080 thick) tinted	1	
	79475-56		* WINDOW - Cabin door (125 thick) clear	1	
	79475-57		* WINDOW - Cabin door (125 thick) tinted	1	
-10	79475-910	D	* DOOR ASSEMBLY - Cabin (less window)	1	
-11	79475-07		* * HINGE - Cabin door, upper	1	
-12	79475-08		* * HINGE - Cabin door, lower	1	
-13	79475-09		* * RETAINER - Window	1	
-14	87329-07	E	* * LOCK ASSEMBLY - Forward cabin door	1	
-15	79515-35		* * COVER - Cabin door	1	
-16	79515-13		* * HANDLE ASSEMBLY - Cabin door	1	
-17	79515-03		* * LATCH ASSEMBLY - Door	1	
-18	79515-05		* * * TUBE ASSEMBLY - Door latch	1	
-19	587 398		* * * * SPRING - Door latch tube (PS10087-2-1)	1	
-20	400 113	W	* * * * BOLT - (AN4-20)	1	
	407 565	W	* * * * WASHER - (AN960-416)	3	
	404 101	W	* * * * NUT - (AN310-4)	1	
	424 051	W	* * * * COTTER PIN - (MS24665-132)	1	

When ordering, always specify Part Number, Description and Serial Number of Aircraft

PIPER PARTS CATALOG

Figure and Index Number	Part Number	Code	NOMENCLATURE	No. Req.	SERIAL NUMBERS AFFECTED
16A-21	79515-07		*** BOX ASSEMBLY - Door latch	1	
-22	79515-08		*** LINK - Door latch mechanism	2	
-23	79515-15		*** BUSHING - Door latch mechanism	1	
-24	79530-02		*** HANDLE - Door latch mechanism	1	
-25	587 381		*** SPRING - (EO240-037-1750S)	2	
-26	62833-105		*** WASHER - Door latch mechanism	1	
-27	79532-02		*** LATCH - Cabin door	1	
-28	400 665		*** BOLT - (AN21-31)	2	
	407 562	W	*** WASHER - (AN960-6)	2	
	404 391		*** NUT - (AN320-1)	2	
	424 041		*** COTTER PIN - (MS24665-5)	2	
-29	424 178	W	*** PIN - (MS20392-2C-19)	1	
	424 041		*** COTTER PIN - (MS24665-5)	1	
-30	480 800		*** PIN - Spring (MS9048-111)	1	
-31	407 582		*** WASHER - (AN960-6L)	2	
-32	400 668		*** BOLT - (AN23-26)	1	
	407 584	W	*** WASHER - (AN960-10L)	4	
	404 392	W	*** NUT - (AN320-3)	1	
	424 051	W	*** COTTER PIN - (MS24665-132)	1	
-33	424 141	W	*** PIN - (MS20392-1C-9)	1	
	407 562	W	*** WASHER - (AN960-6)	2	
	424 041		*** COTTER PIN - (MS24665-5)	1	
-34	79647-02		* KNOB - Door handle	1	
-35	486 145		* SCREW - Set (P70FS420-4C) 1/4-20 x 1/4" L.	1	
	419 967		* SCREW - Set (1/4-28 x 1/4" L)	1	
-36	519 853		* SCREW - (MS24622-43)	1	
	62833-107		* WASHER - Teflon	1	
	407 680	W	* WASHER - (AN960C-816)	1	
-37	36598-02		* LATCH ASSEMBLY - Door, auxiliary	1	
-38	79475-34		* PAN - Door latch	1	
-39	62833-06		* WASHER	1	
-40	63045-00		* SPRING - Door latch	1	
-41	36590-02		* HANDLE - Door, auxiliary	1	
-42	63042-03		* CAM - Door latch	1	
-43	63036-03		* HOOK ASSEMBLY - Door latch (with 3/8 O D welded stud)	1	
	63036-04		* HOOK ASSEMBLY - Door latch (with 1/4 O D welded stud)	1	
-44	63900-50		* BUSHING	3	
-45	68179-00	F	* PLATE - Door latch	1	
	68179-07	G	* PLATE - Door latch	1	
-46	68179-02	F	* PLATE - Door latch	1	
	68179-08	G	* PLATE - Door latch	1	
-47	63913-76		* BUSHING	1	
-48	407 680	W	* WASHER - (AN960C816)	1	
-49	519 853		* SCREW - (MS24622-43)	1	
	62833-107		* WASHER - Teflon	1	
	407 586	W	* WASHER - (AN960-516L)	1	
-49a	36572-03		* ROLLER - Door latch (3/8 O D)	1	
-50	62833-21		* WASHER - Neoprene	1	
-51	63039-00		* HANDLE - Door auxiliary latch	1	
-52	464 412		* HANDLE - Door, assist (PS10091-1)	1	
-53	419 594		* SCREW - (AN530-10R36)	2	
-54	95507-00		DOOR HOLDER ASSEMBLY	1	34-7670064 to 34-7970556 incl
	95507-05		DOOR HOLDER ASSEMBLY	1	34-8070001 and up

When ordering, always specify Part Number, Description and Serial Number of Aircraft

PIPER PARTS CATALOG

Figure and Index Number	Part Number	Code	NOMENCLATURE	No. Req.	SERIAL NUMBERS AFFECTED
16A-55	68555-05		PLACARD - Door lock	1	34-7670064 to 34-7870492 incl
-56	62833-39		WASHER - Door holder (neoprene)	2	
-57	69669-117		PLACARD - Door, open	1	34-8070181 and up
-58	69669-118		PLACARD - Door latch	1	
-59	63020-02		BUSHING - Door holder	2	
-60	36722-04		SEAL - Door snubber (150" long)	1	
-61	400 862	W	BOLT - (AN23-10A)	2	
-62	87334-02		PLACARD - Door release	1	
-63	424 204		PIN - (MS20392-3C13)	2	
	407 585	W	WASHER - (AN960-416L)	4	
	424 051	W	COTTER PIN - (MS24665-132)	2	

When ordering, always specify Part Number, Description and Serial Number of Aircraft

PIPER PARTS CATALOG

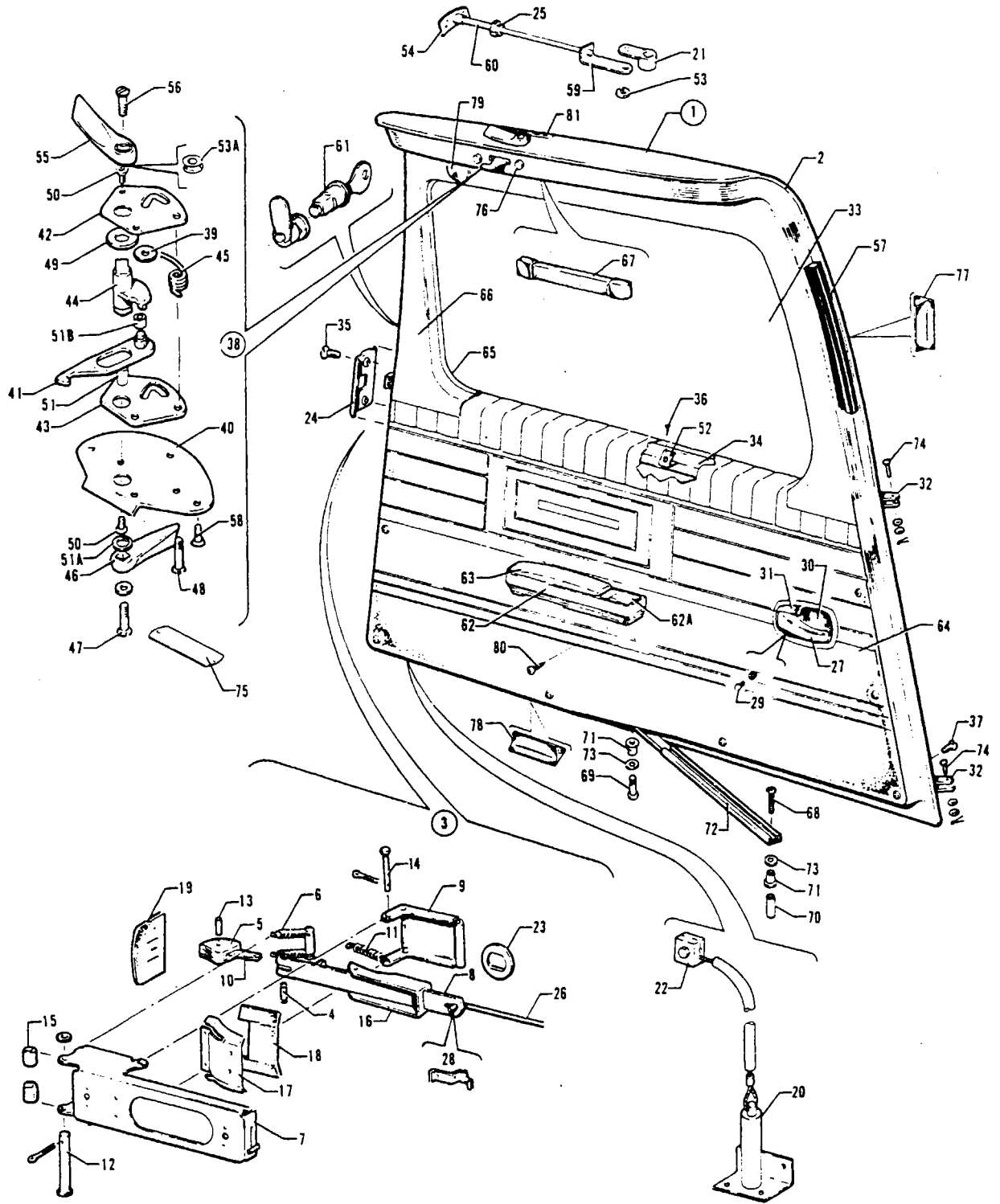


Figure 17 Fuselage Aft Cabin Door

REVISED MAY 1983

PA-34-200T

1D15

Island Enterprises

PIPER PARTS CATALOG

CODE EXPLANATIONS FOR FIGURE 17

- A - When ordering, specify clear or tinted window
- B - When ordering, specify color red, blue/green, gold, green or black
- C - Used if 125 thick sound reduction window is installed.
- D - Used if gray tinted window is installed
- E - If matching door locks are desired, order Kit 87329-05
- F - Used with door latch hook assembly that has a 3/8 O D welded stud
- G - Used with door latch hook assembly that has a 1/4 O D welded stud and 3/8 O D removable roller
- H - Door Assembly includes auxiliary latch assembly Lock assembly, armrest, and trim panel are not included
- W - These parts must be ordered from Service Spares Department, Piper Aircraft, Lock Haven, Penna

PIPER PARTS CATALOG

Figure and Index Number	Part Number	Code	NOMENCLATURE	No. Req.	SERIAL NUMBERS AFFECTED
17-	95005 79546 36722		DRAWING - Doors Installation DRAWING - Doors Installation DRAWING - Door Snubber Installation		34-7570001 to 34-7670063 incl 34-7670064 and up 34-8070181 and up
-1	96981-06 96981-08 96981-10	A.B.H A.B.C.H A.C.H	DOOR ASSEMBLY - Cabin, aft DOOR ASSEMBLY - Cabin, aft DOOR ASSEMBLY - Cabin, aft	1 1 1	34-7570001 to 34-7670393 incl 34-7570001 to 34-7670393 incl 34-7770001 and up
-2	96995-06		* DOOR ASSEMBLY - Cabin aft	1	
-3	68188-00		* LATCH ASSEMBLY - Door, side	1	
-4	14627-03	W	* * PIN - Door latch	1	
-5	69224-00		* * TONGUE ASSEMBLY - Door latch	1	
-6	14635-02	W	* * SPRING	2	
-7	79434-00	W	* * HOUSING ASSEMBLY - Door latch	1	
-8	66654-00		* * PLATE ASSEMBLY	1	
-9	79594-00		* * PLATE	1	
-10	81262-68	W	* * LINK	1	
-11	83302-43	W	* * SPRING	1	
-12	424 163 407 562 424 051	W W W	* * PIN - (MS20392-1C53) * * WASHER - (AN960-6) * * COTTER PIN - (MS24665-132)	1 1 1	
-13	480 694	W	* * ROLL PIN - (59-028-125-05625)	1	
-14	424 162 407 562 424 051	W W W	* * PIN - (AN392-49) * * WASHER - (AN960-6) * * COTTER PIN - (MS24665-132)	1 1 1	
-15	14843-90	W	* * BUSHING	2	
-16	66641-00		* * PLATE - Door latch stop	1	
-17	21843-00	W	* * PLATE - Seal support	1	
-18	21844-00	W	* * SEAL	1	
-19	21478-00		* * SEAL	1	
-20	96863-06		* ACTUATOR ASSEMBLY - Door latch, lower	1	
-21	96999-00		* ARM ASSEMBLY - Aft cabin door	1	
-22	96864-00		* CLAMP - Lower door latch	2	
-23	21176-00	W	* SPACER - Door lock	1	
-24	68187-00		* PLATE - Trim, latch	1	
-25	404 224	W	* NUT - (AN315-3R)	1	
-26	99783-00		* ROD - Door latch	1	
-27	464 048		* HANDLE - Door (113-837-019L)	1	
-28	587 221		* SPRING - Pull rod (113-837-199)	1	
-29	486 160 494 141		* SCREW - (NOO-014-2161) * WASHER - (NOO-012-1131)	1 1	
-30	581 489		* PLATE - Trim, black (311-837-247)	1	
-31	459 441		* ESCUTCHEON - (113-837-239B)	1	
-32	68174-00		* HINGE - Aft cabin door	2	
-33	99069-00 99069-03 99069-02 99069-04	 D D	* WINDOW - Aft cabin door (080 thick) * WINDOW - Aft cabin door (125 thick) * WINDOW - Aft cabin door (080 thick) * WINDOW - Aft cabin door (125 thick)	 1 1 1	
-34	99070-00		* RETAINER - Window	1	
-35	414 761 477 673	W	* SCREW - (MS24693-S48) * NUT - (MU-832- 38- 050/ 075-L-F10)	2 2	
-36	419 933		* SCREW - (4 x 1/2 Type "A")	16	
-37	415 533 407 120		* SCREW - (MS35206-243) * WASHER - Lock (AN936B8)	12 12	

When ordering, always specify Part Number Description and Serial Number of Aircraft

PIPER PARTS CATALOG

Figure and Index Number	Part Number	Code	NOMENCLATURE	No. Req.	SERIAL NUMBERS AFFECTED
17-38	96993-02		* LATCH ASSEMBLY - Aft cabin door, auxiliary	1	
-39	407 585	W	* * WASHER - (AN960-416L)	1	
-40	68186-02		* * PAN - Door latch	1	
-41	68176-02		* * HOOK ASSEMBLY - Door latch (with 3/8 O D welded stud)	1	
	68176-03		* * HOOK ASSEMBLY - Door latch (with 1/4 O D welded stud)	1	
-42	68179-04	F	* * PLATE - Door latch	1	
	68179-06	G	* * PLATE - Door latch	1	
-43	68179-03	F	* * PLATE - Door latch	1	
	68179-05	G	* * PLATE - Door latch	1	
-44	68178-03		* * CAM - Door latch	1	
-45	63045-00		* * SPRING - Door latch	1	
-46	36590-02		* * HANDLE - Door latch, auxiliary	1	
-47	519 853		* * SCREW - Door handle (MS24622-43)	1	
	407 586	W	* * WASHER - Door handle (AN960-516L)	1	
-48	414 769	W	* * SCREW - (AN507-832R14)	2	
	404 833	W	* * NUT - (MS20364-832C)	2	
-49	407 569	W	* * WASHER - (AN960-816)	1	
-50	414 761	W	* * SCREW - Lower (MS24693-S48)	1	
	414 777	W	* * SCREW - Upper (MS24693-S47)	1	
-51	96996-00		* * SPACER - Threaded	1	
-51a	62833-107		* * WASHER - Teflon	1	
-51b	36572-03		* * ROLLER - Door latch (3/8 O.D.)	1	
-52	78086-00		* RETAINER - Door panel	2	
-53	484 830		* RING - (5115-25MD)	1	
-53a	434 138	W	* GROMMET - (MS35489-17)	1	
-54	96991-00		* GUIDE ASSEMBLY - Aft door top latch	1	
-55	63039-00		* HANDLE - Door latch, auxiliary, outside	1	
-56	519 853		* SCREW - (MS24622-43)	1	
	62833-101		* WASHER	1	
-57	189 139		* MOULDING - Cabin door (bulb type)	13	
	19063-02	W	* MOULDING - Cabin door (quarter-round type)	13	
-58	414 761	W	* SCREW - (MS24693-S48)	3	
-59	96984-00		* ROD ASSEMBLY - Door latch, aft	1	
-60	96868-00		* PIN - Upper door latch	1	
-60a	404 224	W	* NUT - (AN315-3R)	1	
-61	87329-11	E	LOCK ASSEMBLY - Aft cabin door	1	
-62	66710-16		HOUSING ASSEMBLY - Armrest	1	
-62a	763 003		* BOX ASSEMBLY - Ash tray (S-25-AR-C)	1	
-63	66710-44	B	PAD - Armrest	1	34-7570001 to 34-7670393 incl
	580 731		PAD - Armrest, camel	1	34-7770001 and up
	579 507		PAD - Armrest, olivetone	1	34-7870001 to 34-7970556 incl
	579 508		PAD - Armrest, midnight blue	1	34-7870001 to 34-7970271 incl
	579 474		PAD - Armrest, dark blue (fabric)	1	34-7970272 and up
	579 228		PAD - Armrest, dark blue (vinyl)	1	34-8170001 and up
	579 509		PAD - Armrest, black	1	34-7870001 to 34-7970556 incl
	579 510		PAD - Armrest, tan	1	34-7870001 to 34-7970556 incl
	579 472		PAD - Armrest, firethorn red (fabric)	1	34-8070001 and up
	579 227		PAD - Armrest, firethorn red (vinyl)	1	34-8170001 and up
	579 473		PAD - Armrest, buckskin	1	34-8070001 and up
	579 226		PAD - Armrest, dark cedar	1	34-8170001 and up
-64	579 795		PANEL ASSEMBLY - Door trim, red	1	34-7570001 to 34-7670393 incl
	579 794		PANEL ASSEMBLY - Door trim, blue/green	1	34-7570001 to 34-7670393 incl
	579 793		PANEL ASSEMBLY - Door trim, gold	1	34-7570001 to 34-7670393 incl
	579 792		PANEL ASSEMBLY - Door trim, black	1	34-7570001 to 34-7670393 incl
	579 790		PANEL ASSEMBLY - Door trim, green	1	34-7570001 to 34-7670393 incl
	580 703		PANEL ASSEMBLY - Door trim	1	34-7770001 to 34-7770441 incl

When ordering, always specify Part Number, Description and Serial Number of Aircraft

PIPER PARTS CATALOG

Figure and Index Number	Part Number	Code	NOMENCLATURE	No. Req.	SERIAL NUMBERS AFFECTED
17-64	579 404		PANEL ASSEMBLY - Door trim, white/camel/black	1	34-7870001 and up
	579 535		PANEL ASSEMBLY - Door trim, olivetone	1	34-7870001 to 34-7970556 incl
	579 536		PANEL ASSEMBLY - Door trim, midnight blue	1	34-7870001 to 34-7970271 incl
	579 310		PANEL ASSEMBLY - Door trim, dark blue (fabric)	1	34-7970272 and up
	579 240		PANEL ASSEMBLY - Door trim, dark blue (vinyl)	1	34-8170001 and up
	579 537		PANEL ASSEMBLY - Door trim, raspberry/black	1	34-7870001 to 34-7970556 incl
	579 538		PANEL ASSEMBLY - Door trim, tan/seal	1	34-7870001 to 34-7970556 incl
	579 326		PANEL ASSEMBLY - Door trim, firethorn red (fabric)	1	34-8070001 and up
	579 239		PANEL ASSEMBLY - Door trim, firethorn red (vinyl)	1	34-8170001 and up
	579 327		PANEL ASSEMBLY - Door trim, buckskin	1	34-8070001 and up
	579 238		PANEL ASSEMBLY - Door trim, dark cedar	1	34-8170001 and up
-65	99997-00		EXTRUSION - Vinyl	25	
-66	78085-07		COVER - Window trim	1	34-7570001 to 34-7670093 incl
	78085-13		COVER - Window trim	1	34-7770001 and up
-67	464 412		HANDLE - Door, assist (PS10091-1)	1	34-7770001 and up
-68	400 870		BOLT - (AN23-18A)	1	
-69	400 669		BOLT - (AN23-9A)	1	
-70	63900-25		BUSHING	1	
-71	63020-02		BUSHING	2	
-72	65727-00		HOLDER ASSEMBLY - Door	1	
-73	62833-39		WASHER - Neoprene	2	
-74	424 204		PIN - (MS20392-3C13)	2	
	407 585	W	WASHER - (AN960-416L)	4	
	424 051	W	COTTER PIN - (MS24665-132)	2	
-75	68555-05		PLACARD - Door lock	1	34-7670064 to 34-7870492 incl
-76	453 856		BUMPER - Door, white (SJ-5003)	2	
-77	36722-08		SEAL - Door snubber (100" long)	1	34-8070181 and up
-78	36722-09		SEAL - Door snubber, bottom (60" long)	1	34-8070181 and up
-79	453 674		PLUG - (SS50834)	1	
-80	419 594		SCREW - (AN530-10R36)	2	
-81	87335-02		PLACARD - Door release	1	

When ordering, always specify Part Number, Description and Serial Number of Aircraft

PIPER PARTS CATALOG

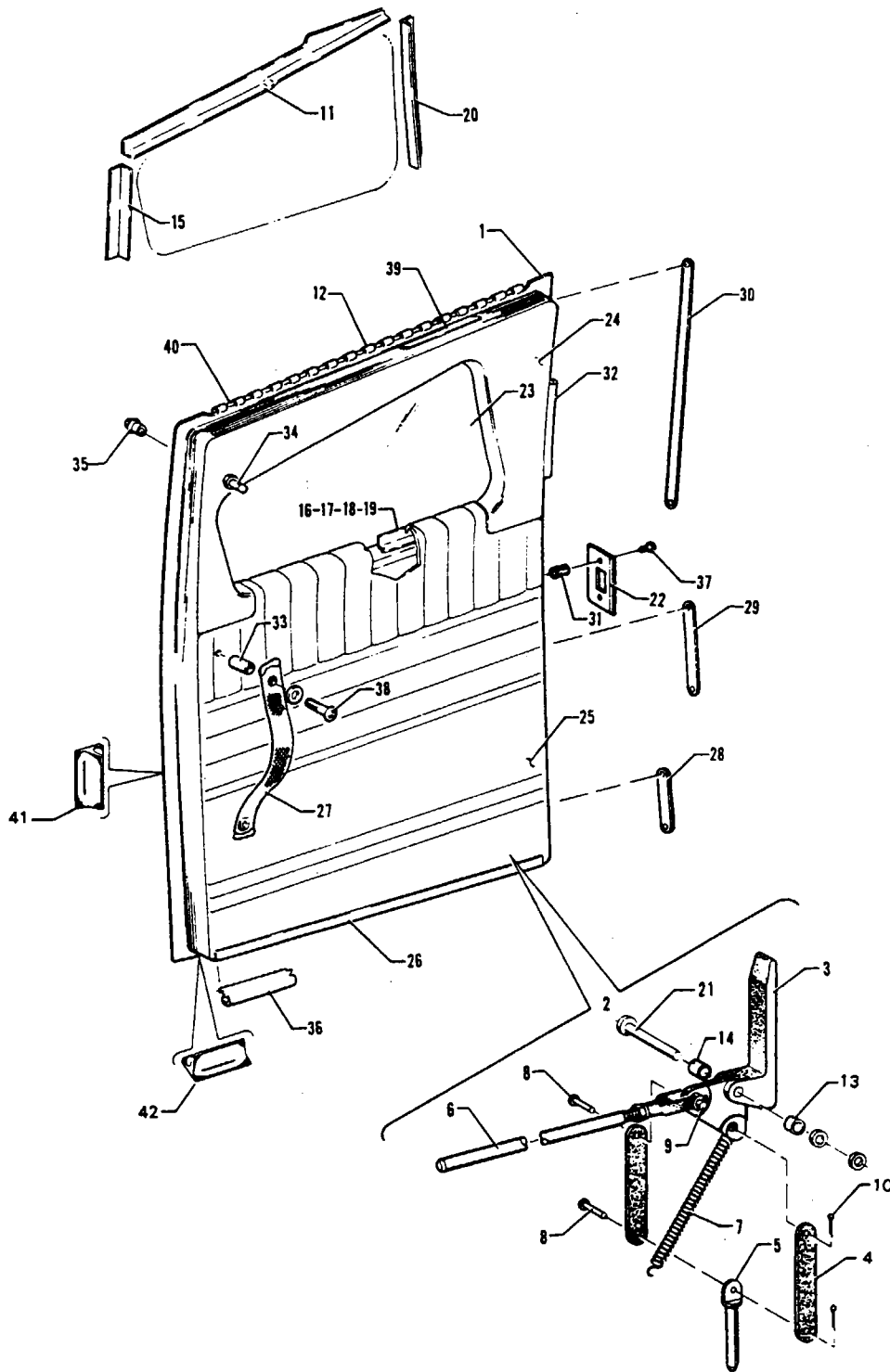


Figure 18. Fuselage Aft Cargo Door

PIPER PARTS CATALOG

CODE EXPLANATIONS FOR FIGURE 18

- A - Complete door assembly not available. Order component parts.
- W - These parts must be ordered from Service Spares Department, Piper Aircraft, Lock Haven, Penna.

PIPER PARTS CATALOG

Figure and Index Number	Part Number	Code	NOMENCLATURE	No. Req.	SERIAL NUMBERS AFFECTED
18-	95005 79546 36722		DRAWING - Doors Installation DRAWING - Doors Installation DRAWING - Door Snubber Installation		34-7570001 to 34-7670063 incl 34-7670064 and up 34-8070181 and up
-1	69858-02		DOOR ASSEMBLY - Cargo (less window)	1	
-2	68976-00		* LATCH ASSEMBLY - Cargo door	1	
-3	69112-00		* * HANDLE - Cargo door latch	1	
-4	68980-00		* * LINK - Cargo door latch	2	
-5	68978-00		* * PIN - Cargo door latch	1	
-6	68981-00		* * PIN ASSEMBLY - Cargo door latch	1	
-7	68963-00		* * SPRING - Cargo door	1	
-8	424 172		* * PIN - (MS20392-2C9)	2	
-9	424 192	W	* * PIN - (MS20392-2C15)	1	
-10	424 095	W	* * COTTER PIN - (MS23665-151)	2	
-11	69722-00		* ANGLE - Top, cargo door	1	
-12	68964-00		* HINGE HALF - Cargo door	1	
-13	63900-81		* BUSHING - Cargo door	1	
-14	63900-82		* BUSHING - Cargo door	1	
-15	69723-00		* ANGLE - Rear, cargo door	1	
-16	69724-00		* RETAINER - Front, cargo door window	1	
-17	69714-01		* RETAINER - Bottom, cargo door window	1	
-18	69725-00		* RETAINER - Top, cargo door window	1	
-19	69726-00		* RETAINER - Rear, cargo door window	1	
-20	69721-00		* ANGLE - Front, cargo door	1	
-21	411 540	W	* SCREW - (MS35207-271)	1	
	407 564	W	* WASHER - (AN960-10)	1	
	404 887	W	* NUT - (MS20365-1032C)	1	
-22	63293-02		PLATE - Door latch striker	1	
-23	69706-00		WINDOW - Cargo door, clear (.080 thick)	1	
	69706-02		WINDOW - Cargo door, tinted (.080 thick)	1	
	69706-03		WINDOW - Cargo door, clear (.125 thick)	1	
	69706-04		WINDOW - Cargo door, tinted (.125 thick)	1	
-24	69859-03		COVER - Upper cargo door	1	34-7570001 to 34-7670393 incl
	69859-07		COVER - Upper cargo door	1	34-7770001 and up
-25	579 919		PANEL ASSEMBLY - Cargo door, red	1	34-7570001 to 34-7670393 incl.
	579 918		PANEL ASSEMBLY - Cargo door, blue/green	1	34-7570001 to 34-7670393 incl
	579 917		PANEL ASSEMBLY - Cargo door, gold	1	34-7570001 to 34-7670393 incl
	579 916		PANEL ASSEMBLY - Cargo door, black	1	34-7570001 to 34-7670393 incl
	579 914		PANEL ASSEMBLY - Cargo door, green	1	34-7570001 to 34-7670393 incl.
	580 699		PANEL ASSEMBLY - Cargo door	1	34-7770001 to 34-7770441 incl
	579 400		PANEL ASSEMBLY - Cargo door, white/camel/black	1	34-7870001 and up
	579 519		PANEL ASSEMBLY - Cargo door, olivetone	1	34-7870001 to 34-7970556 incl
	579 520		PANEL ASSEMBLY - Cargo door, midnight blue	1	34-7870001 to 34-7970271 incl
	579 306		PANEL ASSEMBLY - Cargo door, dark blue (fabric)	1	34-7970272 and up
	579 231		PANEL ASSEMBLY - Cargo door, dark blue (vinyl)	1	34-8170001 and up
	579 521		PANEL ASSEMBLY - Cargo door, raspberry/black	1	34-7870001 to 34-7970556 incl
	579 522		PANEL ASSEMBLY - Cargo door, tan/seal	1	34-7870001 to 34-7970556 incl
	579 318		PANEL ASSEMBLY - Cargo door, firethorn red (fabric)	1	34-8070001 and up
	579 230		PANEL ASSEMBLY - Cargo door, firethorn red (vinyl)	1	34-8170001 and up
	579 319		PANEL ASSEMBLY - Cargo door, buckskin	1	34-8070001 and up
	579 229		PANEL ASSEMBLY - Cargo door, dark cedar	1	34-8170001 and up
-26	68547-04		RETAINER - Cargo door, lower	1	
-27	65440-07		STRAP ASSEMBLY - Cargo door, white	1	
-28	63142-28		TRIM STRIP - Cargo door, lower	1	
-29	63142-29		TRIM STRIP - Cargo door, middle	1	
-30	63142-30		TRIM STRIP - Cargo door, upper	1	
-31	63257-00		BUSHING - Striker plate	2	
-32	68999-08		WINDLACING - Cargo door	1	

When ordering, always specify Part Number, Description and Serial Number of Aircraft

PIPER PARTS CATALOG

Figure and Index Number	Part Number	Code	NOMENCLATURE	No. Req.	SERIAL NUMBERS AFFECTED
18-33	63900-79		BUSHING - Cargo door (55 long)	1	
	63900-136		BUSHING - Cargo door (.40 long)	1	
-34	487 674		STUD - (XX-16362 x 3/8)	1	
-35	406 863	W	RIVNUT - (A8K-75)	1	
-36	189 139		MOULDING - Cargo door (bulb type)	2'	
	19063-02		MOULDING - Cargo door (quarter-round type)	2'	
-37	415 454	W	SCREW - (AN526-832R16)	2	
-38	415 454	W	SCREW - (AN526-832R16)	1	
	407 564	W	WASHER - (AN960-10)	1	
-39	65692-02		SEAL - Cargo door	1	
-40	63744-10		PIN - Hinge, cargo door	1	
-41	36722-11		SEAL - Door snubber, aft (29" long)	1	34-8070181 and up
-42	36722-09		SEAL - Door snubber, bottom (60" long)	1	34-8070181 and up

When ordering, always specify Part Number, Description and Serial Number of Aircraft

1D24

INTENTIONALLY LEFT BLANK

PIPER PARTS CATALOG

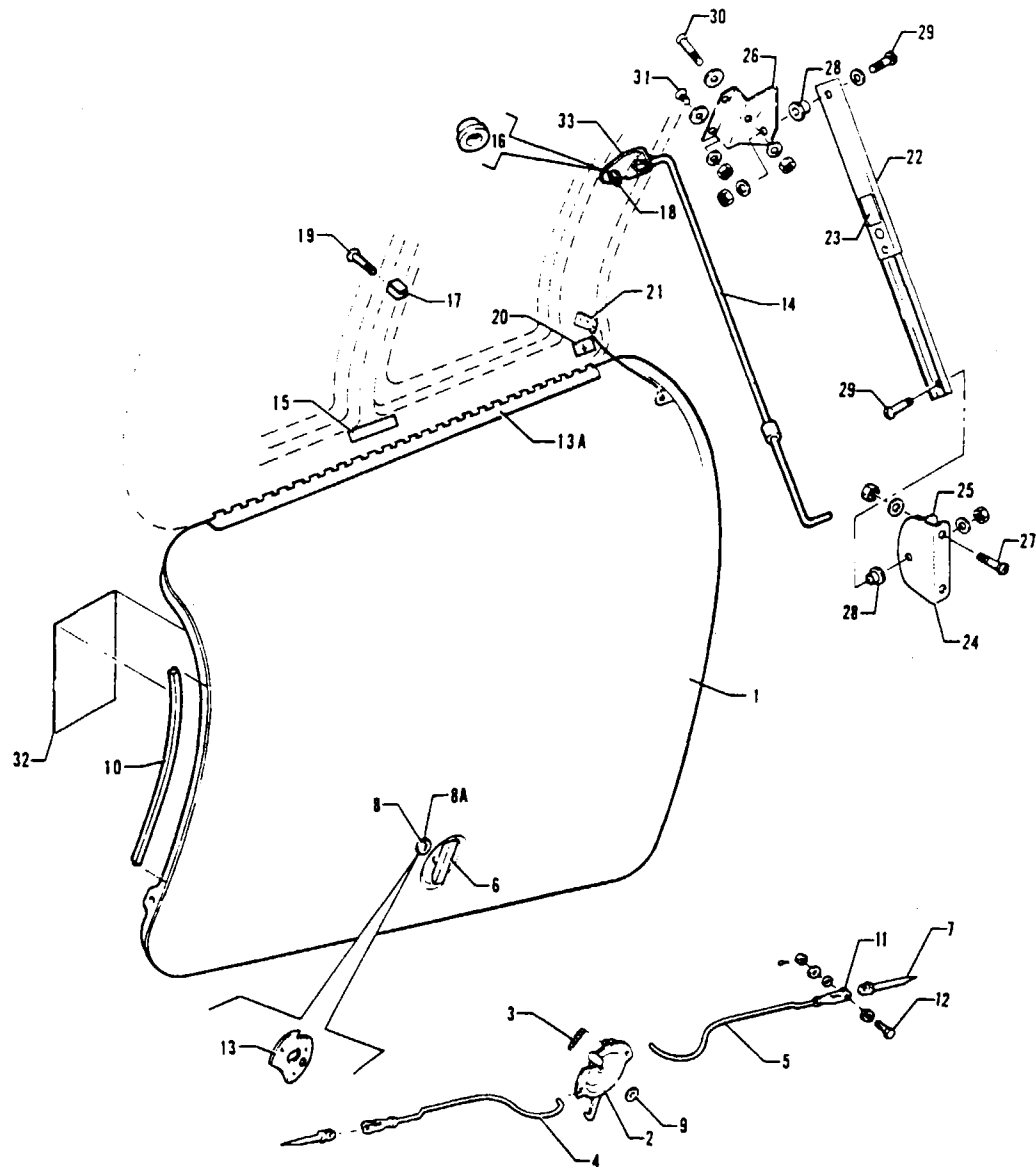


Figure 19 Fuselage Forward Baggage Door Assembly

PIPER PARTS CATALOG

CODE EXPLANATIONS FOR FIGURE 19

A - If matching door locks are desired, order Kit 87329-05.

W - These parts must be ordered from Service Spares Department, Piper Aircraft, Lock Haven, Penna.

PIPER PARTS CATALOG

Figure and Index Number	Part Number	Code	NOMENCLATURE	No. Req.	SERIAL NUMBERS AFFECTED
19-	96917 95344 37665		DRAWING - Forward Baggage Door Assembly (Complete) DRAWING - Baggage Door Support Rod Installation DRAWING - Baggage Door Holder Installation		34-7570001 to 34-7570259 incl 34-7570260 and up
-1	96917-00		DOOR ASSEMBLY - Forward baggage (complete)	1	
-2	96943-00		* LATCH ASSEMBLY - Door	1	
-3	96934-00		* * SPRING - Door latch	1	
-4	96937-03		* ROD ASSEMBLY - Door latch, front	1	
-5	96938-02		* ROD - Door latch, rear	1	
-6	96939-04		* HANDLE ASSEMBLY - Door latch	1	
-7	96935-00		* PIN - Door latch	2	
-8	87329-10	A	* LOCK ASSEMBLY - Door	1	
-8a	21176-00	W	* SPACER - Door lock	1	
-9	62833-80		* WASHER - Nylon	1	
-10	189 139		* MOULDING - Baggage door (bulb type)	7	
	19063-02	W	* MOULDING - Door seal (quarter-round type)	7	
-11	554 757	W	* CLEVIS - Rod end (MS35812-1)	2	
-12	400 054	W	* BOLT - (AN3-7)	2	
	407 564	W	* WASHER - (AN960-10)	2	
	404 392	W	* NUT - (AN320-3)	2	
	424 051	W	* COTTER PIN - (MS24665-132)	2	
-13	36521-02		* DOUBLER - Baggage door lock	1	
-13a	95744-02		* HINGE HALF - Door	1	
-14	95790-00		ROD - Baggage door holder	1	34-7570001 to 34-7570259 incl
-15	96273-00		PLACARD - Baggage limitations	1	34-7570001 to 34-7670393 incl
	69669-148		PLACARD - Baggage limitations	1	34-7770001 and up
-16	63020-00		BUSHING - Baggage door holder	1	34-7570001 to 34-7570259 incl
-17	454 873	W	CLIP - Baggage door holder (125002)	1	34-7570001 to 34-7570259 incl
-18	410 052		SCREW - (MS24694-S65)	1	
	407 564	W	WASHER - (AN960-10)	1	
	404 887	W	NUT - (MS20365-1032C)	1	
-19	414 498		SCREW - (MS24693-S10)	1	
	406 638		NUT - (H10-04)	1	
-20	68803-00		PLACARD - Light switch	1	
-21	78447-00		CABLE ASSEMBLY - Baggage door restraint	1	34-7570001 to 34-7570259 incl
-22	37666-00		HOLDER ASSEMBLY	1	34-7570260 and up
-23	69669-80		PLACARD - Door latch	1	34-7570260 and up
-24	37662-00		BRACKET - Baggage door	1	34-7570260 and up
-25	37663-00		BRACKET - Baggage door	1	34-7570260 and up
-26	37664-00		BRACKET - Baggage door	1	34-7570260 and up
-27	410 249		SCREW - (MS24694-S17)	2	34-7570260 and up
	407 563	W	WASHER - (AN960-8)	2	34-7570260 and up
	404 833	W	NUT - (MS20365-832C)	2	34-7570260 and up
-28	63020-02		BUSHING	2	34-7570260 and up
-29	400 862	W	SCREW - (AN23-10A)	2	34-7570260 and up
	407 584	W	WASHER - (AN960-10L)	2	34-7570260 and up
	404 887	W	NUT - (MS20365-1032C)	2	34-7570260 and up
-30	410 048		SCREW - (MS24694-S62)	1	34-7570260 and up
	494 037	W	WASHER - (PS10092-1-3C)	1	34-7570260 and up
	407 584	W	WASHER - (AN960-10L)	1	34-7570260 and up
	404 887	W	NUT - (MS20365-1032C)	1	34-7570260 and up

When ordering, always specify Part Number, Description and Serial Number of Aircraft

PIPER PARTS CATALOG

Figure and Index Number	Part Number	Code	NOMENCLATURE	No. Req.	SERIAL NUMBERS AFFECTED
19-31	416 785		SCREW - (MS24693-S272)	2	34-7570260 and up
	494 037	W	WASHER - (PS10092-1-3C)	2	34-7570260 and up
	407 584	W	WASHER - (AN960-10L)	2	34-7570260 and up
	404 887	W	NUT - (MS20365-1032C)	2	34-7570260 and up
-32	69669-81		PLACARD - Door support	1	34-7570001 to 34-7570259 incl
-33	95762-00		CLIP - Baggage door holder	1	34-7570001 to 34-7570259 incl

When ordering, always specify Part Number, Description and Serial Number of Aircraft

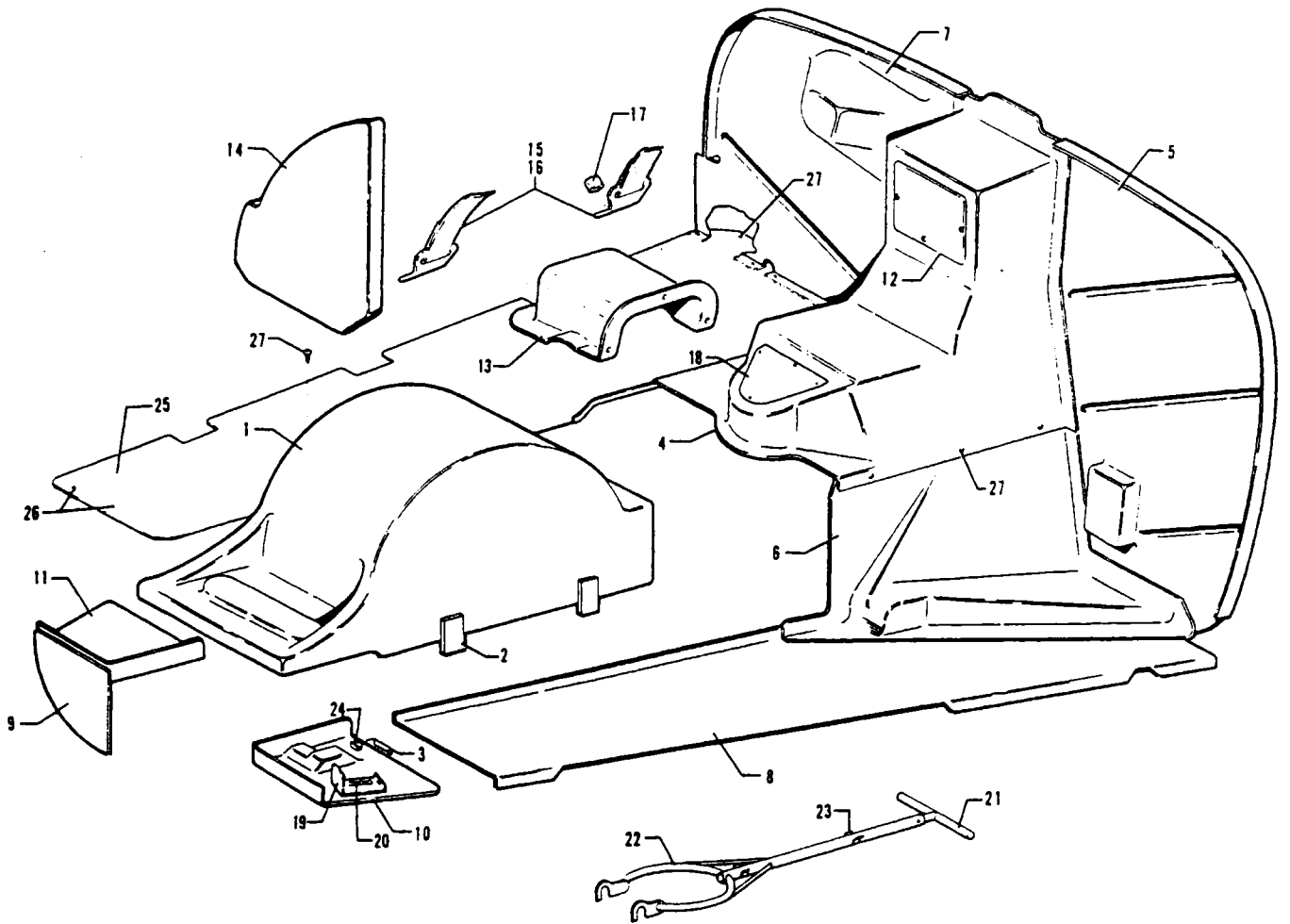


Figure 20 Forward Baggage Compartment Finishing Installation

REVISED: APRIL 1981

1E5

PA-34-200T

PIPER PARTS CATALOG

CODE EXPLANATIONS FOR FIGURE 20

A - Also used on aircraft with serial numbers 34-7570001 to 34-7670371 inclusive if Oil Cooler Baffle Winterization Kit 761 049 or 761 050 has been installed per Service Letter 795.

W - These parts must be ordered from Service Spares Department, Piper Aircraft, Lock Haven, Penna.

PIPER PARTS CATALOG

Figure and Index Number	Part Number	Code	NOMENCLATURE	No. Req.	SERIAL NUMBERS AFFECTED
20-	95791		DRAWING - Forward Baggage Compartment Finishing Installation		
-1	95739-00		COVER ASSEMBLY - Nose wheel and battery box	1	
-2	554 132		DRAW CATCH AND LATCH ASSEMBLY	3	
-3	35669-12		PLACARD - Oil drain probe	1	
-4	96263-02		PANEL - Baggage compartment, center	1	
-5	96284-00		PANEL - Baggage compartment, left upper	1	
-6	96285-00		PANEL - Baggage compartment, left lower	1	
-7	96803-00		PANEL - Baggage compartment, right side	1	34-7570001 to 34-8070240 incl
	96803-02		PANEL - Baggage compartment, right side	1	34-8070241 and up
-8	96287-00		PANEL - Baggage compartment floor, left side	1	
-9	96467-00		PANEL - Electrical equipment	1	
-10	96463-00		DECK - Electrical equipment, left	1	
-11	96464-00		DECK - Electrical equipment, right	1	
-12	78009-00		COVER - Brake reservoir, access	1	
-13	96998-00		COVER - Hydraulic lines	1	34-7570001 to 34-7970446 incl.
-14	96502-00		PANEL - Hydraulic pump protector	1	
-15	66804-00		STRAP ASSEMBLY - Baggage tie down, black (tip end)	2	
-16	66805-00		STRAP ASSEMBLY - Baggage tie down, black (buckle end)	2	
-17	63900-28		BUSHING - Baggage tie down	4	
-18	95791-13		COVER - Baggage compartment	1	
-19	37793-02	A	PLATE ASSEMBLY - Oil cooler plate storage	1	34-7670372 and up
-20	63408-00	A	* PLACARD - Oil cooler winterization	1	34-7670372 and up
-21	96331-03		TOW BAR ASSEMBLY - Upper	1	34-7770001 and up
-22	96331-02		TOW BAR ASSEMBLY - Lower	1	34-7770001 and up
-23	554 763		CLIP - Tow Bar (225-XL)	2	34-7770001 and up
-24	454 873	W	CLIP - Oil quick drain storage (125002)	1	
-25	95742-00		PANEL ASSEMBLY - Baggage compartment, right side	1	
-26	419 918		SCREW - (#8 x 1/2)	17	
	477 771		NUT - (PS10031-2) Nylon	17	
-27	419 918		SCREW - (#8 x 1/2)	9	
	406 399		NUT - (A1793-8Z-3)	9	

When ordering, always specify Part Number, Description and Serial Number of Aircraft

PIPER PARTS CATALOG

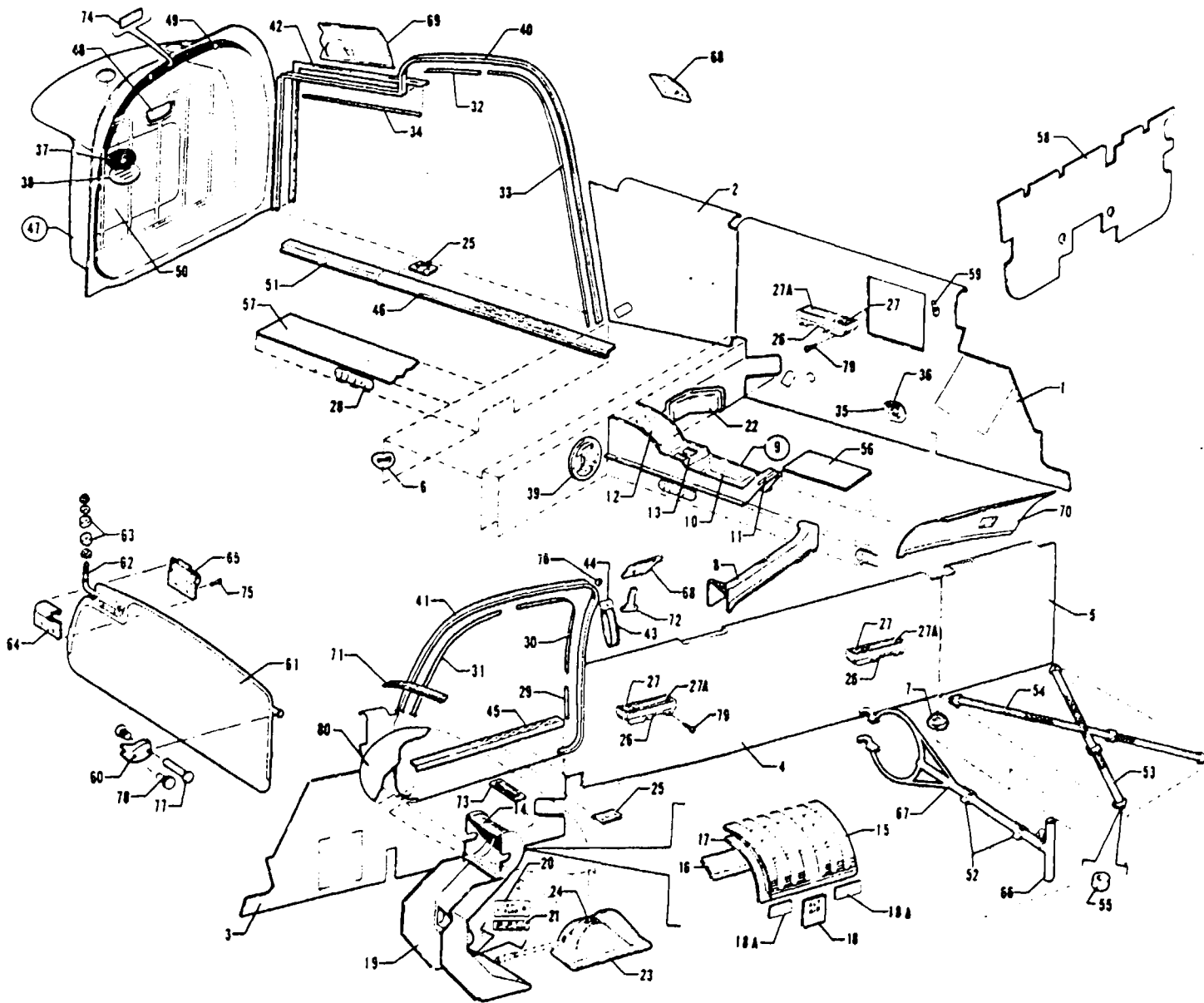


Figure 21. Cockpit Finishing Installation

PIPER PARTS CATALOG

CODE EXPLANATIONS FOR FIGURE 21

- A - When ordering, specify color red, blue/green, gold, black, avocado or bark. Specify color "bark I" for serial nos 34-7770001 to 34-7770164 inclusive. Specify color "bark II" for serial nos. 34-7770165 and up.
- B - When ordering, specify color red, blue/green, gold, black, green or "bark II."
- C - Used if optional center fuel cell is installed.
- D - When ordering for serial nos. 34-7770001 to 34-7770164 inclusive, specify color "bark I." When ordering for serial nos. 34-7770165 and up, specify "bark II" or black.
- E - When ordering, specify color "bark II" or black.
- F - Used if air conditioning is installed.
- G - Used if air conditioning is not installed.
- H - Used if shoulder belts without inertia reel are installed.
- J - Used if shoulder belts with inertia reel are installed.
- K - When ordering, specify color "bark II," black, or white.
- L - When ordering specify color red, brown, blue/green, black, avocado or "bark II."
- W - These parts must be ordered from Service Spares Department, Piper Aircraft, Lock Haven, Penna.

PIPER PARTS CATALOG

Figure and Index Number	Part Number	Code	NOMENCLATURE	No. Req.	SERIAL NUMBERS AFFECTED
21-	37579 67954		DRAWING - Cockpit Finishing Installation DRAWING - Cockpit Finishing Installation (Luxurious)		34-7870001 and up
-1	579 673 579 674 579 675 579 676 579 678 579 402		PANEL ASSEMBLY - Left front cockpit, red PANEL ASSEMBLY - Left front cockpit, blue/green PANEL ASSEMBLY - Left front cockpit, gold PANEL ASSEMBLY - Left front cockpit, black PANEL ASSEMBLY - Left front cockpit, green PANEL ASSEMBLY - Left front cockpit, white/camel/black (with heather carpet)	1 1 1 1 1 1	34-7570001 to 34-7670393 incl 34-7570001 to 34-7670393 incl 34-7570001 to 34-7670393 incl 34-7570001 to 34-7670393 incl 34-7570001 to 34-7670393 incl 34-7570001 to 34-7670393 incl.
	580 733		PANEL ASSEMBLY - Left front cockpit, white/camel/black (with monaco carpet)	1	34-7770001 and up
	579 527		PANEL ASSEMBLY - Left front cockpit, olivetone (with palm carpet)	1	34-7770001 to 34-7770441 incl.
	579 528		PANEL ASSEMBLY - Left front cockpit, midnight blue (with royal blue carpet)	1	34-7870001 to 34-7970271 incl.
	579 308		PANEL ASSEMBLY - Left front cockpit, dark blue (with royal blue carpet)	1	34-7970272 and up
	579 233		PANEL ASSEMBLY - Left front cockpit, dark blue (with heather carpet)	1	34-8170001 and up
	579 529		PANEL ASSEMBLY - Left front cockpit, raspberry/black (with raspberry carpet)	1	34-7870001 to 34-7970556 incl.
	579 530		PANEL ASSEMBLY - Left front cockpit, tan and seal (with brown carpet)	1	34-7870001 to 34-7970556 incl.
	579 322		PANEL ASSEMBLY - Left front cockpit, firethorn red (with raspberry carpet)	1	34-8070001 to 34-8070377 incl.
	579 364		PANEL ASSEMBLY - Left front cockpit, firethorn red (with firethorn red carpet)	1	34-8070001 and up
	579 232		PANEL ASSEMBLY - Left front cockpit, firethorn red (with heather carpet)	1	34-8170001 and up
	579 323		PANEL ASSEMBLY - Left front cockpit, buckskin (with brown carpet)	1	34-8070001 to 34-8070377 incl.
	579 365		PANEL ASSEMBLY - Left front cockpit, buckskin (with medium saddle carpet)	1	34-8070001 and up
	579 234		PANEL ASSEMBLY - Left front cockpit, dark cedar (with dark cedar carpet)	1	34-8170001 and up
-2	579 801 579 800 579 799 579 798 579 796 579 403 579 531 579 532 579 309 579 236 579 533 579 534 579 324		PANEL ASSEMBLY - Left center cockpit, red PANEL ASSEMBLY - Left center cockpit, blue/green PANEL ASSEMBLY - Left center cockpit, gold PANEL ASSEMBLY - Left center cockpit, black PANEL ASSEMBLY - Left center cockpit, green PANEL ASSEMBLY - Left center cockpit, white/camel/black PANEL ASSEMBLY - Left center cockpit, olivetone PANEL ASSEMBLY - Left center cockpit, midnight blue PANEL ASSEMBLY - Left center cockpit, dark blue (fabric) PANEL ASSEMBLY - Left center cockpit, dark blue (vinyl) PANEL ASSEMBLY - Left center cockpit, raspberry/black PANEL ASSEMBLY - Left center cockpit, tan/seal PANEL ASSEMBLY - Left center cockpit, firethorn red (fabric)	1 1 1 1 1 1 1 1 1 1 1 1 1	34-7570001 to 34-7670393 incl 34-7570001 to 34-7670393 incl. 34-7570001 to 34-7670393 incl 34-7570001 to 34-7670393 incl. 34-7570001 to 34-7670393 incl. 34-7570001 to 34-7670393 incl. 34-7770001 and up 34-7870001 to 34-7970556 incl. 34-7870001 to 34-7970271 incl. 34-7970272 and up 34-8170001 and up 34-7870001 to 34-7970556 incl 34-7870001 to 34-7970556 incl. 34-8070001 and up
	579 237		PANEL ASSEMBLY - Left center cockpit, firethorn red (vinyl)	1	34-8170001 and up
	579 325		PANEL ASSEMBLY - Left center cockpit, buckskin	1	34-8070001 and up
	579 235		PANEL ASSEMBLY - Left center cockpit, dark cedar	1	34-8170001 and up

When ordering, always specify Part Number, Description and Serial Number of Aircraft

PIPER PARTS CATALOG

Figure and Index Number	Part Number	Code	NOMENCLATURE	No. Req.	SERIAL NUMBERS AFFECTED	
21-3	579 679		PANEL ASSEMBLY - Right front cockpit, red	1	34-7570001 to 34-7670063 incl	
	579 602		PANEL ASSEMBLY - Right front cockpit, red	1	34-7670064 to 34-7670393 incl.	
	579 680		PANEL ASSEMBLY - Right front cockpit, blue/green	1	34-7570001 to 34-7670063 incl.	
	579 603		PANEL ASSEMBLY - Right front cockpit, blue/green	1	34-7670064 to 34-7670393 incl.	
	579 681		PANEL ASSEMBLY - Right front cockpit, gold	1	34-7570001 to 34-7670063 incl.	
	579 604		PANEL ASSEMBLY - Right front cockpit, gold	1	34-7670064 to 34-7670393 incl.	
	579 682		PANEL ASSEMBLY - Right front cockpit, black	1	34-7570001 to 34-7670063 incl.	
	579 605		PANEL ASSEMBLY - Right front cockpit, black	1	34-7670064 to 34-7670393 incl.	
	579 684		PANEL ASSEMBLY - Right front cockpit, green	1	34-7570001 to 34-7670063 incl	
	579 606		PANEL ASSEMBLY - Right front cockpit, green	1	34-7670064 to 34-7670393 incl	
	579 406		PANEL ASSEMBLY - Right front cockpit, white/camel/black (with heather carpet)	1	34-7770001 and up	
	580 766		PANEL ASSEMBLY - Right front cockpit, white/camel/black (with monaco carpet)	1	34-7770001 to 34-7770441 incl.	
	579 543		PANEL ASSEMBLY - Right front cockpit, olivetone (with palm carpet)	1	34-7870001 to 34-7970556 incl	
	579 544		PANEL ASSEMBLY - Right front cockpit, midnight blue (with royal blue carpet)	1	34-7870001 to 34-7970271 incl.	
	579 312		PANEL ASSEMBLY - Right front cockpit, dark blue (with royal blue carpet)	1	34-7970272 and up	
	579 245		PANEL ASSEMBLY - Right front cockpit, dark blue (with heather carpet)	1	34-8170001 and up	
	579 545		PANEL ASSEMBLY - Right front cockpit, raspberry/black (with raspberry carpet)	1	34-7870001 to 34-7970556 incl.	
	579 546		PANEL ASSEMBLY - Right front cockpit, tan/seal (with brown carpet)	1	34-7870001 to 34-7970556 incl.	
	579 330		PANEL ASSEMBLY - Right front cockpit, firethorn red (with raspberry carpet)	1	34-8070001 to 34-8070377 incl.	
	579 368		PANEL ASSEMBLY - Right front cockpit, firethorn red (with firethorn red carpet)	1	34-8070001 and up	
	579 244		PANEL ASSEMBLY - Right front cockpit, firethorn red (with heather carpet)	1	34-8170001 and up	
	579 331		PANEL ASSEMBLY - Right front cockpit, buckskin (with brown carpet)	1	34-8070001 to 34-8070377 incl.	
	579 369		PANEL ASSEMBLY - Right front cockpit, buckskin (with medium saddle carpet)	1	34-8070001 and up	
	579 246		PANEL ASSEMBLY - Right front cockpit, dark cedar (with dark cedar carpet)	1	34-8170001 and up	
	-4	579 777		PANEL ASSEMBLY - Right center cockpit, red	1	34-7570001 to 34-7670393 incl.
		579 776		PANEL ASSEMBLY - Right center cockpit, blue/green	1	34-7570001 to 34-7670393 incl.
		579 775		PANEL ASSEMBLY - Right center cockpit, gold	1	34-7570001 to 34-7670393 incl.
		579 774		PANEL ASSEMBLY - Right center cockpit, black	1	34-7570001 to 34-7670393 incl.
579 772			PANEL ASSEMBLY - Right center cockpit, green	1	34-7570001 to 34-7670393 incl.	
579 407			PANEL ASSEMBLY - Right center cockpit, white/camel/black	1	34-7770001 and up	
579 547			PANEL ASSEMBLY - Right center cockpit, olivetone	1	34-7870001 to 34-7970556 incl.	
579 548			PANEL ASSEMBLY - Right center cockpit, midnight blue	1	34-7870001 to 34-7970271 incl.	
579 313			PANEL ASSEMBLY - Right center cockpit, dark blue (fabric)	1	34-7970272 and up	
579 252			PANEL ASSEMBLY - Right center cockpit, dark blue (vinyl)	1	34-8170001 and up	
579 549			PANEL ASSEMBLY - Right center cockpit, raspberry/black	1	34-7870001 to 34-7970556 incl	
579 550			PANEL ASSEMBLY - Right center cockpit, tan/seal	1	34-7870001 to 34-7970556 incl.	
579 332			PANEL ASSEMBLY - Right center cockpit, firethorn red (fabric)	1	34-8070001 and up	
579 251			PANEL ASSEMBLY - Right center cockpit, firethorn red (vinyl)	1	34-8170001 and up	
579 333			PANEL ASSEMBLY - Right center cockpit, buckskin	1	34-8070001 and up	
579 250			PANEL ASSEMBLY - Right center cockpit, dark cedar	1	34-8170001 and up	

When ordering, always specify Part Number, Description and Serial Number of Aircraft

PIPER PARTS CATALOG

Figure and Index Number	Part Number	Code	NOMENCLATURE	No. Req.	SERIAL NUMBERS AFFECTED
21-5	579 759		PANEL ASSEMBLY - Right rear cockpit, red	1	34-7570001 to 34-7670393 incl
	579 758		PANEL ASSEMBLY - Right rear cockpit, blue/green	1	34-7570001 to 34-7670393 incl
	579 757		PANEL ASSEMBLY - Right rear cockpit, gold	1	34-7570001 to 34-7670393 incl
	579 756		PANEL ASSEMBLY - Right rear cockpit, black	1	34-7570001 to 34-7670393 incl
	579 754		PANEL ASSEMBLY - Right rear cockpit, green	1	34-7570001 to 34-7670393 incl
	579 408		PANEL ASSEMBLY - Right rear cockpit, white/camel/black	1	34-7770001 and up
	579 551		PANEL ASSEMBLY - Right rear cockpit, olivetone	1	34-7870001 to 34-7970556 incl
	579 552		PANEL ASSEMBLY - Right rear cockpit, midnight blue	1	34-7870001 to 34-7970271 incl
	579 314		PANEL ASSEMBLY - Right rear cockpit, dark blue (fabric)	1	34-7970272 and up
	579 255		PANEL ASSEMBLY - Right rear cockpit, dark blue (vinyl)	1	34-8170001 and up
	579 553		PANEL ASSEMBLY - Right rear cockpit, raspberry/black	1	34-7870001 to 34-7970556 incl
	579 554		PANEL ASSEMBLY - Right rear cockpit, tan/seal	1	34-7870001 to 34-7970556 incl
	579 334		PANEL ASSEMBLY - Right rear cockpit, firethorn red (fabric)	1	34-8070001 and up
	579 254		PANEL ASSEMBLY - Right rear cockpit, firethorn red (vinyl)	1	34-8170001 and up
	579 335		PANEL ASSEMBLY - Right rear cockpit, buckskin	1	34-8070001 and up
	579 253		PANEL ASSEMBLY - Right rear cockpit, dark cedar	1	34-8170001 and up
-6	36551-02	E	COVER - Trim	2	
	68687-03		COVER - Trim, brown	2	34-7570001 to 34-7670393 incl
-7	36551-03	E	COVER - Trim	2	
	68687-06		COVER - Trim, brown	2	34-7570001 to 34-7670393 incl
-8	95893-20	L	COVER ASSEMBLY - Trim, Sta. 73, left	1	
	95893-21	L	COVER ASSEMBLY - Trim, Sta 73, right	1	
-9	78320-13	A	COVER ASSEMBLY - Fuel selector	1	
	78320-14	A.C	COVER ASSEMBLY - Fuel selector	1	34-7570001, 34-7670114 and up
-10	69669-99		PLACARD - Fuel selector (46 5 gallons per side)	1	
	69669-113		PLACARD - Fuel selector (61 5 gallons per side)	1	
-11	35669-164		PLACARD - Rudder trim	1	
-12	69669-09		PLACARD - Heater control	1	
-13	69669-38		PLACARD - Heater, flight and ground operation	1	
-14	95808-08	A	COVER ASSEMBLY - Engine control	1	
-15	95805-00		* PLACARD - Throttle, propeller and mixture	1	
-16	95807-00		* CLIP - Engine control cover	1	
-17	95804-02		* PLATE - Engine control cover	1	
-18	96296-00		PLACARD - Alternate air	1	34-7570001 to 34-7870492 incl
-18a	35669-173		PLACARD - Alternate air	2	34-7970001 and up
-19	37577-00	A	COVER ASSEMBLY - Console and defrost duct	1	
-20	95961-00		* PLACARD - Cowl flap	1	
-21	78042-02		* PLACARD - Weight limitations	1	
-22	78132-00	B	COVER - Trim, spar box and fuel lines, left	1	
	78132-01	B	COVER - Trim, spar box and fuel lines, right	1	
-23	96555-02		COVER ASSEMBLY - Flap and trim, red	1	34-7570001 to 34-7670393 incl
	96555-04		COVER ASSEMBLY - Flap and trim, brown	1	34-7570001 to 34-7670393 incl
	96555-03		COVER ASSEMBLY - Flap and trim, blue/green	1	34-7570001 to 34-7670393 incl
	96555-05		COVER ASSEMBLY - Flap and trim, black	1	34-7570001 to 34-7670393 incl
	96555-06		COVER ASSEMBLY - Flap and trim, avocado	1	34-7570001 to 34-7670393 incl
	96555-07	D	COVER ASSEMBLY - Flap and trim	1	34-7770001 and up
-24	96603-00		* PLACARD - Stabilator trim	1	
-25	96866-00		PLATE - Striker	2	

When ordering, always specify Part Number, Description and Serial Number of Aircraft

PIPER PARTS CATALOG

Figure and Index Number	Part Number	Code	NOMENCLATURE	No. Req.	SERIAL NUMBERS AFFECTED
21-26	66710-16		HOUSING ASSEMBLY - Armrest, left	2	
	66710-17		HOUSING ASSEMBLY - Armrest, right	2	
-27	763 003		* ASH TRAY - (S-25-AR-C)	1	
-27a	66710-44	B	PAD - Armrest	4	34-7570001 to 34-7670393 incl
	580 731		PAD - Armrest, camel	4	34-7770001 and up
	579 507		PAD - Armrest, olivetone	4	34-7870001 to 34-7970556 incl
	579 508		PAD - Armrest, midnight blue	4	34-7870001 to 34-7970271 incl
	579 474		PAD - Armrest, dark blue (fabric)	4	34-7970272 and up
	579 228		PAD - Armrest, dark blue (vinyl)	4	34-8170001 and up
	579 509		PAD - Armrest, black	4	34-7870001 to 34-7970556 incl.
	579 510		PAD - Armrest, tan	4	34-7870001 to 34-7970556 incl.
	579 472		PAD - Armrest, firethorn red (fabric)	4	34-8070001 and up
	579 227		PAD - Armrest, firethorn red (vinyl)	4	34-8170001 and up
	579 473		PAD - Armrest, buckskin	4	34-8070001 and up
	579 226		PAD - Armrest, dark cedar	4	34-8170001 and up
-28	37165-54		OUTLET ASSEMBLY - Heat	6	
-29	63142-02		TRIM STRIP - Forward cabin door	1	34-7570001 to 34-7670063 incl.
	63142-56		TRIM STRIP - Forward cabin door	1	34-7670064 and up
-30	63142-45		TRIM STRIP - Forward cabin door	1	34-7570001 to 34-7670063 incl
	63142-55		TRIM STRIP - Forward cabin door	1	34-7670064 and up
-31	63142-46		TRIM STRIP - Forward cabin door	1	34-7570001 to 34-7670063 incl
	63142-50		TRIM STRIP - Forward cabin door	1	34-7670064 and up
-32	63142-33		TRIM STRIP - Aft cabin door	1	34-7570001 to 34-7670063 incl
	63142-47		TRIM STRIP - Aft cabin door	1	34-7670064 and up
-33	63142-21		TRIM STRIP - Aft cabin door	1	
-34	63142-34		TRIM STRIP - Cargo door, top	1	
-35	96842-02	B	COVER ASSEMBLY - Pitot pressure pump	1	34-7570001 to 34-7670136 incl.
	35507-02	B	COVER ASSEMBLY - Pitot pressure pump	1	34-7670137 and up
-36	78124-00		* PLACARD - Pitot drain	1	34-7570001 to 34-7670136 incl.
	69669-115		* PLACARD - Pitot drain	1	34-7670137 and up
-37	96801-00		SCREEN - Cabin air	2	
-38	66788-12		COVER - Cabin air, white	2	34-7570001 to 34-7670393 incl.
	66788-14	K	COVER - Cabin air	2	34-7770001 and up
-39	65461-19	B	COVER ASSEMBLY - Quick drain	1	
	65461-07		COVER ASSEMBLY - Quick drain, brown	1	34-7570001 to 34-7670393 incl.
-40	68969-05		WINDLACING - Aft cabin door and cargo door	1	
-41	69403-03		WINDLACING - Forward cabin door	1	
-42	189 132		MOULDING - Door seal (bulb type)	AR	
-43	79455-00		STRAP - Assist	2	
-44	79456-00		CAP - Assist strap	2	
-45	65546-00		SILL - Door, forward cabin	1	34-7570001 to 34-7670063 incl.
	65546-04		SILL - Door, forward cabin	1	34-7670064 and up
-46	69188-00		SILL - Door, aft cabin	1	34-7570001 to 34-7670063 incl
	69188-03		SILL - Door, aft cabin	1	34-7670064 and up
-47	79837-02	G	BULKHEAD ASSEMBLY - Cabin rear	1	34-7570001 to 34-7970323 incl.
	36589-04	F	BULKHEAD ASSEMBLY - Cabin rear	1	34-7970001 to 34-7970323 incl
	79837-02		BULKHEAD ASSEMBLY - Cabin rear	1	34-7970324 and up
-48	96272-00		* PLACARD - Baggage limitations	1	34-7570001 to 34-7970323 incl
-49	487 629	W	* STUD - Coat hanger (KM894-1A)	2	34-7570001 to 34-7970323 incl.
-50	79445-00		DOOR ASSEMBLY - Rear bulkhead	1	
-51	69189-00		SILL - Cargo door	1	
-52	554 763		CLIP - Tow bar (225-XL)	2	34-7570001 to 34-7670393 incl
-53	66804-00		STRAP ASSEMBLY - Baggage tie down, black (tip end)	2	
-54	66805-00		STRAP ASSEMBLY - Baggage tie down, black (buckle end)	2	
-55	63900-28		BUSHING - Baggage tie down	4	
-56	95181-00		PLATE - Tunnel	1	
-57	68415-00		PLATE - Aft tunnel cover	1	
-58	68495-02		BLANKET - Cabin	1	
-59	453 417		BRACKET - Microphone	2	
-60	65865-00		RETAINER - Sun visor	2	

When ordering, always specify Part Number, Description and Serial Number of Aircraft

PIPER PARTS CATALOG

Figure and Index Number	Part Number	Code	NOMENCLATURE	No. Req.	SERIAL NUMBERS AFFECTED
21-61	65866-02		BLADE - Sun visor	2	34-7570001 to 34-7670335 incl
	37853-02		BLADE - Sun visor, pilot	1	34-7670336 and up
	65866-02		BLADE - Sun visor, co-pilot	1	34-7670336 and up
-62	65868-00		ROD - Sun visor	2	
-63	65869-00		BEARING - Sun visor	4	
-64	65870-00		CLIP - Sun visor, upper left and lower right	2	
-65	65871-00		CLIP - Sun visor, upper left and lower right	2	
-66	96331-03		TOW BAR ASSEMBLY - Upper	1	34-7670001 to 34-7670393 incl
-67	96331-02		TOW BAR ASSEMBLY - Lower	1	34-7570001 to 34-7670393 incl.
-68	78054-02		COVER - Shoulder harness, left	1	
	99801-02		COVER - Shoulder harness, right	1	
-69	96921-06	H	COVER ASSEMBLY - Shoulder harness, left	1	
	96921-03	J	COVER ASSEMBLY - Shoulder harness, left	1	
-70	78587-00		COVER ASSEMBLY - Shoulder harness, right	1	
-71	78117-00		RETAINER - Glare shield, left	1	
	78118-00		RETAINER - Glare shield, right	1	
-72	76221-00	H	CLIP - Shoulder harness retaining	3	34-8170001 and up
	76221-00	J	CLIP - Shoulder harness retaining	1	
-73	79404-00		COVER - Trim, radio cooling	1	
-74	66787-00		PLACARD - Cabin bulkhead	1	
-75	415 376		SCREW - (MS51957-27)	4	
	407 130	W	WASHER - (AN936-B6)	4	
	477 696		NUT - Dome (8061-NP)	4	
-76	99790-00		PAD - Shoulder strap attachment	1	
-77	36588-04		SCREW AND POST ASSEMBLY - Retainer	1	
-78	484 691		RIVET - Plastic (201-120751-00-0103)	2	
-79	419 594		SCREW - (AN530-10R36)	8	
-80	69368-00		COVER - Cowl	1	

When ordering, always specify Part Number, Description and Serial Number of Aircraft

PIPER PARTS CATALOG

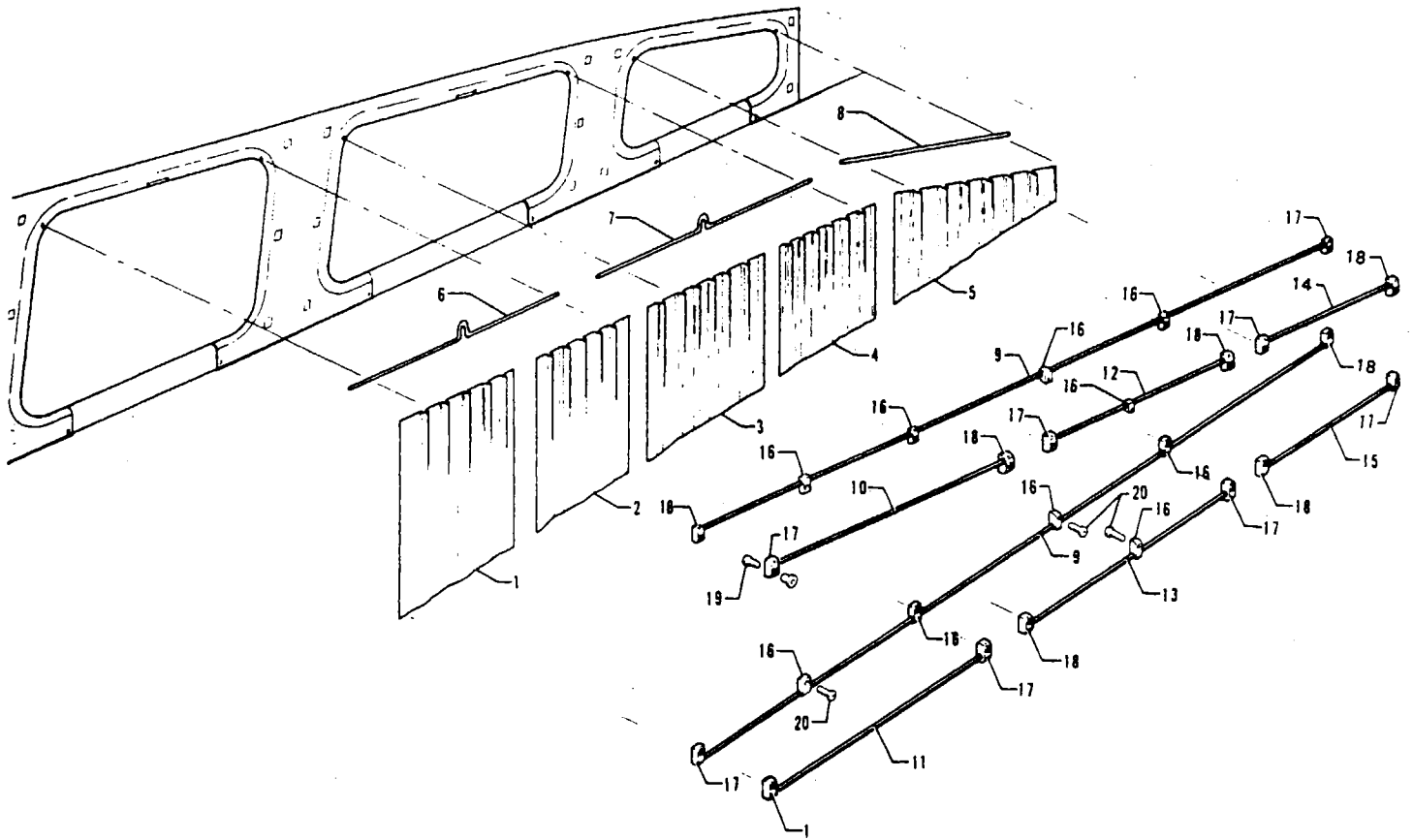


Figure 21A Window Curtains Installation
(Serial Nos 34-7770001 and up)

REVISED MAY 1983

1E15

PA-34-200T

PIPER PARTS CATALOG

CODE EXPLANATIONS FOR FIGURE 21A

W - These parts must be ordered from Service Spares Department, Piper Aircraft, Lock Haven, Penna.

PIPER PARTS CATALOG

Figure and Index Number	Part Number	Code	NOMENCLATURE	No. Req.	SERIAL NUMBERS AFFECTED
21A-	79721 67955		DRAWING - Curtain and Rod Installation DRAWING - Curtain and Rod Installation		34-7570001 to 34-7770441 incl. 34-7870001 and up
-1	79721-11 67968-02 79721-10 67968-03		CURTAIN ASSEMBLY - Window, center front, left CURTAIN ASSEMBLY - Window, center front, left CURTAIN ASSEMBLY - Window, center front, right CURTAIN ASSEMBLY - Window, center front, right	1 1 1 1	34-7570001 to 34-7770441 incl. 34-7870001 and up 34-7570001 to 34-7770441 incl. 34-7870001 and up
-2	79721-13 67968-04 79721-12 67968-05		CURTAIN ASSEMBLY - Window, center rear, left CURTAIN ASSEMBLY - Window, center rear, left CURTAIN ASSEMBLY - Window, center rear, right CURTAIN ASSEMBLY - Window, center rear, right	1 1 1 1	34-7570001 to 34-7770441 incl. 34-7870001 and up 34-7570001 to 34-7770441 incl. 34-7870001 and up
-3	79721-15 67968-06 79721-14 67968-07		CURTAIN ASSEMBLY - Window, center front, left CURTAIN ASSEMBLY - Window, center front, left CURTAIN ASSEMBLY - Window, center front, right CURTAIN ASSEMBLY - Window, center front, right	1 1 1 1	34-7570001 to 34-7770441 incl. 34-7870001 and up 34-7570001 to 34-7770441 incl. 34-7870001 and up
-4	79721-17 67968-08 79721-16 67968-09		CURTAIN ASSEMBLY - Window, center rear, left CURTAIN ASSEMBLY - Window, center rear, left CURTAIN ASSEMBLY - Window, center rear, right CURTAIN ASSEMBLY - Window, center rear, right	1 1 1 1	34-7570001 to 34-7770441 incl. 34-7870001 and up 34-7570001 to 34-7770441 incl. 34-7870001 and up
-5	79721-19 67968-10 79721-18 67968-11		CURTAIN ASSEMBLY - Window, rear, left CURTAIN ASSEMBLY - Window, rear, left CURTAIN ASSEMBLY - Window, rear, right CURTAIN ASSEMBLY - Window, rear, right	1 1 1 1	34-7570001 to 34-7770441 incl. 34-7870001 and up 34-7570001 to 34-7770441 incl. 34-7870001 and up
-6	79702-02		ROD - Window curtain, center, right	1	34-7570001 to 34-7770441 incl.
-7	79702-08		ROD - Window curtain, center, right	1	34-7570001 to 34-7770441 incl.
-8	79702-06		ROD - Window curtain, rear, right	1	34-7570001 to 34-7770441 incl.
-9	67969-06 67969-05		ROD - Window curtain, top, right ROD - Window curtain, bottom, right	1 1	34-7870001 and up 34-7870001 and up
-10	79702-02 67969-08		ROD - Window curtain, center, left ROD - Window curtain, center, top, left	1 1	34-7570001 to 34-7770441 incl. 34-7870001 and up
-11	67969-07		ROD - Window curtain, center, bottom, left	1	34-7870001 and up
-12	79702-03 67969-10		ROD - Window curtain, center, left ROD - Window curtain, center, top, left	1 1	34-7570001 to 34-7770441 incl. 34-7870001 and up
-13	67969-09		ROD - Window curtain, center, bottom, left	1	34-7870001 and up
-14	79702-06 67969-12		ROD - Window curtain, rear, top, left ROD - Window curtain, rear, top, left	1 1	34-7570001 to 34-7770441 incl. 34-7870001 and up
-15	67969-11		ROD - Window curtain, rear, bottom, left	1	34-7870001 and up
-16	67969-04		BRACKET - Window rod attachment, right, top, and bottom	10	34-7870001 and up
-17	67969-03		BRACKET - Window rod attachment	8	34-7870001 and up
-18	67969-02		BRACKET - Window rod attachment	8	34-7870001 and up
-19	415 539 477 778	W	SCREW - (MS35206-249) NUT - (PS10062-6-2)	23 23	34-7870001 and up 34-7870001 and up
-20	419 596 407 564	W	SCREW - (AN530-10R12) WASHER - (AN960-10)	3 3	34-7870001 and up 34-7870001 and up

When ordering, always specify Part Number, Description and Serial Number of Aircraft

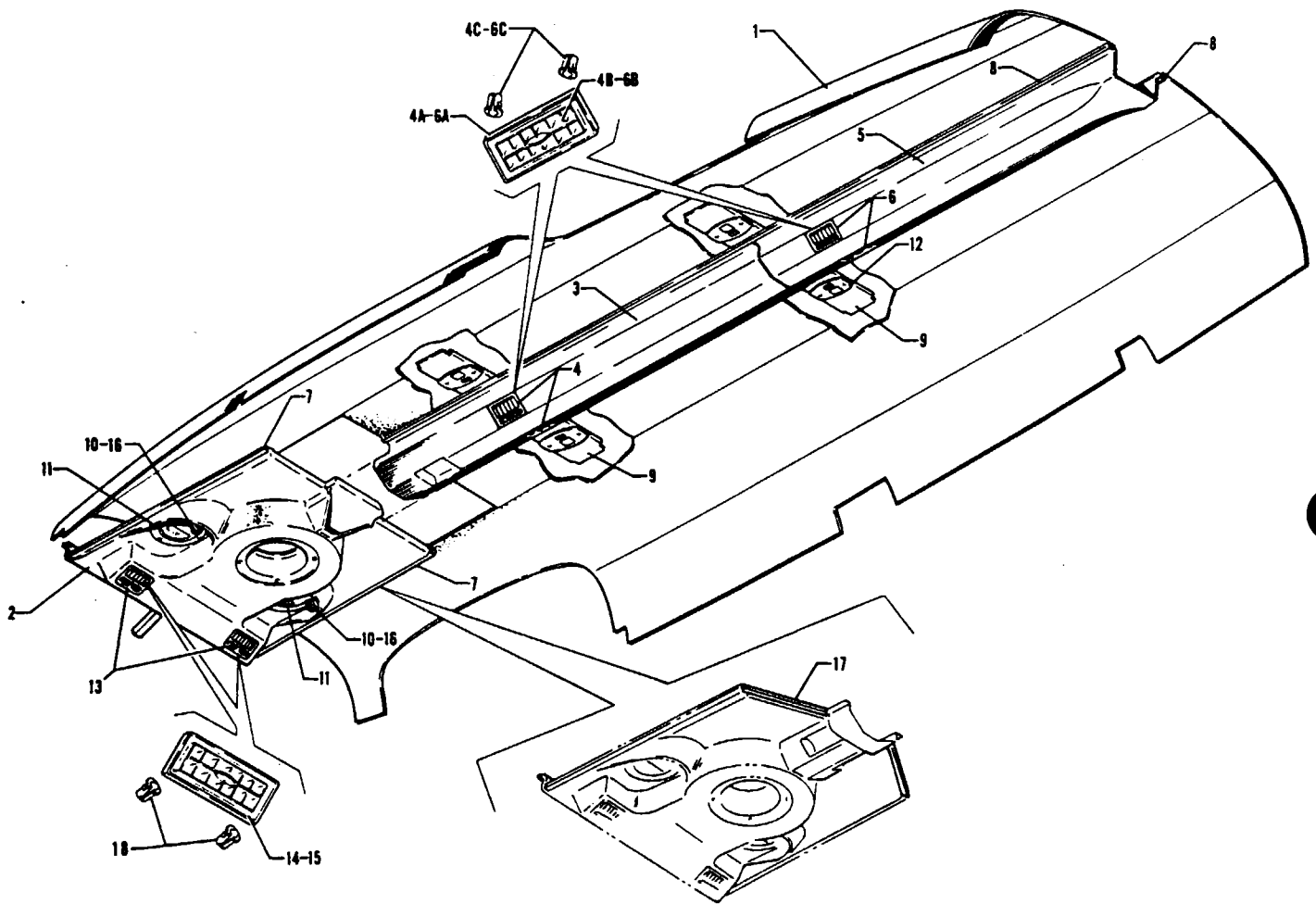


Figure 22. Forward Fresh Air Duct and Headliner Installation

PIPER PARTS CATALOG

CODE EXPLANATIONS FOR FIGURE 22

- A - See Figure 37B if air conditioning is installed, or Figure 37D if fixed oxygen system is installed
- B - Ascertain light assembly color before ordering. If existing light assemblies are red, order (2) P/N 572 582. If existing light assemblies are blue, order quantity as desired. Do not intermix red and blue light assemblies in same aircraft.

PIPER PARTS CATALOG

Figure and Index Number	Part Number	Code	NOMENCLATURE	No. Req.	SERIAL NUMBERS AFFECTED
22-	69812		DRAWING - Headliner Installation		
-1	69813-00		HEADLINER	1	
-2	69746-02	A	PANEL ASSEMBLY - Fresh air vent	1	34-7570001 to 34-7670063 incl
	69746-12	A	PANEL ASSEMBLY - Fresh air vent (with speaker hole)	1	34-7670064 and up
	69746-13	A	PANEL ASSEMBLY - Fresh air vent (with speaker hole)	1	34-7770001 to 34-7970323 incl
	69746-15	A	PANEL ASSEMBLY - Fresh air vent (without speaker hole)	1	34-7770001 to 34-7970323 incl
	69989-03	A	PANEL ASSEMBLY - Fresh air vent (with speaker hole)	1	34-7970324 and up
	69989-02	A	PANEL ASSEMBLY - Fresh air vent (without speaker hole)	1	34-7970324 and up
-3	69749-04		DUCT ASSEMBLY - Fresh air vent, forward	1	34-7570001 to 34-7670393 incl.
	69749-08		DUCT ASSEMBLY - Fresh air vent, forward	1	34-7770001 to 34-7970323 incl
	69990-02		DUCT ASSEMBLY - Fresh air vent, forward	1	34-7970324 and up
-4	492 338		* VENT ASSEMBLY - (PS10023-16)	2	34-7570001 to 34-7670393 incl
-4a	473 187		* LOUVER - (136-1M), silver	2	
	473 195		* LOUVER - (336-1HS), black	2	
-4b	461 386		* FRAME - (173M), silver	2	
	461 391		* FRAME - (173B), black	2	
-4c	406 424		* NUT - (C-2733-040-1)	8	
-5	69751-00	A	DUCT ASSEMBLY - Fresh air vent, center	1	34-7570001 to 34-7670393 incl
	69751-06	A	DUCT ASSEMBLY - Fresh air vent, center	1	34-7770001 to 34-7970323 incl
	69991-02	A	DUCT ASSEMBLY - Fresh air vent, center	1	34-7970324 and up
-6	492 338		* VENT ASSEMBLY - (PS10023-16)	2	34-7570001 to 34-7670393 incl.
-6a	473 187		* LOUVER - (136-1M), silver	2	
	473 195		* LOUVER - (336-1HS), black	2	
-6b	461 386		* FRAME - (173M), silver	2	
	461 391		* FRAME - (173B), black	2	
-6c	406 424		* NUT - (C-2733-040-1)	8	
-7	79246-00		RETAINER - Front, left	1	34-7570001 to 34-7970323 incl
	79246-01		RETAINER - Front, right	1	34-7570001 to 34-7970323 incl
	79246-04		RETAINER - Front, left	1	34-7970324 and up
	79246-05		RETAINER - Front, right	1	34-7970324 and up
-8	79246-02		RETAINER - Rear	2	34-7570001 to 34-7970323 incl.
	79246-06		RETAINER - Rear, left	1	34-7970324 and up
	79246-07		RETAINER - Rear, right	1	34-7970324 and up
-9	69748-00		CHANNEL - Light assembly	2	
-10	95228-00		DIMMER ASSEMBLY - Potentiometer	2	
-11	572 582	B	LIGHT ASSEMBLY - Forward (A300-W-14)	2	
-12	572 524		LIGHT ASSEMBLY - Reading (A325ML) Whelen	4	
-13	492 339		VENT ASSEMBLY - (PS10023-17)	2	34-7570001 to 34-7670393 incl.
-14	473 187		LOUVER - (136-1M), silver	2	
	473 195		LOUVER - (336-1HS), black	2	
-15	461 386		FRAME - (173M), silver	2	
	461 391		FRAME - (173B), black	2	
-16	571 136		KNOB - (S-775-3)	2	
-17	79246-08		RETAINER - Center, left	1	34-7970324 and up
	79246-09		RETAINER - Center, right	1	34-7970324 and up
-18	406 424		NUT - (C-2733-040-1)	8	

When ordering, always specify Part Number, Description and Serial Number of Aircraft

PIPER PARTS CATALOG

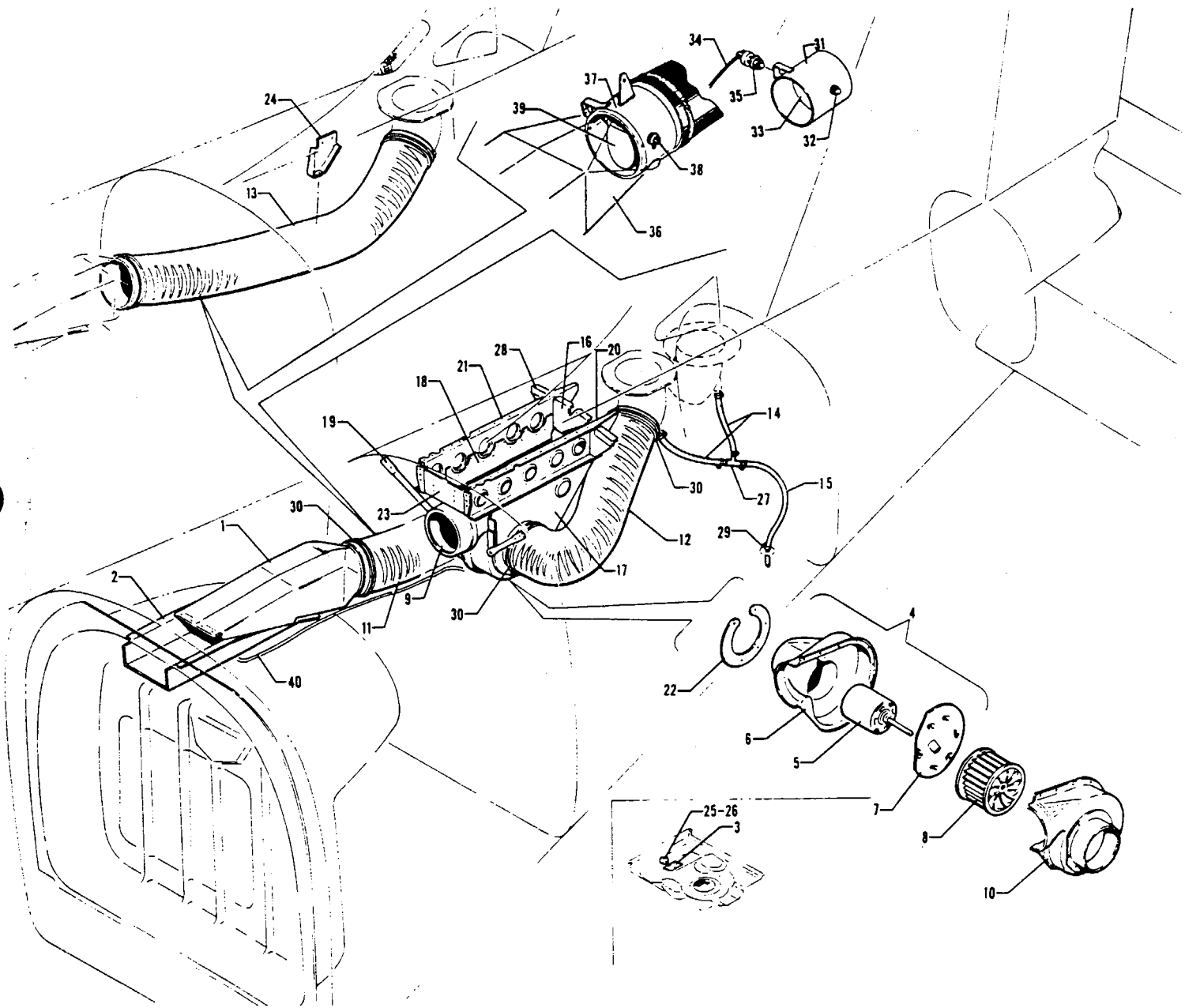


Figure 23 Aft Fresh Air Duct Installation

REVISED: APRIL 1981

1E21

PA-34-200T

PIPER PARTS CATALOG

CODE EXPLANATIONS FOR FIGURE 23

- A - Also used on serial numbers 34-7570001 to 34-7770325 inclusive if Blower Assembly Kit 761 150 has previously been installed.
- B - Order part for serial numbers 34-7870056 and up if the four position fan switch has been replaced with a three position fan switch
- W - These parts must be ordered from Service Spares Department, Piper Aircraft, Lock Haven, Penna.

PIPER PARTS CATALOG

Figure and Index Number	Part Number	Code	NOMENCLATURE	No. Req.	SERIAL NUMBERS AFFECTED
23-	78629 78630		DRAWING - Ram Air Ventilation Installation DRAWING - Blower Ventilation Installation		
-1	79192-00		INTERCONNECT - Ventilation bulkhead	1	34-7570001 to 34-7970323 incl
-2	76308-00		DUCT - Ventilation bulkhead	1	34-7570001 to 34-7970323 incl
-3	69669-26 87369-30	B	PLACARD - Vent fan (4 position) PLACARD - Vent fan (3 position)	1 1	34-7570001 to 34-7870055 incl 34-7870056 and up
-4	761 150 99642-03		BLOWER ASSEMBLY KIT - Fresh air BLOWER ASSEMBLY - Fresh air	1 1	34-7570001 to 34-7770325 incl 34-7770326 and up
-5	475 210	A	* MOTOR ASSEMBLY - Fresh air blower (UN-YY1S062)	1	34-7770326 and up
-6	37997-02		* COVER - Fresh air blower	1	
-7	99641-00		* PLATE ASSEMBLY - Motor mounting	1	
-8	452 935		BLOWER - (AE424-316-1)	1	
-9	99633-00		DUCT - Hose connect	1	
-10	79264-00		COVER ASSEMBLY - Fresh air blower	1	
-11	63633-148 63633-124		HOSE HOSE	1 1	34-7570001 to 34-7970323 incl 34-7970324 and up
-12	63633-138		HOSE	1	
-13	63633-155		HOSE	1	
-14	63913-91		HOSE - Drain	2	
-15	63913-90		HOSE - Drain	1	
-16	79286-00		BRACKET - Intercostal, aft	1	
-17	79281-00		HANGER ASSEMBLY - Blower, left	1	
-18	79282-00		HANGER ASSEMBLY - Blower, right	1	
-19	79303-00		BRACE - Hanger	2	
-20	78603-00		INTERCOSTAL - Blower bracket support, left	1	
-21	78604-00		INTERCOSTAL - Blower bracket support, right	1	
-22	79284-00		RETAINER - Housing	1	
-23	79285-00		BRACKET - Intercostal, forward	1	
-24	78637-00		BRACKET - Duct support, aft	1	
-25	763 814 588 109	B	SWITCH REPLACEMENT KIT - Fan (4 position) SWITCH - Fan (MS35058-21) (3 position)	1 1	34-7570001 to 34-7870055 incl 34-7870056 and up
-26	571 162		KNOB - (RB-67-1-SB-M)	1	34-7570001 to 34-7870055 incl
-27	78629-03		TEE	1	
-28	79035-00		GUSSET ASSEMBLY - Intercostal	2	
-29	554 861	W	CLAMP - (SAE TY F-4)	2	
-30	554 640		CLAMP - (SAE TY A-4 5/8)	4	
-31	69885-00		FLAPPER VALVE ASSEMBLY - Fresh air intake	1	34-7570001 to 34-7970323 incl
-32	69885-02		* SHAFT ASSEMBLY	1	34-7570001 to 34-7970323 incl.
-33	69885-03		* FLAPPER ASSEMBLY	1	34-7570001 to 34-7970323 incl
-34	554 361		CABLE ASSEMBLY - Fresh air flapper (PS50146-2-5)	1	
-35	70371-02 70371-03 407 564 404 392 424 051	W W W W W	FITTING - Swivel STUD - Swivel fitting WASHER - (AN960-10) NUT - (AN320-3) COTTER PIN - (MS24665-132)	1 1 1 1 1	
-36	69992-02		DUCT AND FLAPPER VALVE ASSEMBLY - Aft	1	34-7970324 and up
-37	69885-12		* FLAPPER VALVE ASSEMBLY - Fresh air intake	1	34-7970324 and up
-38	69885-02		* * SHAFT ASSEMBLY	1	34-7970324 and up
-39	69885-03		* * FLAPPER ASSEMBLY	1	34-7970324 and up
-40	79293-06		CABLE - Blower	1	

When ordering, always specify Part Number, Description and Serial Number of Aircraft

1E24
INTENTIONALLY LEFT BLANK

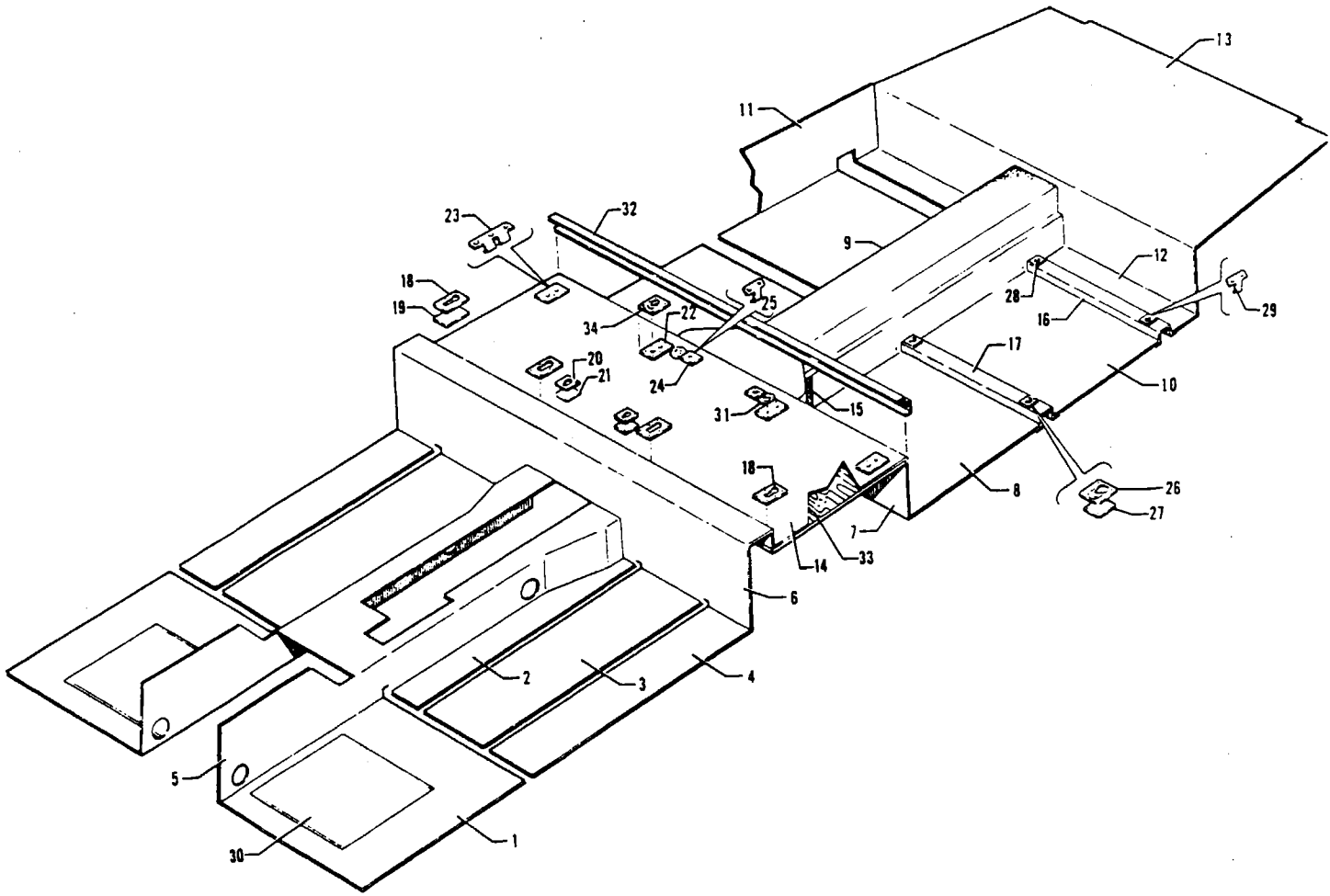


Figure 24. Carpet Installation

1F1

REVISED: FEBRUARY 1977

PA-34-200T

PIPER PARTS CATALOG

CODE EXPLANATIONS FOR FIGURE 24

- A - Used if sound reduction carpeting is installed
- B - When ordering, specify color red, blue/green, black or avocado
- C - When ordering, specify color. For 1975 and 1976 models specify color red, blue, black or green. For 1977 models specify color heather or Monaco. For 1978 models and up specify color heather, palm, raspberry, brown, firethorn red, medium saddle or dark cedar. Specify color royal blue (color code 781) for serial numbers 34-7870001 to 34-7970271 incl., or dark blue (color code 795) for serial numbers 34-7970272 and up
- D - Refer to Figure 27B if aft facing center seats are installed
- E - When ordering, specify color "bark II" or black
- F - See Figure 27B if aft facing center seats are installed

PIPER PARTS CATALOG

Figure and Index Number	Part Number	Code	NOMENCLATURE	No. Req.	SERIAL NUMBERS AFFECTED	
24-2	591 641		CARPET - Front, right inboard, royal blue	1	34-7870001 to 34-8070377 incl.	
	591 811		CARPET - Front, right inboard, dark blue	1	34-8170001 and up	
	591 642		CARPET - Front, right inboard, raspberry	1	34-7870001 to 34-8070377 incl.	
	591 643		CARPET - Front, right inboard, brown	1	34-7870001 to 34-8070377 incl.	
	591 869		CARPET - Front, right inboard, firethorn red	1	34-8070001 and up	
	591 870		CARPET - Front, right inboard, medium saddle	1	34-8070001 and up	
	591 948		CARPET - Front, right inboard, dark cedar	1	34-8170001 and up	
	-3	591 026		CARPET - Front, center, red	2	34-7570001 to 34-7670393 incl.
		591 028		CARPET - Front, center, blue	2	34-7570001 to 34-7670393 incl.
		591 027		CARPET - Front, center, black	2	34-7570001 to 34-7670393 incl.
591 030			CARPET - Front, center, green	2	34-7570001 to 34-7670393 incl.	
79236-05		A,C	CARPET - Front, center	2		
591 503			CARPET - Front, center, heather	2	34-7770001 and up	
591 504			CARPET - Front, center, monaco	2	34-7770001 to 34-7770441 incl.	
591 624			CARPET - Front, center, palm	2	34-7870001 to 34-8070377 incl.	
591 625			CARPET - Front, center, royal blue	2	34-7870001 to 34-8070377 incl.	
591 807			CARPET - Front, center, dark blue	2	34-8170001 and up	
-4	591 626		CARPET - Front, center, raspberry	2	34-7870001 to 34-8070377 incl.	
	591 627		CARPET - Front, center, brown	2	34-7870001 to 34-8070377 incl.	
	591 861		CARPET - Front, center, firethorn red	2	34-8070001 and up	
	591 862		CARPET - Front, center, medium saddle	2	34-8070001 and up	
	591 944		CARPET - Front, center, dark cedar	2	34-8170001 and up	
	591 031		CARPET - Front, outboard, red	2	34-7570001 to 34-7670393 incl.	
	591 033		CARPET - Front, outboard, blue	2	34-7570001 to 34-7670393 incl.	
	591 032		CARPET - Front, outboard, black	2	34-7570001 to 34-7670393 incl.	
	591 035		CARPET - Front, outboard, green	2	34-7570001 to 34-7670393 incl.	
	79236-16	A,C	CARPET - Front, outboard	2		
-5	591 501		CARPET - Front, outboard, heather	2	34-7770001 and up	
	591 502		CARPET - Front, outboard, monaco	2	34-7770001 to 34-7770441 incl.	
	591 620		CARPET - Front, outboard, palm	2	34-7870001 to 34-8070377 incl.	
	591 621		CARPET - Front, outboard, royal blue	2	34-7870001 to 34-8070377 incl.	
	591 806		CARPET - Front, outboard, dark blue	2	34-8170001 and up	
	591 622		CARPET - Front, outboard, raspberry	2	34-7870001 to 34-8070377 incl.	
	591 623		CARPET - Front, outboard, brown	2	34-7870001 to 34-8070377 incl.	
	591 859		CARPET - Front, outboard, firethorn red	2	34-8070001 and up	
	591 860		CARPET - Front, outboard, medium saddle	2	34-8070001 and up	
	591 943		CARPET - Front, outboard, dark cedar	2	34-8170001 and up	
-6	591 475		CARPET - Forward tunnel, red	1	34-7570001 to 34-7670393 incl.	
	591 477		CARPET - Forward tunnel, blue	1	34-7570001 to 34-7670393 incl.	
	591 476		CARPET - Forward tunnel, black	1	34-7570001 to 34-7670393 incl.	
	591 478		CARPET - Forward tunnel, green	1	34-7570001 to 34-7670393 incl.	
	591 571		CARPET - Forward tunnel, heather	1	34-7770001 and up	
	591 572		CARPET - Forward tunnel, monaco	1	34-7770001 to 34-7770441 incl.	
	591 752		CARPET - Forward tunnel, palm	1	34-7870001 to 34-8070377 incl.	
	591 753		CARPET - Forward tunnel, royal blue	1	34-7870001 to 34-8070377 incl.	
	591 842		CARPET - Forward tunnel, dark blue	1	34-8170001 and up	
	591 754		CARPET - Forward tunnel, raspberry	1	34-7870001 to 34-8070377 incl.	
-6	591 755		CARPET - Forward tunnel, brown	1	34-7870001 to 34-8070377 incl.	
	591 933		CARPET - Forward tunnel, firethorn red	1	34-8070001 and up	
	591 934		CARPET - Forward tunnel, medium saddle	1	34-8070001 and up	
	591 979		CARPET - Forward tunnel, dark cedar	1	34-8170001 and up	
	591 380		CARPET ASSEMBLY - Spar box, red	1	34-7570001 to 34-7670393 incl.	
	591 382		CARPET ASSEMBLY - Spar box, blue	1	34-7570001 to 34-7670393 incl.	
	591 381		CARPET ASSEMBLY - Spar box, black	1	34-7570001 to 34-7670393 incl.	
	591 384		CARPET ASSEMBLY - Spar box, green	1	34-7570001 to 34-7670393 incl.	
	591 569		CARPET ASSEMBLY - Spar box, heather	1	34-7770001 and up	
	591 570		CARPET ASSEMBLY - Spar box, monaco	1	34-7770001 to 34-7770441 incl.	

When ordering, always specify Part Number, Description and Serial Number of Aircraft

PIPER PARTS CATALOG

Figure and Index Number	Part Number	Code	NOMENCLATURE	No. Req.	SERIAL NUMBERS AFFECTED	
24-6	591 748		CARPET ASSEMBLY - Spar box, palm	1	34-7870001 to 34-8070377 incl.	
	591 749		CARPET ASSEMBLY - Spar box, royal blue	1	34-7870001 to 34-8070377 incl.	
	591 841		CARPET ASSEMBLY - Spar box, dark blue	1	34-8170001 and up	
	591 750		CARPET ASSEMBLY - Spar box, raspberry	1	34-7870001 to 34-8070377 incl.	
	591 751		CARPET ASSEMBLY - Spar box, brown	1	34-7870001 to 34-8070377 incl.	
	591 931		CARPET ASSEMBLY - Spar box, firethorn red	1	34-8070001 and up	
	591 932		CARPET ASSEMBLY - Spar box, medium saddle	1	34-8070001 and up	
	591 978		CARPET ASSEMBLY - Spar box, dark cedar	1	34-8170001 and up	
	-7	591 451		CARPET - Aft, left, red	1	34-7570001 to 34-7670393 incl.
		591 453		CARPET - Aft, left, blue	1	34-7570001 to 34-7670393 incl.
		591 452		CARPET - Aft, left, black	1	34-7570001 to 34-7670393 incl.
		591 454		CARPET - Aft, left, green	1	34-7570001 to 34-7670393 incl.
		591 535		CARPET - Aft, left, heather	1	34-7770001 and up
		591 536		CARPET - Aft, left, monaco	1	34-7770001 to 34-7770441 incl.
591 680			CARPET - Aft, left, palm	1	34-7870001 to 34-8070377 incl.	
591 681			CARPET - Aft, left, royal blue	1	34-7870001 to 34-8070377 incl.	
591 821			CARPET - Aft, left, dark blue	1	34-8170001 and up	
591 682			CARPET - Aft, left, raspberry	1	34-7870001 to 34-8070377 incl.	
591 683			CARPET - Aft, left, brown	1	34-7870001 to 34-8070377 incl.	
591 889			CARPET - Aft, left, firethorn red	1	34-8070001 and up	
591 890			CARPET - Aft, left, medium saddle	1	34-8070001 and up	
591 958			CARPET - Aft, left, dark cedar	1	34-8170001 and up	
591 455			CARPET - Aft, right, red	1	34-7570001 to 34-7670393 incl.	
591 457			CARPET - Aft, right, blue	1	34-7570001 to 34-7670393 incl.	
591 456			CARPET - Aft, right, black	1	34-7570001 to 34-7670393 incl.	
591 458			CARPET - Aft, right, green	1	34-7570001 to 34-7670393 incl.	
591 537			CARPET - Aft, right, heather	1	34-7770001 and up	
591 538			CARPET - Aft, right, monaco	1	34-7770001 to 34-7770441 incl.	
591 684			CARPET - Aft, right, palm	1	34-7870001 to 34-8070377 incl.	
591 685			CARPET - Aft, right, royal blue	1	34-7870001 to 34-8070377 incl.	
591 823			CARPET - Aft, right, dark blue	1	34-8170001 and up	
591 686			CARPET - Aft, right, raspberry	1	34-7870001 to 34-8070377 incl.	
591 687			CARPET - Aft, right, brown	1	34-7870001 to 34-8070377 incl.	
591 891			CARPET - Aft, right, firethorn red	1	34-8070001 and up	
591 892			CARPET - Aft, right, medium saddle	1	34-8070001 and up	
591 959			CARPET - Aft, right, dark cedar	1	34-8170001 and up	
-8		591 102		CARPET - Aft, left, red	1	34-7570001 to 34-7670393 incl.
		591 104		CARPET - Aft, left, blue	1	34-7570001 to 34-7670393 incl.
		591 103		CARPET - Aft, left, black	1	34-7570001 to 34-7670393 incl.
		591 106		CARPET - Aft, left, green	1	34-7570001 to 34-7670393 incl.
		79236-19	A.C	CARPET - Aft, left	1	
		591 553		CARPET - Aft, left, heather	1	34-7770001 and up
	591 554		CARPET - Aft, left, monaco	1	34-7770001 to 34-7770441 incl.	
	591 716		CARPET - Aft, left, palm	1	34-7870001 to 34-8070377 incl.	
	591 717		CARPET - Aft, left, royal blue	1	34-7870001 to 34-8070377 incl.	
	591 831		CARPET - Aft, left, dark blue	1	34-8170001 and up	
	591 718		CARPET - Aft, left, raspberry	1	34-7870001 to 34-8070377 incl.	
	591 719		CARPET - Aft, left, brown	1	34-7870001 to 34-8070377 incl.	
	591 911		CARPET - Aft, left, firethorn red	1	34-8070001 and up	
	591 912		CARPET - Aft, left, medium saddle	1	34-8070001 and up	
	591 968		CARPET - Aft, left, dark cedar	1	34-8170001 and up	
	591 107		CARPET - Aft, right, red	1	34-7570001 to 34-7670393 incl.	
	591 109		CARPET - Aft, right, blue	1	34-7570001 to 34-7670393 incl.	
	591 108		CARPET - Aft, right, black	1	34-7570001 to 34-7670393 incl.	
	591 111		CARPET - Aft, right, green	1	34-7570001 to 34-7670393 incl.	
	79236-20	A.C	CARPET - Aft, right	1		
	591 555		CARPET - Aft, right, heather	1	34-7770001 and up	

When ordering, always specify Part Number, Description and Serial Number of Aircraft

PIPER PARTS CATALOG

Figure and Index Number	Part Number	Code	NOMENCLATURE	No. Req.	SERIAL NUMBERS AFFECTED
24-8	591 556		CARPET - Aft, right, monaco	1	34-7770001 to 34-7770441 incl.
	591 720		CARPET - Aft, right, palm	1	34-7870001 to 34-8070377 incl.
	591 721		CARPET - Aft, right, royal blue	1	34-7870001 to 34-8070377 incl.
	591 832		CARPET - Aft, right, dark blue	1	34-8170001 and up
	591 722		CARPET - Aft, right, raspberry	1	34-7870001 to 34-8070377 incl.
	591 723		CARPET - Aft, right, brown	1	34-7870001 to 34-8070377 incl.
	591 913		CARPET - Aft, right, firethorn red	1	34-8070001 and up
	591 914		CARPET - Aft, right, medium saddle	1	34-8070001 and up
-9	591 969		CARPET - Aft, right, dark cedar	1	34-8170001 and up
	591 459		CARPET ASSEMBLY - Aft tunnel, red	1	34-7570001 to 34-7670393 incl.
	591 461		CARPET ASSEMBLY - Aft tunnel, blue	1	34-7570001 to 34-7670393 incl.
	591 460		CARPET ASSEMBLY - Aft tunnel, black	1	34-7570001 to 34-7670393 incl.
	591 462		CARPET ASSEMBLY - Aft tunnel, green	1	34-7570001 to 34-7670393 incl.
	591 561		CARPET ASSEMBLY - Aft tunnel, heather	1	34-7770001 and up
	591 562		CARPET ASSEMBLY - Aft tunnel, monaco	1	34-7770001 to 34-7770441 incl.
	591 740		CARPET ASSEMBLY - Aft tunnel, palm	1	34-7870001 to 34-8070377 incl.
	591 741		CARPET ASSEMBLY - Aft tunnel, royal blue	1	34-7870001 to 34-8070377 incl.
	591 837		CARPET ASSEMBLY - Aft tunnel, dark blue	1	34-8170001 and up
	591 742		CARPET ASSEMBLY - Aft tunnel, raspberry	1	34-7870001 to 34-8070377 incl.
	591 743		CARPET ASSEMBLY - Aft tunnel, brown	1	34-7870001 to 34-8070377 incl.
	591 923		CARPET ASSEMBLY - Aft tunnel, firethorn red	1	34-8070001 and up
	591 924		CARPET ASSEMBLY - Aft tunnel, medium saddle	1	34-8070001 and up
	591 974		CARPET ASSEMBLY - Aft tunnel, dark cedar	1	34-8170001 and up
-10	591 087		CARPET - Aft, left, red	1	34-7570001 to 34-7670393 incl.
	591 089		CARPET - Aft, left, blue	1	34-7570001 to 34-7670393 incl.
	591 088		CARPET - Aft, left, black	1	34-7570001 to 34-7670393 incl.
	591 091		CARPET - Aft, left, green	1	34-7570001 to 34-7670393 incl.
	79236-21	A.C	CARPET - Aft, left	1	
	591 557		CARPET - Aft, left, heather	1	34-7770001 and up
	591 558		CARPET - Aft, left, monaco	1	34-7770001 to 34-7770441 incl.
	591 724		CARPET - Aft, left, palm	1	34-7870001 to 34-8070377 incl.
	591 725		CARPET - Aft, left, royal blue	1	34-7870001 to 34-8070377 incl.
	591 833		CARPET - Aft, left, dark blue	1	34-8170001 and up
	591 726		CARPET - Aft, left, raspberry	1	34-7970001 to 34-8070377 incl.
	591 727		CARPET - Aft, left, brown	1	34-7870001 to 34-8070377 incl.
	591 915		CARPET - Aft, left, firethorn red	1	34-8070001 and up
	591 916		CARPET - Aft, left, medium saddle	1	34-8070001 and up
	591 970		CARPET - Aft, left, dark cedar	1	34-8170001 and up
	591 092		CARPET - Aft, right, red	1	34-7570001 to 34-7670393 incl.
	591 094		CARPET - Aft, right, blue	1	34-7570001 to 34-7670393 incl.
	591 093		CARPET - Aft, right, black	1	34-7570001 to 34-7670393 incl.
	591 096		CARPET - Aft, right, green	1	34-7570001 to 34-7670393 incl.
	79236-22	A.C	CARPET - Aft, right	1	
	591 559		CARPET - Aft, right, heather	1	34-7770001 and up
	591 560		CARPET - Aft, right, monaco	1	34-7770001 to 34-7770441 incl.
	591 728		CARPET - Aft, right, palm	1	34-7870001 to 34-8070377 incl.
	591 729		CARPET - Aft, right, royal blue	1	34-7870001 to 34-8070377 incl.
	591 834		CARPET - Aft, right, dark blue	1	34-8170001 and up
	591 730		CARPET - Aft, right, raspberry	1	34-7870001 to 34-8070377 incl.
	591 731		CARPET - Aft, right, brown	1	34-7870001 to 34-8070377 incl.
591 917		CARPET - Aft, right, firethorn red	1	34-8070001 and up	
591 918		CARPET - Aft, right, medium saddle	1	34-8070001 and up	
591 971		CARPET - Aft, right, dark cedar	1	34-8170001 and up	
-11	591 077		CARPET ASSEMBLY - Aft, left outboard, red	1	34-7570001 to 34-7670393 incl.
	591 079		CARPET ASSEMBLY - Aft, left outboard, blue	1	34-7570001 to 34-7670393 incl.
	591 078		CARPET ASSEMBLY - Aft, left outboard, black	1	34-7570001 to 34-7670393 incl.
	591 081		CARPET ASSEMBLY - Aft, left outboard, green	1	34-7570001 to 34-7670393 incl.

When ordering, always specify Part Number, Description and Serial Number of Aircraft

PIPER PARTS CATALOG

Figure and Index Number	Part Number	Code	NOMENCLATURE	No. Req.	SERIAL NUMBERS AFFECTED	
24-11	591 565		CARPET ASSEMBLY - Aft, left outboard, heather	1	34-7770001 and up	
	591 566		CARPET ASSEMBLY - Aft, left outboard, monaco	1	34-7770001 to 34-7770441 incl.	
	591 768		CARPET ASSEMBLY - Aft, left outboard, palm	1	34-7870001 to 34-8070377 incl.	
	591 769		CARPET ASSEMBLY - Aft, left outboard, royal blue	1	34-7870001 to 34-8070377 incl.	
	591 839		CARPET ASSEMBLY - Aft, left outboard, dark blue	1	34-8170001 and up	
	591 770		CARPET ASSEMBLY - Aft, left outboard, raspberry	1	34-7870001 to 34-8070377 incl.	
	591 771		CARPET ASSEMBLY - Aft, left outboard, brown	1	34-7870001 to 34-8070377 incl.	
	591 927		CARPET ASSEMBLY - Aft, left outboard, firethorn red	1	34-8070001 and up	
	591 928		CARPET ASSEMBLY - Aft, left outboard, medium saddle	1	34-8070001 and up	
	591 976		CARPET ASSEMBLY - Aft, left outboard, dark cedar	1	34-8170001 and up	
	591 082		CARPET ASSEMBLY - Aft, right outboard, red	1	34-7570001 to 34-7670393 incl.	
	591 084		CARPET ASSEMBLY - Aft, right outboard, blue	1	34-7570001 to 34-7670393 incl.	
	591 083		CARPET ASSEMBLY - Aft, right outboard, black	1	34-7570001 to 34-7670393 incl.	
	591 086		CARPET ASSEMBLY - Aft, right outboard, green	1	34-7570001 to 34-7670393 incl.	
	591 567		CARPET ASSEMBLY - Aft, right outboard, heather	1	34-7770001 and up	
	591 568		CARPET ASSEMBLY - Aft, right outboard, monaco	1	34-7770001 to 34-7770441 incl.	
	591 772		CARPET ASSEMBLY - Aft, right outboard, palm	1	34-7870001 to 34-8070377 incl.	
	591 773		CARPET ASSEMBLY - Aft, right outboard, royal blue	1	34-7870001 to 34-8070377 incl.	
	591 840		CARPET ASSEMBLY - Aft, right outboard, dark blue	1	34-8170001 and up	
	591 774		CARPET ASSEMBLY - Aft, right outboard, raspberry	1	34-7870001 to 34-8070377 incl.	
	591 775		CARPET ASSEMBLY - Aft, right outboard, brown	1	34-7870001 to 34-8070377 incl.	
	591 929		CARPET ASSEMBLY - Aft, right outboard, firethorn red	1	34-8070001 and up	
	591 930		CARPET ASSEMBLY - Aft, right outboard, medium saddle	1	34-8070001 and up	
	591 977		CARPET ASSEMBLY - Aft, right outboard, dark cedar	1	34-8170001 and up	
	-12	591 097		CARPET - Aft, left, red	1	34-7570001 to 34-7670393 incl.
		591 099		CARPET - Aft, left, blue	1	34-7570001 to 34-7670393 incl.
		591 098		CARPET - Aft, left, black	1	34-7570001 to 34-7670393 incl.
		591 101		CARPET - Aft, left, green	1	34-7570001 to 34-7670393 incl.
		591 523		CARPET - Aft, left, heather	1	34-7770001 and up
		591 524		CARPET - Aft, left, monaco	1	34-7770001 to 34-7770441 incl.
		591 656		CARPET - Aft, left, palm	1	34-7870001 to 34-8070377 incl.
		591 657		CARPET - Aft, left, royal blue	1	34-7870001 to 34-8070377 incl.
		591 815		CARPET - Aft, left, dark blue	1	34-8170001 and up
		591 658		CARPET - Aft, left, raspberry	1	34-7870001 to 34-8070377 incl.
591 659			CARPET - Aft, left, brown	1	34-7870001 to 34-8070377 incl.	
591 877			CARPET - Aft, left, firethorn red	1	34-8070001 and up	
591 878			CARPET - Aft, left, medium saddle	1	34-8070001 and up	
591 952			CARPET - Aft, left, dark cedar	1	34-8170001 and up	
79236-23		A,C	CARPET - Aft, left	1	34-7770001 and up	
591 112			CARPET - Aft, right, red	1	34-7570001 to 34-7670393 incl.	
591 114			CARPET - Aft, right, blue	1	34-7570001 to 34-7670393 incl.	
591 113			CARPET - Aft, right, black	1	34-7570001 to 34-7670393 incl.	
591 116			CARPET - Aft, right, green	1	34-7570001 to 34-7670393 incl.	
591 525			CARPET - Aft, right, heather	1	34-7770001 and up	
591 526			CARPET - Aft, right, monaco	1	34-7770001 to 34-7770441 incl.	
591 660			CARPET - Aft, right, palm	1	34-7870001 to 34-8070377 incl.	
591 661			CARPET - Aft, right, royal blue	1	34-7870001 to 34-8070377 incl.	
591 816			CARPET - Aft, right, dark blue	1	34-8170001 and up	
591 662			CARPET - Aft, right, raspberry	1	34-7870001 to 34-8070377 incl.	
591 663			CARPET - Aft, right, brown	1	34-7870001 to 34-8070377 incl.	
591 879			CARPET - Aft, right, firethorn red	1	34-8070001 and up	
591 880			CARPET - Aft, right, medium saddle	1	34-8070001 and up	
591 953			CARPET - Aft, right, dark cedar	1	34-8170001 and up	
79236-24		A,C	CARPET - Aft, right	1	34-7770001 and up	

When ordering, always specify Part Number, Description and Serial Number of Aircraft

PIPER PARTS CATALOG

Figure and Index Number	Part Number	Code	NOMENCLATURE	No. Req.	SERIAL NUMBERS AFFECTED
24-13	591 127	A,C	CARPET - Aft, red	1	34-7570001 to 34-7670393 incl.
	591 129		CARPET - Aft, blue	1	34-7570001 to 34-7670393 incl.
	591 128		CARPET - Aft, black	1	34-7570001 to 34-7670393 incl.
	591 131		CARPET - Aft, green	1	34-7570001 to 34-7670393 incl.
	79236-26		CARPET - Aft	1	
	591 529		CARPET - Aft, heather	1	34-7770001 and up
	591 530		CARPET - Aft, monaco	1	34-7770001 to 34-7770441 incl.
	591 668		CARPET - Aft, palm	1	34-7870001 to 34-8070377 incl.
	591 669		CARPET - Aft, royal blue	1	34-7870001 to 34-8070377 incl.
	591 818		CARPET - Aft, dark blue	1	34-8170001 and up
	591 670		CARPET - Aft, raspberry	1	34-7870001 to 34-8070377 incl.
	591 671		CARPET - Aft, brown	1	34-7870001 to 34-8070377 incl.
	591 883		CARPET - Aft, firethorn red	1	34-8070001 and up
	591 884		CARPET - Aft, medium saddle	1	34-8070001 and up
	591 955		CARPET - Aft, dark cedar	1	34-8170001 and up
-14	591 067		CARPET - Center, red	1	34-7570001 to 34-7670393 incl.
	591 069		CARPET - Center, blue	1	34-7570001 to 34-7670393 incl.
	591 068		CARPET - Center, black	1	34-7570001 to 34-7670393 incl.
	591 071		CARPET - Center, green	1	34-7570001 to 34-7670393 incl.
	591 519		CARPET - Center, heather	1	34-7770001 and up
	591 520		CARPET - Center, monaco	1	34-7770001 to 34-7770441 incl.
	591 648		CARPET - Center, palm	1	34-7870001 to 34-8070377 incl.
	591 649		CARPET - Center, royal blue	1	34-7870001 to 34-8070377 incl.
	591 813		CARPET - Center, dark blue	1	34-8170001 and up
	591 650		CARPET - Center, raspberry	1	34-7870001 to 34-8070377 incl.
	591 651		CARPET - Center, brown	1	34-7870001 to 34-8070377 incl.
	591 873		CARPET - Center, firethorn red	1	34-8070001 and up
	591 874		CARPET - Center, medium saddle	1	34-8070001 and up
	591 950		CARPET - Center, dark cedar	1	34-8170001 and up
-15	591 463		CARPET - Aft tunnel, left, red	1	34-7570001 to 34-7670393 incl.
	591 465		CARPET - Aft tunnel, left, blue	1	34-7570001 to 34-7670393 incl.
	591 464		CARPET - Aft tunnel, left, black	1	34-7570001 to 34-7670393 incl.
	591 466		CARPET - Aft tunnel, left, green	1	34-7570001 to 34-7670393 incl.
	591 479	CARPET - Aft tunnel, left, heather	1	34-7770001 and up	
	591 480	CARPET - Aft tunnel, left, monaco	1	34-7770001 to 34-7770441 incl.	
	591 592	CARPET - Aft tunnel, left, palm	1	34-7870001 to 34-8070377 incl.	
	591 593	CARPET - Aft tunnel, left, royal blue	1	34-7870001 to 34-8070377 incl.	
	591 799	CARPET - Aft tunnel, left, dark blue	1	34-8170001 and up	
	591 594	CARPET - Aft tunnel, left, raspberry	1	34-7870001 to 34-8070377 incl.	
	591 595	CARPET - Aft tunnel, left, brown	1	34-7870001 to 34-8070377 incl.	
	591 845	CARPET - Aft tunnel, left, firethorn red	1	34-8070001 and up	
	591 846	CARPET - Aft tunnel, left, medium saddle	1	34-8070001 and up	
	591 936	CARPET - Aft tunnel, left, dark cedar	1	34-8170001 and up	
	591 467	CARPET - Aft tunnel, right, red	1	34-7570001 to 34-7670393 incl.	
	591 469	CARPET - Aft tunnel, right, blue	1	34-7570001 to 34-7670393 incl.	
	591 468	CARPET - Aft tunnel, right, black	1	34-7570001 to 34-7670393 incl.	
	591 470	CARPET - Aft tunnel, right, green	1	34-7570001 to 34-7670393 incl.	
	591 481	CARPET - Aft tunnel, right, heather	1	34-7770001 and up	
	591 482	CARPET - Aft tunnel, right, monaco	1	34-7770001 to 34-7770441 incl.	
	591 596	CARPET - Aft tunnel, right, palm	1	34-7870001 to 34-8070377 incl.	
	591 597	CARPET - Aft tunnel, right, royal blue	1	34-7870001 to 34-8070377 incl.	
	591 800	CARPET - Aft tunnel, right, dark blue	1	34-8170001 and up	
	591 598	CARPET - Aft tunnel, right, raspberry	1	34-7870001 to 34-8070377 incl.	
	591 599	CARPET - Aft tunnel, right, brown	1	34-7870001 to 34-8070377 incl.	
	591 847	CARPET - Aft tunnel, right, firethorn red	1	34-8070001 and up	
	591 848	CARPET - Aft tunnel, right, medium saddle	1	34-8070001 and up	
	591 937	CARPET - Aft tunnel, right, dark cedar	1	34-8170001 and up	

When ordering, always specify Part Number, Description and Serial Number of Aircraft

PIPER PARTS CATALOG

Figure and Index Number	Part Number	Code	NOMENCLATURE	No. Req.	SERIAL NUMBERS AFFECTED
24-16	68090-14	B	CHANNEL - Seat trim, left rear	1	34-7570001 to 34-7670393 incl
	68090-06		CHANNEL - Seat trim, left rear, brown	1	34-7570001 to 34-7670393 incl
	68090-15	B	CHANNEL - Seat trim, right rear	1	34-7570001 to 34-7670393 incl
	68090-07		CHANNEL - Seat trim, right rear, brown	1	34-7570001 to 34-7670393 incl
	68090-16	E	CHANNEL - Seat trim, left rear	1	34-7770001 and up
	68090-17	E	CHANNEL - Seat trim, right rear	1	34-7770001 and up
-17	68091-14	B	CHANNEL - Seat trim, left forward	1	34-7570001 to 34-7670393 incl
	68091-06		CHANNEL - Seat trim, left forward, brown	1	34-7570001 to 34-7670393 incl
	68091-15	B	CHANNEL - Seat trim, right forward	1	34-7570001 to 34-7670393 incl
	68091-07		CHANNEL - Seat trim, right forward, brown	1	34-7570001 to 34-7670393 incl
	79681-02	E	CHANNEL - Seat trim, left forward	1	34-7770001 and up
	79681-03	E	CHANNEL - Seat trim, right forward	1	34-7770001 and up
-18	99141-03		PLATE - Center seat attachment, forward legs	4	34-7570001 to 34-7570054 incl
	68094-03	D	PLATE - Center seat attachment, forward legs	4	34-7570055 to 34-7770147 incl
	99141-03	D	PLATE - Center seat attachment, forward legs	4	34-7770148 and up
	99140-03		PLATE - Center seat attachment, forward legs	4	34-7570001 to 34-7570054 incl
-19	68096-00	D	PLATE - Center seat attachment, forward legs	4	34-7570055 to 34-7770147 incl
	99140-00	D	PLATE - Center seat attachment, forward legs	4	34-7770148 and up
-20	68094-03	D	PLATE - 7th seat attachment, forward legs	2	34-7570001 to 34-7770147 incl
	99141-03	D	PLATE - 7th seat attachment, forward legs	2	34-7770148 and up
-21	68096-00	D	PLATE - 7th seat attachment, forward legs	2	34-7570001 to 34-7770147 incl
	99140-00	D	PLATE - 7th seat attachment, forward legs	2	34-7770148 and up
-22	99139-00		PLATE - Center seat attachment, aft legs	4	34-7570001 to 34-7570054 incl
	79440-00	D	RETAINER ASSEMBLY - Center seat attachment, aft legs	4	34-7570055 to 34-7770147 incl
	79781-02	D	PLATE ASSEMBLY - Center seat attachment, aft legs	4	34-7770148 and up
	99142-00		CLIP - Center seat attachment, aft legs	8	34-7570001 to 34-7570054 incl
-24	79440-02		PLATE - 7th seat attachment, aft legs	2	34-7570001 to 34-7570054 incl
	79440-00	D	RETAINER ASSEMBLY - 7th seat attachment, aft legs	2	34-7570055 to 34-7770147 incl
	79781-02	D	PLATE ASSEMBLY - 7th seat attachment, aft legs	2	34-7770148 and up
	68093-00		CLIP - 7th seat attachment, aft legs	4	34-7570001 to 34-7570054 incl
-26	68094-03		PLATE - Rear seat attachment, forward legs	4	
	68094-03		PLATE - Rear seat attachment, aft legs	4	34-7770001 and up
-27	68096-00		PLATE - Rear seat attachment, forward legs	4	34-7570001 to 34-7670393 incl
	68096-00		PLATE - Rear seat attachment, aft legs	4	34-7770001 and up
-28	79781-02		PLATE ASSEMBLY - Rear seat attachment, forward legs	4	34-7770001 and up
	79440-02		PLATE - Rear seat attachment, aft legs	4	34-7570001 to 34-7570054 incl
	79440-00		RETAINER ASSEMBLY - Rear seat attachment, aft legs	4	34-7570001 to 34-7570393 incl
	68093-00		CLIP - Rear seat attachment, aft legs	8	34-7570001 to 34-7570054 incl
-30	68611-00		PLATE - Heel	2	
-31	99752-00		ATTACHMENT - Ring boot	4	
-32	68613-00	F	STRIP - Trim	1	
-33	96697-00		PANEL ASSEMBLY - Floor center	1	34-7570001 to 34-7570054 incl
	96697-04	D	PANEL ASSEMBLY - Floor center	1	34-7570055 to 34-7770147 incl
	79805-05	D	PANEL ASSEMBLY - Floor center	1	34-7770148 and up
	68094-03		PLATE - Center seat attachment	6	34-7770148 and up

When ordering, always specify Part Number, Description and Serial Number of Aircraft

PIPER PARTS CATALOG

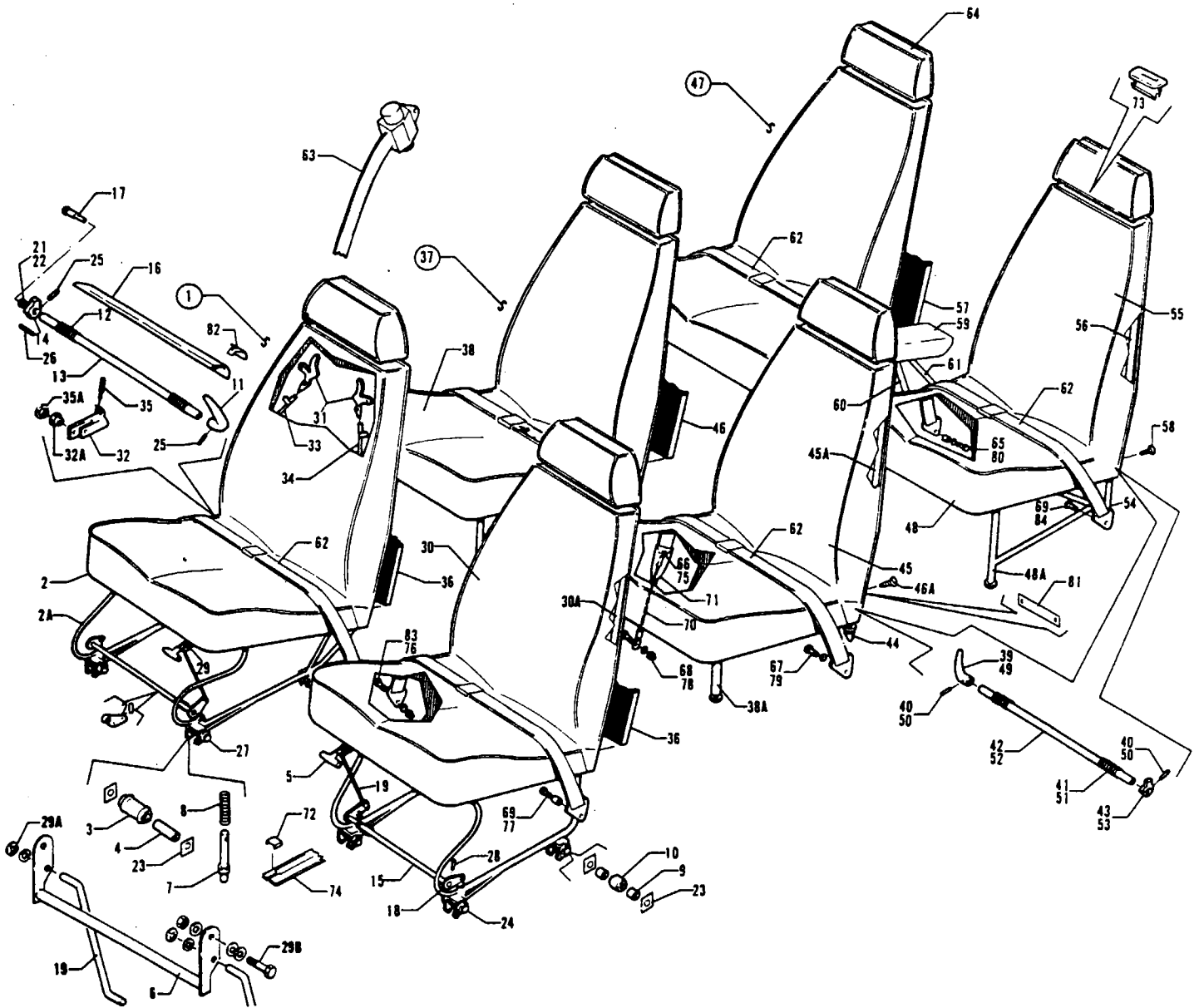


Figure 25. Seats Installation

PIPER PARTS CATALOG

CODE EXPLANATIONS FOR FIGURE 25

- A - Refer to Figure 26 if vertically adjustable front seats are installed, and Figure 27B if aft facing center seats are installed
- B - When ordering this part, serial number of aircraft must be supplied. When ordering for serial nos. 34-7570001 to 34-7670393 incl., specify color red, blue/green, gold, black or green. When ordering for serial nos. 34-7770001 to 34-7970005 incl., specify color red (color code 7326), blue (color code 7327), gold (color code 7328), black, green, navajo sepia, navajo cactus, yellow/dark red, or blue/green. When ordering for serial nos. 34-7970006 and up, specify color red (color code 792), blue (color code 793), gold (color code 794), navajo sepia, or navajo cactus. Also specify trim color black or camel, if applicable, for 1977 and up model aircraft.
- C - If Seat Assembly incorporates a "U" shaped handle for the seat track releasing mechanism, order part for PA-34-200T with serial numbers 34-7570262 and up.
- D - Used if aft facing center seats are installed
- E - When ordering specify color red, blue/green, gold, black, green or bark. Specify color "bark I" for serial numbers 34-7770001 to 34-7770164 inclusive. Specify color "bark II" for serial numbers 34-7770165 and up.
- F - When ordering, specify color olivetone, raspberry, or tan for serial nos. 34-7870001 to 34-7970556 incl. Specify color midnight blue (color code 785) for serial nos. 34-7870001 to 34-7970271 incl., or dark blue (color code 796) for serial nos. 34-7970272 and up. Specify color firethorn red, buckskin, or dark cedar for serial nos. 34-8070001 and up.
- G - When ordering, specify color camel, olivetone, raspberry, tan, firethorn red, buckskin, or dark cedar. Specify color midnight blue (color code 785) for serial nos. 34-7770001 to 34-7970271 incl., or dark blue (color code 796) for serial nos. 34-7970272 and up. Also specify color of support assemblies camel or black.
- H - When ordering, specify color camel or black.
- J - Before ordering, ascertain O.D. at center of seat roller. If O.D. of roller measures .42, (2) rollers P/N 87332-02 must be ordered. If O.D. of roller measures .62, order roller(s) as required.
- W - These parts must be ordered from Service Spares Department, Piper Aircraft, Lock Haven, Penna.

PIPER PARTS CATALOG

Figure and Index Number	Part Number	Code	NOMENCLATURE	No. Req.	SERIAL NUMBERS AFFECTED
25-	78087 78354		DRAWING - Seats Installation DRAWING - Shoulder Harness Installation		
-1	79337-19 79337-45 79337-20 79337-46	B F B F	SEAT ASSEMBLY - Front, left SEAT ASSEMBLY - Front, left (luxurious) SEAT ASSEMBLY - Front, right SEAT ASSEMBLY - Front, right (luxurious)	1 1 1 1	34-7570001 and up 34-7870001 and up 34-7570001 and up 34-7870001 and up
-2	96806-10 79337-25 79337-39	B,C B F	* CUSHION AND FRAME ASSEMBLY - Front seat, bottom, left * CUSHION AND FRAME ASSEMBLY - Front seat, bottom, left * CUSHION AND FRAME ASSEMBLY - Front seat, bottom, left (luxurious)	1 1 1	34-7570001 to 34-7570261 incl. 34-7570262 and up
	98606-11 79337-26 79337-40	B,C B F	* CUSHION AND FRAME ASSEMBLY - Front seat, bottom, right * CUSHION AND FRAME ASSEMBLY - Front seat, bottom, right * CUSHION AND FRAME ASSEMBLY - Front seat, bottom, right (luxurious)	1 1 1	34-7570001 to 34-7570261 incl. 34-7570262 and up 34-7870001 and up
-2a	96765-00 79818-02 96765-01 79818-03	C C C	** FRAME ASSEMBLY - Front seat, bottom, left ** FRAME ASSEMBLY - Front seat, bottom, left ** FRAME ASSEMBLY - Front seat, bottom, right ** FRAME ASSEMBLY - Front seat, bottom, right	1 1 1 1	34-7570001 to 34-7570261 incl. 34-7570262 and up 34-7570001 to 34-7570261 incl. 34-7570262 and up
-3	87332-02	J	*** ROLLER - Seat track	2	
-4	95061-106		*** SPACER	2	
-5	571 149		*** KNOB - (PS10067-1-1)	2	34-7570001 to 34-7570261 incl.
-6	79207-00		*** HANDLE ASSEMBLY - Seat release	1	34-7570262 and up
-7	76175-03		*** PLUNGER - Seat	2	
-8	587 299		*** SPRING - Seat plunger (LC-038F-6SS)	2	
-9	95061-161		*** SPACER - Seat	4	
-10	452 386		*** BEARING - (NAS506-4)	2	
-11	79442-00		*** HANDLE - Seat recliner	1	
-12	19336-00 19336-01	W W	*** SPRING - Seat back adjustment, inboard *** SPRING - Seat back adjustment, outboard	1 1	
-13	19392-15 79230-00 79230-00 79230-00	C,W C C	*** TUBE - Reclining mechanism, left *** TUBE - Reclining mechanism, right *** TUBE - Reclining mechanism, left and right	1 1 1	34-7570001 to 34-7570261 incl. 34-7570001 to 34-7570261 incl.
-14	19365-02	W	*** CAM - Reclining seat	2	
-15	96611-00 96611-01		*** TUBE ASSEMBLY - Seat release, left *** TUBE ASSEMBLY - Seat release, right	1 1	34-7570001 to 34-7570261 incl. 34-7570001 to 34-7570261 incl.
-16	76176-00		*** COVER - Reclining seat	1	
-17	79229-00		*** BEARING SHAFT - Seat release, right	1	
-18	76178-00		*** ARM ASSEMBLY - Seat latch	1	34-7570001 to 34-7570261 incl.
-19	76189-04 79322-04 79322-05		*** ROD - Seat release (6.34" L) *** ROD - Seat release (6.98" L) *** ROD - Seat release (7.68" L)	1 1 1	
-20	76187-00		*** ARM ASSEMBLY - Seat release, right	1	34-7570001 to 34-7570261 incl.
-21	99825-00		*** PLUG - Seat, left	1	34-7570001 to 34-7570261 incl.
-22	79235-00		*** BUSHING - Seat back release, right	1	
-23	79251-00		*** WASHER - Teflon	8	
-24	62833-78		*** WASHER - Seat attachment	8	
-25	480 701	W	*** PIN - Roll (59-028-125-0625)	3	
-26	480 732	W	*** PIN - Roll (59-040-187-0937)	2	
-27	401 318 477 708	W	*** BOLT - (AN4-20A) *** NUT - (26C-048)	4 4	
-28	480 777		*** PIN - (MS9048-100)	2	34-7570001 to 34-7570261 incl.
-29	400 002 494 133 407 585 408 888	W W W W	*** BOLT - (AN4-5A) *** WASHER - Nylon 1/4 I. D. *** WASHER - (AN960-416L) *** NUT - (MS20365-428C)	1 1 1 1	34-7570001 to 34-7570261 incl. 34-7570001 to 34-7570261 incl. 34-7570001 to 34-7570261 incl. 34-7570001 to 34-7570261 incl.
-29a	407 561 406 369	W W	*** WASHER - (AN960-4) *** NUT - (A1037-012-3)	4 4	34-7570262 and up 34-7570262 and up

When ordering, always specify Part Number, Description and Serial Number of Aircraft

PIPER PARTS CATALOG

Figure and Index Number	Part Number	Code	NOMENCLATURE	No. Req.	SERIAL NUMBERS AFFECTED
25-29b	400 002	W	* * * BOLT - (AN4-5A)	2	34-7570262 and up
	494 040		* * * WASHER - Nylon (PS10011-12)	6	34-7570262 and up
	404 836	W	* * * NUT - (MS20364-428C)	2	34-7570262 and up
	-30	79337-16	B	* CUSHION AND FRAME ASSEMBLY - Front seat back, left	1
	79337-27	F	* CUSHION AND FRAME ASSEMBLY - Front seat back, left (luxurious)	1	34-7870001 and up
	96806-22	B,C	* CUSHION AND FRAME ASSEMBLY - Front seat back, right	1	34-7570001 to 34-7570261 incl.
	79337-17	B	* CUSHION AND FRAME ASSEMBLY - Front seat back, right	1	34-7570262 and up
	79337-28	F	* CUSHION AND FRAME ASSEMBLY - Front seat back, right (luxurious)	1	34-7870001 and up
-30a	96810-02		* * FRAME ASSEMBLY - Front seat, back, left	1	34-7570001 to 34-7570261 incl.
	96810-03		* * FRAME ASSEMBLY - Front seat, back, right	1	34-7570001 to 34-7570261 incl.
	79555-00		* * FRAME ASSEMBLY - Front seat, back, left	1	34-7570262 and up
	79555-01		* * FRAME ASSEMBLY - Front seat, back, right	1	34-7570262 and up
-31	79228-00		* * * HANDLE - Seat release, right	2	34-7570001 to 34-7570261 incl.
-32	99718-05		* * * STOP ASSEMBLY - Seat latch, right	1	
-32a	453 732	W	* * * BUSHING - Seat back, right (PS10064-375-4)	1	34-7570262 and up
-33	99719-16		* * CABLE ASSEMBLY - Seat track release	1	34-7570001 to 34-7570261 incl.
-34	99719-03		* * CABLE ASSEMBLY - Seat back, forward	1	34-7570001 to 34-7570261 incl.
-35	587 292		* * SPRING - (LC-018A-9)	1	34-7570001 to 34-7570261 incl.
-35a	79554-02		* * KNOB - Seat back release, right	1	34-7570262 and up
-36	78041-08	C,E	* COVER ASSEMBLY - Seat back, front, right	1	34-7570001 to 34-7570261 incl.
	78041-00	E	* COVER ASSEMBLY - Seat back, front, left and right	1	34-7570262 and up
	78041-09	F	* COVER ASSEMBLY - Seat back, front, left and right (luxurious)	1	34-7870001 and up
-37	96827-02	B	SEAT ASSEMBLY - Center, left	1	34-7570001 to 34-7570054 incl.
	96827-13	B	SEAT ASSEMBLY - Center, left	1	34-7570055 to 34-7770147 incl.
	96827-24	B	SEAT ASSEMBLY - Center, left	1	34-7770148 and up
	96827-33	F	SEAT ASSEMBLY - Center, left (luxurious)	1	34-7870001 and up
	96827-03	B	SEAT ASSEMBLY - Center, right	1	34-7570001 to 34-7570054 incl.
	96827-14	B	SEAT ASSEMBLY - Center, right	1	34-7570055 to 34-7770147 incl.
	96827-25	B	SEAT ASSEMBLY - Center, right	1	34-7770148 and up
	96827-34	F	SEAT ASSEMBLY - Center, right (luxurious)	1	34-7870001 and up
-38	96827-06	B	* CUSHION AND FRAME ASSEMBLY - Center seat, bottom, left	1	34-7570001 to 34-7570054 incl.
	96827-17	B	* CUSHION AND FRAME ASSEMBLY - Center seat, bottom, left	1	34-7570055 to 34-7770147 incl.
	96827-26	B	* CUSHION AND FRAME ASSEMBLY - Center seat, bottom, left	1	34-7770148 and up
	96827-31	F	* CUSHION AND FRAME ASSEMBLY - Center seat, bottom, left (luxurious)	1	34-7870001 and up
	96827-07	B	* CUSHION AND FRAME ASSEMBLY - Center seat, bottom, right	1	34-7570001 to 34-7570054 incl.
	96827-18	B	* CUSHION AND FRAME ASSEMBLY - Center seat, bottom, right	1	34-7570055 to 34-7770147 incl.
	96827-27	B	* CUSHION AND FRAME ASSEMBLY - Center seat, bottom, right	1	34-7770148 and up
	96827-32	F	* CUSHION AND FRAME ASSEMBLY - Center seat, bottom, right (luxurious)	1	34-7870001 and up
-38a	99077-00		* * FRAME ASSEMBLY - Center seat, bottom, left	1	34-7570001 to 34-7770147 incl.
	99077-01		* * FRAME ASSEMBLY - Center seat, bottom, right	1	34-7570001 to 34-7770147 incl.
	99077-16		* * FRAME ASSEMBLY - Center seat, bottom, left	1	34-7770148 and up
	99077-17		* * FRAME ASSEMBLY - Center seat, bottom, right	1	34-7770148 and up
-39	79442-00		* * * HANDLE - Seat recliner	1	
-40	480 701	W	* * * PIN - Roll (59-028-125-0625)	3	
-41	19336-00	W	* * * SPRING - Seat back adjustment, inboard	1	
	19336-01	W	* * * SPRING - Seat back adjustment, outboard	1	
-42	19392-15	W	* * * TUBE - Reclining mechanism	1	
-43	19365-02	W	* * * CAM - Reclining seat	2	
-44	68068-00		* * FOOT - Seat attachment, rear	2	34-7570001 to 34-7570054 incl.
	79436-00		* * FOOT - Seat attachment, rear	2	34-7570055 to 34-7770147 incl.
-45	79337-16	B	* CUSHION AND FRAME ASSEMBLY - Center seat, back	1	34-7570001 and up
	79337-27	F	* CUSHION AND FRAME ASSEMBLY - Center seat, back (luxurious)	1	34-7870001 and up
-45a	79555-00		* * FRAME ASSEMBLY - Center seat, back	1	34-7570001 and up

When ordering, always specify Part Number, Description and Serial Number of Aircraft

PIPER PARTS CATALOG

Figure and Index Number	Part Number	Code	NOMENCLATURE	No. Req.	SERIAL NUMBERS AFFECTED
25-46	78041-00	E	* COVER ASSEMBLY - Seat back	1	34-7570001 and up
	78041-09	F	* COVER ASSEMBLY - Seat back (luxurious)	1	34-7870001 and up
-46a	67958-02	F	* BUTTON ASSEMBLY - Seat back	3	
-47	96827-04	B	SEAT ASSEMBLY - Rear, left	1	34-7570001 to 34-7570054 incl
	96827-15	B	SEAT ASSEMBLY - Rear, left	1	34-7570055 to 34-7670393 incl
	79479-02	B	SEAT ASSEMBLY - Rear, left	1	34-7770001 and up
	79479-12	F	SEAT ASSEMBLY - Rear, left (luxurious)	1	34-7870001 and up
	96827-05	B	SEAT ASSEMBLY - Rear, right	1	34-7570001 to 34-7570054 incl
	96827-16	B	SEAT ASSEMBLY - Rear, right	1	34-7570055 to 34-7670393 incl
	79479-07	B	SEAT ASSEMBLY - Rear, right	1	34-7770001 and up
	79479-14	F	SEAT ASSEMBLY - Rear, right (luxurious)	1	34-7870001 and up
-48	96827-08	B	* CUSHION AND FRAME ASSEMBLY - Rear seat, bottom, left	1	34-7570001 to 34-7570054 incl
	96827-19	B	* CUSHION AND FRAME ASSEMBLY - Rear seat, bottom, left	1	34-7570055 to 34-7670393 incl
	79479-08	B	* CUSHION AND FRAME ASSEMBLY - Rear seat, bottom, left	1	34-7770001 and up
	79479-15	F	* CUSHION AND FRAME ASSEMBLY - Rear seat, bottom, left (luxurious)	1	34-7870001 and up
	96827-09	B	* CUSHION AND FRAME ASSEMBLY - Rear seat, bottom, right	1	34-7570001 to 34-7570054 incl
	96827-20	B	* CUSHION AND FRAME ASSEMBLY - Rear seat, bottom, right	1	34-7570055 to 34-7670393 incl
	79479-11	B	* CUSHION AND FRAME ASSEMBLY - Rear seat, bottom, right	1	34-7770001 and up
	79479-17	F	* CUSHION AND FRAME ASSEMBLY - Rear seat, bottom, right (luxurious)	1	34-7870001 and up
-48a	99077-02		** FRAME ASSEMBLY - Rear seat, bottom, left	1	34-7570001 to 34-7670393 incl
	99077-03		** FRAME ASSEMBLY - Rear seat, bottom, right	1	34-7570001 to 34-7670393 incl
	79633-02		** FRAME ASSEMBLY - Rear seat, bottom, left	1	34-7770001 and up
	79633-15		** FRAME ASSEMBLY - Rear seat, bottom, right	1	34-7770001 and up
-49	79442-00		** HANDLE - Seat recliner	1	
-50	480 701	W	** PIN - Roll (59-02B-125-0625)	3	
-51	19336-00	W	** SPRING - Seat back adjustment, inboard	1	
	19336-01	W	** SPRING - Seat back adjustment, outboard	1	
-52	19392-15	W	** TUBE - Reclining mechanism	1	
-53	19365-02	W	** CAM - Reclining seat	2	
-54	68068-00		** FOOT - Seat attachment, rear	2	34-7570001 to 34-7570054 incl
	79436-00		** FOOT - Seat attachment, rear	2	34-7570055 to 34-7670393 incl
-55	79337-16	B	* CUSHION AND FRAME ASSEMBLY - Rear seat, back	1	34-7570001 and up
	79337-27	F	* CUSHION AND FRAME ASSEMBLY - Rear seat, back (luxurious)	1	34-7870001 and up
-56	79555-00		** FRAME ASSEMBLY - Rear seat, back	1	
-57	78041-02	E	* COVER ASSEMBLY - Seat back	1	34-7570001 and up
	78041-10	F	* COVER ASSEMBLY - Seat back (luxurious)	1	34-7870001 and up
-58	67958-02	F	* BUTTON ASSEMBLY - Seat back	3	
-59	79749-03	G	ARMREST ASSEMBLY - Rear seat, right	1	34-7770001 and up
-60	79749-07	H	* SUPPORT ASSEMBLY - Armrest, forward	1	34-7770001 and up
-61	79749-08	H	* SUPPORT ASSEMBLY - Armrest, rear	1	34-7770001 and up
-62	551 390		BELT ASSEMBLY - Lap, forward (PS50039-4-2A)	2	
	551 391		BELT ASSEMBLY - Lap, center (PS50039-4-3A)	2	
	551 392		BELT ASSEMBLY - Lap, rear (PS50039-4-4A)	2	
-63	551 426		BELT ASSEMBLY - Shoulder, forward (without inertia reel) (PS50039-4-24)	2	34-8170001 and up
	452 692		BELT ASSEMBLY - Shoulder, forward (with inertia reel) (PS50039-4-21)	2	
	551 424		BELT ASSEMBLY - Shoulder, center and rear (without inertia reel) (PS50039-4-22)	4	34-8170001 and up

When ordering, always specify Part Number, Description and Serial Number of Aircraft

PIPER PARTS CATALOG

Figure and Index Number	Part Number	Code	NOMENCLATURE	No. Req.	SERIAL NUMBERS AFFECTED
25-63	452 679		BELT ASSEMBLY - Shoulder, center (with inertia reel) (PS50039-4-19)	2	
	551 396		BELT ASSEMBLY - Shoulder, rear (with inertia reel) (PS50039-4-15)	2	34-7570001 to 34-7670393 incl
	452 679		BELT ASSEMBLY - Shoulder, rear (with inertia reel) (PS50039-4-19)	2	34-7770001 and up
-64	96806-17	B,C	HEADREST ASSEMBLY - Front seat, left	1	34-7570001 to 34-7570261 incl.
	96806-26	B,C	HEADREST ASSEMBLY - Front seat, right	1	34-7570001 to 34-7570261 incl.
	79337-18	B	HEADREST ASSEMBLY - Front seats (8" high)	2	34-7570262 and up
	96806-17	B	HEADREST ASSEMBLY - Center and rear seats (8" high)	4	34-7570001 and up
	79764-02	B	HEADREST ASSEMBLY - Front, center and rear seats (10" high)	6	34-7770001 to 34-7970556 incl.
	79337-41	F	HEADREST ASSEMBLY - Front, center and rear seats (6" high) luxurious	6	34-7870001 and up
	79764-04	F	HEADREST ASSEMBLY - Front, center and rear seats (10" high) luxurious	6	34-7870001 to 34-7970556 incl.
-65	63900-147		BUSHING - Seat belt attachment	2	
-66	63900-149		BUSHING - Seat belt attachment	2	
-67	63900-146		BUSHING - Seat belt attachment	2	
-68	95061-90		BUSHING - Seat belt attachment	2	
-69	63900-145		BUSHING - Seat belt attachment	4	
-70	96908-00		CABLE ASSEMBLY - Seat belt attachment	2	
-71	68022-14		BOOT - Seat belt attachment, black	2	
-72	62654-00		STOP - Seat track (1.20" L)	8	
	62654-03	D	STOP - Seat track (3.65" L), rear	4	34-7770001 and up
-73	78044-00		RECEPTACLE - Headrest	12	34-7570001 to 34-7570261 incl.
-74	62557-04		TRACK - Front seat	4	
-75	401 187	W	BOLT - (AN5-7A)	2	
	407 566	W	WASHER - (AN960-516)	2	
	404 837	W	NUT - (MS20364-524C)	2	
-76	400 441	W	BOLT - (AN3-7A)	2	
	407 564	W	WASHER - (AN960-10)	2	
	404 887	W	NUT - (MS20365-1032C)	2	
-77	400 441	W	BOLT - (AN3-7A)	4	
-78	401 194	W	BOLT - (AN5-16A)	2	
	407 566	W	WASHER - (AN960-516)	2	
	404 889	W	NUT - (MS20365-524C)	2	
-79	400 004	W	BOLT - (AN4-7A)	2	
	407 565	W	WASHER - (AN960-416)	2	
-80	400 440	W	BOLT - (AN3-6A)	2	
	407 564	W	WASHER - (AN960-10)	2	
-81	69669-110		PLACARD - Seat back release	4	34-7570001 to 34-7770147 incl.
-82	76176-02		CLIP - Seat stop	2	34-7770001 and up
-83	95061-180		BUSHING - Seat belt attachment	2	
-84	400 441	W	BOLT - (AN3-7A)	2	
	407 564	W	WASHER - (AN960-10)	2	

When ordering, always specify Part Number, Description and Serial Number of Aircraft

PIPER PARTS CATALOG

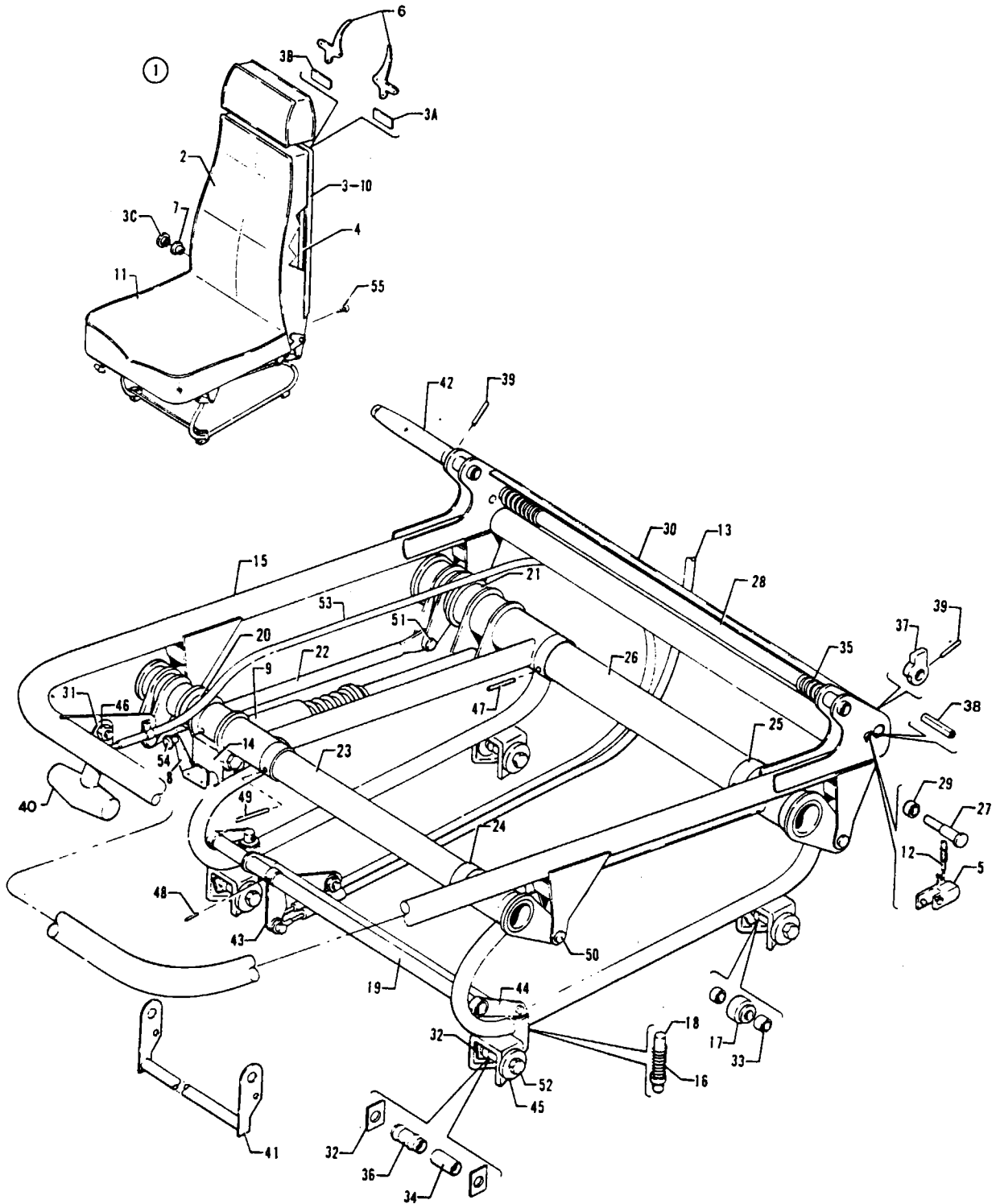


Figure 26 Vertically Adjustable Front Seat Assembly

REVISED: APRIL 1981

1F16

PA-34-200T

PIPER PARTS CATALOG

CODE EXPLANATIONS FOR FIGURE 26

- A - When ordering this part, serial number of aircraft must be supplied. When ordering for serial numbers 34-7570001 to 34-7670393 incl., specify color red, blue/green, gold, black, or green. When ordering for serial nos 34-7770001 to 34-7970005 incl., specify color red (color code 7326), blue (color code 7327), gold (color code 7328), black, green, navajo sepia, navajo cactus, yellow/ dark red, or blue/green. When ordering for serial numbers 34-7970006 and up, specify color red (color code 792), blue (color code 793), gold (color code 794), navajo sepia, or navajo cactus. Also specify trim color black or camel, if applicable, for 1977 and up model aircraft
- B - If Seat Assembly incorporates a "U" shaped handle for the seat track releasing mechanism, order part for PA-34-200T with serial numbers 34-7570262 and up.
- C - When ordering, specify color red, blue/green, gold, black, green, or bark. Specify color "bark I" for serial numbers 34-7770001 to 34-7770164 inclusive. Specify color "bark II" for serial numbers 34-7770165 and up
- D - Used if seat adjustment control assembly 76445-00 (P. L. Porter Co. P/N SL10100 Rev. B) is installed
- E - Used if seat adjustment control assembly 587 404 (Gas Spring Corp. P/N 06-10-080-310-025) is installed
- F - When ordering, specify color olivetone, raspberry, or tan for serial nos 34-7870001 to 34-7970556 incl. Specify color midnight blue (color code 785) for serial nos. 34-7970001 to 34-7970271 incl., or dark blue (color code 796) for serial nos. 34-7970272 and up. Specify color firethorn red, buckskin, or dark cedar for serial nos 34-8070001 and up
- G - Used if Seat Assembly incorporates a "U" shaped handle for the seat track releasing mechanism.
- H - Before ordering, ascertain O.D. at center of seat roller. If O.D. of roller measures .42, (2) rollers P/N 87332-02 must be ordered. If O.D. of roller measures .62, order roller(s) as required
- W - These parts must be ordered from Service Spares Department, Piper Aircraft, Lock Haven, Penna

PIPER PARTS CATALOG

Figure and Index Number	Part Number	Code	NOMENCLATURE	No. Req.	SERIAL NUMBERS AFFECTED
26-1	79592-02	A	SEAT ASSEMBLY - Adjustable front, left	1	34-7570001 and up
	79592-04	F	SEAT ASSEMBLY - Adjustable front, left (luxurious)	1	34-7870001 and up
	79592-03	A	SEAT ASSEMBLY - Adjustable front, right	1	34-7570001 and up
	79592-05	F	SEAT ASSEMBLY - Adjustable front, right (luxurious)	1	34-7870001 and up
-2	79337-16	A	* CUSHION ASSEMBLY - Back, left	1	34-7570001 and up
	79337-27	F	* CUSHION ASSEMBLY - Back, left (luxurious)	1	34-7870001 and up
	96806-22	A,B	* CUSHION ASSEMBLY - Back, right	1	34-7570001 to 34-7570261 incl.
	79337-17	A	* CUSHION ASSEMBLY - Back, right	1	34-7570261 and up
	79337-28	F	* CUSHION ASSEMBLY - Back, right (luxurious)	1	34-7870001 and up
-3	78041-08	B,C	* * COVER ASSEMBLY - Seat back, right	1	34-7570001 to 34-7570261 incl
	78041-00	C	* * COVER ASSEMBLY - Seat back, right	1	34-7570262 and up
	78041-09	F	* * COVER ASSEMBLY - Seat back, right (luxurious)	1	34-7870001 and up
-3a	69669-13		* * * PLACARD - Seat back release, left	1	34-7570001 to 34-7570261 incl
-3b	69669-14		* * * PLACARD - Seat back release, right	1	34-7570001 to 34-7570261 incl
-3c	79554-02		* * KNOB - Seat back release, right	1	34-7570262 and up
-4	79555-00		* * FRAME ASSEMBLY - Back, left	1	34-7570001 and up
	96810-03	B	* * FRAME ASSEMBLY - Back, right	1	34-7570001 to 34-7570261 incl.
	79555-01		* * FRAME ASSEMBLY - Back, right	1	34-7570262 and up
-5	99718-05		* * * STOP ASSEMBLY - Seat latch, right	1	
-6	79228-00		* * * HANDLE - Seat release, right	2	34-7570001 to 34-7570261 incl
-7	453 732	G,W	* * * BUSHING - Seat back, right (PS10064-375-4)	1	
-8	37902-08		* COVER ARM - Actuator, left	1	
	37902-09		* COVER ARM - Actuator, right	1	
-9	76445-00		* CONTROL ASSEMBLY - Seat adjustment (P.L. Porter Co. P/N SL10100 Rev. B)	1	
	587 404		* CONTROL ASSEMBLY - Seat adjustment (Gas Spring Corp. P/N 06-10-080-310-025)	1	
-10	78041-00	C	* COVER ASSEMBLY - Seat back, left	1	34-7570001 and up
	78041-09	F	* COVER ASSEMBLY - Seat back, left (luxurious)	1	34-7870001 and up
-11	555 563		* COVER ASSEMBLY - Seat bottom, red	1	34-7570001 to 34-7670393 incl
	555 564		* COVER ASSEMBLY - Seat bottom, blue/green	1	34-7570001 to 34-7670393 incl.
	555 565		* COVER ASSEMBLY - Seat bottom, gold	1	34-7570001 to 34-7670393 incl.
	555 568		* COVER ASSEMBLY - Seat bottom, green	1	34-7570001 to 34-7670393 incl.
	555 566		* COVER ASSEMBLY - Seat bottom, black	1	34-7570001 to 34-7670393 incl
	555 567		* COVER ASSEMBLY - Seat bottom, white	1	34-7570001 to 34-7670393 incl.
	555 953		* COVER ASSEMBLY - Seat bottom, red (with black trim)	1	34-7770001 to 34-7870492 incl
	555 954		* COVER ASSEMBLY - Seat bottom, blue (with black trim)	1	34-7770001 to 34-7870492 incl
	555 955		* COVER ASSEMBLY - Seat bottom, gold (with black trim)	1	34-7770001 to 34-7870492 incl.
	556 469		* COVER ASSEMBLY - Seat bottom, red (with black trim)	1	34-7970001 to 34-8070377 incl.
	556 470		* COVER ASSEMBLY - Seat bottom, blue (with black trim)	1	34-7970001 to 34-8070377 incl
	556 471		* COVER ASSEMBLY - Seat bottom, gold (with black trim)	1	34-7970001 and up
	555 956		* COVER ASSEMBLY - Seat bottom, green (with black trim)	1	34-7770001 to 34-7770441 incl
	555 957		* COVER ASSEMBLY - Seat bottom, black (with black trim)	1	34-7770001 to 34-7770441 incl
	555 884		* COVER ASSEMBLY - Seat bottom, navajo sepia (with camel trim)	1	34-7770001 and up
	555 885		* COVER ASSEMBLY - Seat bottom, navajo cactus (with camel trim)	1	34-7770001 and up
	555 886		* COVER ASSEMBLY - Seat bottom, yellow/dark red (with camel trim)	1	34-7770001 to 34-7770441 incl
	555 887		* COVER ASSEMBLY - Seat bottom, blue/green (with camel trim)	1	34-7770001 to 34-7770441 incl.
	555 888		* COVER ASSEMBLY - Seat bottom, navajo sepia (with black trim)	1	34-7770001 and up
	555 889		* COVER ASSEMBLY - Seat bottom, navajo cactus (with black trim)	1	34-7770001 and up
	555 890		* COVER ASSEMBLY - Seat bottom, yellow/dark red (with black trim)	1	34-7770001 to 34-7770441 incl

When ordering, always specify Part Number, Description and Serial Number of Aircraft

PIPER PARTS CATALOG

Figure and Index Number	Part Number	Code	NOMENCLATURE	No Req.	SERIAL NUMBERS AFFECTED
26-11	555 891		* COVER ASSEMBLY - Seat bottom, blue/ green (with black trim)	1	34-7770001 to 34-7770441 incl
	556 342		* COVER ASSEMBLY - Seat bottom, red (with camel trim)	1	34-7870001 to 34-7870492 incl
	556 343		* COVER ASSEMBLY - Seat bottom, blue (with camel trim)	1	34-7870001 to 34-7870492 incl
	556 344		* COVER ASSEMBLY - Seat bottom, gold (with camel trim)	1	34-7870001 to 34-7870492 incl
	556 472		* COVER ASSEMBLY - Seat bottom, red (with camel trim)	1	34-7970001 to 34-8070377 incl
	556 473		* COVER ASSEMBLY - Seat bottom, blue (with camel trim)	1	34-7970001 to 34-8070377 incl
	556 474		* COVER ASSEMBLY - Seat bottom, gold (with camel trim)	1	34-7970001 and up
	556 932		* COVER ASSEMBLY - Seat bottom, red	1	34-8170001 and up
	556 933		* COVER ASSEMBLY - Seat bottom, blue	1	34-8170001 and up
	556 236		* COVER ASSEMBLY - Seat bottom, olivetone (luxurious)	1	34-7870001 to 34-7970556 incl
	556 237		* COVER ASSEMBLY - Seat bottom, midnight blue (luxurious)	1	34-7870001 to 34-7970271 incl
	556 705		* COVER ASSEMBLY - Seat bottom, dark blue (luxurious)	1	34-7970272 and up
	556 238		* COVER ASSEMBLY - Seat bottom, raspberry (luxurious)	1	34-7870001 to 34-7970556 incl
	556 239		* COVER ASSEMBLY - Seat bottom, tan (luxurious)	1	34-7870001 to 34-7970556 incl
	556 677		* COVER ASSEMBLY - Seat bottom, firethorn red (luxurious)	1	34-8070001 and up
	556 678		* COVER ASSEMBLY - Seat bottom, buckskin (luxurious)	1	34-8070001 and up
	556 921		* COVER ASSEMBLY - Seat bottom, dark cedar (luxurious)	1	34-8170001 and up
-12	99719-03		* CABLE ASSEMBLY - Seat back release (passenger operated, length 27")	1	34-7570001 to 34-7570261 incl
-13	99719-16		* CABLE ASSEMBLY - Seat track release (passenger operated, length 40")	1	34-7570001 to 34-7570261 incl
-14	37902-02	D	* ADAPTER - Seat control	1	
	37902-06	E	* ADAPTER - Seat control	1	
-15	79540-00	D	* FRAME ASSEMBLY - Bottom, left	1	
	79540-02	E	* FRAME ASSEMBLY - Bottom, left	1	
	79540-01	D	* FRAME ASSEMBLY - Bottom, right	1	
	79540-03	E	* FRAME ASSEMBLY - Bottom, right	1	
-16	587 299		* * SPRING - Seat plunger (LC-038F-6SS)	2	
-17	452 386		* * ROLLER - (NAS506-4)	2	
-18	76175-00		* * PLUNGER	2	
-19	76172-03		* * TUBE - Bellcrank	1	
-20	76347-01		* * BELLCRANK ASSEMBLY - Forward, left	1	
	76347-00		* * BELLCRANK ASSEMBLY - Forward, right	1	
-21	78362-00	D	* * BELLCRANK ASSEMBLY - Aft, left	1	
	79792-02	E	* * BELLCRANK ASSEMBLY - Aft, left	1	
	78362-01	D	* * BELLCRANK ASSEMBLY - Aft, right	1	
	79792-03	E	* * BELLCRANK ASSEMBLY - Aft, right	1	
-22	36864-02		* * LINK ASSEMBLY - Seat (forged)	1	
-23	76343-00		* * TUBE ASSEMBLY - Forward	1	
-24	76351-02		* * BUSHING - Seat	2	
-25	76351-03		* * BUSHING - Seat	2	
-26	78361-00		* * TUBE ASSEMBLY - Aft	1	
-27	79229-00		* * BEARING SHAFT - Seat release, right	1	
-28	79230-00		* * TUBE - Seat reclining	1	
-29	79235-00		* * BUSHING - Seat back release, right	1	
-30	76176-00		* * COVER - Reclining seat	1	
-31	76169-02		* * LEVER - Seat	1	34-7570001 to 34-7570261 incl
-32	79251-00		* * WASHER - Teflon	8	34-7570001 to 34-7670275 incl
-33	95061-161		* * SPACER - Seat	4	
-34	95061-106		* * SPACER	2	
-35	19336-00	W	* * SPRING - Seat back adjustment, inboard	1	
	19336-01	W	* * SPRING - Seat back adjustment, outboard	1	
-36	87332-02	H	* * ROLLER - Seat	2	
-37	19365-02	W	* * CAM - Reclining seat	2	
-38	480 732	W	* * PIN - Roll (59-040-187-0937)	2	
-39	480 701	W	* * PIN - Roll (59-028-125-0625)	3	

When ordering, always specify Part Number, Description and Serial Number of Aircraft

PIPER PARTS CATALOG

Figure and Index Number	Part Number	Code	NOMENCLATURE	No. Req.	SERIAL NUMBERS AFFECTED
26-40	571 149		* * KNOB - (PS10067-1-1)	1	34-7570001 to 34-7570261 incl
-41	79207-00		* * HANDLE - Seat release	1	
-42	79442-00		* * HANDLE - Seat recliner	1	
-43	76187-00		* * ARM ASSEMBLY - Seat release (forged)	1	
-44	36858-02		* * ARM ASSEMBLY - Seat latch	2	
-45	62833-78		* * WASHER	8	
-46	400 002	W	* * BOLT - (AN4-5A)	1	34-7570001 to 34-7570261 incl
	494 133		* * WASHER - Nylon 1/4 I D	1	34-7570001 to 34-7570261 incl
	407 585	W	* * WASHER - (AN960-416L)	1	34-7570001 to 34-7570261 incl.
	404 888	W	* * NUT - (MS20365-428C)	1	34-7570001 to 34-7570261 incl
-47	480 790		* * PIN - (MS9048-172)	4	
-48	480 777		* * PIN - (MS9048-100) 50 long	3	
	480 592		* * PIN - (MS9048-101) .56 long	3	
-49	480 789		* * PIN - (MS9048-170)	4	
-50	424 174	W	* * PIN - (MS20392-2C11)	4	
	407 564	W	* * WASHER - (AN960-10)	4	
	424 051	W	* * COTTER PIN - (MS24665-132)	4	
-51	424 205		* * PIN - (MS20392-3C17)	2	
	407 565	W	* * WASHER - (AN960-416)	2	
	424 051	W	* * PIN - (MS24665-132)	2	
-52	401 318	W	* * BOLT - (AN4-20A)	4	
	477 708		* * NUT - (26C-048)	4	
-53	554 422		* CABLE ASSEMBLY - Seat track release (crew operated, length 27") (PS50146-8-1)	1	
-54	471 084		* KNOB - Actuator (233)	1	
	407 135	W	* WASHER - (AN936-A10)	1	
-55	67958-02	F	* BUTTON ASSEMBLY - Seat back	3	

When ordering, always specify Part Number, Description and Serial Number of Aircraft

PIPER PARTS CATALOG

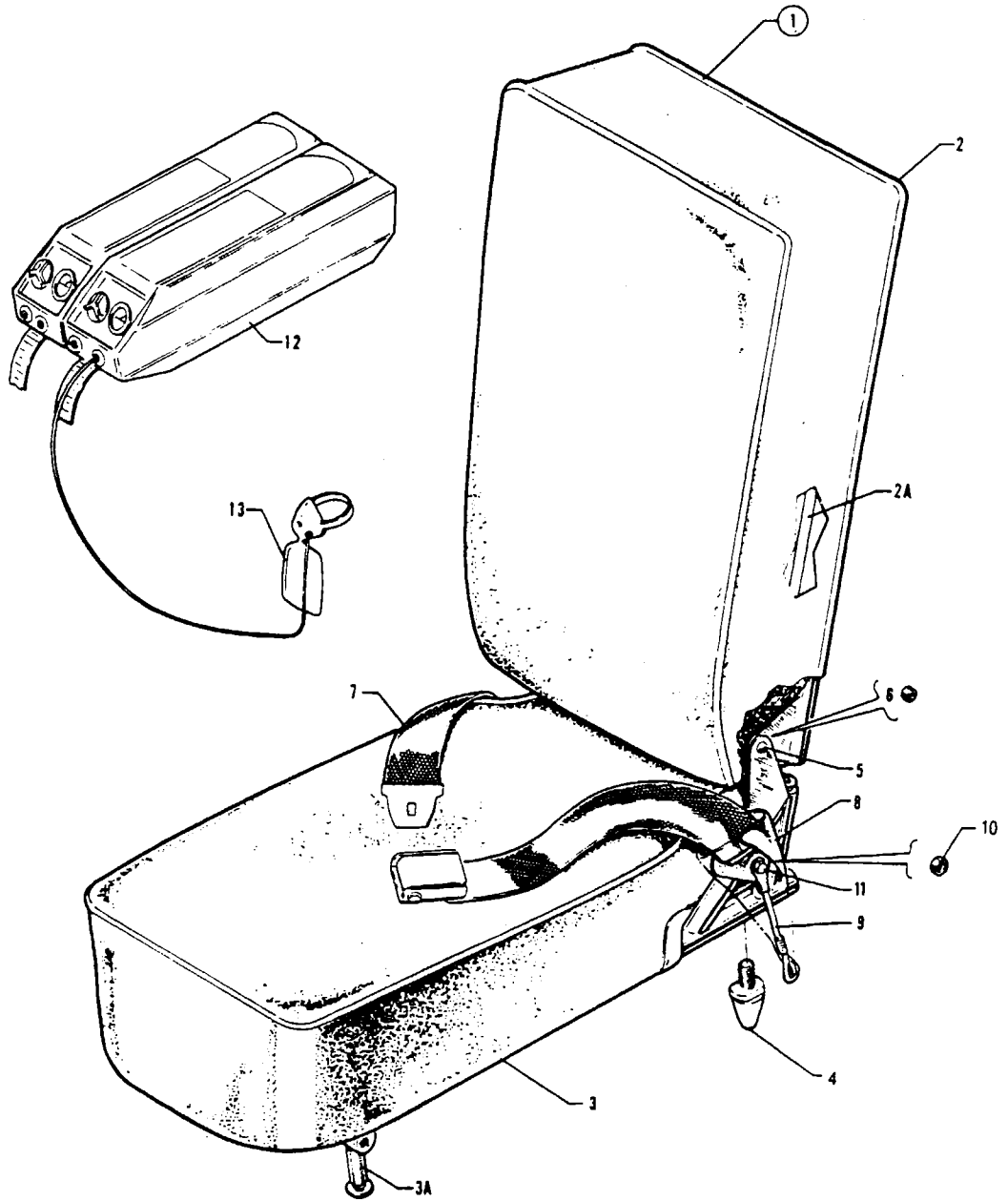


Figure 27 7th Seat Installation

REVISED: AUGUST 1980

1F21

PA-34-200T

PIPER PARTS CATALOG

CODE EXPLANATIONS FOR FIGURE 27

- A - When ordering this part, serial number of aircraft must be supplied. When ordering for serial nos. 34-7570001 to 34-7670393 incl., specify color red, blue/green, gold, black, or green. When ordering for serial nos. 34-7770001 to 34-7970005 incl., specify color red (color code 7326), blue (color code 7327), gold (color code 7328), black, green, navajo sepia, navajo cactus, yellow/dark red, or blue/green. When ordering for serial nos. 34-7970006 and up, specify color red (color code 792), blue (color code 793), gold (color code 794), navajo sepia, or navajo cactus. Also specify trim color black or camel, if applicable, for 1977 and up model aircraft.
- B - When ordering, specify color olivetone, raspberry, or tan for serial nos. 34-7870001 to 34-7970556 incl. Specify color midnight blue (color code 785) for serial numbers 34-7970001 to 34-7970271 incl., or dark blue (color code 796) for serial numbers 34-7970272 and up. Specify color firethorn red, buckskin, or dark cedar for serial nos. 34-8070001 and up.
- W - These parts must be ordered from Service Spares Department, Piper Aircraft, Lock Haven, Penna.

PIPER PARTS CATALOG

Figure and Index Number	Part Number	Code	NOMENCLATURE	No. Req.	SERIAL NUMBERS AFFECTED
27-	69595 37684		DRAWING - 7th Seat Installation DRAWING - Portable Oxygen System		
-1	78108-02	A	SEAT ASSEMBLY	1	34-7570001 to 34-7570054 incl
	78108-09	A	SEAT ASSEMBLY	1	34-7570055 to 34-7770147 incl.
	78108-12	A	SEAT ASSEMBLY	1	34-7770148 and up
	78108-14	B	SEAT ASSEMBLY - (Luxurious)	1	34-7870001 and up
-2	78108-03	A	* CUSHION AND FRAME ASSEMBLY - Back	1	34-7570001 and up
	78108-15	B	* CUSHION AND FRAME ASSEMBLY - Back (luxurious)	1	34-7870001 and up
-2a	69066-00		* * FRAME ASSEMBLY - Seat back	1	
-3	78108-04	A	* CUSHION AND FRAME ASSEMBLY - Bottom	1	34-7570001 to 34-7570054 incl
	78108-07	A	* CUSHION AND FRAME ASSEMBLY - Bottom	1	34-7570055 to 34-7770147 incl
	78108-10	A	* CUSHION AND FRAME ASSEMBLY - Bottom	1	34-7770148 and up
	78108-16	B	* CUSHION AND FRAME ASSEMBLY - Bottom (luxurious)	1	34-7870001 and up
-3a	69067-00		* * FRAME ASSEMBLY - Seat bottom	1	34-7570001 to 34-7570054 incl.
	69067-09		* * FRAME ASSEMBLY - Seat bottom	1	34-7570055 to 34-7770147 incl
	69067-10		* * FRAME ASSEMBLY - Seat bottom	1	34-7770148 and up
-4	68068-00		* * * FOOT - Seat attachment, rear	2	34-7570001 to 34-7570054 incl.
	79436-00		* * * FOOT - Seat attachment, rear	2	34-7570055 to 34-7770147 incl
-5	400 670	W	* BOLT - (AN23-8)	2	
-6	63900-133		* BUSHING	2	
-7	551 391		BELT ASSEMBLY - Safety (PS50039-4-3A)	1	
-8	68022-14		BOOT - Seat belt attachment, black	2	
-9	96908-00		CABLE ASSEMBLY - Seat belt attachment	2	
-10	63900-149		BUSHING - Seat belt attachment	2	
-11	401 187	W	BOLT - (AN5-7A)	2	
	407 566	W	WASHER - (AN960-516)	2	
	404 837	W	NUT - (MS20364-524C)	2	
-12	470 925		KIT - Complete oxygen system (802180-00)	1	
-13	761 652		* SKY MASK WITH MICROPHONE AND CONNECTOR ASSEMBLY - Pilot	1	
	761 653		* SKY MASK AND CONNECTOR ASSEMBLY - Copilot	1	
	761 654		* TWO SKY MASKS WITH DUAL MANIFOLD ASSEMBLY - Passenger (with 5' hose)	1	
	761 655		* TWO SKY MASKS WITH DUAL MANIFOLD ASSEMBLY - Passenger (with 7.5' hose)	1	

When ordering, always specify Part Number, Description and Serial Number of Aircraft

1F24

INTENTIONALLY LEFT BLANK

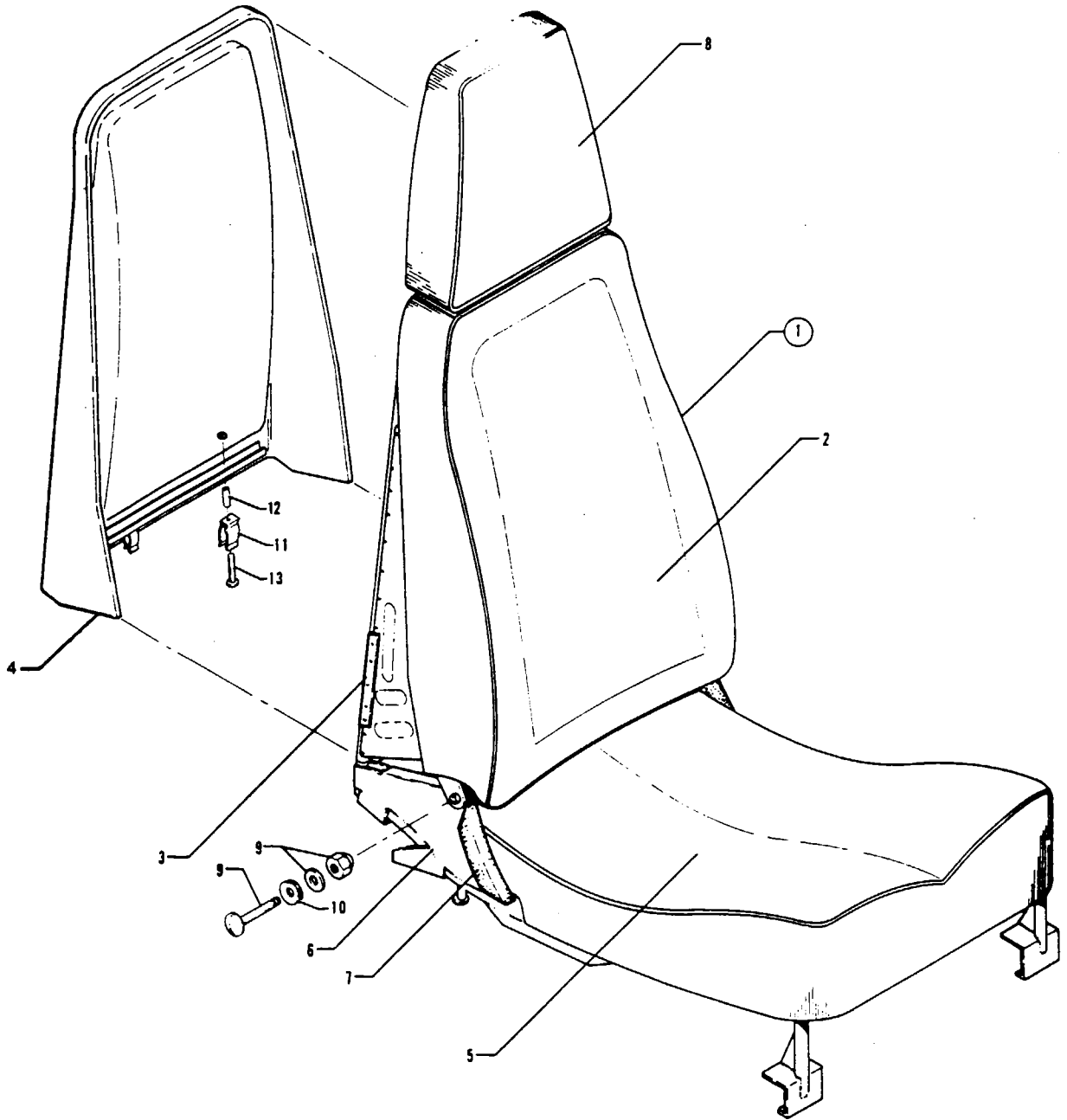


Figure 27A. Aft Facing Seat Assembly - Center
(Serial Nos 34-7770001 and up)

PIPER PARTS CATALOG

CODE EXPLANATIONS FOR FIGURE 27A

- A - When ordering this part, serial number of aircraft must be supplied. When ordering for serial nos. 34-7770001 to 34-7970005 incl., specify color red (color code 7326), blue (color code 7327), gold (color code 7328), black, green, navajo sepia, navajo cactus, yellow/dark red, or blue/green. When ordering for serial nos. 34-7970006 and up, specify color red (color code 792), blue (color code 793), gold (color code 794), navajo sepia, or navajo cactus. Also specify trim color black or camel, if applicable.
- B - When ordering, specify with or without map rack.
- C - When ordering, specify color "bark I" for serial numbers 34-7770001 to 34-7770164 inclusive. Specify color "bark II" or black for serial numbers 34-7770165 and up.
- D - When ordering, specify color olivetone, raspberry, or tan for serial nos. 34-7870001 to 34-7970556 incl. Specify color midnight blue (color code 785) for serial nos. 34-7870001 to 34-7970271 incl., or dark blue (color code 796) for serial nos. 34-7970272 and up. Specify color firethorn red, buckskin, or dark cedar for serial nos. 34-8070001 and up.
- W - These parts must be ordered from Service Spares Department, Piper Aircraft, Lock Haven, Penna.

PIPER PARTS CATALOG

Figure and Index Number	Part Number	Code	NOMENCLATURE	No. Req.	SERIAL NUMBERS AFFECTED
27A-1	37799-02	A,B	SEAT ASSEMBLY - Center, aft facing	2	34-7770001 to 34-7970556 incl.
	37799-16	A,B	SEAT ASSEMBLY - Center, aft facing	2	34-8070001 and up
	37799-10	D	SEAT ASSEMBLY - Center, aft facing (luxurious)	2	34-7870001 to 34-7970556 incl.
	37799-17	D	SEAT ASSEMBLY - Center, aft facing (luxurious)	2	34-8070001 and up
-2	37799-03	A,B	* CUSHION ASSEMBLY - Seat back	1	34-7770001 and up
	37799-11	D	* CUSHION ASSEMBLY - Seat back (luxurious)	1	34-7870001 and up
-3	37796-02		* * FRAME ASSEMBLY - Seat back	1	
	37823-02	C	* * COVER ASSEMBLY - Seat back (without map rack)	1	34-7770001 and up
-4	37823-07	D	* * COVER ASSEMBLY - Seat back (without map rack) (luxurious)	1	34-7870001 and up
	37840-02	C	* * COVER ASSEMBLY - Seat back (with map rack)	1	34-7770001 and up
-5	37799-04	A	* CUSHION ASSEMBLY - Seat bottom	1	34-7770001 and up
	37799-12	D	* CUSHION ASSEMBLY - Seat bottom (luxurious)	1	34-7870001 and up
-6	37797-02		* * FRAME ASSEMBLY - Seat bottom	1	
	37824-02	C	* * COVER - Seat bottom	2	
-7	37799-05	A	* HEADREST ASSEMBLY - Seat	1	34-7770001 to 34-7970556 incl.
	36938-02	A	* HEADREST ASSEMBLY - Seat	1	34-8070001 and up
-8	37799-13	D	* HEADREST ASSEMBLY - Seat	1	34-7870001 to 34-7970556 incl.
	36938-03	D	* HEADREST ASSEMBLY - Seat	1	34-8070001 and up
-9	400 916	W	* SCREW - (AN24-26A)	2	
	407 565	W	* WASHER - (AN960-416)	4	
-10	477 708		* NUT - (26C-048)	2	
	408 834		* WASHER - (AM251215)	2	
-11	554 753		* CLIP - (127002)	2	34-7770001 to 34-7870492 incl.
	95061-153		* SPACER - Clip	2	34-7770001 to 34-7870492 incl.
-12	411 537		* SCREW - (MS35207-268)	2	34-7770001 to 34-7870492 incl.
	404 887	W	* NUT - (MS20365-1032C)	2	34-7770001 to 34-7870492 incl.

When ordering, always specify Part Number, Description and Serial Number of Aircraft

PIPER PARTS CATALOG

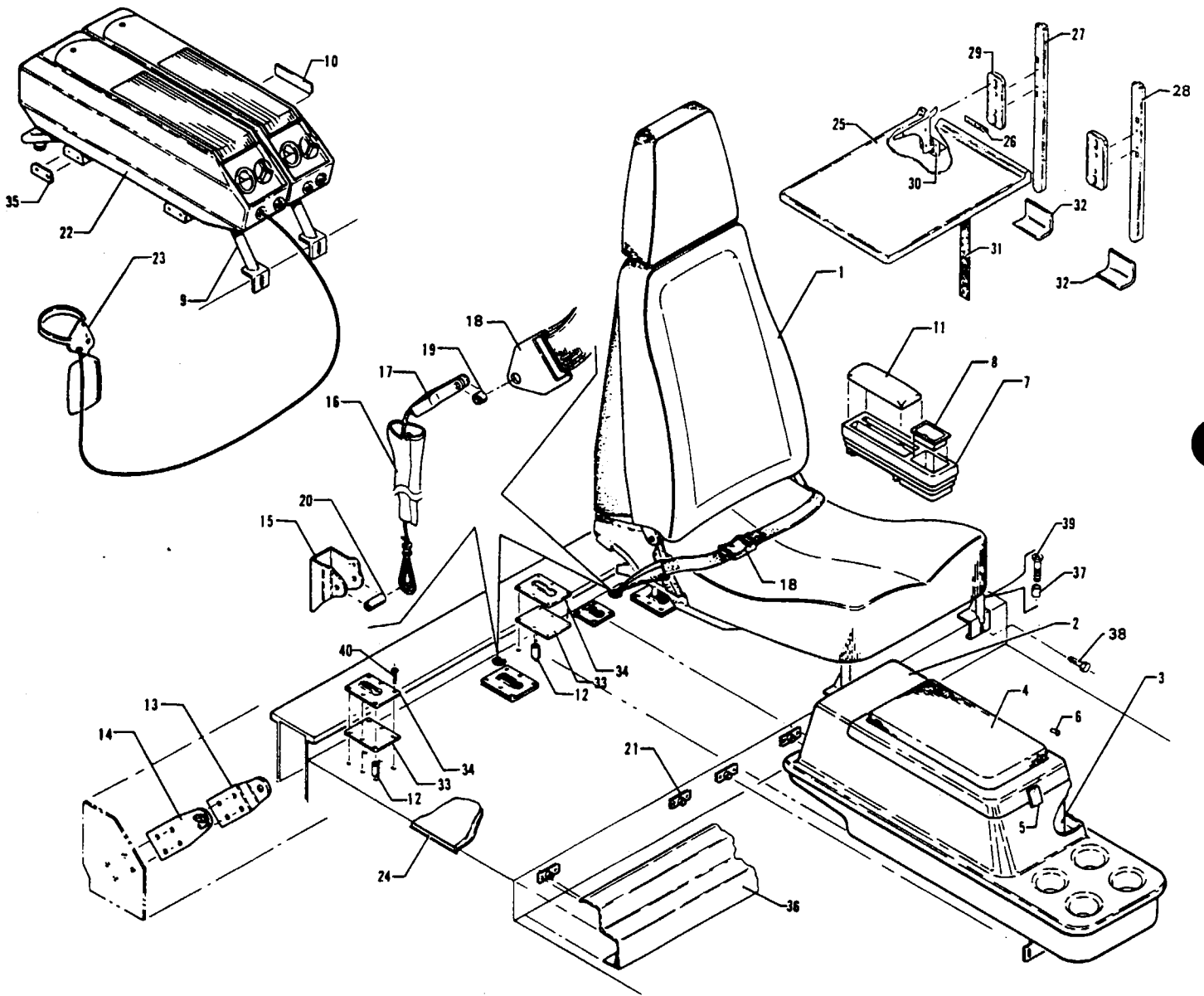


Figure 27B Club Seating Installation
(Serial Nos 34-7770001 and up)

PIPER PARTS CATALOG

CODE EXPLANATIONS FOR FIGURE 27B

- A - See Figure 27A for component parts
- B - When ordering this part, serial numbers of aircraft must be supplied. When ordering for serial nos 34-7770001 to 34-7970005 incl., specify color red (color code 7326), blue (color code 7327), gold (color code 7328), black, green, navajo sepia, navajo cactus, yellow/dark red, or blue/green. When ordering for serial nos 34-7970006 and up, specify color red (color code 792), blue (color code 793), gold (color code 794), navajo sepia, or navajo cactus. Also specify trim color black or camel, if applicable, and with or without map rack.
- C - When ordering for serial nos 34-7770001 to 34-7770164 incl., specify color "bark I". When ordering for serial nos 34-7770165 to 34-7770441 incl., specify color "bark II" or black. When ordering for serial nos 34-7870001 and up, specify color "bark II and black" or black.
- D - When ordering, specify color olivetone, raspberry, or tan for serial nos 34-7870001 to 34-7970556 incl. Specify color midnight blue (color code 785) for serial nos 34-7870001 to 34-7970271 incl., or dark blue (color code 796) for serial nos 34-7970272 and up. Specify color firethorn red, buckskin, or dark cedar for serial nos 34-8070001 and up.
- E - When ordering, specify color "bark II" or black.
- F - Used if center console is not installed.
- G - Used if center console is installed.

PIPER PARTS CATALOG

Figure and Index Number	Part Number	Code	NOMENCLATURE	No. Req.	SERIAL NUMBERS AFFECTED
27B-	37825		DRAWING - Club Seats Installation		
-1	37799-02	A,B	SEAT ASSEMBLY - Center, aft facing	2	34-7870001 to 34-7970556 incl.
	37799-16	A,B	SEAT ASSEMBLY - Center, aft facing	2	34-8070001 and up
	37799-10	A,D	SEAT ASSEMBLY - Center, aft facing (luxurious)	2	34-7870001 to 34-7970556 incl.
	37799-17	A,D	SEAT ASSEMBLY - Center, aft facing (luxurious)	2	34-8070001 and up
-2	79750-00	C	CONSOLE ASSEMBLY	1	
-3	758 097		* ICE CHEST - Console (3076-1)	1	
-4	579 420		* ARM PAD ASSEMBLY - Console (camel)	1	34-7770001 and up
	579 421		* ARM PAD ASSEMBLY - Console (olivetone)	1	34-7870001 to 34-7970556 incl.
	579 422		* ARM PAD ASSEMBLY - Console (midnight blue)	1	34-7870001 to 34-7970271 incl.
	551 959		* ARM PAD ASSEMBLY - Console (dark blue, fabric)	1	34-7970272 and up
	552 518		* ARM PAD ASSEMBLY - Console (dark blue, vinyl)	1	34-8170001 and up
	579 423		* ARM PAD ASSEMBLY - Console (raspberry)	1	34-7870001 to 34-7970556 incl.
	579 424		* ARM PAD ASSEMBLY - Console (tan)	1	34-7870001 to 34-7970556 incl.
	551 957		* ARM PAD ASSEMBLY - Console (firethorn red, fabric)	1	34-8070001 and up
	552 517		* ARM PAD ASSEMBLY - Console (firethorn red, vinyl)	1	34-8170001 and up
	551 958		* ARM PAD ASSEMBLY - Console (buckskin)	1	34-8070001 and up
	552 516		* ARM PAD ASSEMBLY - Console (dark cedar)	1	34-8170001 and up
-5	554 132		* LATCH ASSEMBLY - (07-10-201-11)	1	
-6	519 900		* SCREW - (MS51862-4C)	4	
-7	66710-17		HOUSING ASSEMBLY - Armrest, left	1	
	66710-16		HOUSING ASSEMBLY - Armrest, right	1	
-8	763 003		* ASH TRAY - (S-25-AR-C)	1	
-9	79770-11		FRAME ASSEMBLY - Oxygen bottle support	1	
-10	35669-13		* PLACARD - Oxygen bottle installation	1	
-11	580 731		PAD - Armrest, camel	2	
	579 507		PAD - Armrest, olivetone	2	34-7870001 to 34-7970556 incl.
	579 508		PAD - Armrest, midnight blue	2	34-7870001 to 34-7970556 incl.
	579 474		PAD - Armrest, dark blue (fabric)	2	34-7970001 and up
	579 228		PAD - Armrest, dark blue (vinyl)	2	34-8170001 and up
	579 509		PAD - Armrest, black	2	34-7870001 to 34-7970556 incl.
	579 510		PAD - Armrest, tan	2	34-7870001 to 34-7970556 incl.
	579 472		PAD - Armrest, firethorn red (fabric)	2	34-7970001 and up
	579 227		PAD - Armrest, firethorn red (vinyl)	2	34-8170001 and up
	579 473		PAD - Armrest, buckskin	2	34-7970001 and up
	579 226		PAD - Armrest, dark cedar	2	34-8170001 and up
-12	95061-09		SPACER	32	
-13	37834-02		LINK - Seat belt attachment	2	
-14	37835-02		LINK - Seat belt attachment	2	
-15	37839-02		FITTING - Seat belt attachment	2	
-16	68022-14		BOOT - Seat belt attachment, black	2	34-7770001 and up
	67970-02	E	BOOT - Seat belt attachment (luxurious)	2	34-7870001 and up
-17	96908-00		CABLE ASSEMBLY - Seat belt	2	
-18	551 391		BELT ASSEMBLY - Safety, center (PS50039-4-3A) black	2	
-19	63900-149		BUSHING	2	
-20	95061-157		BUSHING	2	
-21	37850-02		PLATE ASSEMBLY - Seats	6	
-22	470 959		KIT - Complete oxygen system (802180-01)	1	
-23	761 652		* SKY MASK WITH MICROPHONE AND CONNECTOR ASSEMBLY - Pilot	1	
	761 653		* SKY MASK AND CONNECTOR ASSEMBLY - Copilot	1	
	761 654		* TWO SKY MASKS WITH DUAL MANIFOLD ASSEMBLY - Passenger (with 5' hose)	1	
	761 655		* TWO SKY MASKS WITH DUAL MANIFOLD ASSEMBLY - Passenger (with 7.5' hose)	1	
-24	37829-03		PANEL ASSEMBLY - Floor center	1	
-25	36800-02		TABLE ASSEMBLY	1	34-7970001 and up

When ordering, always specify Part Number, Description and Serial Number of Aircraft

PIPER PARTS CATALOG

Figure and Index Number	Part Number	Code	NOMENCLATURE	No. Req.	SERIAL NUMBERS AFFECTED
27B-26	35669-104		* PLACARD - Table stowage	1	34-7970001 and up
-27	36801-02		BRACKET ASSEMBLY - Table mounting, forward	1	34-7970001 and up
-28	36801-03		BRACKET ASSEMBLY - Table mounting, aft	1	34-7970001 and up
-29	36803-02		ESCUTCHEON - Table mount	2	34-7970001 and up
-30	36802-02		CLIP COVER - Table	2	34-7970001 and up
-31	65440-10		STRAP ASSEMBLY - Table	1	34-7970001 and up
-32	37825-07		ANGLE - Table mounting bracket	1	34-7970001 and up
-33	99140-00		PLATE - Seat attachment	6	
-34	99141-03		PLATE - Seat attachment	6	
-35	79778-02	E	CAP - Oxygen bottle support	4	
-36	68613-800	F	STRIP - Trim	1	
	68613-801	G	STRIP - Trim	1	
-37	95061-08		SPACER	6	
-38	400 009	W	BOLT - (AN4-14A)	6	
	407 585	W	WASHER - (AN960-416L)	6	
-39	414 772	W	SCREW - (MS24693-S55)	6	
	494 101	W	WASHER - (PS10092-1-2C)	6	
-40	415 540		SCREW - (MS35206-250)	36	
	407 563	W	WASHER - (AN960-8)	36	
	404 910	W	NUT - (MS20365-832C)	36	

When ordering, always specify Part Number, Description and Serial Number of Aircraft

PIPER PARTS CATALOG

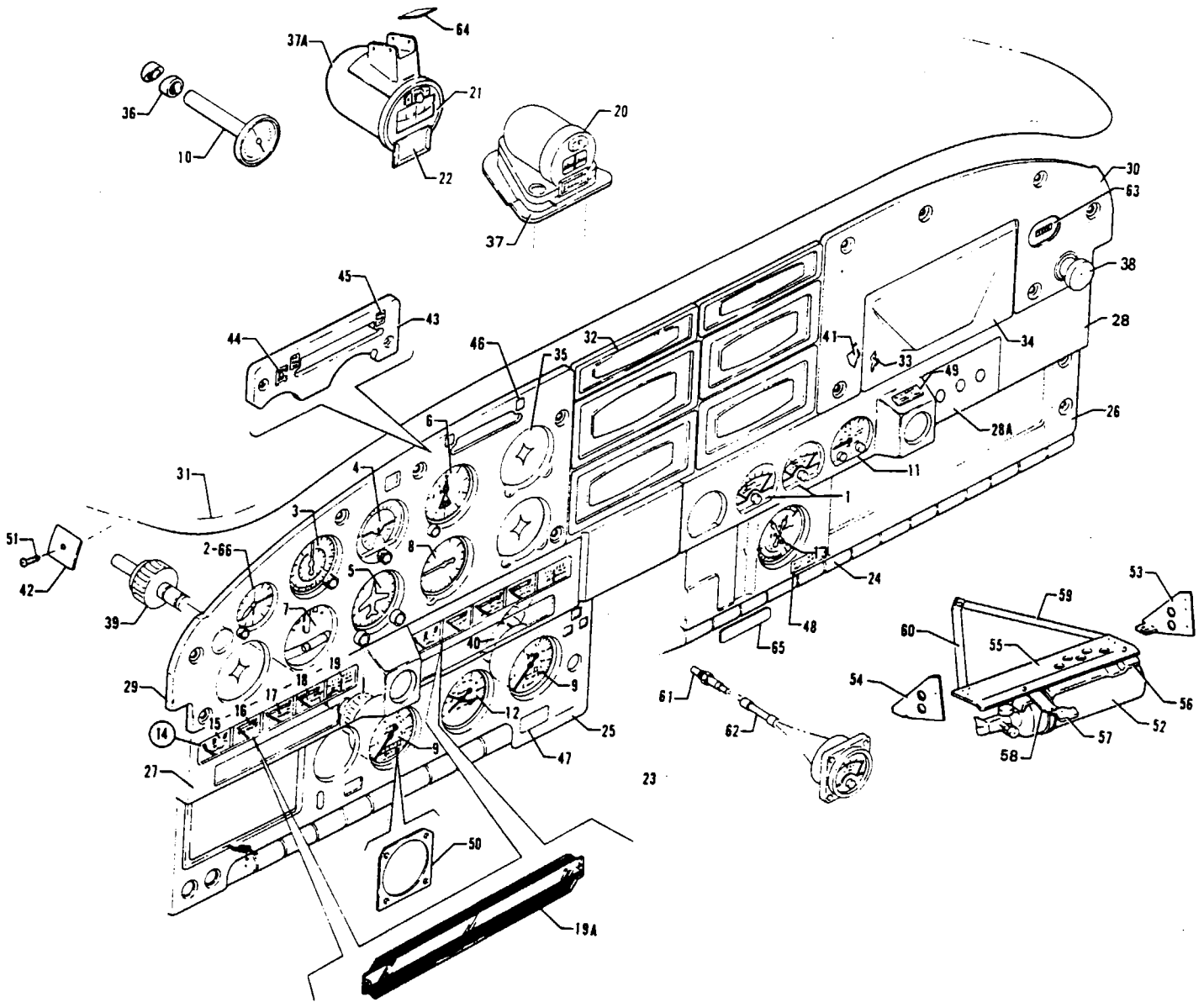


Figure 28 Instrument Panel Installation

PIPER PARTS CATALOG

CODE EXPLANATIONS FOR FIGURE 28

- A - When ordering, specify color red, blue/green, gold, black, green, camel or mocha.
- B - When ordering, specify color red, blue/green, tan, black, avocado or bark. Specify color "bark I" for serial numbers 34-7770001 to 34-7770164 inclusive. Specify color "bark II" for serial numbers 34-7770165 and up.
- C - When ordering, specify color red, blue, tan, black, gray, green or bark. Specify color "bark I" for serial numbers 34-7770001 to 34-7770164 inclusive. Specify color "bark II" for serial numbers 34-7770165 and up.
- D - Used if dual instruments are installed.
- E - Used if NSD-360 is installed.
- F - Also used on aircraft with serial numbers 34-7570001 to 34-7670308 inclusive if Auxiliary Fuel System Modification Kit 760 926 has been installed per Service Letter 754.
- G - Used if optional center fuel cell is not installed.
- H - Used if optional center fuel cell is installed.
- J - Used on aircraft with serial numbers 34-7570001 to 34-7570337 inclusive if Magnetic Compass Relocation Kit 760 795 has been installed per Service Letter 761.
- K - Used on airplanes with serial numbers 34-7570001 to 34-7570327 inclusive if Avionics Bus Relay By-Pass Modification Kit 761 133 has been installed per Service Bulletin 553.
- L - Used when radios are installed in place of glove compartment box.
- M - Used if King KFC-200 Flight Control System is installed.
- N - Used if air conditioning is installed.
- O - See Figure 81 if AutoControl IIIB is installed, or Figure 81A if AltiMatic IIIC is installed.
- P - Instrument not approved for IFR.
- Q - When ordering, specify color "bark II" or black.
- R - Includes cable assembly.
- S - Do not mix tachometer P/N 37629-02 with tachometer P/N 87379-02 on the same aircraft. Use either (2) tachometers P/N 37629-02 or (2) tachometers P/N 87379-02.
- W - These parts must be ordered from Service Spares Department, Piper Aircraft, Lock Haven, Penna

PIPER PARTS CATALOG

Figure and Index Number	Part Number	Code	NOMENCLATURE	No. Req.	SERIAL NUMBERS AFFECTED
28-	37237 37226 35680		DRAWING - Instrument Installation, Flight DRAWING - Instrument Installation, Engine DRAWING - Fire Extinguisher Installation		34-7970002 and up
-1	37578-02		INDICATOR - Turbine inlet temperature	2	
-2	99478-00 548 679	W	INSTRUMENT - Clock INSTRUMENT - Clock, electric (CA7287)	1 1	
-3	548 032 548 033 548 124 548 031 548 125		INSTRUMENT - Airspeed (mph and knots) INSTRUMENT - Airspeed (knots) INSTRUMENT - Airspeed (knots) INSTRUMENT - True airspeed (mph and knots) INSTRUMENT - True airspeed (knots)	2 2 2 2 2	34-7570001 to 34-7670393 incl 34-7570001 to 34-7670393 incl 34-7770001 and up 34-7570001 to 34-7670393 incl 34-7770001 and up
-4	755 428 99002-06 755 427	W.O O W.O	INSTRUMENT - Gyro horizon INSTRUMENT - Gyro horizon (with adjusting knob covered) INSTRUMENT - Directional gyro	2 2 2	
-5	450 611	W	INSTRUMENT - Altimeter, standard (11343-00)	1	34-7570001 to 34-7670393 incl
-6	548 153 550 489 550 488 548 331 548 039 548 040 548 407	P W W W R	INSTRUMENT - Altimeter, standard (scale in inches of mercury to 20,000 feet) INSTRUMENT - Altimeter, sensitive (scale in inches of mercury to 35,000 feet) INSTRUMENT - Altimeter, sensitive (scale in millibars to 35,000 feet) INSTRUMENT - Altimeter, sensitive (scale in inches of mercury and millibars to 35,000 feet) INSTRUMENT - Altimeter, encoding (scale in inches of mercury to 35,000 feet) INSTRUMENT - Altimeter, encoding (scale in millibars to 35,000 feet) INSTRUMENT - Altimeter, encoding (scale in inches of mercury and millibars to 35,000 feet)	1 2 2 2 2 2 2	34-7770001 and up
-7	550 483 548 190 548 517	 R	INSTRUMENT - Turn and bank (1234T100-5) electric INSTRUMENT - Turn coordinator (1394T100) electric INSTRUMENT - Turn coordinator (PS50030-13-2) (with internal lighting)	1 1 1	34-8070178 and up
-8	99010-02		INSTRUMENT - Rate of climb	2	
-9	37629-00 37629-02 87379-02	 S S	INSTRUMENT - Tachometer (Stewart-Warner) INSTRUMENT - Tachometer (Stewart-Warner) INSTRUMENT - Tachometer (Rochester)	2 2 2	34-7570001 to 34-7870492 incl 34-7970001 and up 34-7970001 and up
-10	99479-02 99479-03		GAUGE - Air temperature GAUGE - Air temperature, luminous	1 1	
-11	548 130		INDICATOR - Gyro pressure	1	
-12	37554-00		GAUGE ASSEMBLY - Manifold pressure	1	
-13	37341-00		GAUGE ASSEMBLY - Dual fuel flow	1	
-14	96898-04 96898-05	G H	CLUSTER ASSEMBLY - Instrument CLUSTER ASSEMBLY - Instrument	2 2	34-7570001, 34-7670114 and up
-15	37337-00		* GAUGE - Ammeter	1	
-16	35798-02		* GAUGE - Cylinder head temperature	1	
-17	37338-00		* GAUGE - Oil temperature	1	
-18	37340-00		* GAUGE - Oil pressure	1	
-19	38224-00 38224-02	G H	* GAUGE - Fuel * GAUGE - Fuel	1 1	34-7570001, 34-7670114 and up
-19a	79381-00		* LENS - Cluster assembly	1	
-20	550 805		INSTRUMENT - Compass (C-2400-L4P-B)	1	34-7570001 to 34-7570337 incl
-21	67462-06	J	INSTRUMENT - Compass	1	34-7670001 and up
-22	79650-02	J	* HOLDER - Compass card	1	34-7670001 and up
-23	96838-00	A	CHANNEL ASSEMBLY - Shin guard, left	1	
-24	96835-00	A	CHANNEL ASSEMBLY - Shin guard, right	1	

When ordering, always specify Part Number, Description and Serial Number of Aircraft

PIPER PARTS CATALOG

Figure and Index Number	Part Number	Code	NOMENCLATURE	No. Req.	SERIAL NUMBERS AFFECTED
28-25	37369-00	B	COVER ASSEMBLY - Lower, left	1	
	36847-02	B.M	COVER ASSEMBLY - Lower, left	1	34-7970001 and up
-26	37371-00	B	COVER ASSEMBLY - Lower, right	1	
-27	37370-00		COVER - Instrument panel, left, black	1	34-7570001 to 34-8170095 incl
	37370-06		COVER - Instrument panel, left, black	1	34-8170096 and up
-28	37370-02		COVER ASSEMBLY - Instrument panel, right	1	
	37370-05	N	COVER ASSEMBLY - Instrument panel, right	1	34-7970001 and up
-28a	35669-98	N	* PLACARD - Air conditioning control	1	34-7970001 and up
-29	69816-03	C	COVER - Instrument panel, upper left	1	
	79571-03	C.E	COVER - Instrument panel, upper left	1	
	36848-03	M.Q	COVER - Instrument panel, upper left	1	34-7970001 and up
-30	69659-00	C	COVER - Instrument panel, upper right	1	
	37372-00	C.D	COVER - Instrument panel, upper right	1	
	76498-02	C.L	COVER - Instrument panel, upper right	1	34-7870001 and up
-31	78109-04		SHIELD ASSEMBLY - Glare, black	1	
-32	99059-06	C	COVER ASSEMBLY - Radio opening, 6 56 x 2 90	AR	
	99060-06	C	COVER ASSEMBLY - Radio opening, 6 56 x 3 25	AR	
	99061-06	C	COVER ASSEMBLY - Radio opening, 6 56 x 3 56	AR	
	99062-06	C	COVER ASSEMBLY - Radio opening, 6 50 x 1 78	AR	
	99064-06	C	COVER ASSEMBLY - Radio opening, 6 50 x 3 80	AR	
	99066-06	C	COVER ASSEMBLY - Radio opening, 6 50 x 1 25	AR	
	69931-02	C	COVER ASSEMBLY - Radio opening, 6 50 x 1 50	AR	
	79670-02	C	COVER ASSEMBLY - Radio opening, 6 56 x 2 66	AR	
	79671-02	C	COVER ASSEMBLY - Radio opening, 6 56 x 2 30	AR	
	87262-02	C	COVER ASSEMBLY - Radio opening, 6 50 x 4 36	AR	
	79525-00	C	COVER ASSEMBLY - Radio opening, 6 50 x 1 04	AR	
	69518-06	C	COVER ASSEMBLY - Radio opening, 6 50 x 60	AR	
-33	69329-00		DOOR - Glove box	1	
-34	69330-04	C	COVER - Glove box	1	
-35	67431-00		PLATE ASSEMBLY - Cover, instrument panel (3 19 x 3 19)	7	
	67431-04		PLATE ASSEMBLY - Cover, instrument panel (2 62 x 2 62)	1	
-36	79314-00		SPACER - Air temperature gauge, inner	1	
	79314-02		SPACER - Air temperature gauge, outer	1	
-37	69676-00		SUPPORT ASSEMBLY - Compass	1	34-7570001 to 34-7570337 incl
-37a	79600-00	J	HOUSING ASSEMBLY - Compass	1	34-7670001 and up
-38	472 969		LIGHTER - Cigar (204575)	1	
-39	486 534		CABLE ASSEMBLY - Tachometer left (PS50044-23)	1	
	486 533		CABLE ASSEMBLY - Tachometer right (PS50044-22)	1	
-40	451 910		ADAPTER - Tachometer drive reverser	1	
-41	69328-00		BOX - Glove	1	
-42	79125-00		CAP - Trim, left	1	
	79125-01		CAP - Trim, right	1	
-43	37772-02	F	COVER ASSEMBLY - Annunciator panel	1	
-44	69669-39		* PLACARD - Press test	1	
-45	69669-101		* PLACARD - Auxiliary fuel ON	2	
-46	69669-101		PLACARD - Auxiliary fuel ON	2	
-47	69669-119		PLACARD - Emergency gear extension	1	34-7570001 to 34-7670393 incl
	69669-174		PLACARD - Emergency gear extension	1	34-7770001 and up
-48	69669-186		PLACARD - Cruise fuel flow	1	34-7570001 to 34-7970556 incl
-49	35669-15	K	PLACARD - Radio bus override	1	
-50	99214-00		PLATE - Support	AR	
-51	515 710	W	SCREW - (PS10084-44-2)	2	
	407 562	W	WASHER - (AN960-6)	2	
	404 909	W	NUT - (MS20365-632C)	2	
-52	459 849		FIRE EXTINGUISHER - (HA1014-01)	1	34-7970002 and up
-53	35680-05		BRACKET ASSEMBLY - Fire extinguisher	1	34-7970002 and up

When ordering, always specify Part Number, Description and Serial Number of Aircraft

PIPER PARTS CATALOG

Figure and Index Number	Part Number	Code	NOMENCLATURE	No. Req.	SERIAL NUMBERS AFFECTED
28-54	35680-06		BRACKET ASSEMBLY - Fire extinguisher	1	34-7970002 and up
-55	35680-26		BRACKET ASSEMBLY - Fire extinguisher	1	34-7970002 and up
-56	35680-12		BRACKET ASSEMBLY - Fire extinguisher	1	34-7970002 and up
-57	35680-11		* TAB ASSEMBLY - Fire extinguisher	1	34-7970002 and up
-58	35680-22		* BRACKET - Fire extinguisher	1	34-7970002 and up
-59	35680-09		BRACE - Fire extinguisher support	1	34-7970002 and up
-60	35680-10		BRACE - Fire extinguisher support	1	34-7970002 and up
-61	37578-03		PROBE - Exhaust gas temperature	2	
-62	37578-04		LEAD - Exhaust gas temperature	2	
-63	36660-02		INDICATOR - Engine hour meter	1	34-7670001 and up
-64	87369-27		PLACARD - Caution	1	34-7970488 and up
-65	35669-138		PLACARD - Emergency bus switch	1	34-8070102 and up
-66	67431-04		PLATE ASSEMBLY	1	

When ordering, always specify Part Number, Description and Serial Number of Aircraft

PIPER PARTS CATALOG

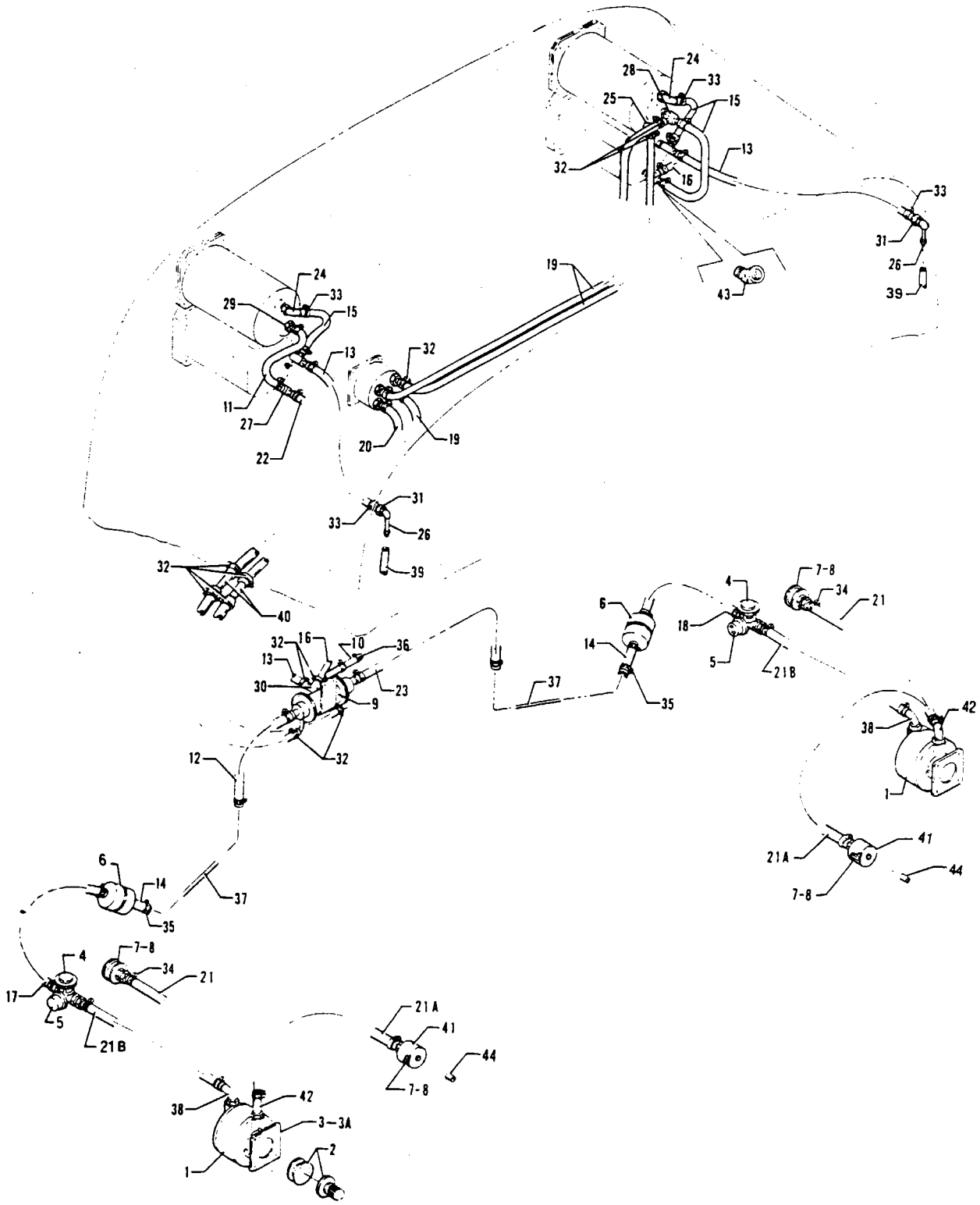


Figure 29 Gyro Pressure System Installation

REVISED MARCH 1980

PA-34-200T

1G13

Island Enterprises

PIPER PARTS CATALOG

CODE EXPLANATIONS FOR FIGURE 29

- A - See Figure 31 if Pneumatic De-Icer System is installed
- B - Used with Vacuum Pump P/N 26749-07 (Airborne 211CC) and P/N 26749-08 (Airborne 212CW) only
- C - Used with Vacuum Pump P/N 36535-02 (Edo-Aire IU128-002) only
- D - Used if Aeritalia directional gyro is installed
- E - If Pneumatic Pump Inlet Filter Relocation Kit 763 919 has been installed per Service Letter 889, order part for serial nos 34-8070038 and up
- F - Also used on serial nos 34-7570001 to 34-7870492 incl if Pneumatic Pump Inlet Filter Relocation has been installed per Service Letter 889
- W - These parts must be ordered from Service Spares Department, Piper Aircraft, Lock Haven, Penna

PIPER PARTS CATALOG

Figure and Index Number	Part Number	Code	NOMENCLATURE	No. Req.	SERIAL NUMBERS AFFECTED
29-	37114		DRAWING - Gyro Pressure System Installation		
-1	26749-07	A.W	PUMP - Gyro pressure, left (Airborne 211CC)	1	
	26749-08	A.W	PUMP - Gyro pressure, right (Airborne 212CW)	1	
	36535-02	A	PUMP - Gyro pressure (Edo-Aire IU128-002)	2	
-2	753 910	W.B	* COUPLING ASSEMBLY KIT - Vacuum pump drive (No 350)	1	
-3	751 859	W.B	* * GASKET - Pump mounting (B3-1-2)	1	
-3a	462 023	C.W	GASKET - Vacuum pump mounting (AN4045-1)	1	
-4	492 248	A	VALVE - Pressure regulator (2H30-16)	2	
-5	757 793	A	* SWITCH - (F7-7-12)	1	
-6	460 866	W	FILTER - Inline (1J4-6)	2	
-7	560 688	E	FILTER ASSEMBLY - (1J1-2)	2	34-7570001 to 34-7870492 incl
	560 881		FILTER ASSEMBLY - (1J2-2)	2	34-7970001 to 34-8070037 incl
	560 911		FILTER ASSEMBLY - (1J2-6)	2	34-8070038 and up
-8	751 815	W	FILTER - Air (B3-5-1)	1	
-9	492 247		CHECK VALVE AND MANIFOLD ASSEMBLY - (1H24-11)	1	
-10	96268-03		PLUG ASSEMBLY - De-icing port	1	
-11	63913-07		HOSE - Flexible	1	
-12	63913-134		HOSE - Flexible	1	
-13	63913-58		HOSE - Flexible	2	
-14	63913-124		HOSE - Flexible	2	
-15	63913-07		HOSE - Flexible	3	
-16	63913-127		HOSE - Flexible	1	
-17	63913-42		HOSE - Flexible	1	
-18	63913-128		HOSE - Flexible	1	34-7570001 to 34-7870492 incl
	63913-171		HOSE - Flexible	1	34-7970001 and up
-19	63913-87		HOSE - Flexible	3	
-20	63913-88		HOSE - Flexible	1	
-21	63913-119		HOSE - Flexible	2	34-7570001 to 34-7870492 incl
-21a	63913-158		HOSE - Flexible	2	34-7970001 and up
-21b	63913-119		HOSE - Flexible	2	34-7570001 to 34-7870492 incl
	63913-170		HOSE - Flexible	2	34-7970001 and up
-22	63913-58		HOSE - Flexible	1	
-23	63913-135		HOSE - Flexible	1	
-24	451 939		ELBOW - (1K10-4-6)	2	
-25	451 881		ELBOW - (1K10-2-4)	1	
-26	558 851		ELBOW - (AN848-6D)	2	
-27	460 585		FITTING - (1K31-4-6-6)	4	
-28	460 836		FITTING - (1K31-4-6-4)	1	
-29	451 939		ADAPTER - (1K10-4-6)	1	
-30	558 839		ELBOW - (1K1-6-6)	1	
	558 453		TEE - (1K31-6-6) with dual instrumentation	1	
-31	477 620	W	NUT - (AN924-6D)	2	
-32	554 861	W	CLAMP - (SAE TY F-4)	12	
-33	554 888	W	CLAMP - (SAE TY F-6)	16	
-34	554 756	W	CLAMP - (SAE TY F-12)	8	
-35	554 659	W	CLAMP - (SAE TY F-8)	10	
-36	454 921	W	CLAMP - (SAE TY F-10)	1	
-37	37343-29		TUBE ASSEMBLY - Pressure system, left	1	
	37343-30		TUBE ASSEMBLY - Pressure system, right	1	
-38	558 926	A.W	ELBOW - (1K1-6-12)	2	
-39	63904-86		HOSE	2	
-40	67700-189		TUBE	2	

When ordering, always specify Part Number, Description and Serial Number of Aircraft

PIPER PARTS CATALOG

Figure and Index Number	Part Number	Code	NOMENCLATURE	No. Req.	SERIAL NUMBERS AFFECTED
29-41	36905-02		COVER - Filter	2	34-7970001 to 34-8070037 incl
	36636-02	F	COVER - Filter	2	34-8070038 and up
-42	558 926	A,B,W	ELBOW - (1K1-6-12)	2	
	36629-02	A,C	ELBOW - Special	2	
-43	458 840	D	ELBOW - (AN915-2D), right	1	
-44	65003-55	F	SPACER - Filter	2	34-8070038 and up

When ordering, always specify Part Number, Description and Serial Number of Aircraft

PIPER PARTS CATALOG

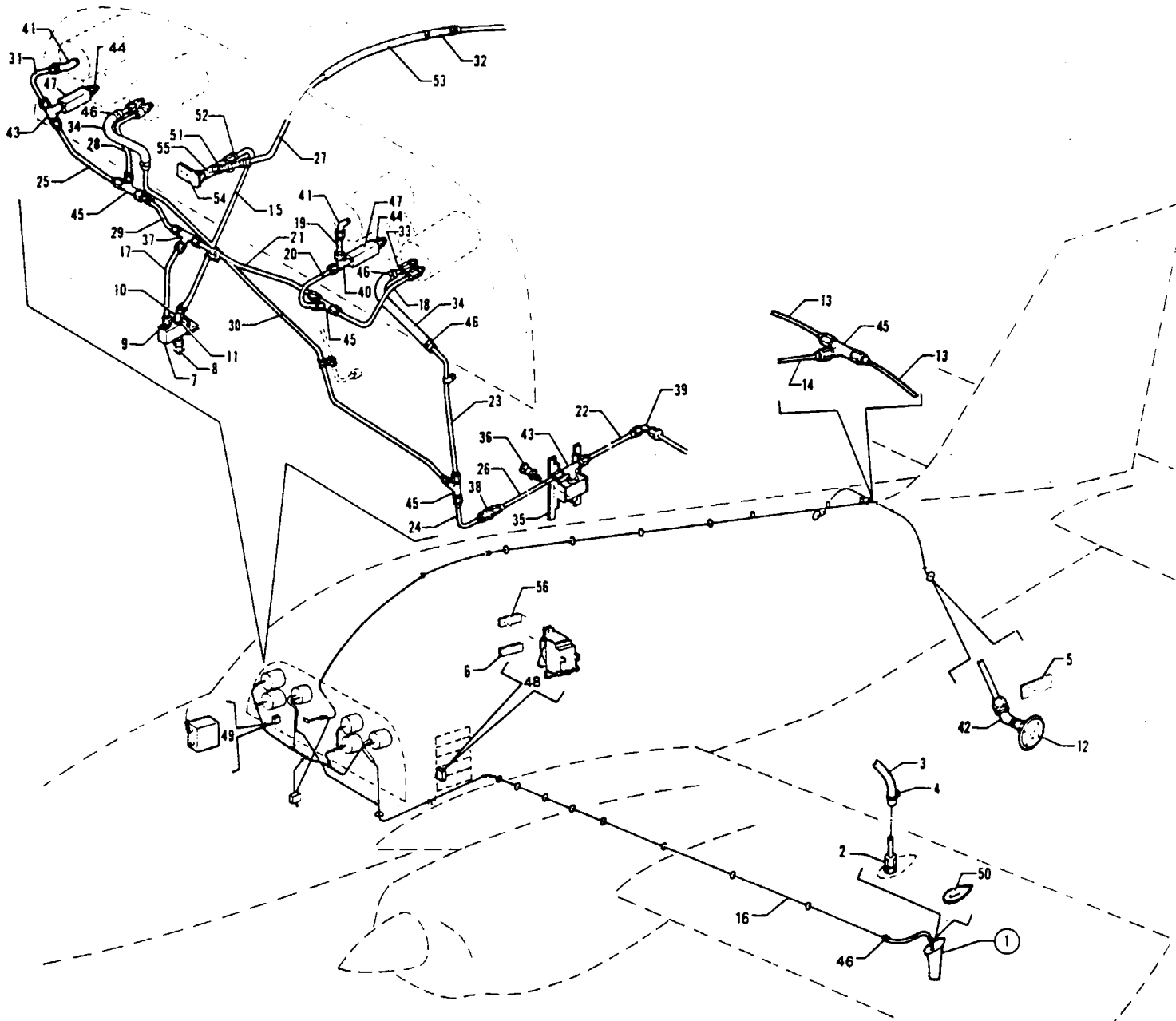


Figure 30 Pitot Static System Installation
(Serial Nos 34-7570001 to 34-7670136 inclusive)

REVISED: APRIL 1981

1G17

PA-34-200T

Island Enterprises

PIPER PARTS CATALOG

CODE EXPLANATIONS FOR FIGURE 30

- A - Used if Single Instrument System is installed.
- B - Used if Dual Instrument System is installed.
- C - Used if rate of climb instrument is installed.
- D - Used if rate of climb instrument is not installed.
- E - Used if encoding altimeter is installed.
- W - These parts must be ordered from Service Spares Department, Piper Aircraft, Lock Haven, Penna.

PIPER PARTS CATALOG

Figure and Index Number	Part Number	Code	NOMENCLATURE	No. Req.	SERIAL NUMBERS AFFECTED
30-	37047		DRAWING - Pitot Static System Installation		
-1	96393-02		HEAD ASSEMBLY - Pitot (unheated)	1	
	96392-02		HEAD ASSEMBLY - Pitot (heated)	1	
-2	556 105		* CONNECTOR - (1068 x 4)	1	
-3	63913-34		* HOSE - Pitot air	1	
-4	554 861	W	* CLAMP - (SAE TY F-4)	1	
-5	87336-02		PLACARD - Static vents	2	
-6	69669-156		PLACARD - Ground operation	1	
-7	96846-00		VALVE ASSEMBLY - Manifold pitot static	1	
-8	492 100	W	* VALVE ASSEMBLY - Alternate static air (CCA-7450)	1	
-9	476 647	W	* NIPPLE - (AN816-3D)	1	
-10	458 888	W	* ELBOW - (MS20823-3D)	1	
-11	477 677	W	* NUT - 1/8" Tru-seal fitting	1	
-12	78039-00		FITTING ASSEMBLY - Static line vent	2	
-13	95153-20		TUBE ASSEMBLY - Static air, left	1	
	95153-79		TUBE ASSEMBLY - Static air, right	1	
-14	95153-21		TUBE ASSEMBLY - Static air	1	
-15	95153-108		TUBE ASSEMBLY - Static air	1	
-16	95153-94		TUBE ASSEMBLY - Pitot air	1	
-17	95153-107		TUBE ASSEMBLY - Static air	1	
-18	95153-19		TUBE ASSEMBLY - Static air	1	
-19	95153-31		TUBE ASSEMBLY - Static air	1	
	95153-158	E	TUBE ASSEMBLY - Static air	1	
-20	95153-32		TUBE ASSEMBLY - Static air	1	
-21	95153-103		TUBE ASSEMBLY - Static air	1	
-22	95153-37		TUBE ASSEMBLY - Pitot air	1	
-23	95153-38	A	TUBE ASSEMBLY - Pitot air	1	
	95153-99	B	TUBE ASSEMBLY - Pitot air	1	
-24	95153-100	A	TUBE ASSEMBLY - Pitot air	1	
-25	95153-95		TUBE ASSEMBLY - Static air	1	
-26	95153-78		TUBE ASSEMBLY - Pitot air	1	
-27	65165-93		TUBE ASSEMBLY - Static air	1	
-28	95153-96		TUBE ASSEMBLY - Static air	1	
-29	95153-105		TUBE ASSEMBLY - Static air	1	
-30	95153-98		TUBE ASSEMBLY - Pitot air	1	
-31	95153-101		TUBE ASSEMBLY - Static air	1	
-32	63913-67		HOSE - Static air	1	
-33	65165-91		TUBE - Pitot air	2	
-34	63913-106		HOSE - Pitot air	2	
-35	96841-07		SUMP ASSEMBLY - Pitot pressure	1	
-36	492 202		* VALVE - (PS50036-2-1)	1	
-37	458 879	B,W	ELBOW - (AN821-3D)	1	
	488 315	A,W	TEE - (AN824-3D)	1	
-38	491 049	W	UNION - (AN815-3D)	1	
-39	458 879	W	ELBOW - (AN821-3D)	1	
-40	458 879	D,W	ELBOW - (AN821-3D)	1	
	488 310	C,W	TEE - (MS20826-3D)	1	

When ordering, always specify Part Number, Description and Serial Number of Aircraft

PIPER PARTS CATALOG

Figure and Index Number	Part Number	Code	NOMENCLATURE	No. Req.	SERIAL NUMBERS AFFECTED
30-41	458 893	W	ELBOW - (MS20822-3D)	2	
-42	458 888	W	ELBOW - (MS20823-3D)	3	
-43	488 380	W	TEE - (MS20825-3D)	2	
-44	476 643	W	NIPPLE - (AN911-1D)	2	
-45	488 315	W	TEE - (AN824-3D)	4	
-46	554 861	W	CLAMP - (SAE TY F-4)	9	
-47	78115-00		CONNECTOR - Pitot static	2	
-48	99377-26		SWITCH - Heated pitot	1	
-49	454 716		CIRCUIT BREAKER - Heated pitot (41-2-S14-LN2) 15 AMP	1	
-50	69042-00		GASKET - Heated pitot head	1	
	69042-02		GASKET - Unheated pitot head	1	
-51	95153-106		TUBE ASSEMBLY - Static air	1	
-52	63913-108		HOSE - Static air	1	
-53	63882-54		SLEEVE - Static air line	1	
-54	78134-00		BOSS ASSEMBLY - Pitot static	1	
-55	488 310	W	TEE - (MS20826-3D)	1	
-56	69669-75		PLACARD - Lift detector	1	

When ordering, always specify Part Number, Description and Serial Number of Aircraft

PIPER PARTS CATALOG

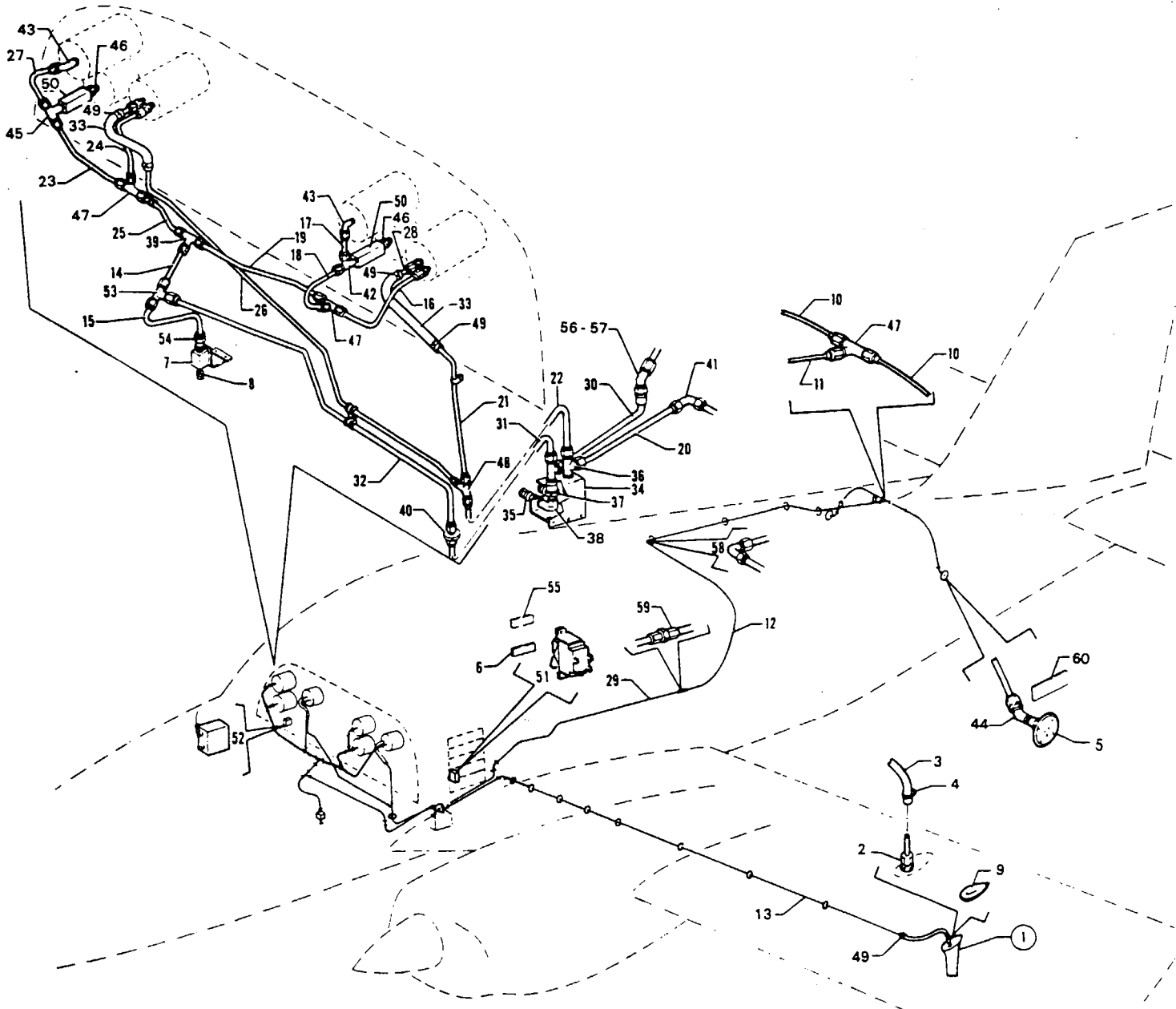


Figure 30A Pitot Static System Installation
(Serial Nos 34-7670137 and up)

REVISED: APRIL 1981

1G21

PA-34-200T

PIPER PARTS CATALOG

CODE EXPLANATIONS FOR FIGURE 30A

- A - Used if Single Instrument System is installed
- B - Used if Dual Instrument System is installed
- C - Used if rate of climb instrument is installed.
- D - Used if rate of climb instrument is not installed
- E - Used if encoding altimeter is installed
- F - Used if AltiMatic III C with omni coupler is installed on serial numbers 34-7770186, 34-7770264 and up
- G - See Figure 88 if Narco AR-500 or United 5125-P3 Altitude Reporter is installed
- W - These parts must be ordered from Service Spares Department, Piper Aircraft, Lock Haven, Penna

PIPER PARTS CATALOG

Figure and Index Number	Part Number	Code	NOMENCLATURE	No. Req.	SERIAL NUMBERS AFFECTED
30A-	37775		DRAWING - Pitot Static System Installation		
-1	96393-02		HEAD ASSEMBLY - Pitot (unheated)	1	
	96392-02		HEAD ASSEMBLY - Pitot (heated)	1	
-2	556 105		* CONNECTOR - (1068 x 4)	1	
-3	63913-34		* HOSE - Pitot air	1	
-4	488 722		* TIE - Cable (MS3367-4-9)	1	
-5	78039-00		FITTING ASSEMBLY - Static line vent	2	
-6	69669-156		PLACARD - Ground operation	1	
-7	37791-02		VALVE ASSEMBLY - Manifold pitot static	1	
-8	492 100	W	* VALVE ASSEMBLY - Alternate static air (CCA-7450)	1	
-9	69042-00		GASKET - Heated pitot head	1	
	69042-02		GASKET - Unheated pitot head	1	
-10	95153-20		TUBE ASSEMBLY - Static air, left	1	
	95153-79		TUBE ASSEMBLY - Static air, right	1	
-11	95153-168		TUBE ASSEMBLY - Static air	1	
-12	95153-169		TUBE ASSEMBLY - Static air	1	
-13	95153-94		TUBE ASSEMBLY - Pitot air	1	
-14	95153-176		TUBE ASSEMBLY - Static air	1	
-15	95153-175		TUBE ASSEMBLY - Static air	1	
-16	95153-19		TUBE ASSEMBLY - Static air	1	
-17	95153-31		TUBE ASSEMBLY - Static air	1	
	95153-158	E	TUBE ASSEMBLY - Static air	1	
-18	95153-32		TUBE ASSEMBLY - Static air	1	
-19	95153-103		TUBE ASSEMBLY - Static air	1	
-20	37343-38		TUBE ASSEMBLY - Pitot air	1	
-21	95153-99		TUBE ASSEMBLY - Pitot air	1	
-22	95153-172		TUBE ASSEMBLY - Pitot air	1	
-23	95153-95		TUBE ASSEMBLY - Static air	1	
-24	95153-96		TUBE ASSEMBLY - Static air	1	
-25	95153-105		TUBE ASSEMBLY - Static air	1	
-26	95153-98		TUBE ASSEMBLY - Pitot air	1	
-27	95153-101		TUBE ASSEMBLY - Static air	1	
-28	65165-91		TUBE - Pitot air	2	
-29	95153-170		TUBE ASSEMBLY - Static air	1	
-30	95153-171		TUBE ASSEMBLY - Static air	1	
-31	95153-173		TUBE ASSEMBLY - Static air	1	
-32	95153-174		TUBE ASSEMBLY - Static air	1	
-33	63913-106		HOSE - Pitot air	2	
-34	35574-00		SUMP ASSEMBLY - Pitot pressure	1	
-35	492 241		* VALVE - (PS50036-2-2)	2	
-36	488 310	W	* TEE - (AN826-3D)	2	
-37	455 173	W	* COUPLING - (AN910-1D)	2	
-38	35696-02		* ELBOW - Pitot static	2	
-39	458 879	B.W	ELBOW - (AN821-3D)	1	
	488 315	A.W	TEE - (AN824-3D)	1	
-40	491 049	G.W	UNION - (AN815-3D)	1	
-41	458 879	W	ELBOW - (AN821-3D)	1	
-42	458 879	D.W	ELBOW - (AN821-3D)	1	
	488 310	C.W	TEE - (MS20826-3D)	1	

When ordering, always specify Part Number, Description and Serial Number of Aircraft

PIPER PARTS CATALOG

Figure and Index Number	Part Number	Code	NOMENCLATURE	No. Req.	SERIAL NUMBERS AFFECTED
30A-43	458 893	W	ELBOW - (MS20822-3D)	2	
-44	458 888	W	ELBOW - (MS20823-3D)	2	
-45	488 380	W	TEE - (MS20825-3D)	1	
-46	476 643	W	NIPPLE - (AN911-1D)	2	
-47	488 315	W	TEE - (AN824-3D)	3	
-48	488 315	W	TEE - (AN824-3D)	1	
	491 049	W	UNION - (AN815-3D)	1	
-49	554 861	W	CLAMP - (SAE TY F-4)	5	
-50	78115-00		CONNECTOR - Pitot static	2	
-51	99377-26		SWITCH - Heated pitot	1	
-52	454 716		CIRCUIT BREAKER - Heated pitot (41-2-S14-LN2) 15 AMP	1	
-53	488 315	W	TEE - (AN824-3D)	1	
	455 417	F	CROSS - (AN827-3D)	1	
-54	476 647	W	UNION - (AN816-3D)	1	
-55	69669-75		PLACARD - Lift detector	1	
-56	558 824		ELBOW - (MS21907-D3)	1	
	477 823		NUT - (MS21921-3D)	2	
	486 960		SLEEVE - (MS21922-3)	2	
	491 059		UNION - (AN832-3D)	1	
-57	477 617	W	NUT - (AN924-3D)	1	
	407 587	W	WASHER - (AN960-616L)	2	
-58	558 823		ELBOW - (MS21904-D3)	1	
	477 823		NUT - (MS21921-3D)	2	
	486 960		SLEEVE - (MS21922-3)	2	
	458 879	W	ELBOW - (AN821-3D)	1	
-59	491 106		UNION - (MS21092-D3)	1	
	477 823		NUT - (MS21921-3D)	2	
	486 960		SLEEVE - (MS21922-3)	2	
	491 049	W	UNION - (AN815-3D)	1	
-60	87336-02		PLACARD - Static vents	2	

When ordering, always specify Part Number, Description and Serial Number of Aircraft

PIPER PARTS CATALOG

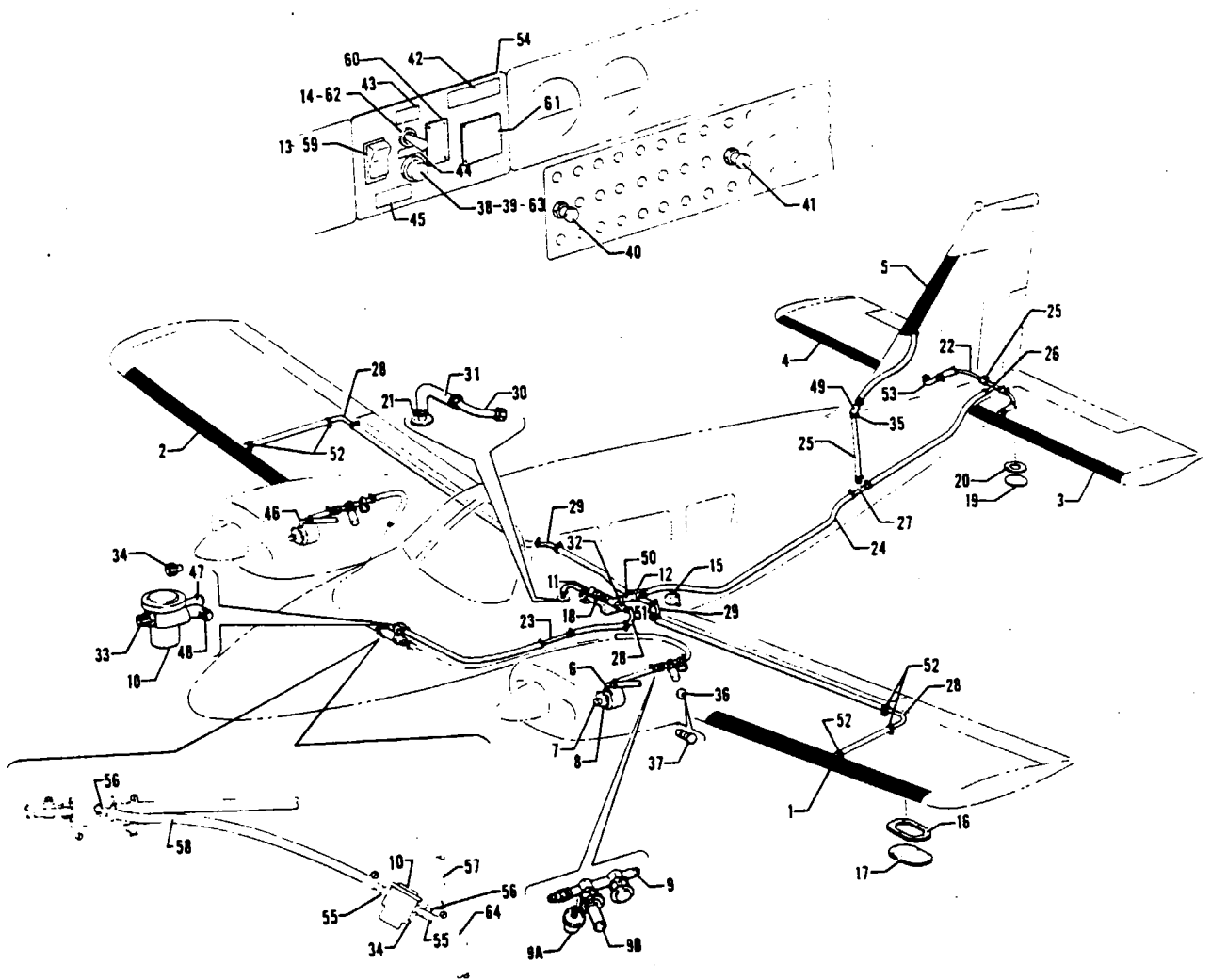


Figure 31. Pneumatic Deicer Installation

PIPER PARTS CATALOG

CODE EXPLANATIONS FOR FIGURE 31

A - Used if pilot and co-pilot gyros are installed

B - Used if pilot gyros only are installed

C - If Pneumatic Deice System Installation Kit 761 030 has been installed, order parts for serial nos 34-7570001, 34-7670114 and up

D - See Figure 78 or 78A if Electric Deicer is installed

W - These parts must be ordered from Service Spares Department, Piper Aircraft, Lock Haven, Penna

PIPER PARTS CATALOG

Figure and Index Number	Part Number	Code	NOMENCLATURE	No Req.	SERIAL NUMBERS AFFECTED
31-	37700		DRAWING - Ice Protection System Installation		
-1	456 425 553 604	C	DEICER - Wing, left (25S-7D5036-01) DEICER - Wing, left (25S-7D5036-07)	1 1	34-7570002 to 34-7670113 incl 34-7570001, 34-7670114 and up
-2	456 426 553 603	C	DEICER - Wing, right (25S-7D5036-02) DEICER - Wing, right (25S-7D5036-08)	1 1	34-7570002 to 34-7670113 incl 34-7570001, 34-7670114 and up
-3	456 427		DEICER - Horizontal stabilizer, left (25S-7D5036-03)	1	
-4	456 428		DEICER - Horizontal stabilizer, right (25S-7D5036-04)	1	
-5	456 429		DEICER - Vertical fin (25S-7D5036-05)	1	
-6	26749-09	W	PUMP - Pressure (441CC-7) left	1	
	26749-10	W	PUMP - Pressure (442CW-6) right	1	
-7	757 865	W	* COUPLING ASSEMBLY KIT - Vacuum pump drive (No 352)	1	
-8	751 859	W	* GASKET - Pump mounting (B3-1-2)	1	
-9	492 257		VALVE - Pressure regulator (2H22-16)	2	
-9a	757 793		* SWITCH - (F7-7-12)	1	
-9b	762 249		* SOLENOID - (1E15-7)	1	
-10	484 161	A	VALVE - Pressure regulator (3H64-1)	1	
	584 031	B	VALVE - Pressure regulator (3H64-4)	1	
-11	492 261		VALVE - Control (3D2361)	1	
-12	587 842		SWITCH - Pressure (1D1194-1)	1	
-13	32370-24	W	SWITCH - Surface deice	1	34-7570001 to 34-7770229 incl
	99377-35		SWITCH - Surface deice	1	34-7770230 and up
-14	587 923		SWITCH - Ice inspection light (PS10095-1)	1	
-15	475 175		TIME MODULE - Deicer (3D2498-02)	1	
-16	35362-00		DOUBLER - Wing access cover	2	
-17	62109-00		COVER - Wing deice access	2	
-18	37711-00		BRACKET ASSEMBLY - Deicer	1	
-19	37713-00		DOOR - Stabilator deice access	2	
-20	37714-00		DOUBLER ASSEMBLY - Stabilator access door	2	
-21	37719-00		VENT ASSEMBLY	2	
-22	95153-156		TUBE	2	
-23	95153-157		TUBE	1	
-24	589 664		TUBE - 1/2" I D	AR	
-25	589 665		TUBE - 3/8" I D	AR	
-26	37715-00		TEE	1	
-27	37716-00		TEE	1	
-28	95153-159		TUBE	3	
-29	95153-160		TUBE	2	
-30	37343-35		TUBE ASSEMBLY	1	
-31	63913-125		HOSE	1	
-32	484 148		REDUCER - (3D2620)	1	
-33	476 712	W	NIPPLE - (1K88-1)	1	
-34	582 223	B	PLUG - (MS20913-1D)	1	
-35	477 620	W	NUT - (AN924-6D)	1	
-36	472 900		LIGHT ASSEMBLY - Ice inspection (3D2554-01)	1	
-37	761 179		* LAMP - (1383)	1	
-38	472 054	W	LAMP - (PS10008-330)	1	
-39	472 901		LIGHT - Indicator (MS25041-3)	1	
-40	454 715		CIRCUIT BREAKER - (41-2-S14-LN2) 10 AMP	1	
-41	454 714		CIRCUIT BREAKER - (41-2-S14-LN2) 5 AMP	1	
-42	69669-02		PLACARD - Not approved for flight in icing conditions	1	
	69669-43		PLACARD - Approved for flight in icing conditions	1	
-43	582 362		PLACARD - "ON" (2D1294-1)	1	
-44	582 363		PLACARD - Wing ice light (2D1294-2)	1	
-45	582 364		PLACARD - Wing tail deicers (2D1294-3)	1	

When ordering, always specify Part Number, Description and Serial Number of Aircraft

PIPER PARTS CATALOG

Figure and Index Number	Part Number	Code	NOMENCLATURE	No. Req.	SERIAL NUMBERS AFFECTED
31-46	558 925	W	ELBOW - (1K1-8-12)	4	
-47	551 874		ADAPTER - (1K10-6-6)	1	
-48	558 839		ELBOW - (1K1-6-6)	1	
-49	558 840		ELBOW - (AN846-6D)	1	
-50	455 409		CROSS - (3D2621)	1	
-51	554 888	W	CLAMP - (SAE TY F-6)	38	
-52	554 946	W	CLAMP - (SAE TY F-8)	8	
-53	63913-01		HOSE	2	
-54	37704-00		PANEL - Ice protection system control	1	
-55	551 874		ADAPTER - (1K10-6-6)	2	
-56	558 839		ELBOW - (1K1-6-6)	2	
-57	69015-19		HOSE - Left gyro	1	
-58	63913-179		HOSE - Manifold to pressure regulator	1	34-7570001 to 34-8070143 incl.
	63913-55		HOSE - Manifold to pressure regulator	1	34-8070144 and up
-59	66713-00		PLATE - Switch cover	1	
-60	66713-00	D	PLATE - Switch cover	1	
-61	37704-18	D	COVER - Panel assembly	1	
-62	453 898	W	BUTTON - Plug (SS48151)	1	
-63	453 602	W	BUTTON - Plug (SS48152)	1	
-64	63913-155		HOSE - Right gyro	1	

When ordering, always specify Part Number, Description and Serial Number of Aircraft

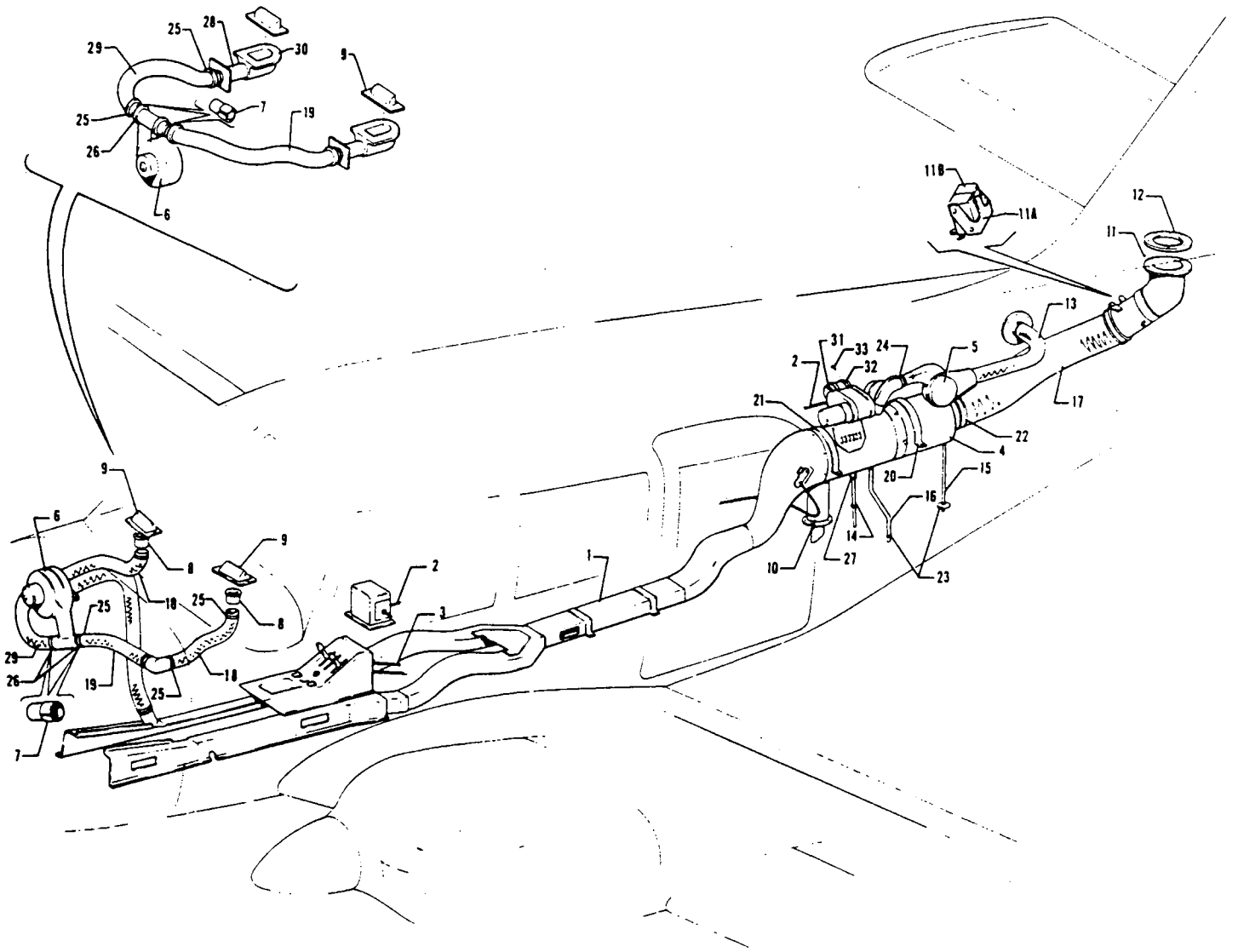


Figure 32. Heat and Defrost System Installation

PIPER PARTS CATALOG

CODE EXPLANATIONS FOR FIGURE 32

- A - See Figure 35 for component parts
- B - See Figure 36 for component parts
- C - See Figure 37 for component parts
- D - See Figure 33 for component parts
- E - See Figure 34 for component parts
- F - Used with Heater Assembly 82D31-1 (30,000 BTU)
- G - Used with Heater Assembly 90D38-1 (45,000 BTU)
- H - Used on serial numbers 34-8170075 and up. Also used on 34-7570001 to 34-8170074 inclusive if Janitrol Heater Hour Meter Installation Kit 764 094 has been installed per Service Spares Letter 380
- W - These parts must be ordered from Service Spares Department, Piper Aircraft, Lock Haven, Penna

PIPER PARTS CATALOG

Figure and Index Number	Part Number	Code	NOMENCLATURE	No. Req.	SERIAL NUMBERS AFFECTED
32-	37069		DRAWING - Heat and Defrost System Installation (Complete)		
-1		A	HEATER DUCT INSTALLATION	1	
-2		B	HEATER FUEL SYSTEM INSTALLATION	1	
-3		C	HEATER CONTROLS INSTALLATION	1	
-4	78355-05	D	JANITROL HEATER ASSEMBLY - (82D31-1) 30,000 BTU	1	34-7570001 to 34-7570337 incl
	464 401	D	JANITROL HEATER ASSEMBLY - (90D38-1) 45,000 BTU	1	
-5	78355-03	E,F	COMBUSTION AIR BLOWER AND MOTOR ASSEMBLY	1	
	452 955	E,G	COMBUSTION AIR BLOWER AND MOTOR ASSEMBLY	1	
-6	96796-02		BLOWER ASSEMBLY - Defroster	1	
-7	96798-00		ADAPTER ASSEMBLY - Defroster blower	2	
-8	68908-00		OUTLET - Defrost air	2	34-7570001 to 34-8070240 incl
-9	65318-00		OUTLET - Defrost air	2	
-10	78444-00		SHROUD - Heater exhaust	1	
-11	37491-00		INLET ASSEMBLY - Heater air	1	
-11a	451 827		* ACTUATOR - (JV-82)	1	
-11b	487 925		* SWITCH - (V3-1)	2	
-12	37493-00		GASKET - Air inlet, heater	1	
-13	78442-00	F	TUBE - Air inlet, heater	1	34-7570001 to 34-7570337 incl
	78442-03	G	TUBE - Air inlet, heater	1	
-14	37164-05	F	TUBE ASSEMBLY - Heater drain	1	34-7570001 to 34-7570337 incl
	95153-119	G	TUBE ASSEMBLY - Heater drain	1	
-15	63904-85	F	HOSE - Heater drain	1	34-7570001 to 34-7570337 incl
	63904-82	G	HOSE - Heater drain	1	
-16	63904-84	F	HOSE - Heater drain	1	34-7570001 to 34-7570337 incl
	63904-81	G	HOSE - Heater drain	1	
-17	63633-119	F	HOSE - Air duct	1	34-7570001 to 34-7570337 incl
	63633-140	G	HOSE - Air duct	1	
-18	63633-112		HOSE - Defrost duct	2	34-7570001 to 34-8070240 incl
-19	63633-191		HOSE - Defrost duct	1	
-20	37164-02		CLAMP - Heater	1	
-21	37164-03		CLAMP - Heater	1	
-22	554 719		CLAMP - (SAE TY A-4 1/8)	2	
-23	554 861	W	CLAMP - (SAE TY F-4)	4	
-24	554 945	W	CLAMP - (SAE TY F-28)	1	
-25	554 865	W	CLAMP - (SAE TY A-1 9/16)	8	
-26	554 925	W	CLAMP - (SAE TY F-24)	2	
-27	476 648	W	NIPPLE - (AN816-4D)	1	
-28	36736-05		TUBE - Defroster air	2	34-8070241 and up
-29	63633-112		HOSE - Defrost	1	
-30	36736-07		DUCT - Defroster air	2	34-8070241 and up
-31	548 579	H	INDICATOR - Heater hour meter (3000-00005)	1	
-32	654 104	H	CLAMP - (MS21919-DG32)	2	
-33	415 533	H,W	SCREW - (MS35206-243)	1	

When ordering, always specify Part Number, Description and Serial Number of Aircraft

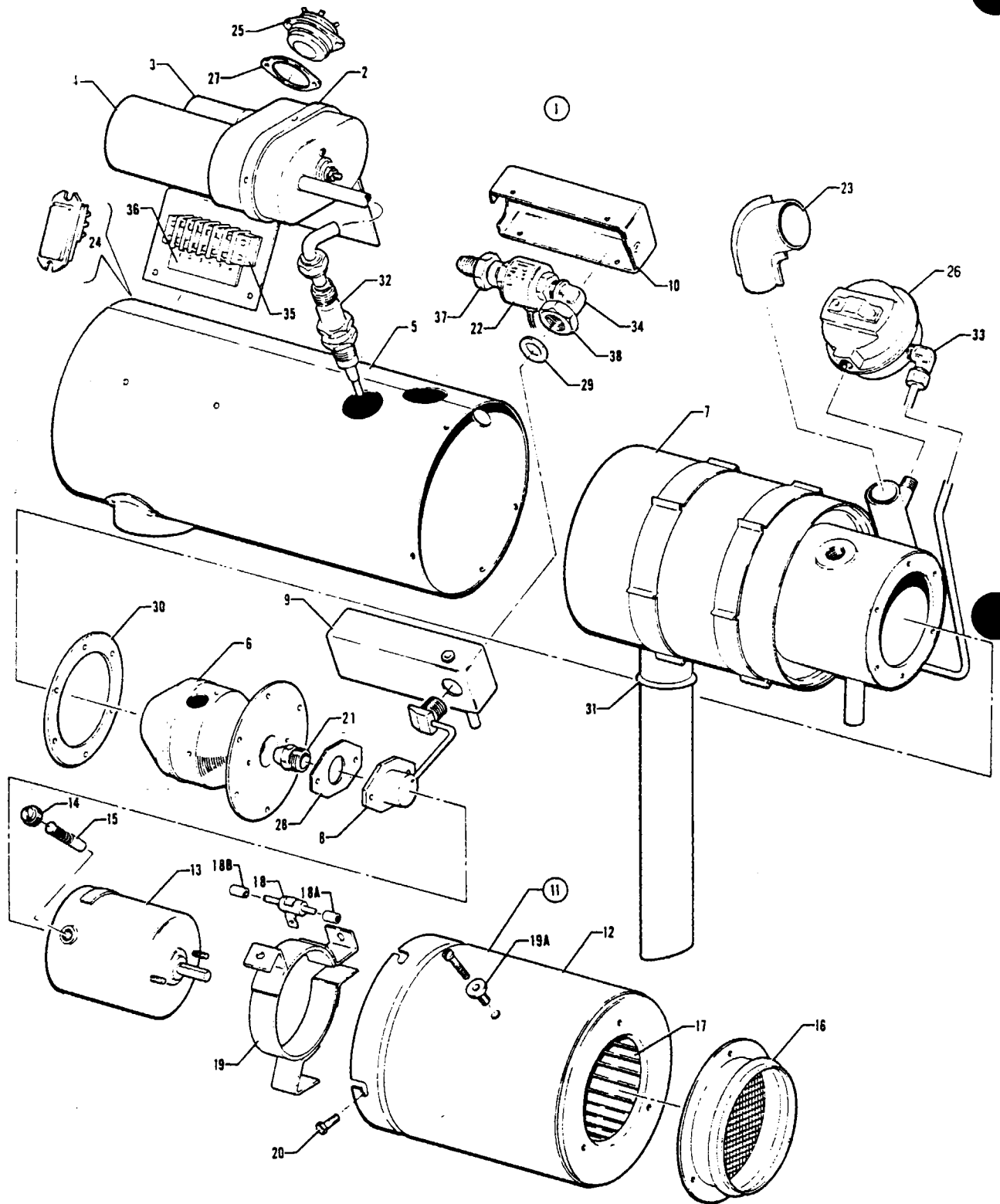


Figure 33. Janitrol Heater Assembly

PIPER PARTS CATALOG

CODE EXPLANATIONS FOR FIGURE 33

- A - Used with Heater Assembly 82D31-1 (30,000 BTU).
- B - Used with Heater Assembly 90D38-1 (45,000 BTU).
- W - These parts must be ordered from Service Spares Department, Piper Aircraft, Lock Haven, Penna.

PIPER PARTS CATALOG

Figure and Index Number	Part Number	Code	NOMENCLATURE	No. Req.	SERIAL NUMBERS AFFECTED
33-1	78355-05		HEATER ASSEMBLY - (82D31-1) 30.000 BTU	1	34-7570001 to 34-7570337 incl
	464 401		HEATER ASSEMBLY - (90D38-1) 45.000 BTU	1	
-2	752 108	A.W	* IGNITION ASSEMBLY	1	
	755 456	B.W	* IGNITION ASSEMBLY	1	
-3	756 577	W	* * VIBRATOR - Ignition (solid state)	1	
-4	757 982	W	* * COIL - Ignition	1	
-5	752 132	A	* JACKET ASSEMBLY	1	
	752 135	B	* JACKET ASSEMBLY	1	
-6	755 243	W	* HEAD ASSEMBLY - Combustion	1	
-7	761 935	A	* TUBE ASSEMBLY - Combustion	1	
	761 945	B	* TUBE ASSEMBLY - Combustion	1	
-8	754 833	W	* FUEL FEED AND NOZZLE HOLDER ASSEMBLY	1	
-9	758 263	A	* BOX ASSEMBLY - Fuel shroud, lower	1	
	758 299	B.W	* BOX ASSEMBLY - Fuel shroud, lower	1	
-10	758 264	A	* BOX - Fuel shroud, upper	1	
	758 300	B.W	* BOX - Fuel shroud, upper	1	
-11	758 265	A	* BLOWER ASSEMBLY - Vent air	1	
	758 301	B	* BLOWER ASSEMBLY - Vent air	1	
-12	751 960	A.W	* * HOUSING - Blower	1	
	755 255	B.W	* * HOUSING - Blower	1	
-13	761 574	A	* * MOTOR ASSEMBLY - Vent air blower	1	
	761 606	B	* * MOTOR ASSEMBLY - Vent air blower	1	
-14	753 392	W	* * * CAP - Brush assembly	2	
-15	753 391	W	* * * BRUSH ASSEMBLY - Motor	2	
-16	751 324		* * ADAPTER	1	
-17	753 201	W	* * FAN - Vent air blower	1	
-18	757 990	A	* * CAPACITOR ASSEMBLY	1	
	758 013	B.W	* * CAPACITOR ASSEMBLY	1	
-18a	762 451	A.W	* * SLEEVE - High temperature	1	
	762 455	B.W	* * SLEEVE - High temperature	1	
-18b	762 456	B.W	* * SLEEVE - High temperature	1	
-19	753 389	A.W	* * BRACKET ASSEMBLY - Motor	1	
	758 305	B.W	* * BRACKET ASSEMBLY - Motor	1	
-19a	754 847	B.W	* * FASTENER	3	
	757 799	B.W	* * SCREW	3	
-20	754 811	W	* FASTENER	4	
-21	752 547	A	* NOZZLE - Fuel	1	
	752 529	B	* NOZZLE - Fuel	1	
-22	757 757	A	* SOLENOID ASSEMBLY - Fuel	1	
	757 792	B.W	* SOLENOID ASSEMBLY - Fuel	1	
-23	751 258	A.W	* ADAPTER - Elbow	1	
	763 035	B	* ADAPTER - Elbow	1	
-24	756 178	W	* SWITCH - Cycling	1	
-25	756 177	W	* SWITCH - Limit	1	
-26	757 756	W	* SWITCH - Pressure	1	
-27	751 874	W	* GASKET - Limit switch	2	
-28	751 922	W	* GASKET	1	
-29	755 022	W	* GASKET	1	
-30	751 920	W	* GASKET	1	
-31	751 877	W	* GASKET - Asbestos	1	
-32	757 334	W	* PLUG - Spark	1	
-33	754 771	W	* ELBOW	1	
-34	754 779		* ELBOW	1	
-35	753 049	A.W	* STRIP - Terminal	1	
	761 946	B.W	* STRIP - Terminal	1	
-36	752 107	A.W	* INSULATOR - Terminal strip	1	
	755 401	B.W	* INSULATOR - Terminal strip	1	
-37	755 615	W	* NIPPLE	1	
-38	752 563	W	* NUT - (MS35691-45)	1	

When ordering, always specify Part Number, Description and Serial Number of Aircraft

PIPER PARTS CATALOG

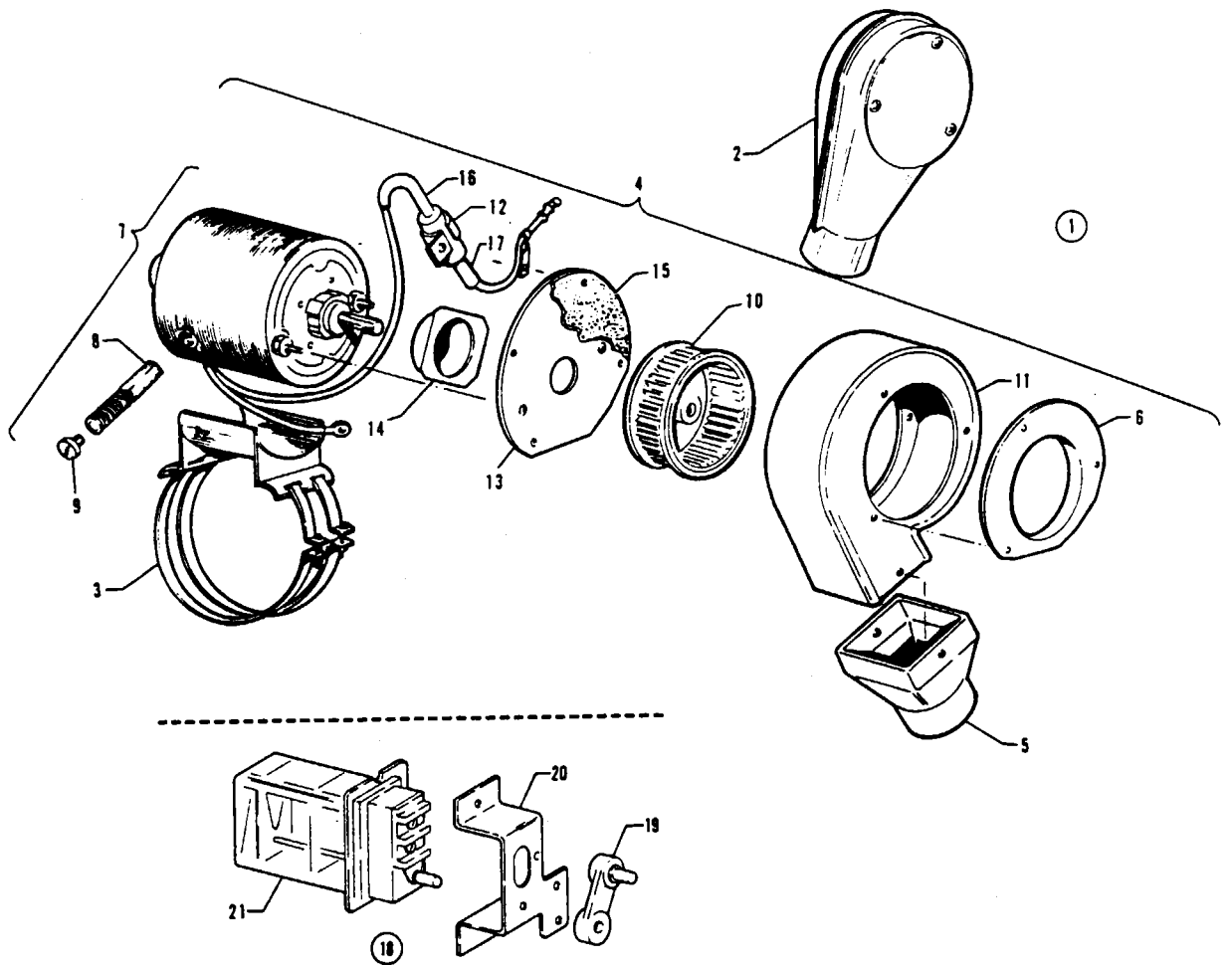


Figure 34 Janitrol Heater Components

REVISED: APRIL 1981

1H11

PA-34-200T

PIPER PARTS CATALOG

CODE EXPLANATIONS FOR FIGURE 34

- A - Used with Heater Assembly 82D31-1 (30,000 BTU).
- B - Used with Heater Assembly 90D38-1 (45,000 BTU).
- W - These parts must be ordered from Service Spares, Piper Aircraft, Lock Haven, Penna.

PIPER PARTS CATALOG

Figure and Index Number	Part Number	Code	NOMENCLATURE	No. Req.	SERIAL NUMBERS AFFECTED
34-1	78355-03	A	COMBUSTION AIR BLOWER AND MOTOR ASSEMBLY - (83D63-1)	1	34-7570001 to 34-7570337 incl.
	452 955	B	COMBUSTION AIR BLOWER AND MOTOR ASSEMBLY - (90D39-1)	1	
-2	752 109	A,W	* ADAPTER ASSEMBLY - Blower inlet	1	
	751 332	B,W	* ADAPTER ASSEMBLY - Blower inlet	1	
-3	753 664	A,W	* MOUNT - Combustion air blower support	1	
	761 605	B	* MOUNT - Combustion air blower support	1	
-4	757 989	A	* COMBUSTION AIR BLOWER AND MOTOR	1	
	758 017	B	* COMBUSTION AIR BLOWER AND MOTOR	1	
-5	751 259	A,W	* * ADAPTER - Outlet	1	
-6	751 803	A,W	* * FLANGE - Inlet	1	
-7	753 663	A,W	* * MOTOR ASSEMBLY - Combustion air blower	1	
	761 606	B	* * MOTOR ASSEMBLY - Combustion air blower	1	
-8	753 391	W	* * * BRUSH ASSEMBLY	2	
-9	753 392	W	* * * CAP - Brush assembly	2	
-10	753 202	A,W	* * FAN - Combustion air blower	1	
	751 817	B,W	* * FAN - Combustion air blower	1	
-11	751 961	A,W	* * HOUSING - Blower (complete)	1	
	755 252	B,W	* * HOUSING - Blower (motor attachment half)	1	
	755 253	B,W	* * HOUSING - Blower (blower inlet adapter attachment half)	1	
-12	757 988	A	* * CAPACITOR	1	
	758 013	B,W	* * CAPACITOR	1	
-13	755 866	A,W	* * PLATE - Back	1	
-14	756 184	W	* * SPACER	1	
-15	751 878	A,W	* * GASKET - Back plate	1	
-16	762 451	A,W	* * SLEEVE - High temperature	1	
	762 455	B,W	* * SLEEVE - High temperature	1	
-17	762 456	B,W	* * SLEEVE - High temperature	1	
-18	78293-00	A	SWITCH ASSEMBLY - Adjustable duct (250 degrees)	1	34-7570001 to 34-7570337 incl.
	757 573	B,W	SWITCH ASSEMBLY - Adjustable duct (250 degrees)	1	
-19	752 367	W	* LEVER - Switch	1	
-20	758 127	W	* BRACKET ASSEMBLY - Switch	1	
-21	756 262	W	* SWITCH - Adjustable duct	1	

When ordering, always specify Part Number, Description and Serial Number of Aircraft

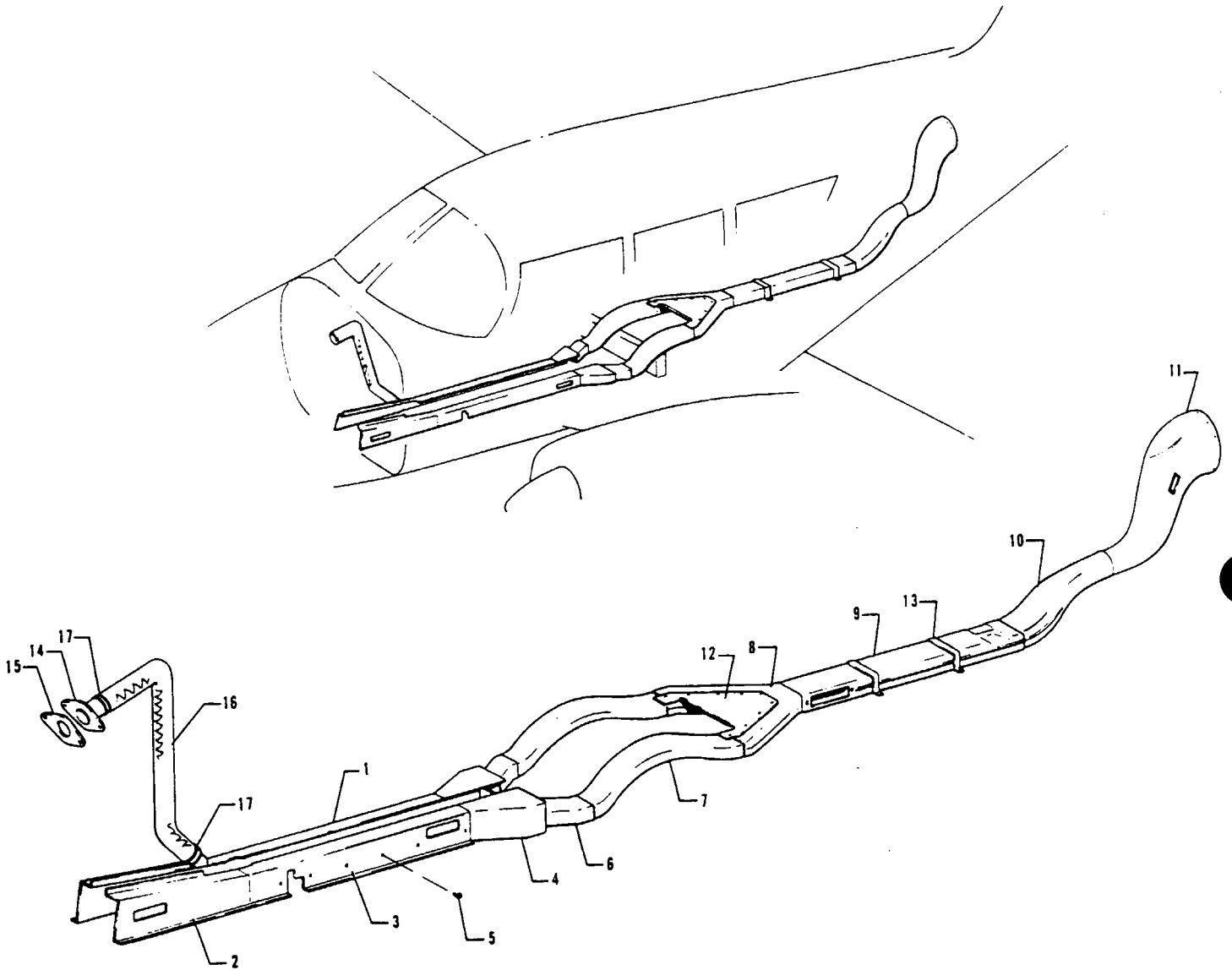


Figure 35. Heater Duct Installation

1H14

REVISED: SEPTEMBER 1976

PA-34-200T

PIPER PARTS CATALOG

CODE EXPLANATIONS FOR FIGURE 35

W - These parts must be ordered from Service Spares, Piper Aircraft, Lock Haven, Penna.

PIPER PARTS CATALOG

Figure and Index Number	Part Number	Code	NOMENCLATURE	No. Req.	SERIAL NUMBERS AFFECTED
35-	37165		DRAWING - Ventilation Air and Heater Duct Installation		
-1	37161-00		DUCT ASSEMBLY - Cabin heat, left	1	
	37161-01		DUCT ASSEMBLY - Cabin heat, right	1	
-2	37161-04		* DUCT - Cabin heat, forward, left	1	
	37161-07		* DUCT ASSEMBLY - Cabin heat, forward, right	1	
-3	37161-02		* DUCT - Cabin heat, center, left	1	
	37161-03		* DUCT - Cabin heat, center, right	1	
-4	68923-06		* DUCT - Cabin heat, rear, left	1	
	68923-07		* DUCT - Cabin heat, rear, right	1	
-5	487 560	W	* STUD - (XX10362-12)	11	
-6	37165-39		DUCT ASSEMBLY - Heat	2	
-7	37165-16		DUCT ASSEMBLY - Heat, left	1	
	87736-02		DUCT ASSEMBLY - Heat, right	1	
-8	37165-59		DUCT ASSEMBLY - Heat	1	
-9	37165-60		DUCT ASSEMBLY - Heat	1	
-10	37165-03		DUCT ASSEMBLY - Heat	1	
-11	37165-09		DUCT ASSEMBLY - Heat	1	
-12	37165-46		PLATE	1	
-13	37165-47		STRAP	2	
-14	37167-32		INLET ASSEMBLY	1	34-7570001 to 34-8070240 incl.
	36736-03		INLET ASSEMBLY	1	34-8070241 and up
-15	37167-33		GASKET	1	34-7570001 to 34-8070240 incl.
	36736-08		GASKET	1	34-8070241 and up
-16	63633-139		HOSE - (49.25" L.)	1	34-7570001 to 34-8070240 incl.
	63633-120		HOSE - (27.00" L.)	1	34-8070241 and up
-17	454 994		CLAMP - (SAE TY A-2 1/16)	2	

When ordering, always specify Part Number, Description and Serial Number of Aircraft

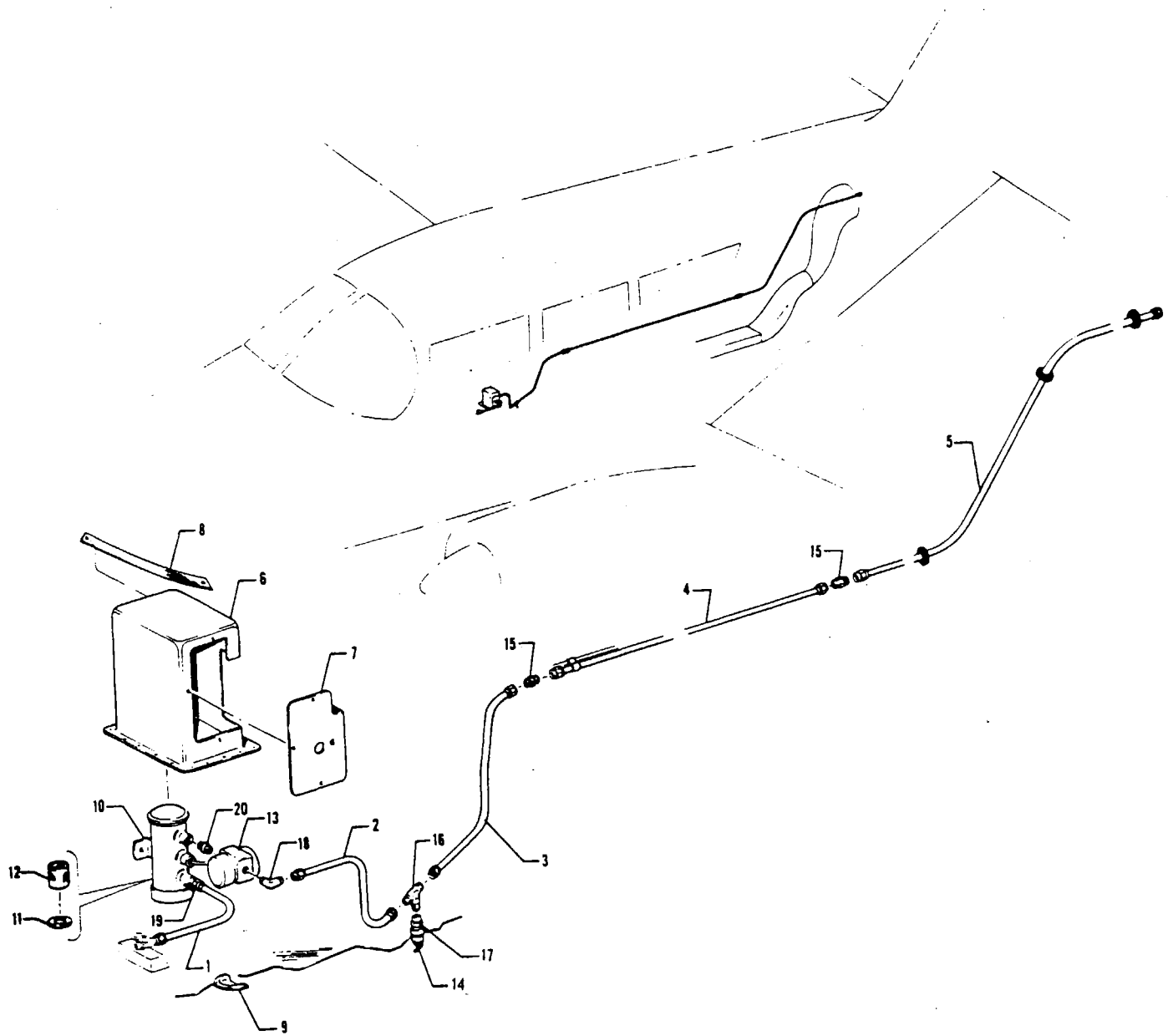


Figure 36 Heater Fuel System Installation

PIPER PARTS CATALOG

CODE EXPLANATIONS FOR FIGURE 36

- A - Used with Heater Assembly 82D31-1 (30.000 BTU)
- B - Used with Heater Assembly 90D38-1 (45.000 BTU)
- C - Used if Fuel Pump Assembly P/N 481 701 (Bendix P/N 480543) is installed
- D - Used if Fuel Pump Assembly P/N 481 842 (Facet P/N 40075) is installed
- W - These parts must be ordered from Service Spares Department, Piper Aircraft, Lock Haven, Penna

PIPER PARTS CATALOG

Figure and Index Number	Part Number	Code	NOMENCLATURE	No. Req.	SERIAL NUMBERS AFFECTED
36-	37167		DRAWING - Heat and Defrost System Installation		
-1	37167-17		TUBE ASSEMBLY	1	
-2	37167-19		TUBE ASSEMBLY	1	
-3	37167-25		TUBE ASSEMBLY	1	
-4	37167-35		TUBE ASSEMBLY	1	
-5	37167-42	A	TUBE ASSEMBLY	1	34-7570001 to 34-7570337 incl
	37167-37	B	TUBE ASSEMBLY	1	
-6	37167-10		BOX ASSEMBLY	1	
-7	37167-23		COVER	1	
-8	63890-07		CABLE ASSEMBLY - Ground	1	
-9	22482-00		SCOOP	1	
-10	481 842		PUMP ASSEMBLY - Fuel (40075)	1	
-11	751 872	W	* GASKET - Cover (479136)	1	
-12	751 799	C,W	* SCREEN - Filter (479135)	1	
	754 881	D	* SCREEN - Filter (479729)	1	
-13	753 122	W	FUEL REGULATOR AND SHUTOFF VALVE - (23D04-7-0)	1	
-14	492 202		VALVE - (PS50036-2-1)	1	
-15	491 050	W	UNION - (AN815-4D)	2	
-16	488 499		TEE - (AN825-4D)	1	
-17	455 173	W	COUPLING - (AN910-1D)	1	
-18	458 894	W	ELBOW - (AN822-4D)	1	
-19	455 259		COUPLING - (AN910-2D)	1	
	476 662	W	NIPPLE - (AN816-6D)	1	
-20	451 872	W	ADAPTER - (W/H 3200 x 4 x 2)	1	

When ordering, always specify Part Number, Description and Serial Number of Aircraft

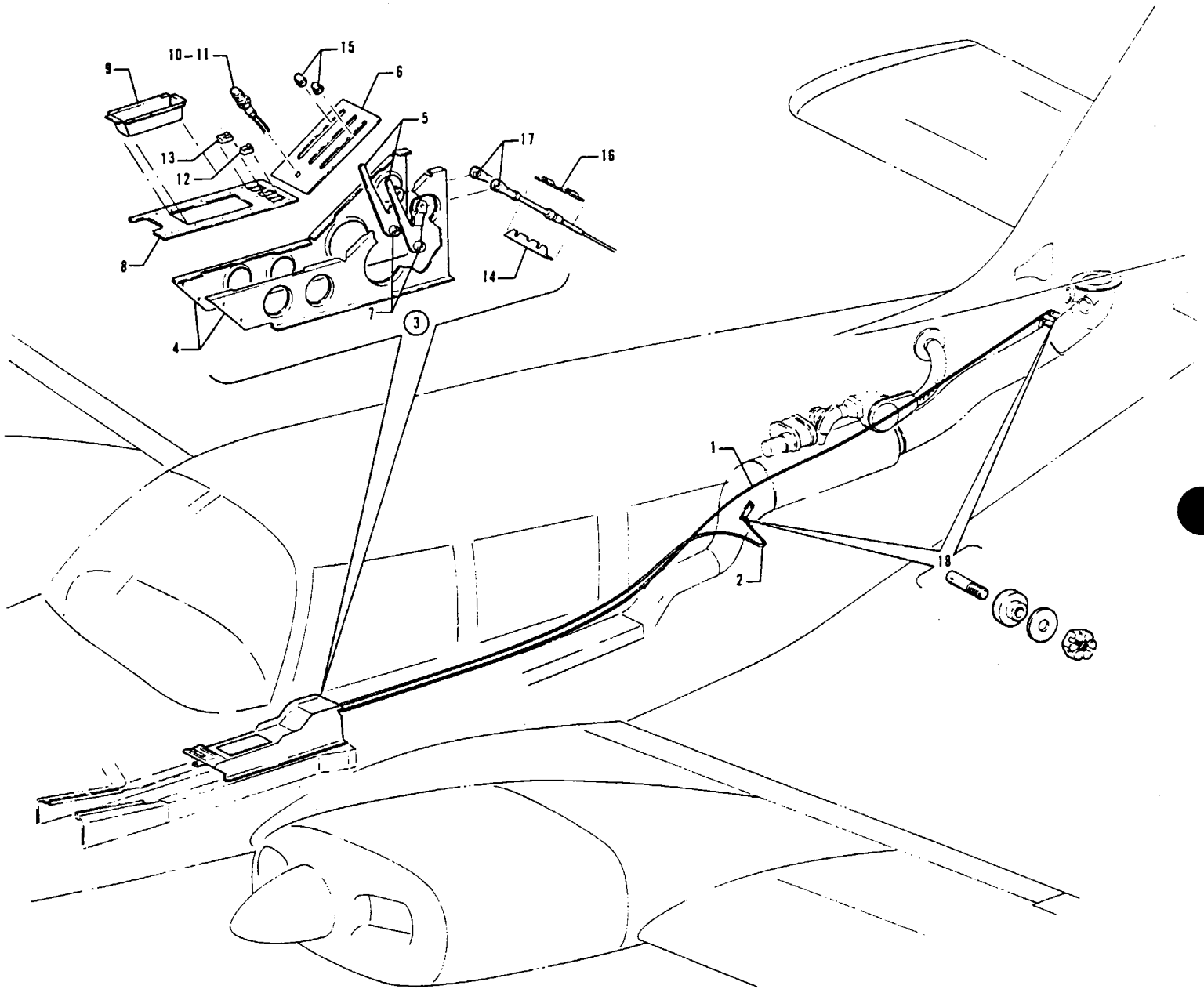


Figure 37 Heater Controls Installation

PIPER PARTS CATALOG

CODE EXPLANATIONS FOR FIGURE 37

W - These parts must be ordered from Service Spares Department, Piper Aircraft, Lock Haven, Penna.

PIPER PARTS CATALOG

Figure and Index Number	Part Number	Code	NOMENCLATURE	No. Req.	SERIAL NUMBERS AFFECTED
37-	37167		DRAWING - Heat and Defrost Systems Installation		
-1	554 260		CABLE ASSEMBLY - Air inlet control (PS50146-11-2)	1	
-2	554 259		CABLE ASSEMBLY - Switch control (PS50146-11-1)	1	
-3	37556-00		CONTROL ASSEMBLY - Heater and selector valve lever cover	1	
-4	78381-00		* BRACKET - Heater control, left	1	
	78381-01		* BRACKET - Heater control, right	1	
-5	78339-00		* LEVER ASSEMBLY - Heater control	2	
-6	78379-00		* PLATE - Heater control	1	
-7	96691-00		* BEARING - Heater control	2	
-8	78380-00		* PLATE - Heater control	1	
-9	96044-00		* BOX - Selector valve lever	1	
-10	472 825		* LIGHT - (MS25041-6)	1	
-11	472 054	W	* BULB - (PS10008-330)	1	
-12	99377-61		* SWITCH - Heater and fan	1	
-13	99377-62		* SWITCH - Defrost	1	
-14	78338-00		RETAINER - Control cable	1	
-15	66980-00		KNOB - Heater control	2	
-16	78337-00		CLAMP - Control cable	1	
-17	452 606	W	BEARING - (PS10020-16-2)	2	
-18	70371-02	W	FITTING - Swivel	2	
	70371-03	W	STUD - Swivel fitting	2	
	81342-18		WASHER - Swivel fitting	2	
	404 392	W	NUT - (AN320-3)	2	

When ordering, always specify Part Number, Description and Serial Number of Aircraft

1H23 THRU 1H24
INTENTIONALLY LEFT BLANK

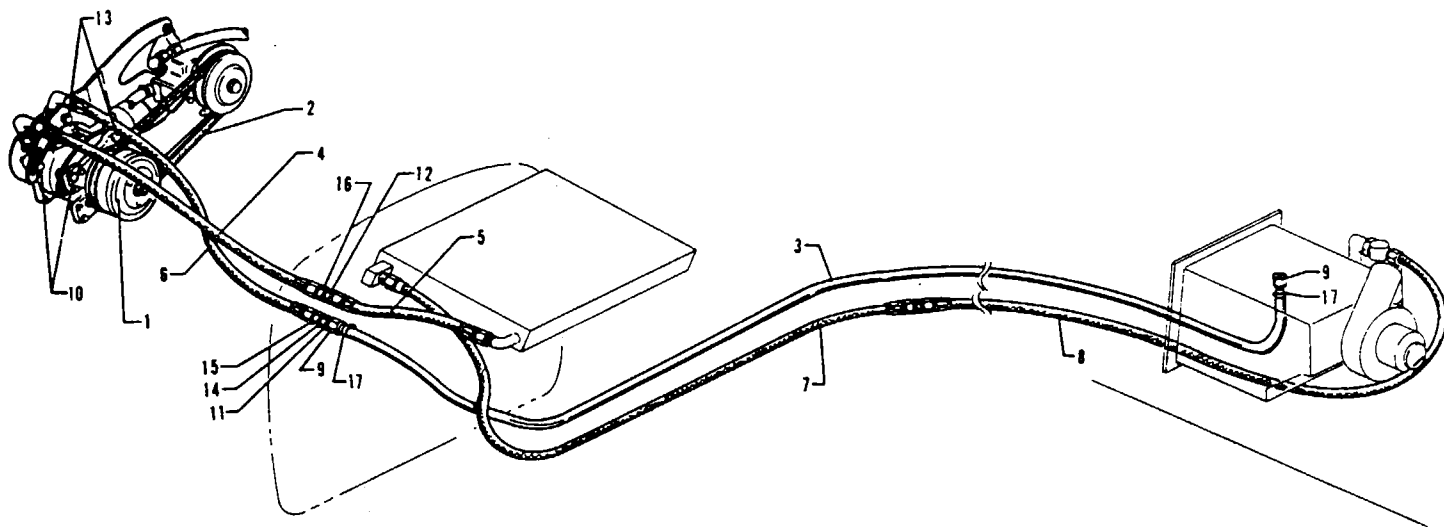


Figure 37A Air Conditioning Compressor and Refrigerant Lines Installation
(Serial Nos. 34-7970001 and up)

PIPER PARTS CATALOG

CODE EXPLANATIONS FOR FIGURE 37A

- A - Used if Refrigerant Line Fitting Replacement Kit 764 251 has not been installed
- B - Used if Refrigerant Line Fitting Replacement Kit has been installed per Service Spares Letter 387
- W - These parts must be ordered from Service Spares Department, Piper Aircraft, Lock Haven, Penna

PIPER PARTS CATALOG

Figure and Index Number	Part Number	Code	NOMENCLATURE	No. Req.	SERIAL NUMBERS AFFECTED
37A-	35785 36830		DRAWING - Air Conditioning Compressor Installation DRAWING - Refrigerant Lines Installation		
-1	555 919		COMPRESSOR ASSEMBLY - (507)	1	
-2	452 651		BELT - Compressor (N7350)	1	
-3	63904-102		HOSE ASSEMBLY - Suction	1	
-4	99592-14		HOSE ASSEMBLY - Discharge	1	
-5	99592-15		HOSE ASSEMBLY - Discharge	1	
-6	99592-16		HOSE ASSEMBLY - Suction	1	
-7	99592-18		HOSE ASSEMBLY - Condenser to receiver dehydrator, forward	1	
-8	99592-19		HOSE ASSEMBLY - Condenser to receiver dehydrator, aft	1	
-9	451 906	A	ADAPTER - (PS10022-6-4)	2	
	561 012	B	FITTING - (FC9158-0808S)	2	
	584 258	B	REDUCER - (661FHD-8-10)	2	
-10	401 394	W	BOLT - (AN6-13A)	2	
	407 567	W	WASHER - (AN960-616)	2	
	404 890	W	NUT - (MS20365-624C)	2	
-11	67982-03		UNION - Bulkhead	1	
-12	67982-04		UNION - Bulkhead	1	
-13	401 393		BOLT - (AN6-12A)	2	
	407 567	W	WASHER - (AN960-616)	4	
	404 890	W	NUT - (MS20365-624C)	2	
-14	407 575	W	WASHER - (AN960-1416)	2	
-15	477 703		NUT - (AN924-10)	1	
-16	407 573	W	WASHER - (AN960-1216)	2	
	477 691	W	NUT - (AN924-8)	1	
-17	554 678	A	CLAMP - (PS10017-23-6)	2	

When ordering, always specify Part Number, Description and Serial Number of Aircraft

PIPER PARTS CATALOG

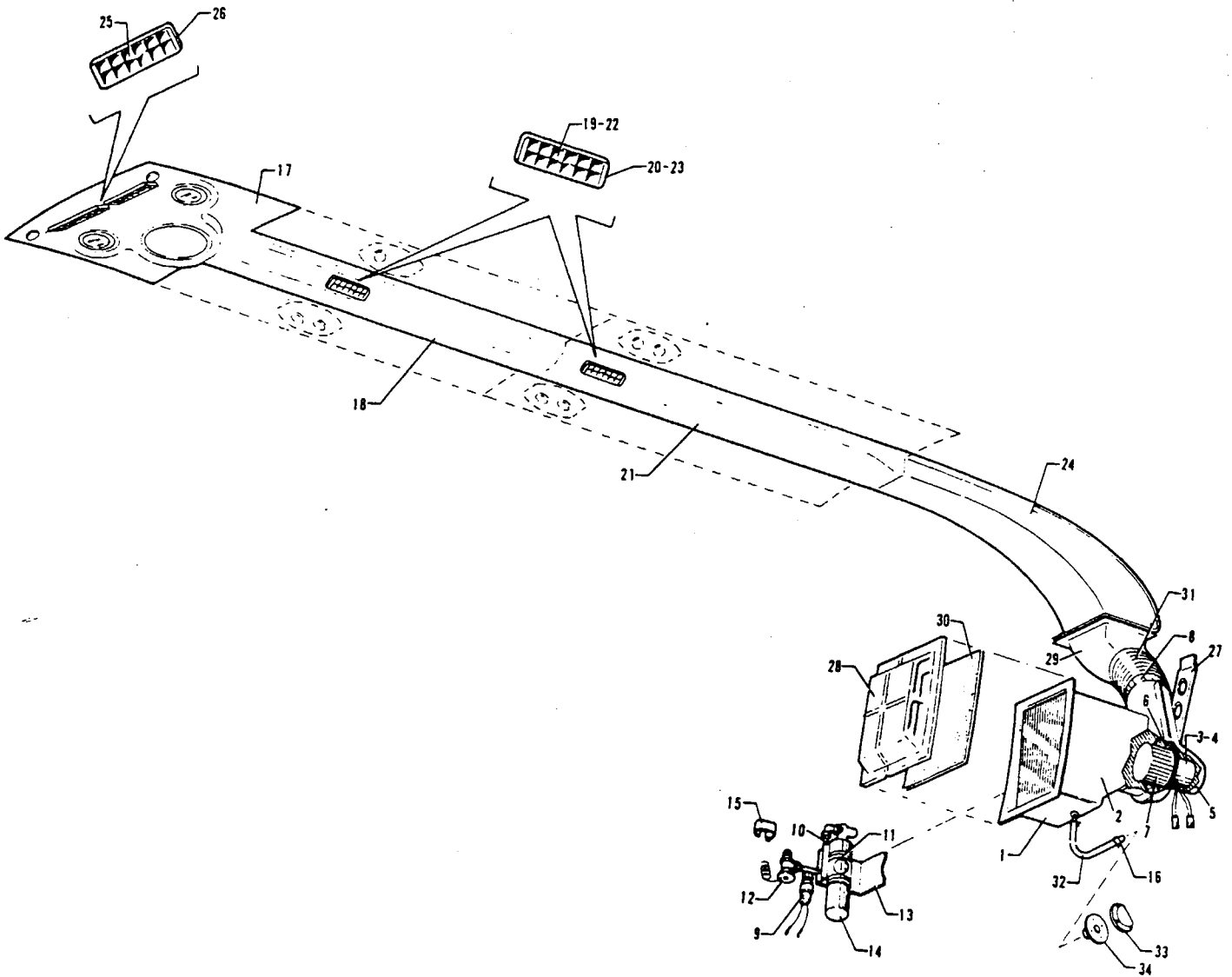


Figure 37B. Air Conditioning Duct and Evaporator Installation
(Serial Nos. 34-7970001 and up)

PIPER PARTS CATALOG

CODE EXPLANATIONS FOR FIGURE 37B

- A - If interconnect duct assembly and aft cabin bulkhead duct are bonded (not riveted) to aft cabin bulkhead, order part listed for serial nos 34-7970324 and up
- W - These parts must be ordered from Service Spares Department, Piper Aircraft, Lock Haven, Penna.

PIPER PARTS CATALOG

Figure and Index Number	Part Number	Code	NOMENCLATURE	No. Req.	SERIAL NUMBERS AFFECTED
378-	69744 69988 99292 79849		DRAWING - Air Conditioning Duct Installation DRAWING - Air Conditioning Duct Installation DRAWING - Evaporator Bulkhead Assembly DRAWING - Evaporator Bulkhead Assembly		34-7970001 to 34-7970323 incl 34-7970324 and up 34-7970001 to 34-7970323 incl. 34-7970324 and up
-1	99640-00		EVAPORATOR ASSEMBLY - Air conditioning	1	
-2	99640-03		* EVAPORATOR AND HOUSING ASSEMBLY - Air conditioning	1	
-3	99642-03		* BLOWER ASSEMBLY - Evaporator	1	
-4	475 210		* * MOTOR ASSEMBLY - Evaporator blower (UN-YY1S062)	1	
-5	37997-02		* * COVER - Evaporator blower	1	
-6	99641-00		* * PLATE ASSEMBLY - Motor mounting	1	
-7	452 935		* BLOWER - (AE424-316-1)	1	
-8	99633-00		* DUCT - Hose connect	1	
-9	99646-03		* SWITCH ASSEMBLY - Pressure	1	
-10	589 688		* LINE ASSEMBLY - Evaporator inlet (37245-6-6S)	1	
-11	554 926	W	* CLAMP - (SAE TY F-44)	2	
-12	99648-00		* VALVE ASSEMBLY - Evaporator expansion	1	
-13	99650-00		* BRACKET - Receiver dehydrator	1	
-14	484 083		* RECEIVER DEHYDRATOR - (208301)	1	
-15	99661-00		* CLAMP - Bulb, expansion valve	1	
-16	554 678		CLAMP - (PS10017-23-6)	2	
-17	69746-13		PANEL ASSEMBLY - Cabin light and air conditioning (with speaker hole)	1	34-7970001 to 34-7970323 incl
	69746-15		PANEL ASSEMBLY - Cabin light and air conditioning (without speaker hole)	1	34-7970001 to 34-7970323 incl
	69989-03		PANEL ASSEMBLY - Cabin light and air conditioning (with speaker hole)	1	34-7970324 and up
	69989-02		PANEL ASSEMBLY - Cabin light and air conditioning (without speaker hole)	1	34-7970324 and up
-18	69750-00		DUCT ASSEMBLY - Air conditioner, front	1	34-7970001 to 34-7970323 incl
	69990-02		DUCT ASSEMBLY - Air conditioner, front	1	34-7970324 and up
-19	473 187		* LOUVER - (136-1M), silver	2	
	473 195		* LOUVER - (336-1HS), black	2	
-20	461 386		* FRAME - (173M), silver	2	
	461 391		* FRAME - (173B), black	2	
-20a	406 424		* NUT - (C-2733-040-1)	8	
-21	69619-03		DUCT ASSEMBLY - Air conditioner, center	1	34-7970001 to 34-7970323 incl
	69991-02		DUCT ASSEMBLY - Air conditioner, center	1	34-7970324 and up
-22	473 187		* LOUVER - (136-1M), silver	2	
	473 195		* LOUVER - (336-1HS), black	2	
-23	461 386		* FRAME - (173M), silver	2	
	461 391		* FRAME - (173B), black	2	
-23a	406 424		* NUT - (C-2733-040-1)	8	
-24	99507-00	A	DUCT ASSEMBLY - Aft cabin bulkhead	1	34-7970001 to 34-7970323 incl
	79839-03		DUCT ASSEMBLY - Aft cabin bulkhead	1	34-7970324 and up
-25	473 187		LOUVER - (136-1M), silver	2	
	473 195		LOUVER - (336-1HS), black	2	
-26	461 386		FRAME - (173M), silver	2	
	461 391		FRAME - (173B), black	2	
-27	99539-00		SUPPORT ASSEMBLY - Evaporator box	1	
-28	99550-02		COVER - Evaporator filter	1	
-29	99634-00	A	DUCT ASSEMBLY - Interconnect	1	34-7970001 to 34-7970323 incl
	79840-04		DUCT ASSEMBLY - Interconnect	1	34-7970324 and up

When ordering, always specify Part Number, Description and Serial Number of Aircraft

PIPER PARTS CATALOG

Figure and Index Number	Part Number	Code	NOMENCLATURE	No. Req.	SERIAL NUMBERS AFFECTED
37B-30	99644-00		FILTER - Evaporator	1	
-31	63633-100		HOSE - Air conditioning	1	
-32	63913-199		HOSE - Evaporator drain	1	
-33	22482-00		SCOOP - Air conditioning	1	
-34	99609-00		VENT ASSEMBLY - Air conditioning	1	
-35	406 424		NUT - (C-2733-040-1)	8	

When ordering, always specify Part Number, Description and Serial Number of Aircraft

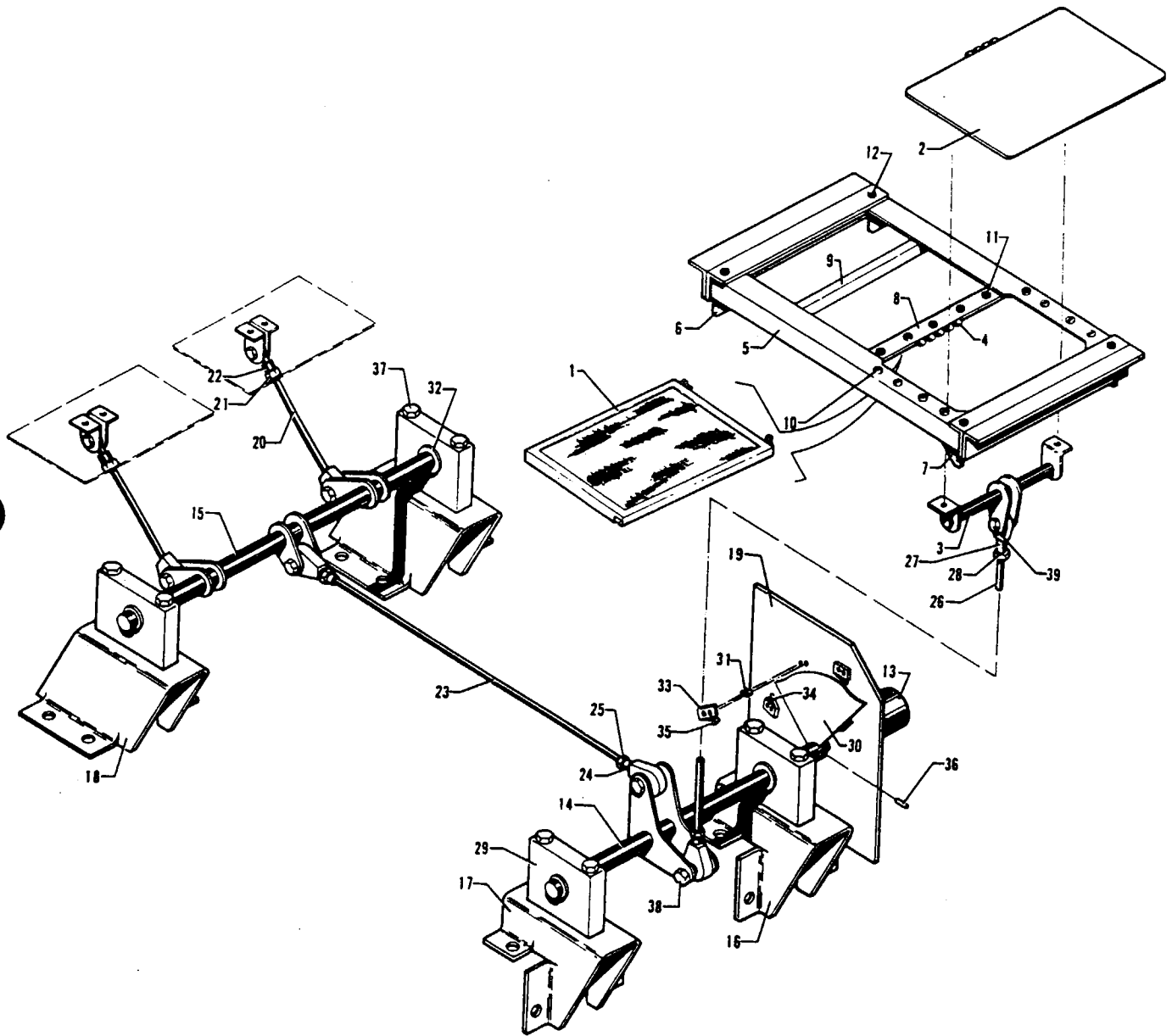


Figure 37C Air Conditioning Condenser and
Scoop Installation
(Serial Nos 34-7970001 and up)

REVISED: MAY 1983

PA-34-200T

PIPER PARTS CATALOG

CODE EXPLANATIONS FOR FIGURE 37C

W - These parts must be ordered from Service Spares Department, Piper Aircraft, Lock Haven, Penna.

PIPER PARTS CATALOG

Figure and Index Number	Part Number	Code	NOMENCLATURE	No. Req.	SERIAL NUMBERS AFFECTED
37C-	36810 36814 36819		DRAWING - Condenser Scoop Installation DRAWING - Condenser Installation DRAWING - Condenser Scoop Motor and Torque Tube Installation		
-1	555 457		CONDENSER - (1E-1415C)	1	
-2	36811-02		SCOOP ASSEMBLY - Condenser	1	
-3	36884-02		* SUPPORT ASSEMBLY - Actuator	1	
-4	36881-16		* HINGE ASSEMBLY - Condenser scoop	1	
-5	36812-02		SUPPORT ASSEMBLY - Condenser scoop, left	1	
	36812-03		SUPPORT ASSEMBLY - Condenser scoop, right	1	
-6	36812-04		BRACKET - Condenser scoop, left rear	1	
	36812-05		BRACKET - Condenser scoop, right rear	1	
-7	36812-06		BRACKET - Condenser scoop, left forward	1	
	36812-07		BRACKET - Condenser scoop, right forward	1	
-8	36813-03		SUPPORT - Scoop	1	
-9	36860-02		BAFFLE ASSEMBLY - Condenser scoop	1	
-10	584 019		RECEPTACLE - (214-16)	8	
-11	484 293		RECEPTACLE - (214-16D)	5	
-12	484 342	W	RECEPTACLE - (212-12D)	4	
-13	475 198		MOTOR - Condenser scoop (317A246)	1	
-14	36820-02		TUBE ASSEMBLY - Scoop, torque	1	
-15	36866-0		TUBE ASSEMBLY - Torque, rear	1	
-16	36822-02		SUPPORT ASSEMBLY - Torque tube motor bracket	1	
-17	36822-03		SUPPORT ASSEMBLY - Torque tube motor bracket	1	
-18	36865-02		SUPPORT ASSEMBLY - Bearing block	2	
-19	36828-02		BRACKET - Torque tube motor	1	
-20	36821-02		ROD ASSEMBLY - Condenser scoop actuating	2	
-21	452 606		* BEARING - Rod end (PS10020-16-2)	2	
-22	407 104		* WASHER - (AN935-10)	2	
	404 224	W	* NUT - (AN315-3R)	2	
-23	36867-02		ROD ASSEMBLY - Vent door actuating	1	
-24	452 334		* BEARING - Rod end (PS10020-1-6RX)	2	
-25	404 322	W	* NUT - (AN316-4R)	2	
-26	36862-02		ROD ASSEMBLY - Scoop	1	
-27	452 334		* BEARING - (PS10020-1-6RX)	1	
-28	404 322	W	* NUT - (AN316-4R)	1	
-29	36825-02		BLOCK - Torque tube bearing	4	
-30	36823-02		SLEEVE ASSEMBLY - Torque tube	1	
-31	36819-04		BUSHING	4	
-32	452 706		BEARING - (PS10065-31)	4	
-33	487 922		SWITCH - (1SE1)	4	
-34	451 835		ACTUATOR - (JE5)	2	
-35	451 823		ACTUATOR - (JE-73)	2	
-36	86092-96		PIN - Torque tube	1	
-37	401 274	W	BOLT - (AN3-15A)	8	
-38	400 441	W	BOLT - (AN3-7A)	4	
	404 887	W	NUT - (MS20365-1032C)	4	
-39	400 441	W	BOLT - (AN3-7A)	4	
	407 584	W	WASHER - (AN960-10L)	12	
	404 887	W	NUT - (MS20365-1032C)	4	

When ordering, always specify Part Number, Description and Serial Number of Aircraft

PIPER PARTS CATALOG

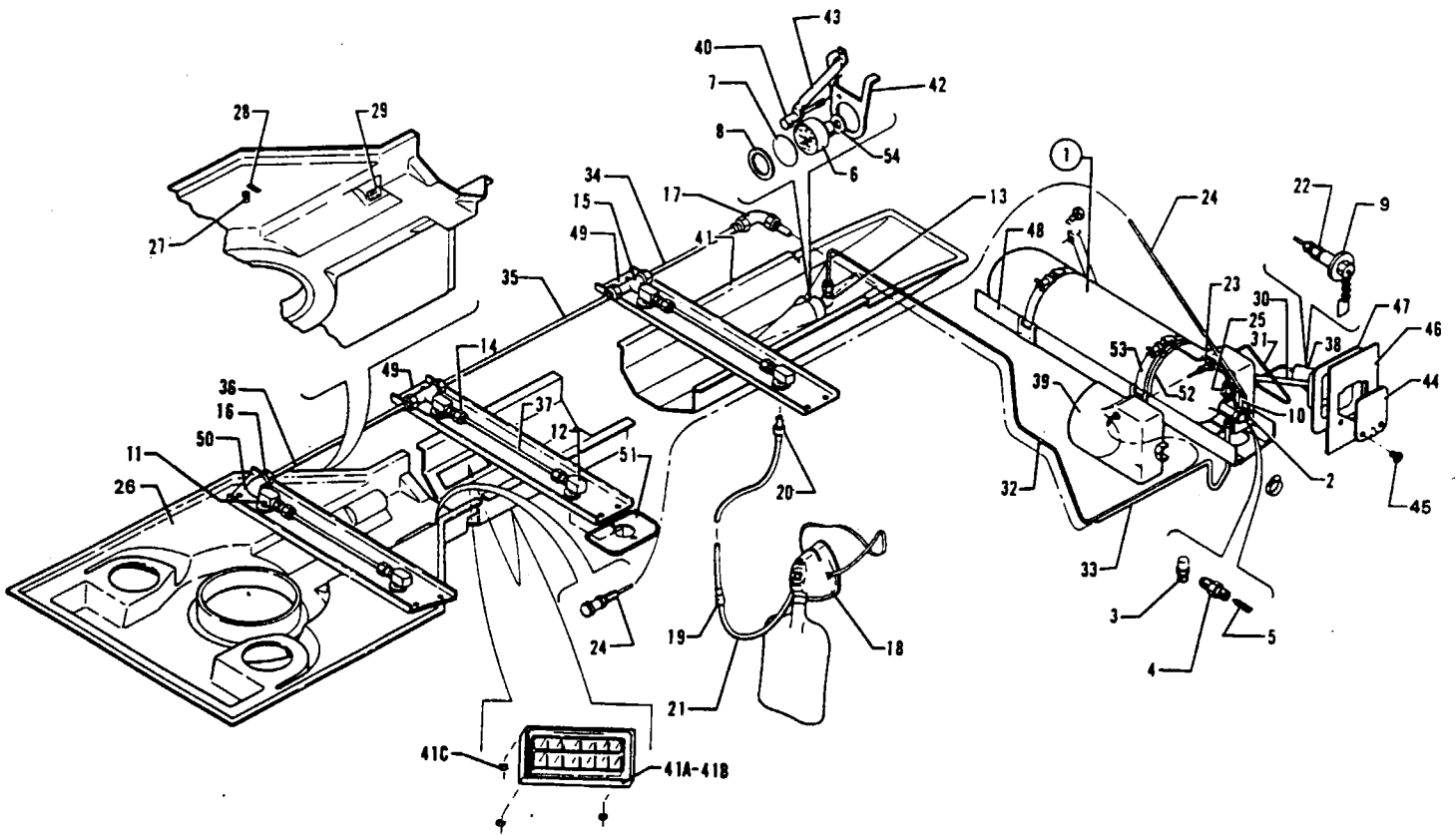


Figure 37D Oxygen System Installation (Fixed)
(Serial Nos 34-8070001 and up)

PIPER PARTS CATALOG

CODE EXPLANATIONS FOR FIGURE 37D

A - Used if Fixed Oxygen System was installed in production at Vero Beach

B - Used if Fixed Oxygen System Installation Kit 764 041 was installed in field

W - These parts must be ordered from Service Spares Department, Piper Aircraft, Lock Haven, Penna

PIPER PARTS CATALOG

Figure and Index Number	Part Number	Code	NOMENCLATURE	No. Req.	SERIAL NUMBERS AFFECTED
37D-	36960		DRAWING - Oxygen System Installation		
-1	763 312		CYLINDER AND REGULATOR ASSEMBLY - (800112-21)	1	
-2	762 584		* REGULATOR ASSEMBLY - Oxygen (800114-03)	1	
-3	756 507	W	* * RELIEF VALVE - Regulator assembly (5043-14)	1	
-4	756 505	W	* * VALVE ASSEMBLY - Charging (800216-00)	1	
-5	753 947	W	* * * CORE - Valve assembly (57524)	1	
-6	751 896	W	GAUGE ASSEMBLY - Oxygen (includes mounting bracket) (800435)	1	
-7	752 355	W	* LENS - Oxygen gauge (13753)	1	
-8	753 433	W	* BEZEL - Oxygen gauge (8808-1)	1	
-9	756 504	W	VALVE ASSEMBLY - Recharge (S26875-63)	1	
-10	753 437	W	BRACKET ASSEMBLY - Control cable (800356-00)	1	
-11	752 610		OUTLET ASSEMBLY - Right (23599-12)	3	
-12	752 609		OUTLET ASSEMBLY - Left (23599-11)	3	
-13	754 798		ELBOW - High pressure (33521-403)	1	
-14	753 944	W	CONNECTOR - Low pressure (33529-009)	6	
-15	756 301	W	TEE - Low pressure (33529-805)	2	
-16	754 761	W	ELBOW - Low pressure (33529-106)	1	
-17	754 762	W	ELBOW - Low pressure (33529-704)	1	
-18	474 124		MASK ASSEMBLY - Oxygen, sky mask (passenger) (28314-11)	4	
	474 122		MASK ASSEMBLY - Oxygen, duo-seal mask(crew)(28312-11)	1	
	761 744		MASK ASSEMBLY - Oxygen, duo-seal mask with microphone (crew)(28316-11)	1	
-19	755 122		* FLOW - Indicator (8540)	1	
-20	753 939	W	* COUPLING - Oxygen plug-in (8570-00)	1	
-21	753 074	W	* TUBING - Plastic, oxygen mask (5' length)	1	
-22	763 310		CONNECTOR - Female (33525-202)	1	
-23	762 023		TEE - (1/8" dia)(33521-002)	1	
-24	753 938	W	CABLE - Push-pull control (800177-00)	1	
-25	762 024		TUBE ASSEMBLY - High pressure (800214-06)	1	
-26	69989-07		PANEL ASSEMBLY - Overhead (without speaker hole)	1	
	69989-08		PANEL ASSEMBLY - Overhead (with speaker hole)	1	
-27	36965-02		SWITCH ASSEMBLY - Oxygen gauge light	1	
-28	35669-137		PLACARD - Oxygen gauge light	1	
-29	35669-157		PLACARD - Oxygen	1	
-30	36960-10		TUBE - Vent	1	
-31	36960-13		TUBE - High pressure	1	
-32	36960-21		TUBE - High pressure	1	
-33	36960-11		TUBE - Low pressure	1	
-34	36960-09		TUBE - Low pressure	1	
-35	36960-08		TUBE - Low pressure	1	
-36	36960-07		TUBE - Low pressure	1	
-37	36960-06		TUBE - Low pressure	3	
-38	36959-02		SHROUD ASSEMBLY - Charging valve	1	
-39	36962-02		SHROUD ASSEMBLY - Oxygen bottle, aft	1	
	36962-03		SHROUD ASSEMBLY - Oxygen bottle, forward	1	
-40	572 514		LIGHT - Bolt (5952-8ND-CW-12) (Glar-ban)	1	
-41	69991-04	A	DUCT ASSEMBLY - Oxygen gauge	1	
	69991-07	B	DUCT ASSEMBLY - Oxygen gauge	1	
-41a	473 187		* LOUVER - (136-1M), silver	2	
	473 195		* LOUVER - (336-1HS), black	2	
-41b	461 386		* FRAME - (173M), silver	2	
	461 391		* FRAME - (173B), black	2	
-41c	406 424		* NUT - (C-2733-040-1)	8	

When ordering, always specify Part Number, Description and Serial Number of Aircraft

PIPER PARTS CATALOG

Figure and Index Number	Part Number	Code	NOMENCLATURE	No. Req.	SERIAL NUMBERS AFFECTED
37D-42	36963-02		BRACKET - Gauge mount	1	
-43	36963-03	A	BRACKET - Gauge mount	1	
-44	36957-04		DOOR ASSEMBLY - Access, oxygen recharge	1	
-45	487 584	W	* STUD - (2600-2)	1	
	494 060	W	* LOCKWASHER - (2600-LW)	1	
-46	36957-05		DOUBLER - Access, oxygen recharge	1	
-47	36957-06		DISH ASSEMBLY - Access, oxygen recharge	1	
-48	36956-02		SHELF ASSEMBLY - Oxygen bottle	1	
-49	36951-02		CHANNEL - Outlet	2	
-50	36950-02		CHANNEL - Outlet, overhead panel	1	
-51	452 813		BEZEL - Oxygen outlet (A320)	4	
-52	654 119		CLAMP - (SAE TYF-116)	1	
-53	654 117		CLAMP - (C31123C-62-750-S1)	2	
-54	62833-131	B	SHIM - Oxygen gauge	1	

When ordering, always specify Part Number, Description and Serial Number of Aircraft

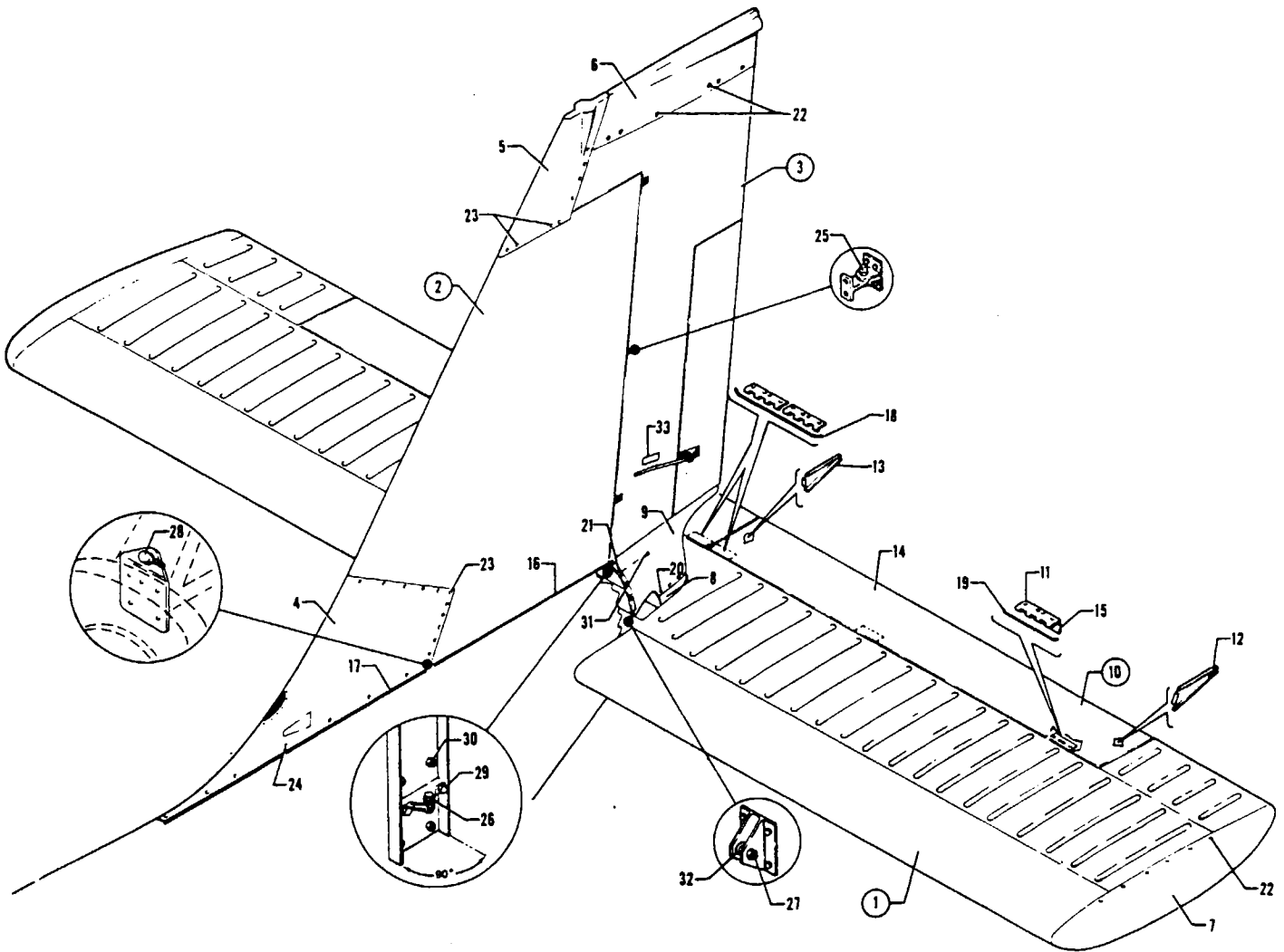


Figure 38 Tail Surfaces Installation

PIPER PARTS CATALOG

CODE EXPLANATIONS FOR FIGURE 38

- A - See Figure 39 for component parts.
- B - See Figure 40 for component parts.
- C - See Figure 41 for component parts.
- D - Used if air conditioning is installed.
- W - These parts must be ordered from Service Spares Department, Piper Aircraft, Lock Haven, Penna.

PIPER PARTS CATALOG

Figure and Index Number	Part Number	Code	NOMENCLATURE	No. Req.	SERIAL NUMBERS AFFECTED
38-	95540		DRAWING - Tail Surfaces Installation		
-1	95866-00	A	STABILATOR ASSEMBLY	1	
-2	95530-05	B	FIN ASSEMBLY	1	
-3	95520-04	C	RUDDER ASSEMBLY	1	
-4	78611-00		FIN ASSEMBLY - Dorsal	1	
	78332-00	D	FIN ASSEMBLY - Dorsal	1	34-7970001 and up
-5	95908-13		TIP ASSEMBLY - Fin	1	
-6	95907-00		FAIRING ASSEMBLY - Rudder tip	1	
-7	95620-07		TIP ASSEMBLY - Stabilator	2	
-8	96338-08		FAIRING - Tail cone, lower	1	
-9	96338-04		FAIRING - Tail cone, upper	1	
-10	95864-00		TAB ASSEMBLY - Stabilator trim, left	1	
	95864-01		TAB ASSEMBLY - Stabilator trim, right	1	
-11	95864-02		* HINGE - Half, stabilator trim tab	3	
-12	95853-00		* RIB - Stabilator trim tab, left	3	
	95853-01		* RIB - Stabilator trim tab, right	3	
-13	95853-02		* RIB - Stabilator trim tab, left	1	
	95853-03		* RIB - Stabilator trim tab, right	1	
-14	95865-00		* SKIN - Stabilator trim tab, left	1	
	95865-01		* SKIN - Stabilator trim tab, right	1	
-15	96544-00		* STIFFENER - Stabilator trim tab	3	
-16	65773-03		MOULDING - Extruded	2	
-17	63186-16		MOULDING - Extruded	1	
-18	95540-03		PIN - Hinge	1	
-19	62002-04		PIN - Hinge	4	
-20	414 467	W	SCREW - (MS24693-C51)	10	
	494 101	W	WASHER - (PS10092-1-2C)	10	
	477 640		NUT - (PS10062-5-3)	10	
-21	415 179		SCREW - (AN526C-832C)	16	
	477 640		NUT - (PS10062-5-3)	16	
-22	414 763	W	SCREW - (MS24693-S50)	36	
	494 101	W	WASHER - (PS10092-1-2C)	36	
	477 672		NUT - (PS10062-5-1)	36	
-23	414 763	W	SCREW - (MS24693-S-50)	36	
	494 101	W	WASHER - (PS10092-1-2C)	36	
-24	410 241		SCREW - (MS24694-S6)	12	
	494 101	W	WASHER - (PS10092-1-2C)	12	
-25	402 286	W	BOLT - (AN173-11A)	2	
	407 564	W	WASHER - (AN960-10)	AR	
	407 584	W	WASHER - (AN960-10L)	AR	
	404 887	W	NUT - (MS20365-1032C)	2	
-26	402 285	W	BOLT - (AN173-10A)	1	
	407 564	W	WASHER - (AN960-10)	AR	
	407 584	W	WASHER - (AN960-10L)	AR	
	404 887	W	NUT - (MS20365-1032C)	1	
-27	402 680		BOLT - (NAS1104-17)	2	
	407 565	W	WASHER - (AN960-416)	2	
	406 637		NUT - (MS21045-4)	2	
-28	400 002	W	BOLT - (AN4-5A)	1	
	407 585	W	WASHER - (AN960-416L)	1	

When ordering, always specify Part Number, Description and Serial Number of Aircraft

PIPER PARTS CATALOG

Figure and Index Number	Part Number	Code	NOMENCLATURE	No. Req.	SERIAL NUMBERS AFFECTED
38-29	553 266		BOLT - (NKN428-3-7)	2	
	404 224	W	NUT - (AN315-3R)	2	
-30	401 186	W	BOLT - (AN5-6A)	4	
	407 566	W	WASHER - (AN960-516)	8	
	404 889	W	NUT - (MS20365-524C)	4	
-31	411 514		SCREW - (MS35207-245)	16	
-32	407 585	W	WASHER - (AN960-416L)	AR	
-33	87341-02		PLACARD - Do not push	2	

When ordering, always specify Part Number, Description and Serial Number of Aircraft

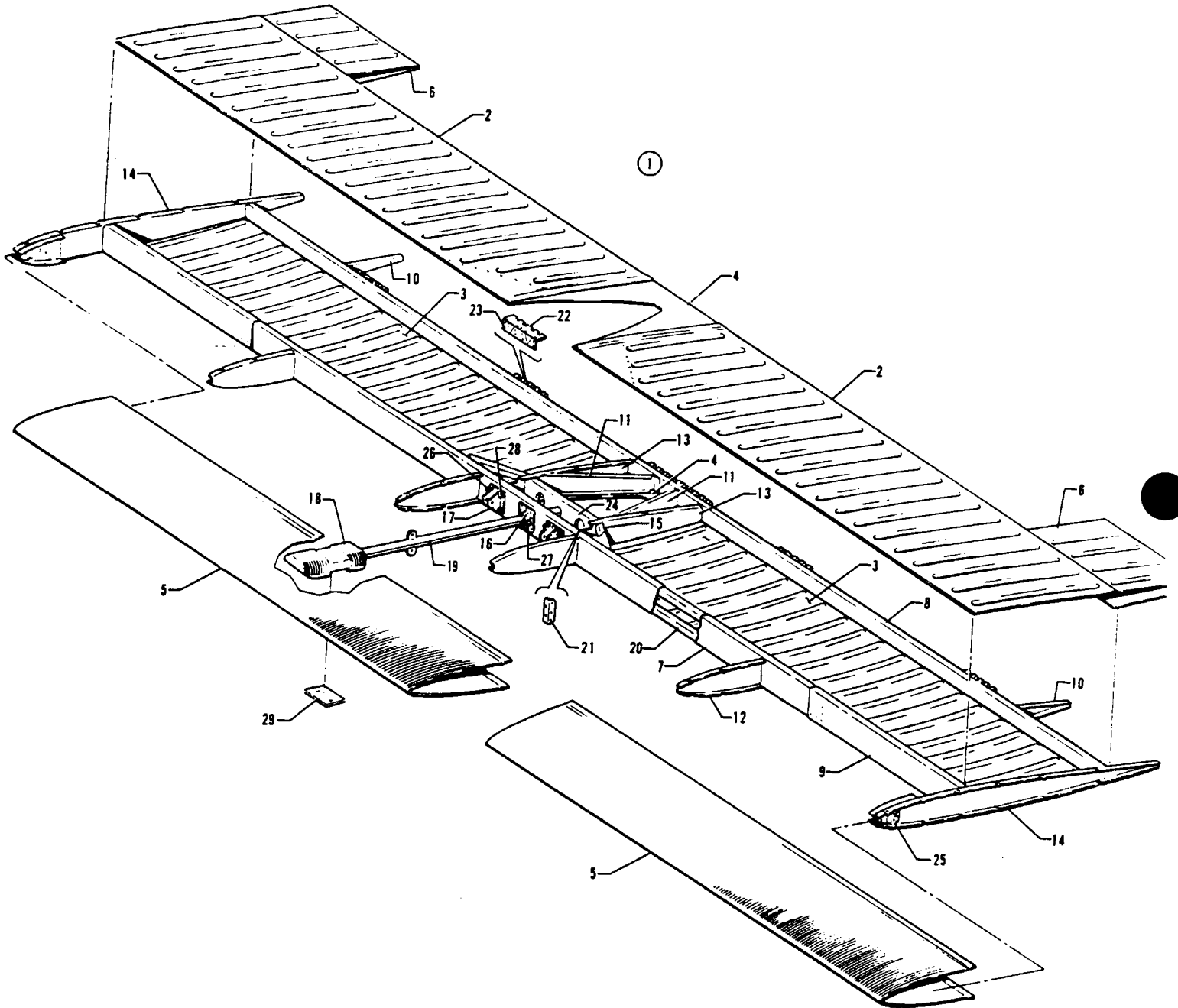


Figure 39. Stabilator Assembly

PIPER PARTS CATALOG

CODE EXPLANATIONS FOR FIGURE 39

- A - Order stabilator with Balance Weight Assembly P/N 68432-05 if Pneumatic Deicer Equipment is installed.
- B - Used if Pneumatic Deicer Equipment is installed
- W - These parts must be ordered from Service Spares Department, Piper Aircraft, Lock Haven, Penna.

PIPER PARTS CATALOG

Figure and Index Number	Part Number	Code	NOMENCLATURE	No. Req.	SERIAL NUMBERS AFFECTED
39-1	95866-00	A	STABILATOR ASSEMBLY	1	
-2	95855-00		* SKIN - Stabilator, aft top, left	1	
	95855-01		* SKIN - Stabilator, aft top, right	1	
-3	95856-00		* SKIN - Stabilator, aft bottom, left	1	
	95856-01		* SKIN - Stabilator, aft bottom, right	1	
-4	95863-00		* SKIN - Stabilator, center, top	1	
	95863-02		* SKIN - Stabilator, center, bottom	1	
-5	95860-00		* SKIN - Stabilator, leading edge, left	1	
	95860-01		* SKIN - Stabilator, leading edge, right	1	
-6	96556-00		* SKIN - Stabilator, trailing edge, left	1	
	96556-01		* SKIN - Stabilator, trailing edge, right	1	
-7	63561-05		* SPAR - Stabilator, main	1	
-8	96551-00		* SPAR - Stabilator, aft	1	
-9	95857-00		* SPAR - Stabilator, outboard, forward	2	
-10	96534-00		* RIB - Stabilator	2	
-11	96552-00		* RIB - Stabilator	2	
-12	95852-00		* RIB - Stabilator, nose	4	
-13	95859-00		* RIB - Stabilator, aft	2	
-14	96562-00		* RIB ASSEMBLY - Stabilator, end	2	
-15	63566-03		* STIFFENER - Stabilator, top, left	1	
	63566-02		* STIFFENER - Stabilator, bottom, left	1	
	63566-02		* STIFFENER - Stabilator, top, right	1	
	63566-03		* STIFFENER - Stabilator, bottom, right	1	
-16	63567-03		* FITTING - Balance weight attachment	2	
-17	63563-02		* FITTING ASSEMBLY - Stabilator hinge	2	
-18	68432-04		* BALANCE WEIGHT ASSEMBLY - Stabilator	1	
	68432-05	B	* BALANCE WEIGHT ASSEMBLY - Stabilator	1	
-19	68433-03		* TUBE ASSEMBLY - Stabilator	1	
-20	95871-00		* CAP - Stabilator, spar	2	
-21	63564-02		* ANGLE - Stabilator	2	
-22	95866-02		* HINGE - Half	6	
-23	96545-00		* STIFFENER - Stabilator hinges	6	
-24	63565-02		* CLOSURE - Stabilator	1	
-25	78176-00		* WEIGHT ASSEMBLY - Stabilator end	2	
-26	400 004	W	* BOLT - (AN4-7A)	4	
	407 565	W	* WASHER - (AN960-416)	8	
	404 888	W	* NUT - (MS20365-428)	4	
-27	400 450	W	* BOLT - (AN3-17A)	2	
	407 564	W	* WASHER - (AN960-10)	4	
	407 584	W	* WASHER - (AN960-10L)	2	
	404 887	W	* NUT - (MS20365-1032C)	2	
-28	400 003	W	* BOLT - (AN4-6A)	4	
	407 565	W	* WASHER - (AN960-416)	8	
	404 888	W	* NUT - (MS20365-428)	4	
-29	96564-00		PLATE - Stabilator balance	AR	

When ordering, always specify Part Number, Description and Serial Number of Aircraft

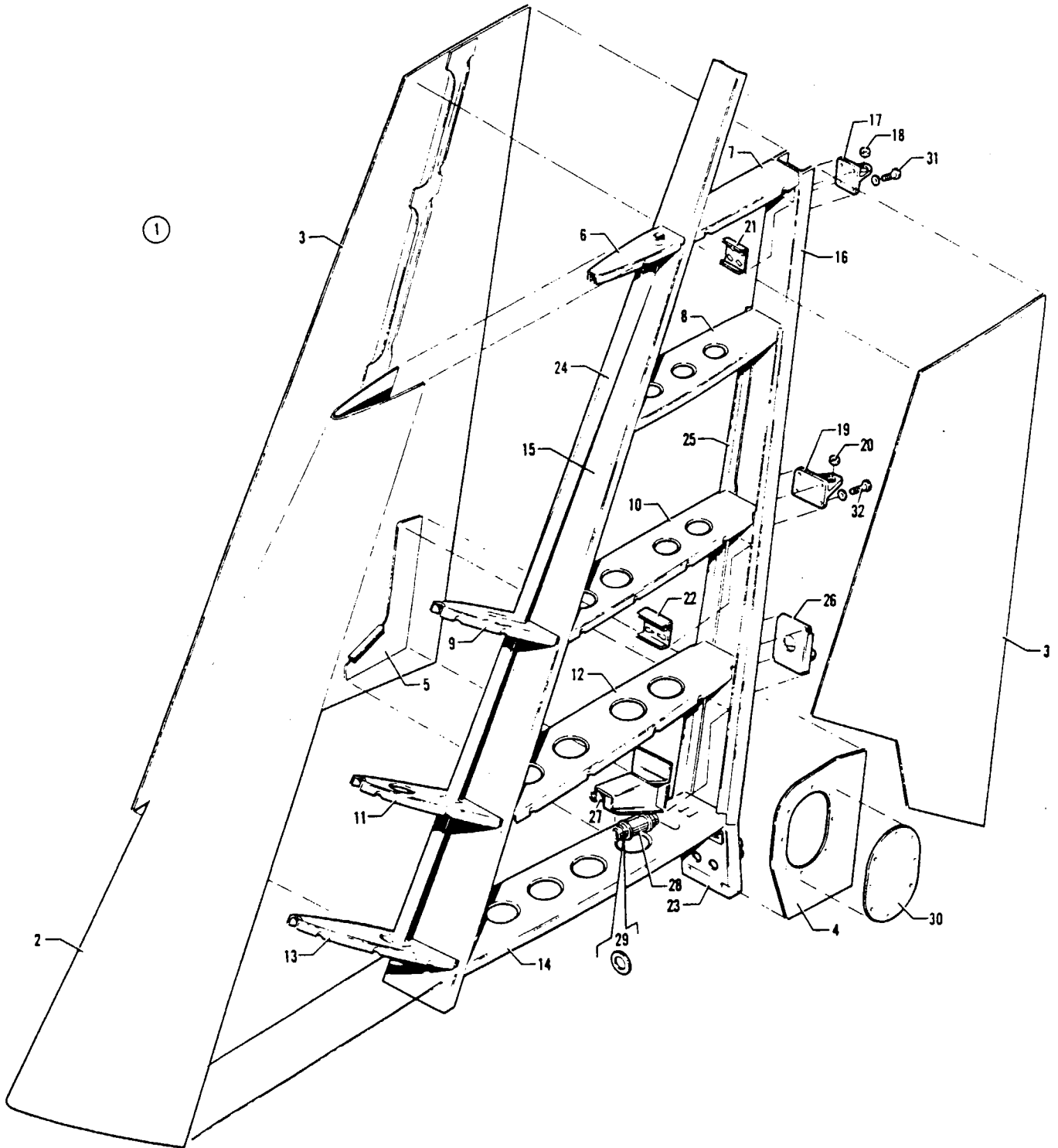


Figure 40. Fin Assembly

PIPER PARTS CATALOG

CODE EXPLANATIONS FOR FIGURE 40

W - These parts must be ordered from Service Spares Department, Piper Aircraft, Lock Haven, Penna.

PIPER PARTS CATALOG

Figure and Index Number	Part Number	Code	NOMENCLATURE	No. Req.	SERIAL NUMBERS AFFECTED
40-1	95530-05		FIN ASSEMBLY	1	
-2	95968-00		* SKIN - Leading edge, fin	1	
-3	95530-02		* SKIN ASSEMBLY - Fin, left	1	
	95530-03		* SKIN ASSEMBLY - Fin, right	1	
-4	95982-00		* * DOUBLER ASSEMBLY - Fin skin	1	
-5	95913-00		* * GUSSET - Fin root, rear	1	
-6	95532-00		* RIB ASSEMBLY - Fin, nose	1	
-7	95965-00		* RIB - Fin, rear	1	
-8	95963-00		* RIB - Fin, rear	1	
-9	95635-00		* RIB - Fin, nose	1	
-10	95964-00		* RIB - Fin, rear	1	
-11	95538-00		* RIB ASSEMBLY - Fin, nose	1	
-12	95962-00		* RIB - Fin, rear	1	
-13	95967-02		* RIB - Fin, nose	1	
-14	95531-00		* RIB ASSEMBLY - Fin, root	1	
-15	95903-00		* SPAR ASSEMBLY - Fin, forward	1	
-16	95563-02		* SPAR - Fin, rear	1	
-17	95850-00		* HINGE ASSEMBLY - Fin, upper	1	
-18	452 387		* * BEARING - (KP3A)	1	
-19	95539-00		* HINGE ASSEMBLY - Fin, lower	1	
-20	452 387		* * BEARING - (KP3A)	1	
-21	95904-00		* DOUBLER ASSEMBLY - Hinge, upper	1	
-22	95536-00		* DOUBLER ASSEMBLY - Hinge, lower	1	
-23	63501-04		* FITTING - Fin, root	1	
-24	95264-00		* CONDUIT - Fin, leading edge	1	
-25	95916-00		* STIFFENER - Rear spar, left	1	
	95916-01		* STIFFENER - Rear spar, right	1	
-26	37427-00		* BRACKET ASSEMBLY - Rudder trim	1	
-27	78652-00		* BRACKET ASSEMBLY - Rudder trim	1	
-28	96596-00		* * BARREL	1	
-29	62833-18		* * WASHER - Shim	AR	
-30	62109-00		* COVER - Fin	1	
-31	401 266	W	* BOLT - (AN3-5A)	4	
	407 584	W	* WASHER - (AN960-10L)	4	
	400 440	W	* BOLT - (AN3-6A)	4	
-32	407 584	W	* WASHER - (AN960-10L)	4	

When ordering, always specify Part Number, Description and Serial Number of Aircraft

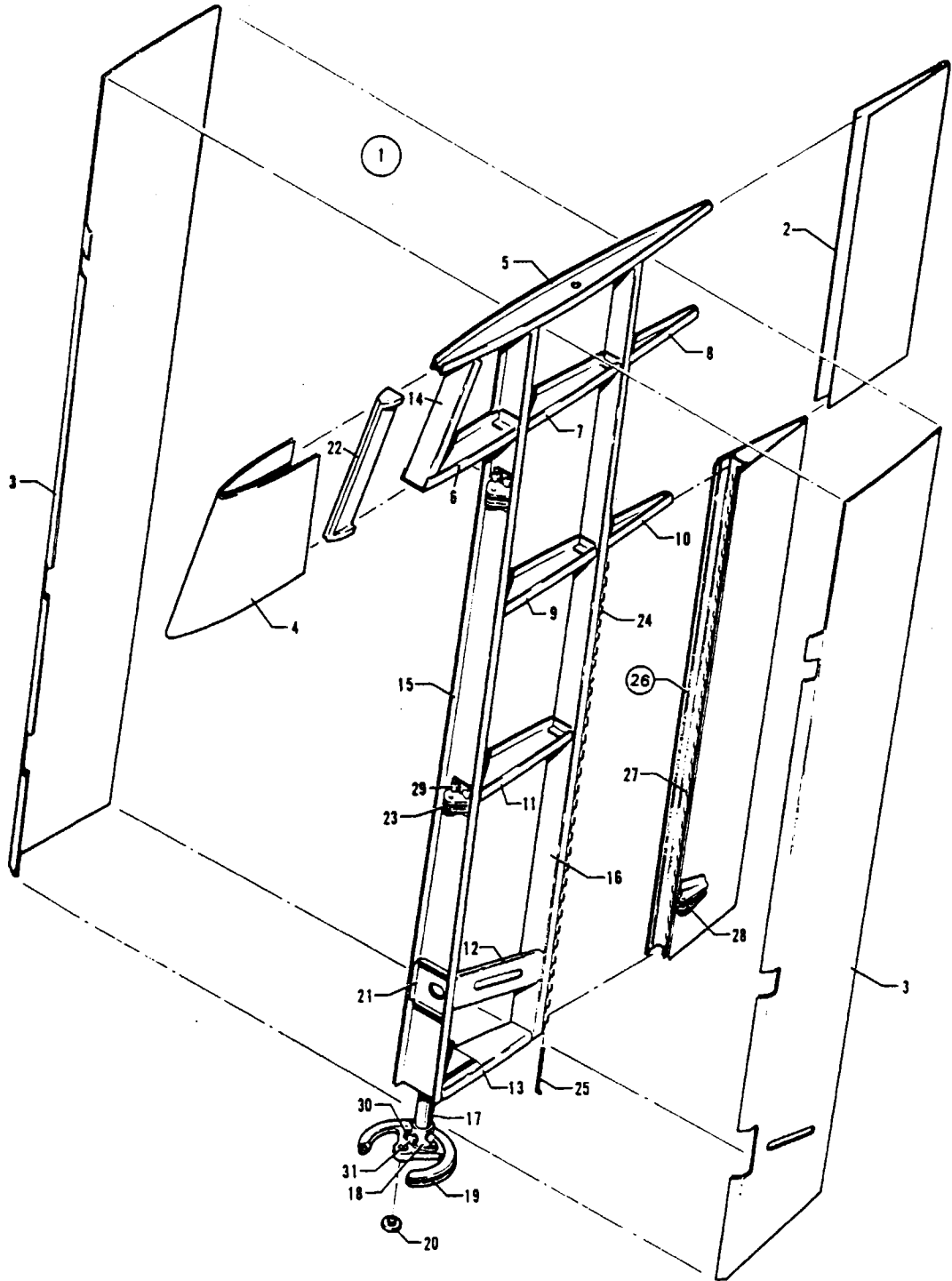


Figure 41 Rudder Assembly

PIPER PARTS CATALOG

CODE EXPLANATIONS FOR FIGURE 41

- A - Used if Rudder Torque Tube Fitting Inspection Kit, p/n 764 100v, has not been installed.
- B - Used if Rudder Torque Tube Fitting Inspection Kit, p/n 764 100v, has been installed per Service Bulletin 699.
- W - These parts must be ordered from Service Spares Department, Piper Aircraft, Lock Haven, Penna.

PIPER PARTS CATALOG

Figure and Index Number	Part Number	Code	NOMENCLATURE	No. Req.	SERIAL NUMBERS AFFECTED
41-1	95520-04		RUDDER ASSEMBLY	1	
-2	96230-00		* SKIN - Rudder, upper	1	
-3	96219-00		* SKIN - Rudder, lower, left	1	
	96229-00		* SKIN - Rudder, lower, right	1	
-4	96233-00		* SKIN - Rudder, upper, forward	1	
-5	96232-00		* RIB - Rudder, top	1	
-6	96231-00		* RIB - Rudder, nose	1	
-7	95525-00		* RIB - Rudder, center	1	
-8	96202-00		* RIB - Rudder, rear	1	
-9	95524-00		* RIB - Rudder, forward	1	
-10	96203-00		* RIB - Rudder, rear	1	
-11	95523-00		* RIB ASSEMBLY - Rudder	1	
-12	95570-00		* RIB - Trim rod doubler	1	
-13	96209-00		* RIB - Rudder, bottom	1	
-14	96234-00		* RIB ASSEMBLY - Rudder, counterbalance	1	
-15	95521-03		* SPAR ASSEMBLY - Rudder, forward	1	
-16	95522-00		* SPAR - Rudder, rear	1	
-17	96212-00		* TUBE ASSEMBLY - Torque, rudder control	1	
-18	96319-00		* FITTING - Rudder torque tube	1	
-19	96321-00		* SECTOR ASSEMBLY - Rudder torque tube	1	
-20	452 544		* * BEARING - (MS20201-KP3A)	1	
-21	96213-02		* BRACKET - Rudder	1	
-22	96235-00		* COUNTERBALANCE - Rudder	1	
-23	96217-00		* BRACKET - Rudder hinge	4	
-24	95520-02		* HINGE - Half, rudder	1	
-25	95520-03		* PIN - Hinge, rudder trim tab	1	
-26	95567-00		* TRIM TAB ASSEMBLY - Rudder	1	
-27	95520-02		* * HINGE - Half, trim tab	1	
-28	96200-00		* * BRACKET - Trim tab, bottom	1	
	96200-01		* * BRACKET - Trim tab, top	1	
-29	401 266	W	* BOLT - (AN3-5A)	8	
	407 584	W	* WASHER - (AN960-10L)	8	
-30	400 004	W	* BOLT - (AN4-7A)	2	
	407 574	W	* WASHER - (AN960PD10)	4	
	404 887	W	* NUT - (MS20365-1032C)	2	
-31	402 291	A	* BOLT - (AN173-16A)	2	
	758 551	B	* BOLT - (AN174-16A)	2	
	407 574	A,W	* WASHER - (AN960PD10)	4	
	407 588	B,W	* WASHER - (AN960-PD416L)	2	
	407 613	B,W	* WASHER - (AN960-PD416)	2	
	404 887	A,W	* NUT - (MS20365-1032C)	2	
	404 888	B,W	* NUT - (MS20365-428C)	2	

When ordering, always specify Part Number, Description and Serial Number of Aircraft

PIPER PARTS CATALOG

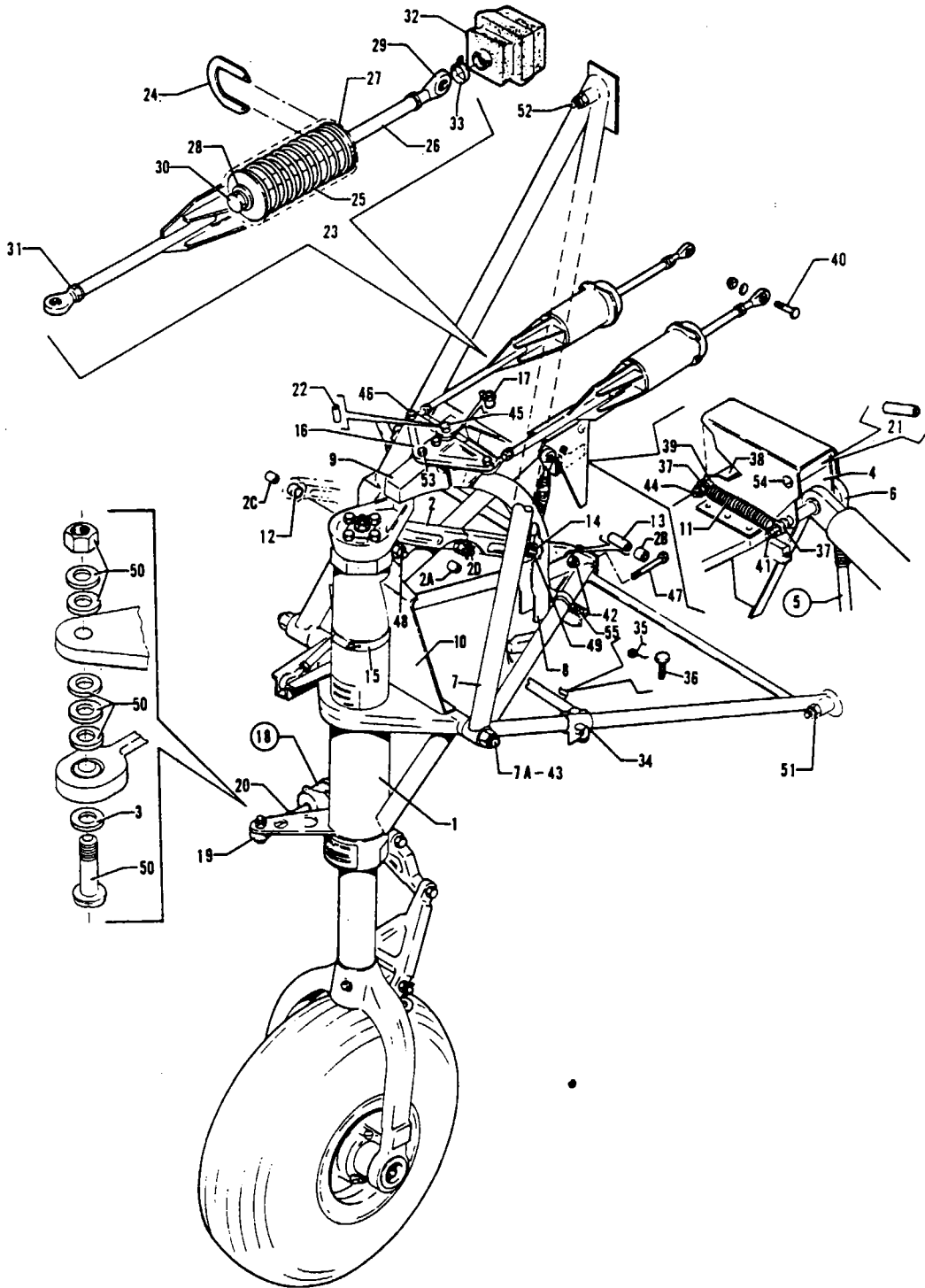


Figure 42 Nose Gear Installation

REVISED MAY 1983

PA-34-200T

PIPER PARTS CATALOG

CODE EXPLANATIONS FOR FIGURE 42

A - See Figure 43 for component parts.

W - These parts must be ordered from Service Spares Department, Piper Aircraft, Lock Haven, Penna.

PIPER PARTS CATALOG

Figure and Index Number	Part Number	Code	NOMENCLATURE	No. Req.	SERIAL NUMBERS AFFECTED
42-	95108		DRAWING - Nose Gear Installation		
-1	95713-04	A	GEAR ASSEMBLY - Nose (less tire, tube, wheel assembly and axle assembly)	1	
-2	78677-00		LINK ASSEMBLY - Drag, nose gear	1	
-2a	452 490		* BEARING - (AA-521-10)	1	
-2b	95061-32		* BUSHING - Lower drag link	1	
-2c	452 531		* BEARING - Upper drag link (AA-620-1)	1	
-2d	402 921		* BOLT - (NAS464P6-20)	1	
	407 567	W	* WASHER - (AN960-616)	1	
	404 395	W	* NUT - (AN320-6)	1	
	424 059	W	* COTTER PIN - (MS24665-283)	1	
-3	62833-123		WASHER - (56 O D)	1	
-4	95712-04		LINK ASSEMBLY - Nose gear retraction	1	
-5	95829-00		LINK ASSEMBLY - Nose gear, downlock	1	
-6	452 334		* BEARING - Rod end (PS10020-1-6RX)	1	
-7	95551-23		MOUNT ASSEMBLY - Nose gear	1	
-7a	452 534		* BEARING - (FF-604-1)	1	
-8	95759-07		TRACK ASSEMBLY - Nose gear	1	
-9	95394-00		CHANNEL ASSEMBLY - Steering	1	
-10	95313-00		PANEL ASSEMBLY - Anti-splash	1	
-11	96178-00		SPRING - Nose gear, downlock	1	
-12	95061-29		BUSHING	1	
-13	95061-30		BUSHING	1	
-14	95061-31		BUSHING	1	
-15	554 769		CLAMP - (GS-52SS)	1	
-16	95395-00		ARM ASSEMBLY - Steering	1	
-17	452 540		* BEARING - Flanged (FF-520-10)	2	
-18	96522-00		SPRING ASSEMBLY - Nose gear centering	1	
-19	452 552		* BEARING - (PS10020-2-3RX)	1	
-20	404 322	W	* NUT - (AN316-4R)	1	
-21	95061-89		BUSHING	1	
-22	95061-28		BUSHING	1	
-23	78543-00		BUNGEE ASSEMBLY - Nose wheel	2	
-24	78541-00		* RETAINER	1	
-25	78490-00		* SPRING	1	
-26	78537-00		* TUBE ASSEMBLY - Bungee	1	
-27	62833-92		* WASHER	2	
-28	62833-89		* WASHER	1	
-29	452 334		* BEARING - (PS10020-1-6RX)	2	
-30	553 172		* BOLT - (LP12VO48H14)	1	
	407 136	W	* WASHER - (AN936-A416)	1	
-31	404 225	W	* NUT - (AN315-4R)	2	
	407 136	W	* WASHER - (AN936-A416)	2	
-32	78334-00		BOOT - Bungee	2	
-33	454 818	W	CLAMP - (SAE TY F-32)	2	
-34	96849-00		STOP ASSEMBLY - Nose gear up	1	
-35	96867-00		* SPRING - Switch bracket return	1	
-36	96859-00		* STOP ASSEMBLY - Nose gear bumper (5/16-24 thread)	1	
	37970-02		* STOP ASSEMBLY - Nose gear bumper (5/16-18 thread)	1	
-37	95061-20		BUSHING	2	
-38	95061-24		BUSHING	1	
-39	95061-25		BUSHING	1	
-40	401 269	W	BOLT - (AN3-10A)	2	
	407 564	W	WASHER - (AN960-10)	2	
	404 887	W	NUT - (MS20365-1032C)	2	

When ordering, always specify Part Number, Description and Serial Number of Aircraft

PIPER PARTS CATALOG

Figure and Index Number	Part Number	Code	NOMENCLATURE	No. Req.	SERIAL NUMBERS AFFECTED
42-41	400 890		BOLT - (AN23-40A)	1	
	407 564	W	WASHER - (AN960-10)	5	
	407 584	W	WASHER - (AN960-10L)	2	
	404 887	W	NUT - (MS20365-1032C)	1	
-42	401 194	W	BOLT - (AN5-16A)	1	
	407 566	W	WASHER - (AN960-516)	2	
	404 889	W	NUT - (MS20365-524C)	1	
-43	400 322		BOLT - (AN8-45)	2	
	407 569	W	WASHER - (AN960-816)	AR	
	78034-00		WASHER - (Under bolt head)	2	
	404 105	W	NUT - (AN310-8)	2	
	424 085		COTTER PIN - (MS24665-302)	2	
-44	400 886		BOLT - (AN23-34A)	1	
	407 584	W	WASHER - (AN960-10L)	2	
	404 835	W	NUT - (MS20364-1032C)	1	
-45	400 009	W	BOLT - (AN4-14A)	1	
	407 565	W	WASHER - (AN960-416)	1	
	404 888	W	NUT - (MS20365-428C)	1	
-46	400 443	W	BOLT - (AN3-12A)	2	
	407 564	W	WASHER - (AN960-10)	4	
	404 887	W	NUT - (MS20365-1032C)	2	
-47	401 421	W	BOLT - (AN6-41A)	1	
	407 567	W	WASHER - (AN960-616)	1	
	477 887		NUT - (PS10062-8-624C)	1	
-48	400 274	W	BOLT - (AN7-35)	1	
	407 591	W	WASHER - (AN960-716L)	1	
	407 568	W	WASHER - (AN960-716)	AR	
	404 396	W	NUT - (AN320-7)	1	
	424 085		COTTER PIN - (MS24665-302)	1	
-49	400 692	W	BOLT - (AN23-30)	1	
	407 564	W	WASHER - (AN960-10)	1	
	404 100	W	NUT - (AN310-3)	1	
	424 051	W	COTTER PIN - (MS24665-132)	1	
-50	400 910		BOLT - (AN24-20A)	1	
	407 565	W	WASHER - (AN960-416)	5	
	404 836	W	NUT - (MS20364-428C)	1	
-51	401 404	W	BOLT - (AN6-24A)	2	
	407 567	W	WASHER - (AN960-616)	2	
	477 887		NUT - (PS10062-8-624C)	2	
-52	401 520		BOLT - (AN7-26A)	1	
	407 568	W	WASHER - (AN960-716)	1	
	404 891	W	NUT - (MS20365-720C)	1	
-53	400 004	W	BOLT - (AN4-7A)	2	
	407 565	W	WASHER - (AN960-416)	AR	
	407 585	W	WASHER - (AN960-416L)	AR	
	404 888	W	NUT - (MS20365-428C)	2	
-54	400 684		BOLT - (AN23-25)	1	
	407 584	W	WASHER - (AN960-10L)	1	
	407 565	W	WASHER - (AN960-416)	2	
	404 392	W	NUT - (AN320-3)	1	
	424 052	W	COTTER PIN - (MS24665-134)	1	
-55	96790-02		ANGLE ASSEMBLY - Nose gear track	1	

When ordering, always specify Part Number, Description and Serial Number of Aircraft

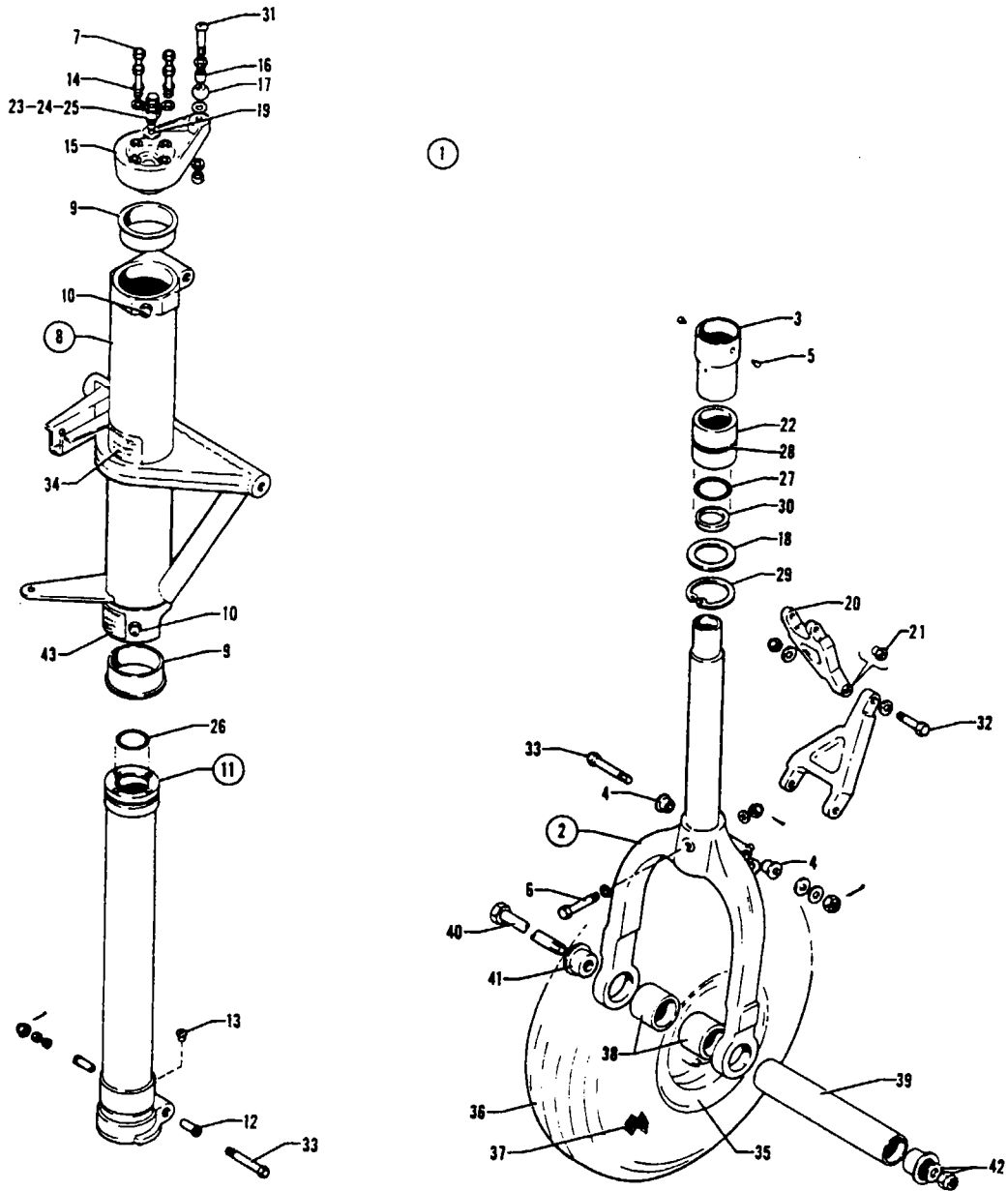


Figure 43. Nose Gear Assembly

PIPER PARTS CATALOG

CODE EXPLANATIONS FOR FIGURE 43

- A - See Figure 44 for component parts.
- B - Used if heavy duty brakes, wheels and tires are installed.
- C - See Figure 44A for component parts
- D - Used with Cleveland 40-76F and 40-56B Wheel Assemblies only.
- E - Used with McCauley Model D-30625 and D-30665 Wheel Assembly only.
- W - These parts must be ordered from Service Spares Department, Piper Aircraft, Lock Haven, Penna.

PIPER PARTS CATALOG

Figure and Index Number	Part Number	Code	NOMENCLATURE	No. Req.	SERIAL NUMBERS AFFECTED
43-	95108		DRAWING - Nose Gear Installation		
-1	95713-04		GEAR ASSEMBLY - Nose (less tire, tube, wheel assembly and axle assembly)	1	
-2	95727-00		* FORK ASSEMBLY - Nose gear	1	
-3	95715-00		* * BEARING - Nose gear strut tube, upper	1	
-4	67026-07		* * BUSHING - Nose gear	2	
-5	20784-00	W	* * PIN - Bearing retainer	2	
-6	400 019	W	* * BOLT - (AN4-26A)	1	
	407 683	W	* * WASHER - (AN960-C416L)	2	
	404 888	W	* * NUT - (MS20365-428C)	1	
-7	401 304		* BOLT - (AN4H-11A)	4	
	407 565	W	* WASHER - (AN960-416)	4	
-8	95723-05		* TRUNNION ASSEMBLY - Nose gear	1	
-9	67758-00		* * BUSHING - Shoulder	2	
-10	460 686		* * FITTING - Lubrication (MS15002-1)	2	
-11	95720-00		* TUBE ASSEMBLY - Nose gear strut, upper	1	
-12	452 448		* * BEARING - (FF-411-4)	2	
-13	452 331	W	* * BEARING - (FF-310-3)	1	
-14	467 116		* * INSERT - Helicoil (MS124696)	4	
-15	78535-00		* TILLER - Nose gear	1	
-16	95061-27		* BUSHING - Tiller	1	
-17	95387-00		* ROLLER ASSEMBLY	1	
-18	80122-88	W	* WASHER	1	
-19	462 024	W	* GASKET - Air valve	1	
-20	67012-00		* LINK ASSEMBLY - Nose gear torque	2	
-21	751 369	W	* * BUSHING - Landing gear strut	1	
-22	67755-00		* BEARING - Nose gear strut tube, lower	1	
-23	455 124	W	* CORE - Air valve (AN809-1)	1	
-24	453 124	W	* BODY - Air valve (AN812-1)	1	
-25	454 053	W	* CAP - Air valve (AN813-1B)	1	
-26	484 693		* "O" RING - (MS28775-220)	1	
-27	484 799		* "O" RING - (MS28775-327)	1	
-28	484 797		* "O" RING - (MS28775-227)	1	
-29	484 685		* RING - Snap (N5000-250MD)	1	
-30	187 627		* RING - Wiper (S35-29, Code 10V90-117)	1	
-31	400 921	W	* BOLT - (AN24-31A)	1	
	407 565	W	* WASHER - (AN960-416)	AR	
	407 585	W	* WASHER - (AN960-416L)	AR	
	404 888	W	* NUT - (MS20365-428C)	1	
-32	402 313	W	* BOLT - (AN174-13)	1	
	407 565	W	* WASHER - (AN960-416)	2	
	404 101	W	* NUT - (AN310-4)	1	
	424 052	W	* COTTER PIN - (MS24665-134)	1	
-33	402 344	W	* BOLT - (AN175-32)	2	
	407 566	W	* WASHER - (AN960-516)	4	
	404 102	W	* NUT - (AN310-5)	2	
	424 052	W	* COTTER PIN - (MS24665-134)	2	
-34	96274-00		* PLACARD - Nose gear, oleo service instructions	1	

When ordering, always specify Part Number, Description and Serial Number of Aircraft

PIPER PARTS CATALOG

Figure and Index Number	Part Number	Code	NOMENCLATURE	No. Req.	SERIAL NUMBERS AFFECTED
43-35	551 766	A	WHEEL ASSEMBLY - Nose (40-76F) Cleveland	1	
	551 785	A	WHEEL ASSEMBLY - Nose (40-56B) Cleveland	1	
	551 773	C	WHEEL ASSEMBLY - Nose (D-30625) McCauley	1	34-7570001 to 34-7870190 incl
	551 779	C	WHEEL ASSEMBLY - Nose (D-30665) McCauley	1	34-7870191 and up
-36	761 995	W	TIRE - (6 00 x 6, 6 ply) McCreary Airhawk	1	
	761 972	W	TIRE - (6.00 x 6, 6 ply) B. F. Goodrich	1	
	761 975	B,W	TIRE - (6.00 x 6, 8 ply) B. F. Goodrich (heavy duty)	1	
	761 996	B,W	TIRE - (6.00 x 6, 8 ply) McCreary Airhawk (heavy duty)	1	
-37	451 735	W	TUBE - (6 00 x 6)	1	
-38	66618-03	D,W	TUBE - Nose wheel spacer	2	
	66618-02	E	TUBE - Nose wheel spacer	2	
-39	86062-86	W	AXLE - Nose gear wheel	1	
-40	401 456		BOLT - Axle (AN6-76A)	1	
-41	35158-02		PLUG - Wheel end	2	
-42	407 567	W	WASHER - (AN960-616)	2	
	404 838	W	NUT - (MS20364-624C)	1	
-43	35669-26		PLACARD - Caution	1	

When ordering, always specify Part Number, Description and Serial Number of Aircraft

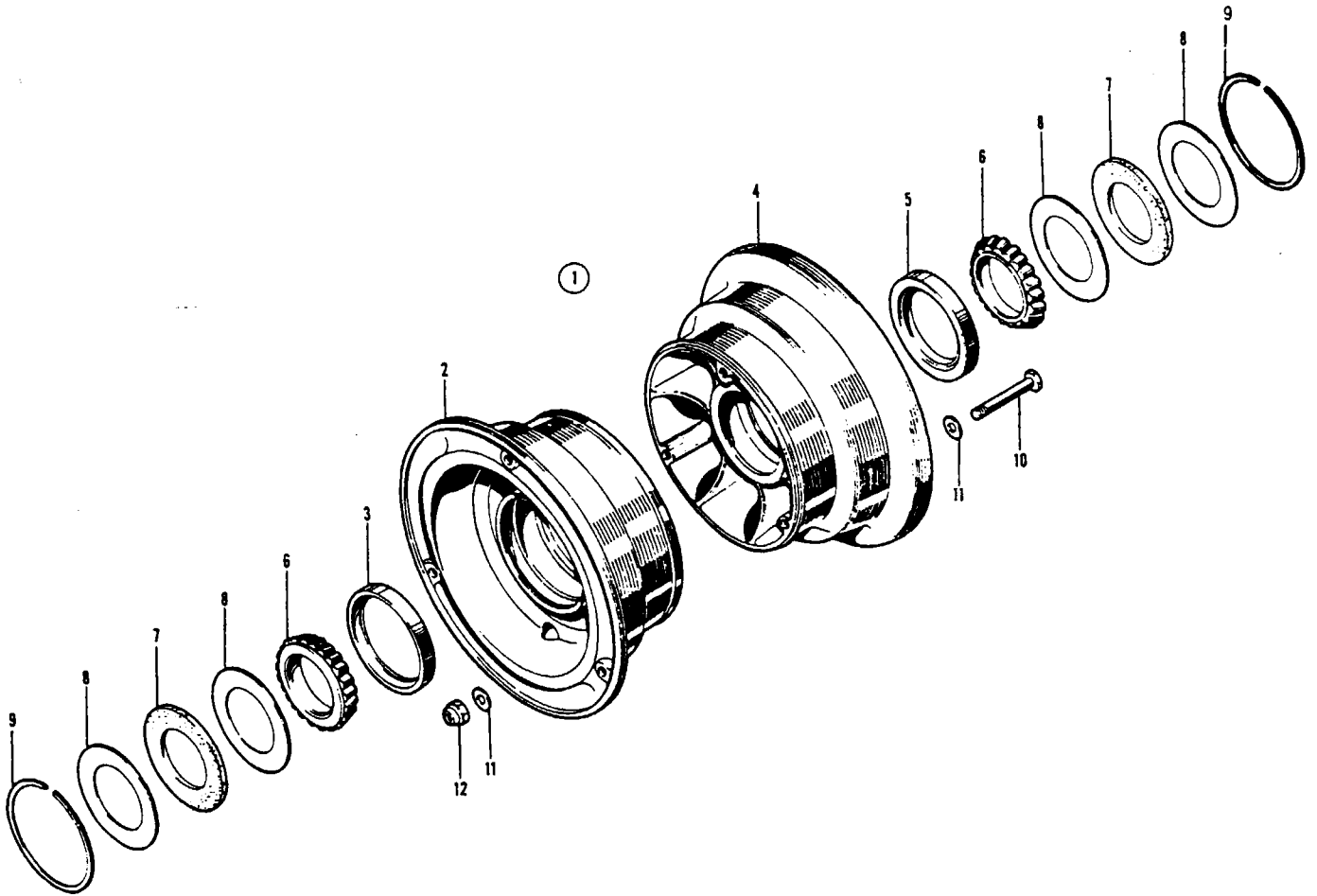


Figure 44. Nose Wheel Assembly (Cleveland)

PIPER PARTS CATALOG

CODE EXPLANATIONS FOR FIGURE 44

- A - Used on Model 40-76F Wheel Assembly only
- B - Used on Model 40-56B Wheel Assembly only.
- W - These parts must be ordered from Service Spares Department, Piper Aircraft, Lock Haven, Penna.

PIPER PARTS CATALOG

Figure and Index Number	Part Number	Code	NOMENCLATURE	No. Req.	SERIAL NUMBERS AFFECTED
44-1	551 766		WHEEL ASSEMBLY - Nose (40-76F)	1	
	551 785		WHEEL ASSEMBLY - Nose (40-56B)	1	
-2	756 665	A	* WHEEL HALF ASSEMBLY - Outer (162-45) with valve hole	1	
	763 718	B	* WHEEL HALF ASSEMBLY - Outer (162-69) with valve hole	1	
-3	751 494	A,W	* * CUP - Bearing (13836)	1	
	763 287	B	* * CUP - Bearing (LM29710)	1	
-4	756 666	A	* WHEEL HALF ASSEMBLY - Inner (161-47)	1	
	763 719	B	* WHEEL HALF ASSEMBLY - Inner (161-74)	1	
-5	751 494	A,W	* * CUP - Bearing (13836)	1	
	763 287	B	* * CUP - Bearing (LM29710)	1	
-6	751 489	A,W	* BEARING - Cone (13889)	2	
	753 448	B,W	* BEARING - Cone (LM29749)	2	
-7	751 819	W	* FELT - Grease seal (154-14)	2	
-8	755 964	W	* RING - Grease seal (153-9)	4	
-9	752 830	W	* RING - Snap (3023)	2	
-10	751 405	A,W	* BOLT - (AN5-35A)	3	
	758 456	B	* BOLT - (AN5-34A)	3	
-11	407 566	W	* WASHER - (AN960-516)	6	
-12	404 889	W	* NUT - (AN365-524)	3	

When ordering, always specify Part Number, Description and Serial Number of Aircraft

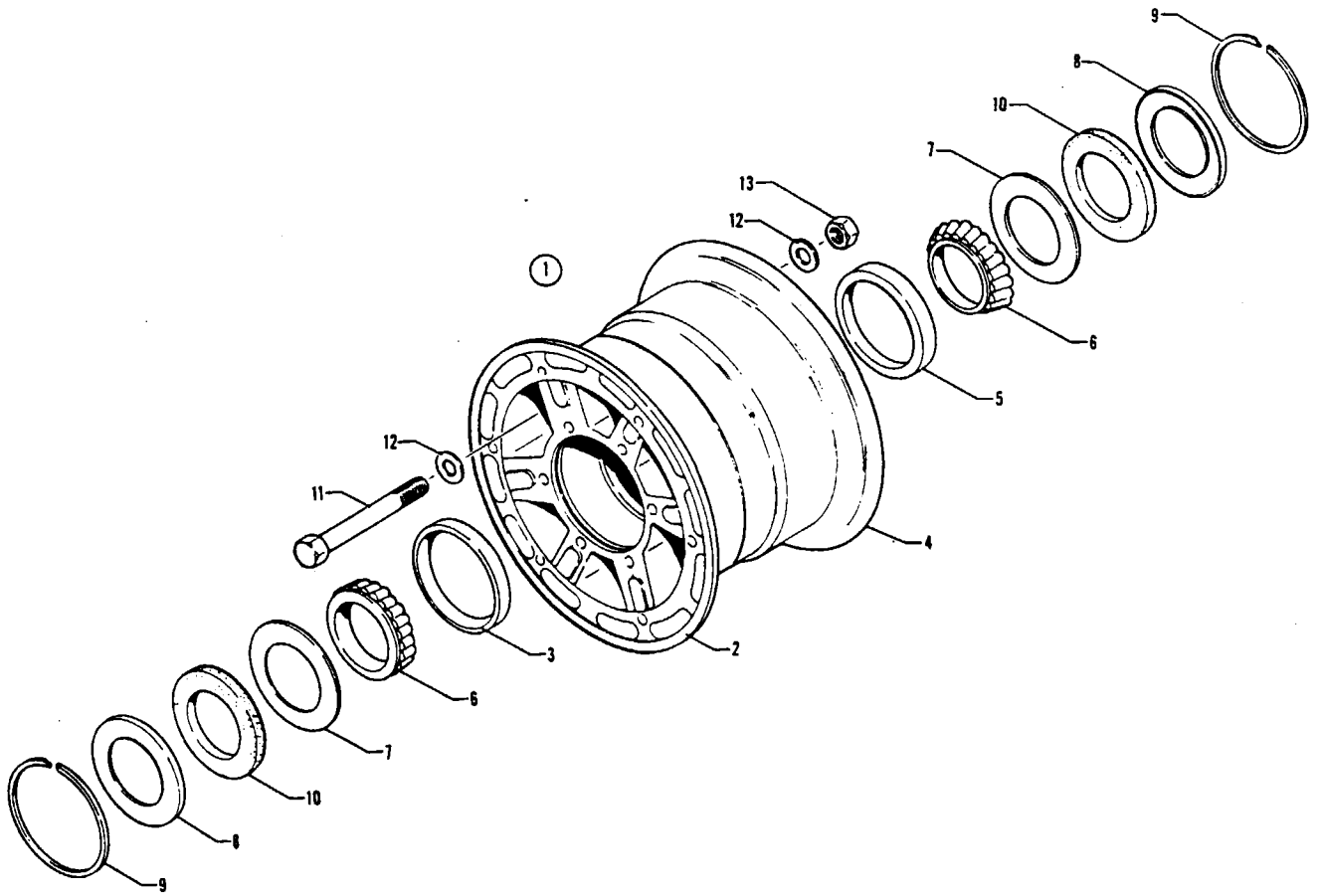


Figure 44A. Nose Wheel Assembly (McCauley)

ADDED: FEBRUARY 1977

1J15

PA-34-200T

PIPER PARTS CATALOG

CODE EXPLANATIONS FOR FIGURE 44A

- A - Used on Model D-30625 Wheel Assembly only.
- B - Used on Model D-30665 Wheel Assembly only.
- W - These parts must be ordered from Service Spares Department, Piper Aircraft, Lock Haven, Penna.

PIPER PARTS CATALOG

Figure and Index Number	Part Number	Code	NOMENCLATURE	No. Req.	SERIAL NUMBERS AFFECTED
44A-1	551 773		WHEEL ASSEMBLY - Nose (D-30625)	1	34-7570001 to 34-7870190 incl.
	551 779		WHEEL ASSEMBLY - Nose (D-30665)	1	34-7870191 and up
-2	756 688	A	WHEEL - Half, inner (C-30608)	1	
	763 712	B	WHEEL - Half, inner (D-30667)	1	
-3	763 216		CUP - Bearing (A-30079-1)	1	
-4	756 687	A	WHEEL - Half, outer (C-30605)	1	
	763 713	B	WHEEL - Half, outer (D-30657)	1	
-5	763 216		CUP - Bearing (A-30079-1)	1	
-6	758 392		BEARING - Cone (A-30079-2)	2	
-7	762 559		RETAINER - (A-30015)	2	
-8	762 558	W	RETAINER - (A-30014)	2	
-9	762 562		RING - Retainer (A-1636-24)	2	
-10	754 855		FELT - Retainer (A-30010)	2	
-11	758 394		BOLT - (A-2513-75)	3	
-12	756 685		WASHER - (A-1638-1)	6	
-13	752 571		NUT - (A-1639-1)	3	

When ordering, always specify Part Number, Description and Serial Number of Aircraft

PIPER PARTS CATALOG

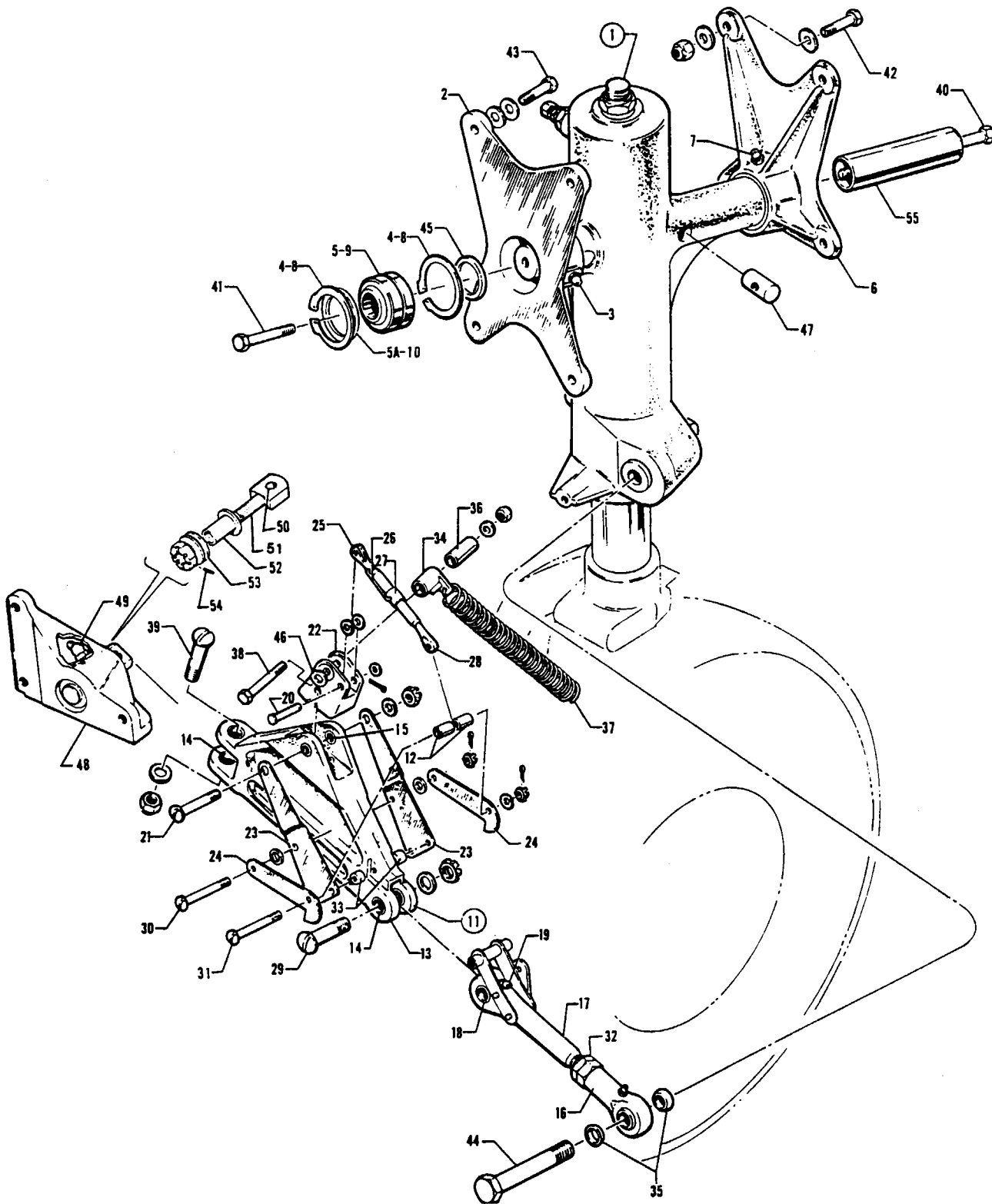


Figure 45 Main Gear Installation

REVISED: MAY 1983

PA-34-200T

1J18

Island Enterprises

PIPER PARTS CATALOG

CODE EXPLANATIONS FOR FIGURE 45

- A - See Figure 46 for component parts
- B - Used with 9/16" O D stud only
- C - Used with 5/8" O D stud only
- W - These parts must be ordered from Service Spares Department, Piper Aircraft, Lock Haven, Penna

PIPER PARTS CATALOG

Figure and Index Number	Part Number	Code	NOMENCLATURE	No. Req	SERIAL NUMBERS AFFECTED
45-	95912 78724		DRAWING - Main Gear Installation DRAWING - Main Gear Installation		34-7570001 to 34-7670324 incl 34-7670325 and up
-1.	96766-16	A	GEAR ASSEMBLY - Main, left (less tire, tube, wheel and brake assembly)	1	34-7570001 to 34-7670324 incl
	96766-17	A	GEAR ASSEMBLY - Main, right (less tire, tube, wheel and brake assembly)	1	34-7570001 to 34-7670324 incl
	78723-14	A	GEAR ASSEMBLY - Main, left (less tire, tube, wheel and brake assembly)	1	34-7670325 and up
	78723-13	A	GEAR ASSEMBLY - Main right (less tire, tube, wheel and brake assembly)	1	34-7670325 and up
-2	67040-12		FITTING ASSEMBLY - Forward trunnion, left	1	
	67040-13		FITTING ASSEMBLY - Forward trunnion, right	1	
-3	460 691	W	* FITTING - Lubricator (AN944-101)	1	
-4	484 719	W	* RING - Retainer (5008-175)	2	
-5	452 575		* BEARING - Spherical (PS10020-10-2)	1	
-5a	62833-44		* SPACER	AR	
-6	67042-12		FITTING ASSEMBLY - Aft trunnion	2	
-7	460 691	W	* FITTING - Lubricator (AN944-101)	1	
-8	484 719	W	* RING - Retainer (5008-175)	2	
-9	452 575		* BEARING - Spherical (PS10020-10-2)	1	
-10	62833-44		* SPACER	AR	
-11	67025-05		TRUSS ASSEMBLY - Main gear, left	1	34-7570001 to 34-7670324 incl
	67025-06		TRUSS ASSEMBLY - Main gear, right	1	34-7570001 to 34-7670324 incl
	78721-02		TRUSS ASSEMBLY - Main gear, left	1	34-7670325 and up
	78721-03		TRUSS ASSEMBLY - Main gear, right	1	34-7670325 and up
-12	63900-130		* BUSHING - Main gear truss assembly	2	
-13	67025-02		* LINK ASSEMBLY - Main gear truss assembly	1	
-14	14843-16	W	* * BUSHING - Main gear truss assembly	4	
-15	63900-89		* * BUSHING - Main gear truss assembly	2	
-16	452 368		* BEARING - Main gear truss assembly (HFX-8G)	1	34-7570001 to 34-7670324 incl
	78722-02		* BEARING - Main gear truss assembly	1	34-7670325 and up
-17	67797-04		* LINK ASSEMBLY - Main gear truss assembly, left	1	34-7570001 to 34-7670324 incl
	67797-05		* LINK ASSEMBLY - Main gear truss assembly, right	1	34-7570001 to 34-7670324 incl
	78720-02		* LINK ASSEMBLY - Main gear truss assembly, left	1	34-7670325 and up
	78720-03		* LINK ASSEMBLY - Main gear truss assembly, right	1	34-7670325 and up
-18	65003-44		* * BUSHING - Main gear truss assembly	2	
-19	460 860	W	* FITTING - Lubricator (MS15001-2)	1	
-20	424 181		* PIN - Flat head (MS20392-2C25)	1	
	407 584	W	* WASHER - (AN960-10L)	3	
	424 051	W	* COTTER PIN - (MS24665-132)	1	
-21	400 711	W	* BOLT - (AN24-26)	1	
	407 565	W	* WASHER - (AN960-416)	1	
	404 393	W	* NUT - (AN320-4)	1	
	424 051	W	* COTTER PIN - (MS24665-132)	1	
-22	67031-02		* FITTING - Gear retraction, left	1	
	67031-03		* FITTING - Gear retraction, right	1	
-23	67024-00		* PLATE - Left gear front, right gear aft	1	
	67024-01		* PLATE - Left gear aft, right gear front	1	
-24	67028-00		* HOOK - Main gear truss assembly	2	
-25	461 131	W	* FORK - (NAS645-16RS)	1	
-26	454 867	W	* CLIP - Turnbuckle (NAS651-16S)	1	
-27	452 009	W	* BARREL - Turnbuckle (NAS649B-16S)	1	
-28	459 957		* EYE - Turnbuckle (NAS648-16LS)	1	

When ordering, always specify Part Number, Description and Serial Number of Aircraft

PIPER PARTS CATALOG

Figure and Index Number	Part Number	Code	NOMENCLATURE	No Req.	SERIAL NUMBERS AFFECTED
45-29	400 757	W	* BOLT - (AN26-21)	1	34-7570001 to 34-7670324 incl
	402 927		* BOLT - (NAS464-6-16)	1	34-7670325 and up
	407 587	W	* WASHER - (AN960-616L)	1	
	404 395	W	* NUT - (AN320-6)	1	
	424 059	W	* COTTER PIN - (MS24665-283)	1	
-30	400 880		* BOLT - (AN23-28)	1	
	407 584	W	* WASHER - (AN960-10L)	AR	
	404 100	W	* NUT - (AN310-3)	1	
	424 051	W	* COTTER PIN - (MS24665-132)	1	
-31	400 880		* BOLT - (AN23-28)	1	
	407 564	W	* WASHER - (AN960-10)	2	
	407 584	W	* WASHER - (AN960-10L)	1	
	404 100	W	* NUT - (AN310-3)	1	
	424 051	W	* COTTER PIN - (MS24665-132)	1	
-32	404 326		* NUT - Check (AN316-8R)	1	34-7570001 to 34-7670324 incl
	404 317		* NUT - Check (AN316-10R)	1	34-7670325 and up
-33	86700-30		* BUSHING - Main gear truss assembly	1	
-34	67202-00		SWIVEL ASSEMBLY - Slide brace spring attachment	2	
-35	21822-00	W	BUSHING - Tapered, truss assembly	4	34-7570001 to 34-7670324 incl
	78716-02		BUSHING - Tapered, truss assembly	4	34-7670325 and up
-36	63900-85		BUSHING - Spring attachment	2	
-37	67203-00		SPRING - Main gear downlock	2	
-38	400 450	W	BOLT - (AN3-17A)	2	
	407 564	W	WASHER - (AN960-10)	2	
	404 887	W	NUT - (MS20365-1032C)	2	
-39	400 761	W	BOLT - (AN26-25)	2	34-7570001 to 34-7670324 incl
	402 921		BOLT - (NAS464P6-20)	2	34-7670325 and up
	407 567	W	WASHER - (AN960-616)	2	
	404 395	W	NUT - (AN320-6)	2	
	424 059	W	COTTER PIN - (MS24665-283)	2	
-40	401 335	W	BOLT - (AN4-40A)	2	
-41	400 012	W	BOLT - (AN4-17A)	2	
	62833-124		WASHER	2	
-42	401 310	W	BOLT - (AN4-10A)	8	34-7570001 to 34-7670324 incl
	402 923		BOLT - (NAS464P4A-10)	8	34-7670325 and up
	407 565	W	WASHER - (AN960-416)	16	34-7570001 to 34-7670324 incl
	407 585	W	WASHER - (AN960-416L)	16	34-7670325 and up
	407 565	W	WASHER - (AN960-416)	AR	34-7670325 and up
-43	400 004	W	BOLT - (AN4-7A)	8	34-7570001 to 34-7670324 incl
	402 922		BOLT - (NAS464P4A-8)	8	34-7670325 and up
	407 585	W	WASHER - (AN960-416L)	8	
	407 565	W	WASHER - (AN960-416)	AR	34-7670325 and up

When ordering, always specify Part Number, Description and Serial Number of Aircraft

PIPER PARTS CATALOG

Figure and Index Number	Part Number	Code	NOMENCLATURE	No. Req.	SERIAL NUMBERS AFFECTED
45-44	402 960		BOLT - (NAS464P8A-44)	2	34-7570001 to 34-7670324 incl
	402 974		BOLT - (NAS464P9A-46)	2	34-7670325 and up
	407 569	W	WASHER - (AN960-816)	2	34-7570001 to 34-7670324 incl.
	407 570	W	WASHER - (AN960-916)	2	34-7670325 and up
	404 832	W	NUT - (MS20364-820C)	2	34-7570001 to 34-7670324 incl
	405 160		NUT - (MS21083-N9)	2	34-7670325 and up
-45	67198-00		WASHER - Main gear	2	
-46	95061-64		BUSHING	2	
-47	406 660	W	NUT - Barrel (1452-048)	4	
-48	95643-06		BRACKET ASSEMBLY - Main gear truss, left (with 5/8" O.D. stud)	1	34-7570001 to 34-7670324 incl.
	95643-07		BRACKET ASSEMBLY - Main gear truss, right (with 5/8" O.D. stud)	1	34-7570001 to 34-7670324 incl
	95643-08		BRACKET ASSEMBLY - Main gear truss, left (with 5/8" O.D. stud)	1	34-7670325 and up
	95643-09		BRACKET ASSEMBLY - Main gear truss, right (with 5/8" O.D. stud)	1	34-7670325 and up
-49	460 801	W	* FITTING - Lubricator (MS15001-4)	1	
-50	65003-41		* BUSHING	1	
-51	95299-02		* STUD - Main gear side brace (9/16" O.D.)	1	
	78717-02		* STUD - Main gear side brace (5/8" O.D.)	1	
-52	67026-06	B	* BUSHING	2	
	67026-12	C	* BUSHING	1	
-53	407 570	B,W	* WASHER - (AN960-916)	AR	
	407 597	B,W	* WASHER - (AN960-916L)	AR	
	62833-109	C	* WASHER - (.062 thick)	AR	
	62833-112	C	* WASHER - (.025 thick)	AR	
	404 398	B,W	* NUT - (AN320-9)	1	
	404 399	C	* NUT - (AN320-10)	1	
-54	480 691	W	* ROLLPIN - (52-028-125-0875)	1	
-55	67502-00		RETAINER ASSEMBLY - Main gear	1	

When ordering, always specify Part Number, Description and Serial Number of Aircraft

1J23 THRU 1J24
INTENTIONALLY LEFT BLANK

PIPER PARTS CATALOG

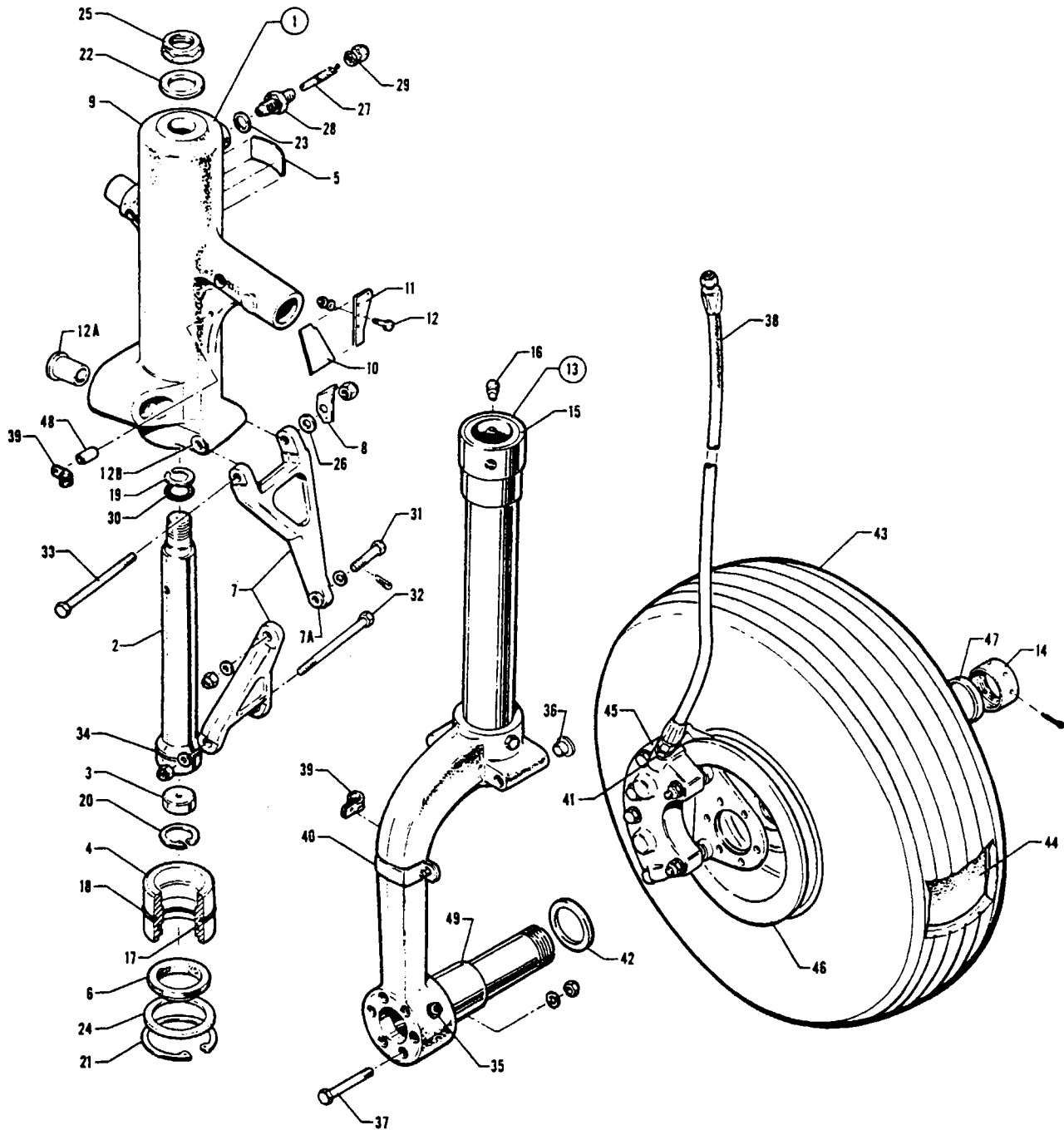


Figure 46 Main Gear Assembly

PIPER PARTS CATALOG

CODE EXPLANATIONS FOR FIGURE 46

- A - See Figure 48 for component parts.
- B - See Figure 47 for component parts.
- C - Used if heavy duty brakes, wheels and tires are installed.
- W - These parts must be ordered from Service Spares Department, Piper Aircraft, Lock Haven, Penna.

PIPER PARTS CATALOG

Figure and Index Number	Part Number	Code	NOMENCLATURE	No. Req.	SERIAL NUMBERS AFFECTED
46-	95912 78724		DRAWING - Main Gear Installation DRAWING - Main Gear Installation		34-7570001 to 34-7670324 incl 34-7670325 and up
-1	96766-16		GEAR ASSEMBLY - Main, left (less tire, tube, wheel and brake assembly)	1	34-7570001 to 34-7670324 incl
	96766-17		GEAR ASSEMBLY - Main, right (less tire, tube, wheel and brake assembly)	1	34-7570001 to 34-7670324 incl
	78723-14		GEAR ASSEMBLY - Main, left (less tire, tube, wheel and brake assembly)	1	34-7670325 and up
	78723-13		GEAR ASSEMBLY - Main, right (less tire, tube, wheel and brake assembly)	1	34-7670325 and up
-2	20754-02	W	* ORIFICE - Main gear	1	
-3	79800-02		* PLATE - Orifice	1	34-7570001 to 34-7670324 incl
	79800-03		* PLATE - Orifice	1	34-7670325 and up
-4	67755-00		* BEARING - Main gear	1	
-5	69669-67		* PLACARD - Oleo service instructions	1	
-6	187 627		* STRIP - Wiper (S-35-29, Code 10V90-117)	1	
-7	67012-00		* LINK ASSEMBLY - Main gear torque	2	
-7a	751 369	W	* * BUSHING - Landing gear strut	1	
-8	67023-00		* BRACKET - Squat switch, left	1	
-9	67926-12		* TRUNNION ASSEMBLY - Main gear, left	1	34-7570001 to 34-7670324 incl
	67926-13		* TRUNNION ASSEMBLY - Main gear, right	1	34-7570001 to 34-7670324 incl
	67926-14		* TRUNNION ASSEMBLY - Main gear, left	1	34-7670325 and up
	67926-15		* TRUNNION ASSEMBLY - Main gear, right	1	34-7670325 and up
-10	37732-00		* * BRACKET - Squat and stall warning prevention switches, left	1	
-11	67753-00		* * PLATE - Attachment	1	
-12	401 266	W	* BOLT - (AN3-5A)	2	
	407 584	W	* * WASHER - (AN960-10L)	2	
	404 887	W	* * NUT - (MS20365-1032C)	2	
-12a	67026-05		* * BUSHING - Trunnion assembly	1	34-7570001 to 34-7670324 incl
	67026-10		* * BUSHING - Trunnion assembly	1	34-7670325 and up
-12b	67026-07		* * BUSHING - Trunnion assembly	2	
-13	67037-06		* STRUT ASSEMBLY - Main gear	2	34-7570001 to 34-7670324 incl
	67037-04		* STRUT ASSEMBLY - Main gear	2	34-7670325 and up
-14	66820-00		* * NUT - Main gear axle assembly	1	
-15	67036-00		* * BEARING - Main strut, upper	1	
-16	20784-00	W	* * PIN - Main strut	2	
-17	484 799		* "O" RING - (MS28775-327)	1	
-18	462 034	W	* "O" RING - (AN6230-5)	1	
-19	484 714	W	* RING - Retainer (MS28782-15)	1	
-20	484 684		* RING - Snap (N5000-118MD)	1	
-21	484 685		* RING - Snap (N5000-250MD)	1	
-22	80122-89	W	* WASHER - Main gear	1	
-23	462 024	W	* GASKET - Air valve (AN901-5A)	1	
-24	80122-88	W	* WASHER - Main gear	1	
-25	404 843	W	* NUT - (MS20364-1216C)	1	
-26	494 114		* WASHER - (96312) Left	1	
-27	455 124	W	* CORE - Air valve (AN809-1)	1	
-28	453 124	W	* BODY - Air valve (AN812-1)	1	
-29	454 053	W	* CAP - Air valve (AN813-1B)	1	
-30	484 790		* "O" RING - (MS28775-210)	1	

When ordering, always specify Part Number, Description and Serial Number of Aircraft

PIPER PARTS CATALOG

Figure and Index Number	Part Number	Code	NOMENCLATURE	No. Req.	SERIAL NUMBERS AFFECTED
46-31	402 312		* BOLT - (AN174-14)	1	
	407 565	W	* WASHER - (AN960-416)	4	
	404 101	W	* NUT - (AN310-4)	1	
	424 050	W	* COTTER PIN - (AN380-2-1)	1	
-32	402 344	W	* BOLT - (AN175-32)	1	
	407 586	W	* WASHER - (AN960-516L)	1	
	404 102	W	* NUT - (AN310-5)	1	
	424 052	W	* COTTER PIN - (MS24665-134)	1	
-33	402 345	W	* BOLT - (AN175-33) Left	1	
	402 344	W	* BOLT - (AN175-32) Right	1	
	407 566	W	* WASHER - (AN960-516) Right	1	
	404 102	W	* NUT - (AN310-5)	1	
	424 051	W	* COTTER PIN - (MS24665-132)	1	
-34	484 828		* RING - Compression (R19047)	1	
-35	401 329	W	* BOLT - (AN4-31A)	1	
	407 585	W	* WASHER - (AN960-416L)	1	
	404 836	W	* NUT - (MS20364-428C)	1	34-7570001 to 34-7670324 incl
	404 888	W	* NUT - (MS20365-428C)	1	34-7670325 and up
-36	67026-07		* BUSHING	2	
-37	401 320		BOLT - (AN4-C20A)	12	
	407 675	W	WASHER - (AN960-C416)	12	
	404 888	W	NUT - (MS20365-428C)	12	
-38	63901-17		HOSE ASSEMBLY - Brake line	2	
-39	554 734		CLAMP - (PS10017-14-9)	4	
-40	67277-00	W	CLAMP	2	
-41	476 648	W	NIPPLE - (AN816-4D)	2	
-42	63484-00		BUSHING - Main gear	2	
-43	761 995	W	TIRE - (6 00 x 6, 6 ply) McCreary Airhawk	2	
	761 975	C.W	TIRE - (6 00 x 6, 8 ply) B F Goodrich (heavy duty)	2	
	761 996	C.W	TIRE - (6 00 x 6, 8 ply) McCreary Airhawk (heavy duty)	2	
-44	451 735	W	TUBE - (6 00 x 6)	2	
-45	551 706	A	BRAKE ASSEMBLY - Main (30-65)	2	
	551 725	A,C	BRAKE ASSEMBLY - Main (30-83A) (heavy duty)	2	
-46	551 765	B	WHEEL ASSEMBLY - Main (40-90A)	2	
	551 770	B,C	WHEEL ASSEMBLY - Main (40-120C) (heavy duty)	2	
-47	63900-115		BUSHING - Main gear axle	1	
-48	63900-11		BUSHING - Main gear	2	
-49	63900-103		BUSHING - Main gear	2	

When ordering, always specify Part Number, Description and Serial Number of Aircraft

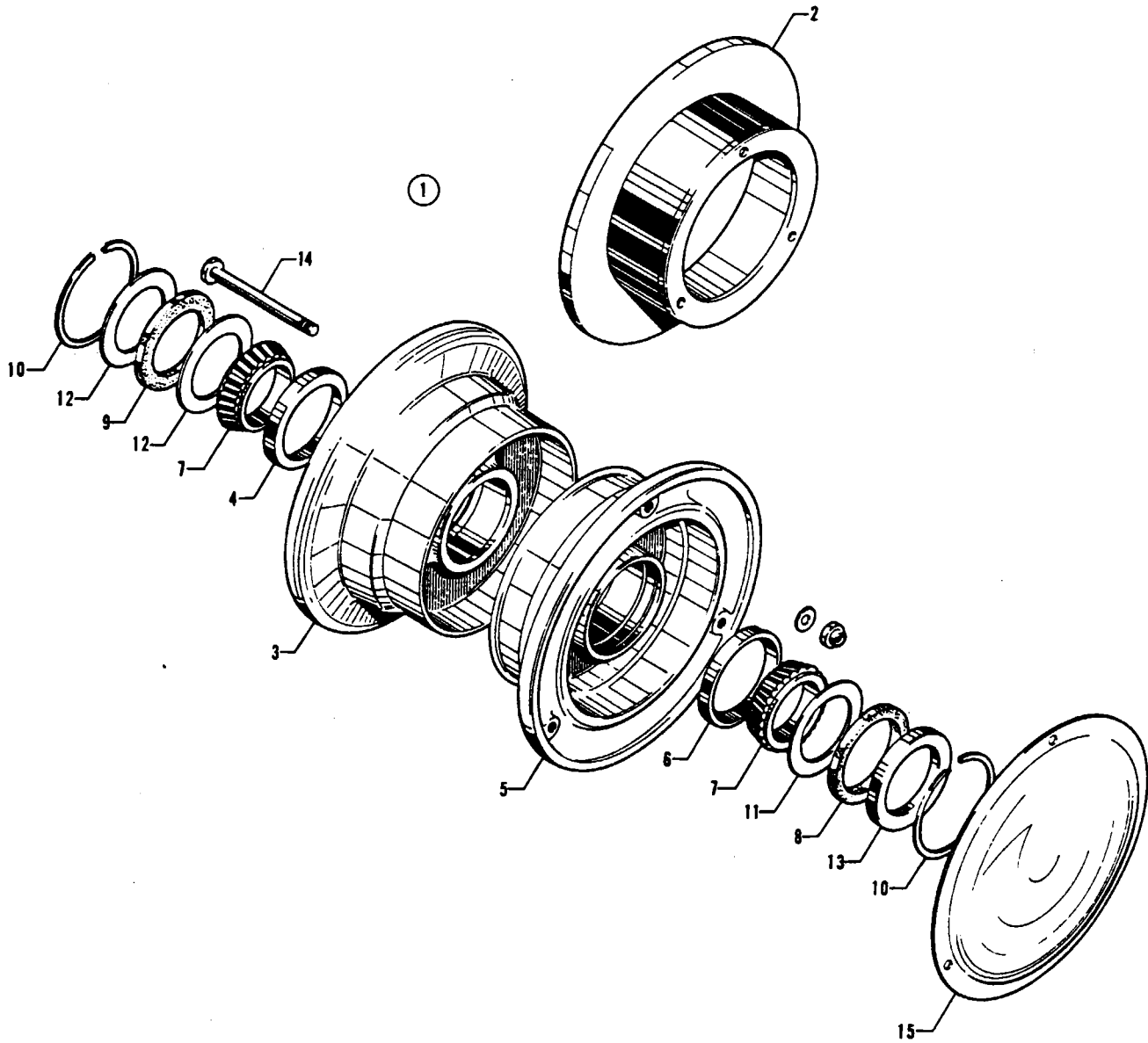


Figure 47. Main Wheel Assembly

PIPER PARTS CATALOG

CODE EXPLANATIONS FOR FIGURE 47

A - Used on Wheel Assembly 40-90A only.

B - Used on Wheel Assembly 40-120C only

W - These parts must be ordered from Service Spares Department, Piper Aircraft, Lock Haven, Penna.

PIPER PARTS CATALOG

Figure and Index Number	Part Number	Code	NOMENCLATURE	No. Req.	SERIAL NUMBERS AFFECTED
47-1	551 765		WHEEL ASSEMBLY - Main (40-90A)	2	
	551 770		WHEEL ASSEMBLY - Main (40-120C) (heavy duty)	2	
-2	754 643	A	* DISC ASSEMBLY - Brake (164-23)	1	
	754 614	B	* DISC ASSEMBLY - Brake (164-46)	1	
-3	756 666	A	* WHEEL HALF ASSEMBLY - Inner (161-47)	1	
	763 751	B	* WHEEL HALF ASSEMBLY - Inner (161-93B)	1	
-4	751 494	W	* * CUP - Bearing (13836)	1	
-5	756 665	A	* WHEEL HALF ASSEMBLY - Outer (162-45) (with valve hole)	1	
	763 752	B	* WHEEL HALF ASSEMBLY - Outer (162-87B) (with valve hole)	1	
-6	751 494	W	* * CUP - Bearing (13836)	1	
-7	751 489	W	* BEARING - Cone (13889)	2	
-8	751 810	W	* FELT - Grease seal (154-13)	1	
-9	751 772	W	* FELT - Grease seal (154-3)	1	
-10	752 830	W	* RING - Snap (155-1)	2	
-11	755 929	W	* RING - Grease seal (153-3)	1	
-12	755 999	W	* RING - Grease seal (153-4)	2	
-13	755 930	W	* RING - Grease seal (153-15)	1	
-14	753 473	A.W	* BOLT - (AN5-36A)	3	
	401 375	B.W	* BOLT - (AN5-35A)	6	
	407 566	A.W	* WASHER - (AN960-516)	9	
	407 566	B.W	* WASHER - (AN960-516)	6	
	404 889	A.W	* NUT - (AN365-524)	3	
	404 889	B.W	* NUT - (AN365-524)	6	
-15	753 923		CAP - Hub 157-9 (451 783)	2	

When ordering, always specify Part Number, Description and Serial Number of Aircraft

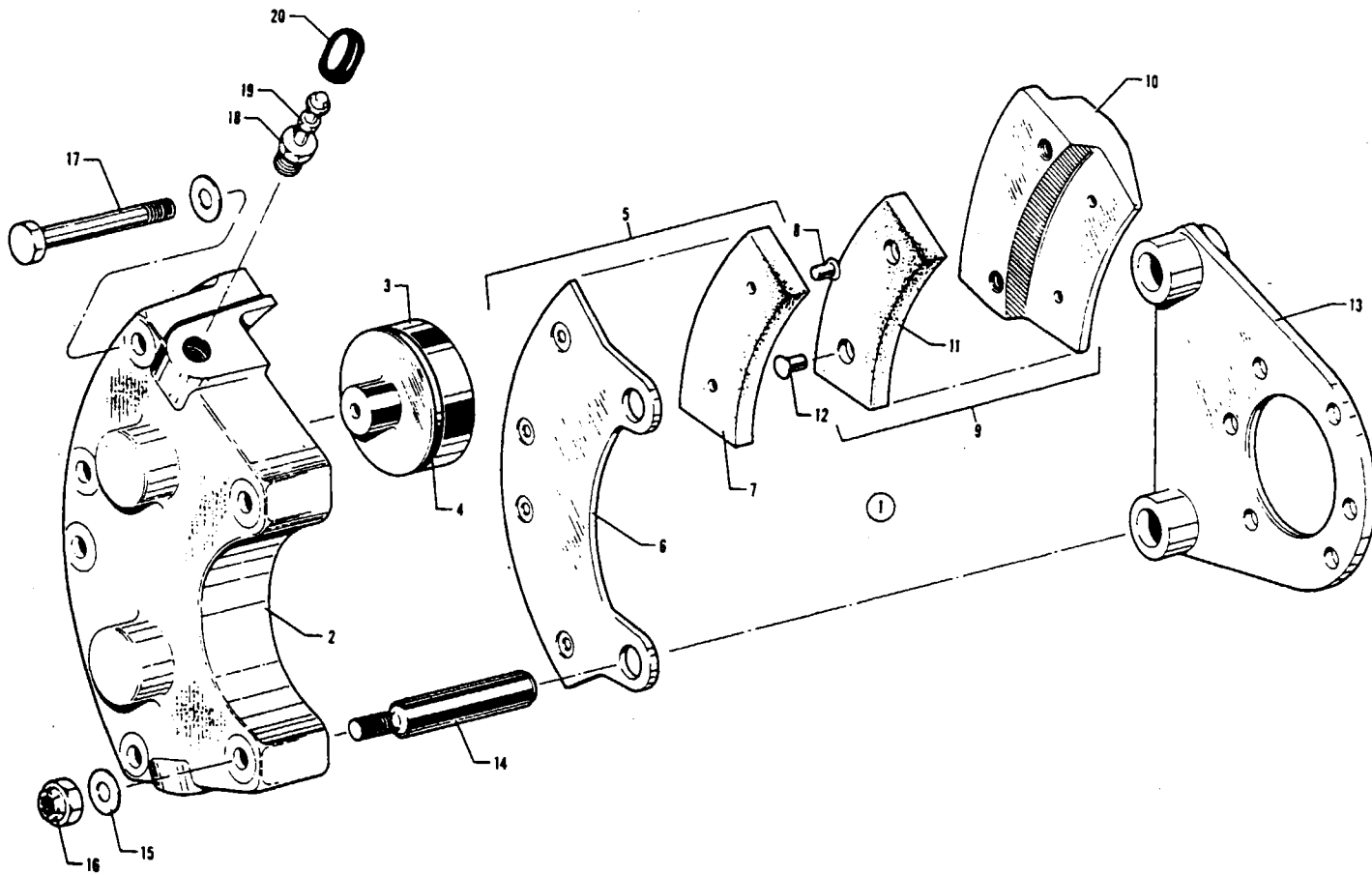


Figure 48. Brake Assembly

REVISED: SEPTEMBER 1976

PA-34-200T

1K8

PIPER PARTS CATALOG

CODE EXPLANATIONS FOR FIGURE 48

- A - Used on Brake Assembly 30-65 only.
- B - Used on Brake Assembly 30-83A only.
- W - These parts must be ordered from Service Spares Department, Piper Aircraft, Lock Haven, Penna.

PIPER PARTS CATALOG

Figure and Index Number	Part Number	Code	NOMENCLATURE	No. Req.	SERIAL NUMBERS AFFECTED
48-1	551 706		BRAKE ASSEMBLY - (30-65)	2	
	551 725		BRAKE ASSEMBLY - (30-83A) (heavy duty)	2	
-2	753 936	A	* CYLINDER - Brake (61-18)	1	
	758 093	B	* CYLINDER - Brake (61-25)	1	
-3	755 887	A	* PISTON - (62-15)	2	
	757 483	B	* PISTON ASSEMBLY - (92-18)	2	
-4	484 698	A,W	* "O" RING - (AN6227-27)	2	
-5	757 207	A	* PLATE ASSEMBLY - Pressure (73-10)	1	
	757 485	B	* PLATE ASSEMBLY - Pressure (73-16)	1	
-6	757 208	A	* * PLATE - Pressure (63-11)	1	
-7	752 342	A	* * LINING - Pressure plate (66-30)	2	
	761 197	B	* * LINING - Pressure plate (66-62)	2	
-8	752 826	A,W	* * RIVET - Pressure plate lining (561)	4	
-9	755 885	A	* PLATE ASSEMBLY - Back (74-10)	2	
	757 484	B	* PLATE ASSEMBLY - Back (74-30)	2	
-10	755 886	A	* * PLATE - Back (64-15)	2	
-11	752 342	A	* * LINING - Back plate (66-30)	2	
	761 197	B	* * LINING - Back plate (66-62)	2	
-12	752 826	A,W	* * RIVET - Back plate lining (561)	4	
-13	757 209		* TORQUE PLATE ASSEMBLY - (75-39)	1	
-14	753 407		* BOLT - Anchor (69-4)	2	
-15	407 585	W	* WASHER - (AN960-416L)	6	
-16	404 888	W	* NUT - (AN365-428)	2	
-17	753 430		* BOLT - (LP4-20AM)	4	
-18	752 966	W	* SEAT - Bleeder (37-206)	1	
-19	752 965	W	* SCREW - Bleeder (FC-6446)	1	
-20	753 850	W	* CAP - Bleeder (183-1)	1	

When ordering, always specify Part Number, Description and Serial Number of Aircraft

PIPER PARTS CATALOG

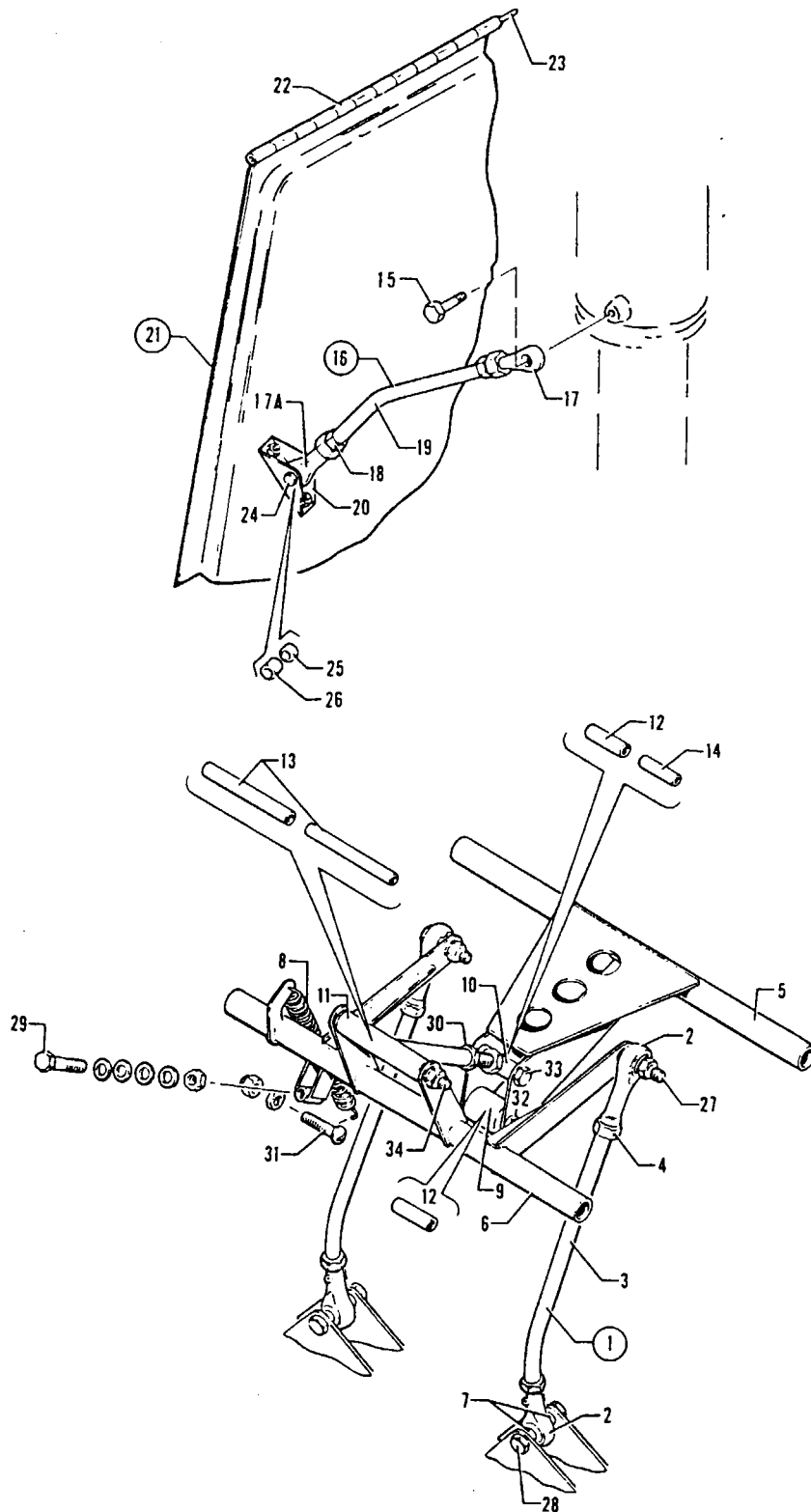


Figure 49 Nose and Main Gear Door Actuation Installations

PIPER PARTS CATALOG

CODE EXPLANATIONS FOR FIGURE 49

- A - Items 16 through 26 are component parts of wing assembly.
- W - These parts must be ordered from Service Spares Department, Piper Aircraft, Lock Haven, Penna.

PIPER PARTS CATALOG

Figure and Index Number	Part Number	Code	NOMENCLATURE	No. Req.	SERIAL NUMBERS AFFECTED
49-	95743 37093		DRAWING - Nose Gear Door Actuation Installation DRAWING - Wing Assembly (Complete)		
-1	95772-00		ROD ASSEMBLY - Nose gear door actuation	2	
-2	452 335	W	* ROD - End bearing (F34-14)	2	
-3	95772-02		* ROD - Nose gear door actuation	1	
-4	404 322	W	* NUT - (AN316-4R)	2	
-5	95771-00		TUBE ASSEMBLY - Nose gear door actuation	1	
-6	95770-00		TUBE ASSEMBLY - Nose gear door actuation	1	
-7	95061-64		BUSHING	4	
-8	67363-00		SPRING - Nose gear door	1	
-9	67360-00		ROLLER - Nose gear door link	1	
-10	67358-00		LINK ASSEMBLY - Nose gear door	1	
-11	67357-00		LINK ASSEMBLY - Nose gear door	1	
-12	65003-27		BUSHING - Nose gear door actuation	2	
-13	67356-201		SLEEVE AND BUSHING ASSEMBLY - Nose gear door actuating	1	
-14	63882-29		SLEEVE - Teflon, nose gear door actuation	1	
-15	401 260		BOLT - (AN3CH-7A)	2	34-7570001 to 34-7670324 incl
	401 261		BOLT - (AN3H-12A)	2	34-7670325 and up
	407 674	W	WASHER - (AN960-C10)	2	
	407 682	W	WASHER - (AN960-C10L)	4	
	63900-145		BUSHING	2	34-7670325 and up
-16	67092-00		ROD ASSEMBLY - Main gear door	2	34-7570001 to 34-7670324 incl
	37722-02		ROD ASSEMBLY - Main gear door	2	34-7670325 and up
-17	452 335	W	* BEARING - Rod end (PS10020-2-1RX)	1	
-17a	452 335	W	* BEARING - Rod end (F34-14)	1	34-7570001 to 34-7670324 incl
	452 584	W	* BEARING - (PS10020-7-3)	2	
-18	404 321	W	* NUT - (AN316-C4R)	2	
-19	67092-02		* ROD - Main gear door	1	34-7570001 to 34-7670324 incl
	37722-03		* ROD ASSEMBLY - Main gear door	1	34-7670325 and up
-20	67091-00		BRACKET - Main gear door	2	
-21	67090-10		DOOR ASSEMBLY - Main gear, left	1	
	67090-11		DOOR ASSEMBLY - Main gear, right	1	
-22	67093-04		* HINGE - Half, main gear door, left	1	
	67093-05		* HINGE - Half, main gear door, right	1	
-23	63744-11		PIN - Hinge, main gear door	2	
-24	400 867	W	BOLT - (AN23-15A)	2	
	407 674	W	WASHER - (AN960-C10)	2	
	404 887	W	NUT - (MS20365-1032C)	2	
-25	63900-73		BUSHING - (19 long)	2	
-26	62833-103		WASHER - (O80 thick)	2	34-7670325 and up
-27	403 054	W	BOLT - (AN3-C7A)	2	
	407 682	W	WASHER - (AN960-C10L)	4	
	404 887	W	NUT - (MS20365-1032C)	2	
-28	403 057	W	BOLT - (AN3-C12A)	2	
	407 674	W	WASHER - (AN960-C10)	2	
	404 887	W	NUT - (MS20365-1032C)	2	
-29	403 056	W	BOLT - (AN3-C11A)	1	
	407 674	W	WASHER - (AN960-C10)	4	
	407 887	W	NUT - (MS20365-1032C)	1	
-30	404 321	W	NUT - (AN316-C4R)	1	

When ordering, always specify Part Number, Description and Serial Number of Aircraft

PIPER PARTS CATALOG

Figure and Index Number	Part Number	Code	NOMENCLATURE	No. Req.	SERIAL NUMBERS AFFECTED
49-31	410 324		SCREW - (MS27039C1-12)	1	
	404 243	W	NUT - (AN315-C3R)	1	
	404 887	W	NUT - (MS20365-1032C)	1	
-32	401 275		BOLT - (AN3-C14A)	1	
	407 675	W	WASHER - (AN960C-416)	2	
	407 682	W	WASHER - (AN960-C10L)	1	
-33	404 887	W	NUT - (MS20365-1032C)	1	
	401 275		BOLT - (AN3-C14A)	1	
	407 682	W	WASHER - (AN960-C10L)	1	
-34	404 887	W	NUT - (MS20365-1032C)	1	
	401 287		BOLT - (AN3-C31A)	1	
	407 682	W	WASHER - (AN960-C10L)	2	
	407 674	W	WASHER - (AN960-C10)	1	
	404 887	W	NUT - (MS20365-1032C)	1	

When ordering, always specify Part Number, Description and Serial Number of Aircraft

PIPER PARTS CATALOG

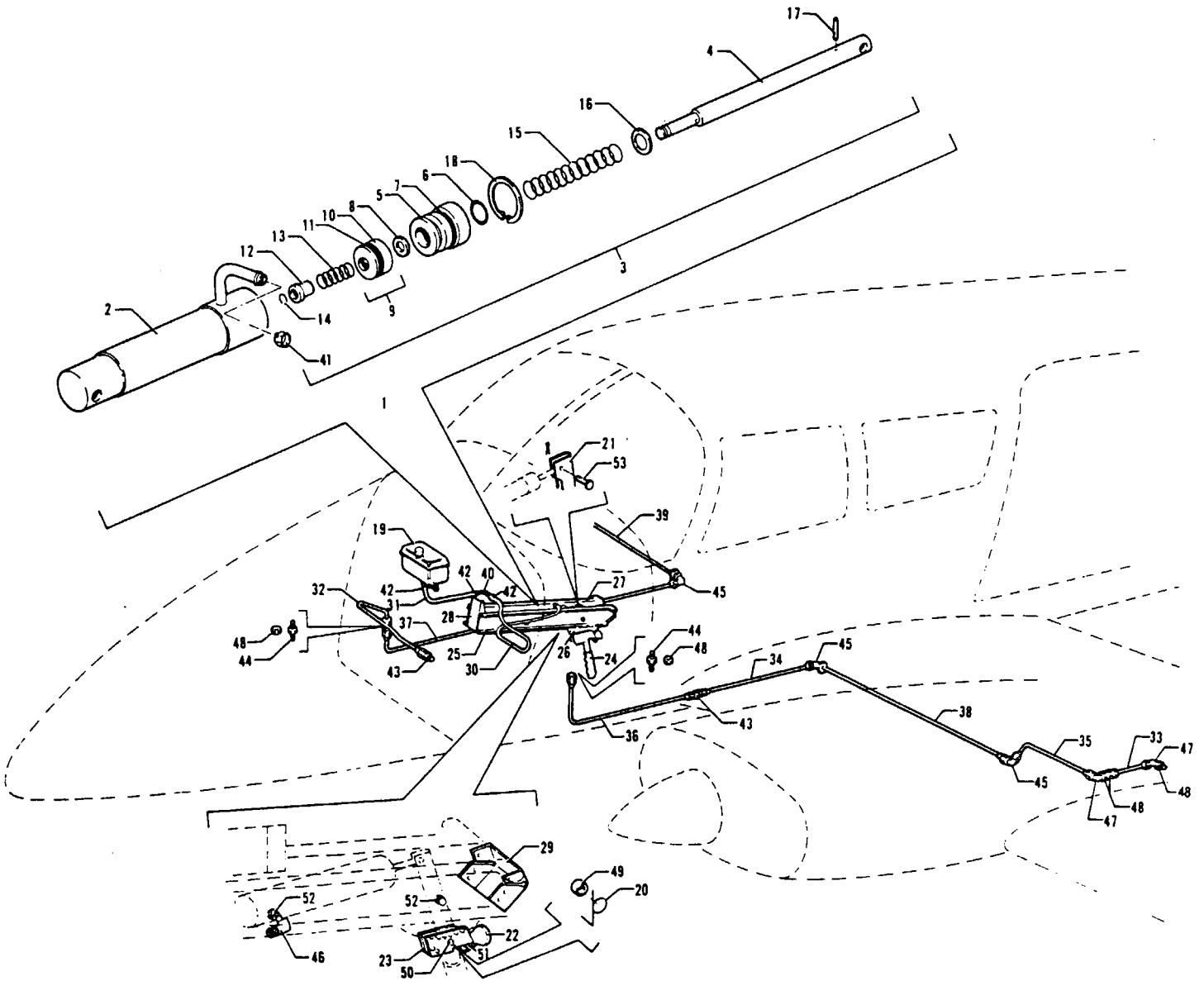


Figure 50. Hand Brake Installation

REVISED: SEPTEMBER 1976

1K15

PA-34-200T

PIPER PARTS CATALOG

CODE EXPLANATIONS FOR FIGURE 50

W - These parts must be ordered from Service Spares Department, Piper Aircraft, Lock Haven, Penna.

PIPER PARTS CATALOG

Figure and Index Number	Part Number	Code	NOMENCLATURE	No. Req.	SERIAL NUMBERS AFFECTED
50-	95075		DRAWING - Hand Brake Installation		
-1	455 938		CYLINDER ASSEMBLY - Master (10-22)	1	
-2	753 956		HYDRAULIC CYLINDER ASSEMBLY - (189-9)	1	
-3	755 948		PISTON ROD ASSEMBLY - (182-7)	1	
-4	755 949		ROD - Piston (142-9)	1	
-5	751 889		GLAND - Packing (141-10)	1	
-6	484 701	W	PACKING - "O" Ring (AN6227-7)	1	
-7	484 727	W	PACKING - "O" Ring (AN6227-12)	1	
-8	753 172	W	WASHER - Dyna-seal (110-3/16)	1	
-9	757 216		PISTON ASSEMBLY - (92-19)	1	
-10	757 217		PISTON - (148-10)	1	
-11	484 706	W	PACKING - "O" Ring (AN6227-11)	1	
-12	753 381	W	BUSHING - (145-15)	1	
-13	756 117	W	SPRING - (82-8)	1	
-14	752 855	W	RING - Snap (155-5)	1	
-15	756 118	W	SPRING - (82-9)	1	
-16	407 567	W	WASHER - (AN960-616)	1	
-17	755 882		ROLL PIN - (223-1)	1	
-18	755 950		RING - Snap (155-10)	1	
-19	96474-00		RESERVOIR ASSEMBLY - Brake system	1	
-20	63356-00		SPRING - Brake handle	1	
-21	63357-00		HANDLE ASSEMBLY - Parking brake	1	
-22	63914-07		KNOB ASSEMBLY - Parking brake	1	
-23	67135-03		LATCH ASSEMBLY - Brake handle	1	
-24	463 380		GRIP - Brake handle	1	
-25	67137-00		CHANNEL ASSEMBLY - Brake support, left	1	
-26	63354-00		RATCHET - Brake handle	1	
-27	67138-03		CHANNEL ASSEMBLY - Brake support, right	1	
-28	95170-00		CHANNEL - Brake support, forward	1	
-29	95169-02		CHANNEL ASSEMBLY - Brake support, aft	1	
-30	63913-48		HOSE - (39 in.)	1	
-31	63913-96		HOSE - (11.34 in.)	1	
-32	95153-129		TUBE ASSEMBLY	1	
-33	67549-00		TUBE ASSEMBLY	2	
-34	95153-02		TUBE ASSEMBLY	2	
-35	95153-34		TUBE ASSEMBLY	2	
-36	95153-74		TUBE ASSEMBLY - Brake, left	1	
-37	95153-75		TUBE ASSEMBLY - Brake, right	1	
-38	95153-76		TUBE ASSEMBLY - Brake, left	1	
-39	95153-77		TUBE ASSEMBLY - Brake, right	1	
-40	96476-00		TUBE ASSEMBLY	1	
-41	554 861	W	CLAMP - Hose (SAE TY F-4)	1	
-42	454 983	W	CLAMP - Hose (SAE 8)	4	
-43	491 050	W	UNION - (AN815-4D)	3	
-44	491 060	W	UNION - (AN832-4D)	2	
-45	458 880	W	ELBOW - (AN821-4D)	4	
-46	458 894	W	ELBOW - (AN822-4D)	1	
-47	458 900	W	ELBOW - (AN833-4D)	4	
-48	477 618	W	NUT - (AN924-4D)	10	
-49	63900-131		BUSHING	1	

When ordering, always specify Part Number, Description and Serial Number of Aircraft

PIPER PARTS CATALOG

Figure and Index Number	Part Number	Code	NOMENCLATURE	No. Req.	SERIAL NUMBERS AFFECTED
50-50	400 876		BOLT - (AN23-24A)	1	
	407 564	W	WASHER - (AN960-10)	3	
	404 887	W	NUT - (MS20365-1032C)	1	
-51	416 994	W	SCREW - (AN526-1032R6)	1	
	407 124	W	WASHER - Lock (AN935-10L)	1	
-52	400 113	W	BOLT - (AN4-20)	2	
	407 565	W	WASHER - (AN960-416)	6	
	404 101	W	NUT - (AN310-4)	2	
-53	424 051	W	PIN - Cotter (MS24665-132)	2	
	424 177	W	PIN - (MS20392-2C17)	1	
	407 584	W	WASHER - (AN960-10L)	2	
	424 051	W	PIN - Cotter (MS24665-132)	1	

When ordering, always specify Part Number, Description and Serial Number of Aircraft

PIPER PARTS CATALOG

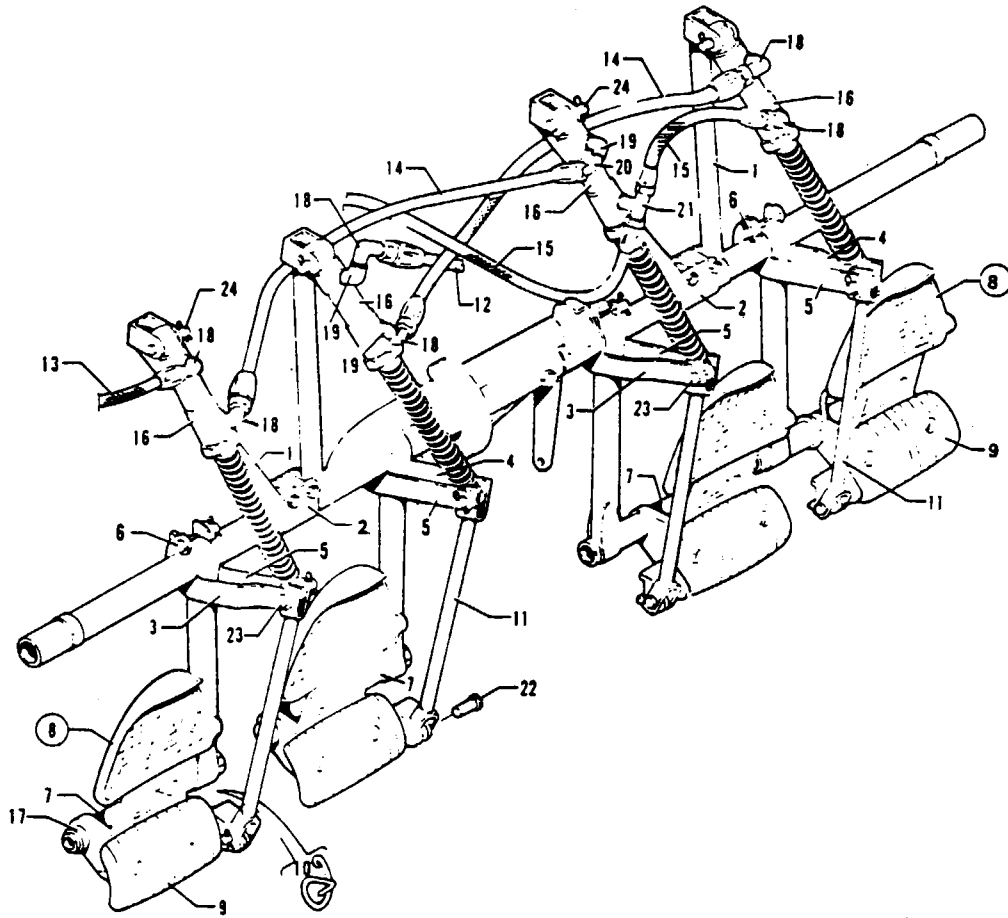


Figure 51 Toe Brake Installation

REVISED: MARCH 1980

1K19

PA-34-200T

PIPER PARTS CATALOG

CODE EXPLANATIONS FOR FIGURE 51

- A - See Figure 52 for component parts.
- B - No longer available. Order master cylinder assembly part number 455 968 (Cleveland 10-30) or 455 944 (Gar-Kenyon 17000) as a replacement.
- W - These parts must be ordered from Service Spares Department, Piper Aircraft, Lock Haven, Penna.

PIPER PARTS CATALOG

Figure and Index Number	Part Number	Code	NOMENCLATURE	No. Req.	SERIAL NUMBERS AFFECTED
51-	78599 37300		DRAWING - Dual Toe Brake Line Installation DRAWING - Control System Installation		
-1	63464-05		BRACE ASSEMBLY - Toe brake	2	
-2	63468-00		BRACKET - Toe brake	2	
-3	63469-00		ARM - Toe brake	2	
-4	63469-01		ARM - Toe brake	2	
-5	63470-00		ARM - Toe brake	4	
-6	424 357		PIN - Flat head (MS20392-2C39)	4	
-7	63478-00		SPACER - Toe pedal	4	
-8	63485-00		PEDAL ASSEMBLY - Toe brake, left inboard	1	
	63485-02		PEDAL ASSEMBLY - Toe brake, left outboard	1	
	63485-01		PEDAL ASSEMBLY - Toe brake, right inboard	1	
	63485-03		PEDAL ASSEMBLY - Toe brake, right outboard	1	
-9	62867-02		* PAD ASSEMBLY - Brake pedal	1	
-10	63594-00		CLIP - Spring, left outboard pedal	1	
	63594-01		CLIP - Spring, right outboard pedal	1	
-11	79430-00		CLEVIS ASSEMBLY - Toe brake	4	
-12	63901-76		HOSE ASSEMBLY - Flexible	1	
-13	63901-28		HOSE ASSEMBLY - Flexible	1	
-14	63901-29		HOSE ASSEMBLY - Flexible	2	
-15	63901-30		HOSE ASSEMBLY - Flexible	2	
-16	455 948	A,B	CYLINDER ASSEMBLY - Master (10-27) Cleveland	4	
	455 968	A	CYLINDER ASSEMBLY - Master (10-30) Cleveland	4	
	455 944	A	CYLINDER ASSEMBLY - Master (17000) Gar Kenyon	4	
-17	453 714		BEARING - Brake pedal (PS10065-37)	8	
-18	458 894	W	ELBOW - (MS20822-4D)	6	
-19	458 904	W	ELBOW - (AN914-1D)	3	
-20	458 891	W	ELBOW - (MS20823-4D)	1	
-21	488 499		TEE - (MS20825-4D)	1	
-22	424 175	W	PIN - Flat head (MS20392-2C13)	AR	
	424 176	W	PIN - Flat head (MS20392-2C15)	AR	
-23	414 181		PIN - Flat head (MS20392-2C25)	4	
-24	424 184	W	PIN - Flat head (MS20392-2C31)	4	

When ordering, always specify Part Number, Description and Serial Number of Aircraft

PIPER PARTS CATALOG

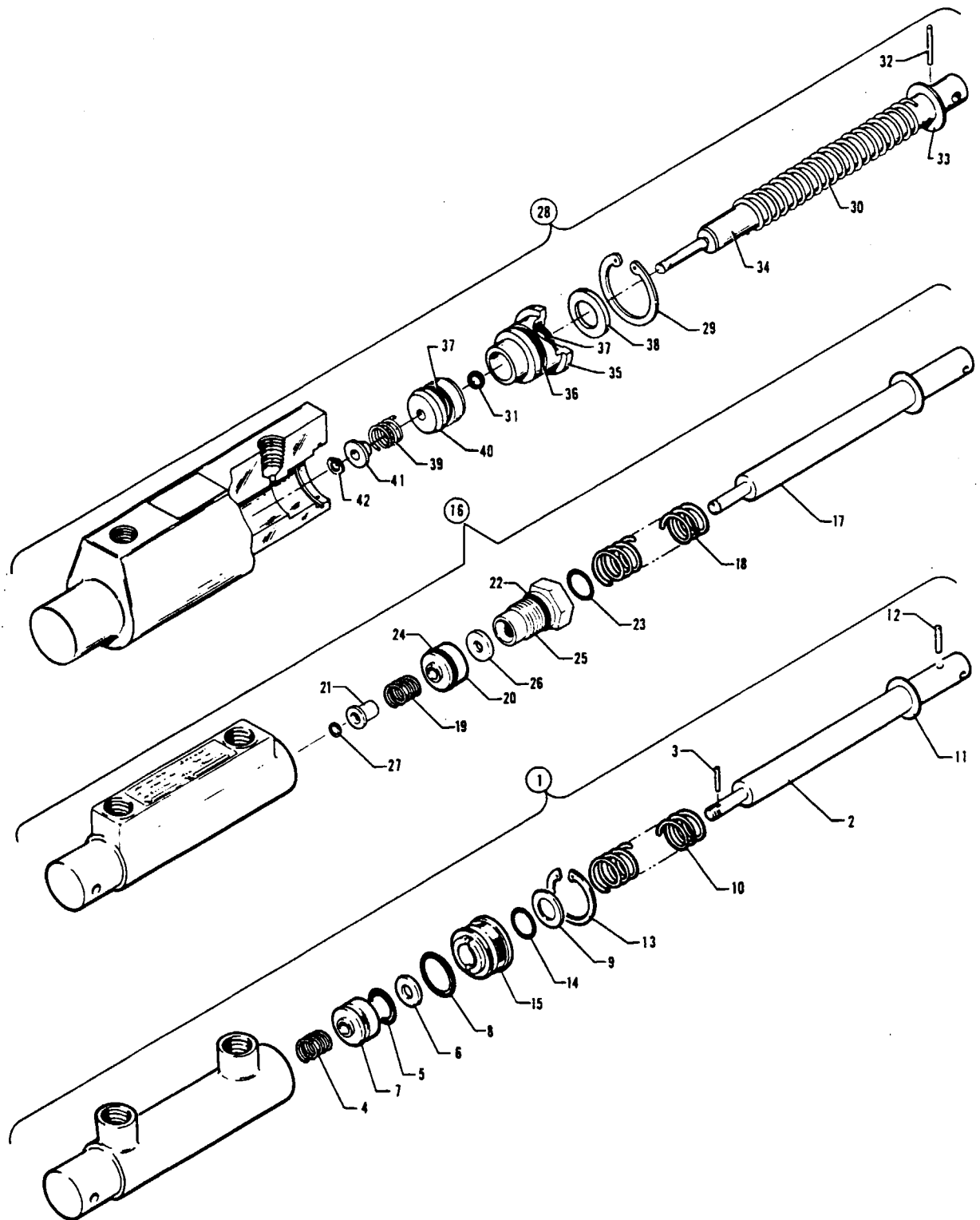


Figure 52. Toe Brake Master Cylinder Assembly

REVISED: APRIL 1981

1K22

PA-34-200T

PIPER PARTS CATALOG

CODE EXPLANATIONS FOR FIGURE 52

- A - No longer available. Order master cylinder assembly part number 455 968 (Cleveland 10-30) or 455 944 (Gar-Kenyon 17000) as a replacement.
- W - These parts must be ordered from Service Spares Department, Piper Aircraft, Lock Haven, Penna.

PIPER PARTS CATALOG

Figure and Index Number	Part Number	Code	NOMENCLATURE	No. Req.	SERIAL NUMBERS AFFECTED
52-1	455 948	A	CYLINDER ASSEMBLY - Master (10-27) Cleveland	4	
-2	757 316		* PISTON ROD ASSEMBLY - (182-01100)	1	
-3	757 317		* * ROLL PIN - (223-00600)	1	
-4	757 580		* * SPRING - (082-02100)	1	
-5	484 748		* * "O" RING - (AN6227-8)	1	
-6	756 620		* * WASHER - Seal (095-25200)	1	
-7	757 437		* * PISTON - (148-01200)	1	
-8	484 706	W	* "O" RING - (AN6227-11)	1	
-9	756 621		* WASHER - Wiper (095-01300)	1	
-10	756 118	W	* SPRING - (82-9)	1	
-11	756 622		* WASHER - (095-10100)	1	
-12	757 318		* ROLL PIN - (223-0500)	1	
-13	756 019		* RETAINING RING - (155-01200)	1	
-14	484 701	W	* "O" RING - (AN6227-7)	1	
-15	755 028		* GLAND - Packing (141-01200)	1	
-16	455 944		CYLINDER ASSEMBLY - Master (17000) Gar-Kenyon	4	
-17	757 480		* PISTON ROD AND RING ASSEMBLY - (95404) includes spring retaining ring	1	
-18	762 276		* SPRING - (17005)	1	
-19	762 277		* SPRING - (17006)	1	
-20	757 479		* PISTON - (17003)	1	
-21	762 275		* SLEEVE - (17007)	1	
-22	752 584		* "O" RING - (MS28775-113)	1	
-23	484 788		* "O" RING - (MS28775-012)	1	
-24	752 585		* "O" RING - (MS28775-110)	1	
-25	754 848		* FITTING - (17002)	1	
-26	494 177		* SEAL - (110-3/16)	1	
-27	762 531		* RING - Retaining (XRC-313)	1	
-28	455 968		CYLINDER ASSEMBLY - Master (10-30) Cleveland	4	
-29	762 587		* RING - Snap (155-47)	1	
-30	763 451		* PISTON ROD ASSEMBLY - (182-22)	1	
-31	762 585		* * "O" RING - (101-1)	1	
-32	757 318		* * ROLL PIN - (223-00500)	1	
-33	756 622		* * WASHER - (095-10100)	1	
-34	756 118	W	* * SPRING - (82-9)	1	
-35	755 082		* * GLAND - Packing (141-25)	1	
-36	756 018		* * "O" RING - (101-01100)	1	
-37	756 016		* * "O" RING - (101-00800)	2	
-38	756 621		* * WASHER - Wiper (095-01300)	1	
-39	757 580		* * SPRING - (082-02100)	1	
-40	763 450		* * PISTON - (148-25)	1	
-41	758 457		* * BUSHING - (145-58)	1	
-42	762 586		* * RING - Snap (T5304-15)	1	

When ordering, always specify Part Number, Description and Serial Number of Aircraft

PIPER PARTS CATALOG

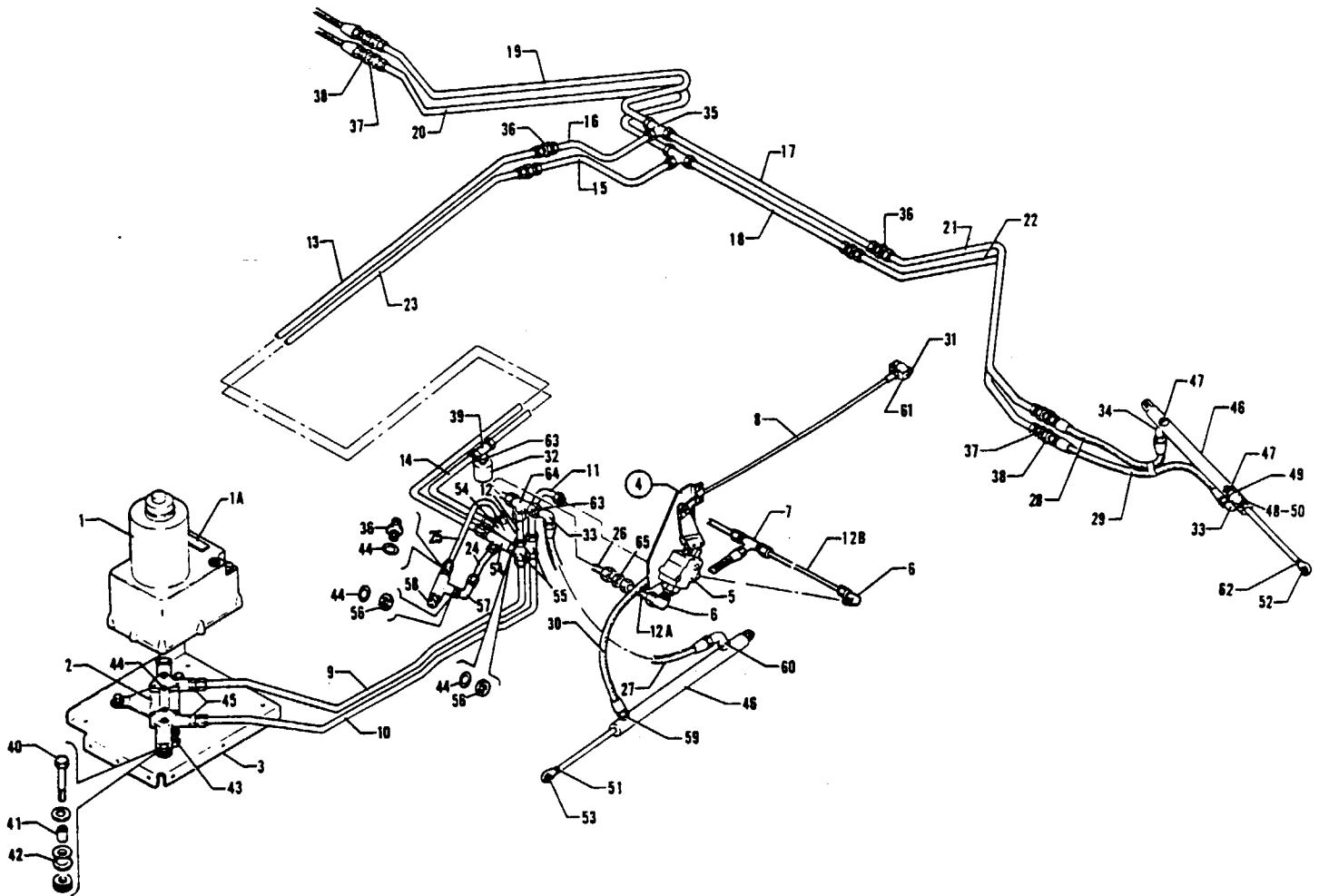


Figure 53 Hydraulic System Installation
(Serial Nos 34-7570001 to 34-7970104 incl)

REVISED MAY 1983

1L1

PA-34-200T

PIPER PARTS CATALOG

CODE EXPLANATIONS FOR FIGURE 53

W - These parts must be ordered from Service Spares Department, Piper Aircraft, Lock Haven, Penna.

PIPER PARTS CATALOG

Figure and Index Number	Part Number	Code	NOMENCLATURE	No. Req.	SERIAL NUMBERS AFFECTED
53-	96124		DRAWING - Hydraulic Landing Gear Installation		
-1	96671-02		PUMP ASSEMBLY - Hydraulic	1	
-1a	87369-22		* PLACARD - Hydraulic fluid spec	1	
-2	96902-00		MOUNT ASSEMBLY - Hydraulic pump	1	
-3	95741-00		DECK ASSEMBLY - Hydraulic pump	1	
-4	96706-02		VALVE ASSEMBLY - Landing gear free fall, complete	1	
-5	67522-02		* VALVE ASSEMBLY - Free fall	1	
-6	458 891	W	* ELBOW - (MS20822-4D)	2	
-7	488 320	W	TEE - (AN824-4D)	1	
-8	63902-23		CABLE ASSEMBLY - Landing gear free fall valve	1	
-9	95153-39		TUBE ASSEMBLY - Gear extension line	1	
-10	95153-40		TUBE ASSEMBLY - Gear retraction line	1	
-11	95153-41		TUBE ASSEMBLY - Nose gear retraction line	1	
-12	95153-23		TUBE ASSEMBLY - Nose gear extension line	1	
-12a	95153-128		TUBE ASSEMBLY - Nose gear extension line	1	
-12b	95153-127		TUBE ASSEMBLY - Nose gear retraction line	1	
-13	95153-43		TUBE ASSEMBLY - Main gear extension line	1	34-7570001 to 34-7770148 incl
	95153-161		TUBE ASSEMBLY - Main gear extension line	1	34-7770149 and up
-14	95153-44		TUBE ASSEMBLY - Main gear retraction line	1	34-7570001 to 34-7770148 incl
	95153-162		TUBE ASSEMBLY - Main gear retraction line	1	34-7770149 and up
-15	95153-45		TUBE ASSEMBLY - Main gear retraction line	1	
-16	95153-46		TUBE ASSEMBLY - Main gear extension line	1	
-17	95153-47		TUBE ASSEMBLY - Main gear extension line	1	
-18	95153-48		TUBE ASSEMBLY - Main gear retraction line	1	
-19	95153-49		TUBE ASSEMBLY - Main gear extension line	1	
-20	95153-50		TUBE ASSEMBLY - Main gear retraction line	1	
-21	95153-51		TUBE ASSEMBLY - Main gear extension line	1	
-22	95153-52		TUBE ASSEMBLY - Main gear retraction line	1	
-23	95153-73		TUBE ASSEMBLY - Main gear retraction line	1	
-24	95153-10		TUBE ASSEMBLY - Thermal relief valve	1	34-7570001 to 34-7770148 incl
-25	95153-11		TUBE ASSEMBLY - Thermal relief valve	1	34-7570001 to 34-7770148 incl
-26	95153-24		TUBE ASSEMBLY - Nose gear extension line	1	
-27	63901-28		HOSE ASSEMBLY - Nose gear extension port	1	
-28	63901-09		HOSE ASSEMBLY - Main gear cylinder extension ports	2	
-29	63901-28		HOSE ASSEMBLY - Main gear cylinder retraction ports	2	
-30	63901-70		HOSE ASSEMBLY - Nose gear retraction port	1	
-31	96167-00		RETAINER - Cable knob	1	
-32	587 847		SWITCH - Pressure (211C243-12)	1	
-33	458 894	W	ELBOW - (AN822-4D)	3	
-34	458 891	W	ELBOW - (AN823-4D)	2	
-35	488 320	W	TEE - (AN824-4D)	2	
-36	491 050	W	UNION - (AN815-4D)	5	
-37	491 060	W	UNION - (AN832-4D)	4	
-38	477 618	W	NUT - (AN924-4D)	4	
	407 568	W	WASHER - (AN960-716)	8	
-39	488 499		TEE - (MS20825-4D)	1	
-40	401 269	W	BOLT - (AN3-10A)	3	
	494 192		WASHER - (5712-45)	12	
-41	65003-30		BUSHING	3	
-42	434 120		GROMMET - (MS35489-64)	3	
-43	401 300		BOLT - (AN4H-13A)	4	
	407 565	W	WASHER - (AN960-416)	4	

When ordering, always specify Part Number, Description and Serial Number of Aircraft

PIPER PARTS CATALOG

Figure and Index Number	Part Number	Code	NOMENCLATURE	No. Req.	SERIAL NUMBERS AFFECTED
53-44	484 788		"O" RING - (MS28775-012)	8	
-45	476 648	W	NIPPLE - (AN816-4D)	2	
-46	96860-00		CYLINDER - Hydraulic	3	
-47	484 706	W	"O" RING - (AN6227-11)	2	
-48	484 748		"O" RING - (AN6227-8)	1	
-49	755 997		RETAINER - Main gear cylinder (SFD 1400-1)	1	
-50	756 053		RING - Back-up (MS28782-8)	1	
-51	404 321	W	NUT - Nose gear cylinder (AN316-C4R)	1	
-52	452 334		BEARING - Main gear cylinder (PS10020-1-6RX)	2	
-53	452 729		BEARING - Nose gear cylinder (PS10020-1-7RX)	1	
-54	488 351		TEE - (AN784-D4)	2	34-7570001 to 34-7770148 incl
-55	488 383	W	TEE - (AN834-4D)	2	34-7570001 to 34-7770148 incl.
	488 320	W	TEE - (AN824-4D)	2	34-7770149 and up
-56	477 618	W	NUT - (AN924-4D)	3	34-7570001 to 34-7770148 incl.
-57	458 900	W	ELBOW - (AN833-4D)	1	34-7570001 to 34-7770148 incl.
-58	492 041		VALVE - Thermal relief, 2350 psi (AN6245AB4)	1	34-7570001 to 34-7770148 incl.
-59	67600-00		NIPPLE - Restricted	1	
-60	95297-00		ELBOW - Restricted	1	
-61	96166-00		CLIP - Retainer	1	
-62	404 225	W	NUT - Main gear cylinder (AN315-4R)	2	
-63	455 173	W	COUPLING - (AN910-1D)	2	
-64	488 316	W	TEE - (MS20826-4D)	1	
-65	492 201		VALVE - Check (MS24593-4)	1	

When ordering, always specify Part Number, Description and Serial Number of Aircraft

PIPER PARTS CATALOG

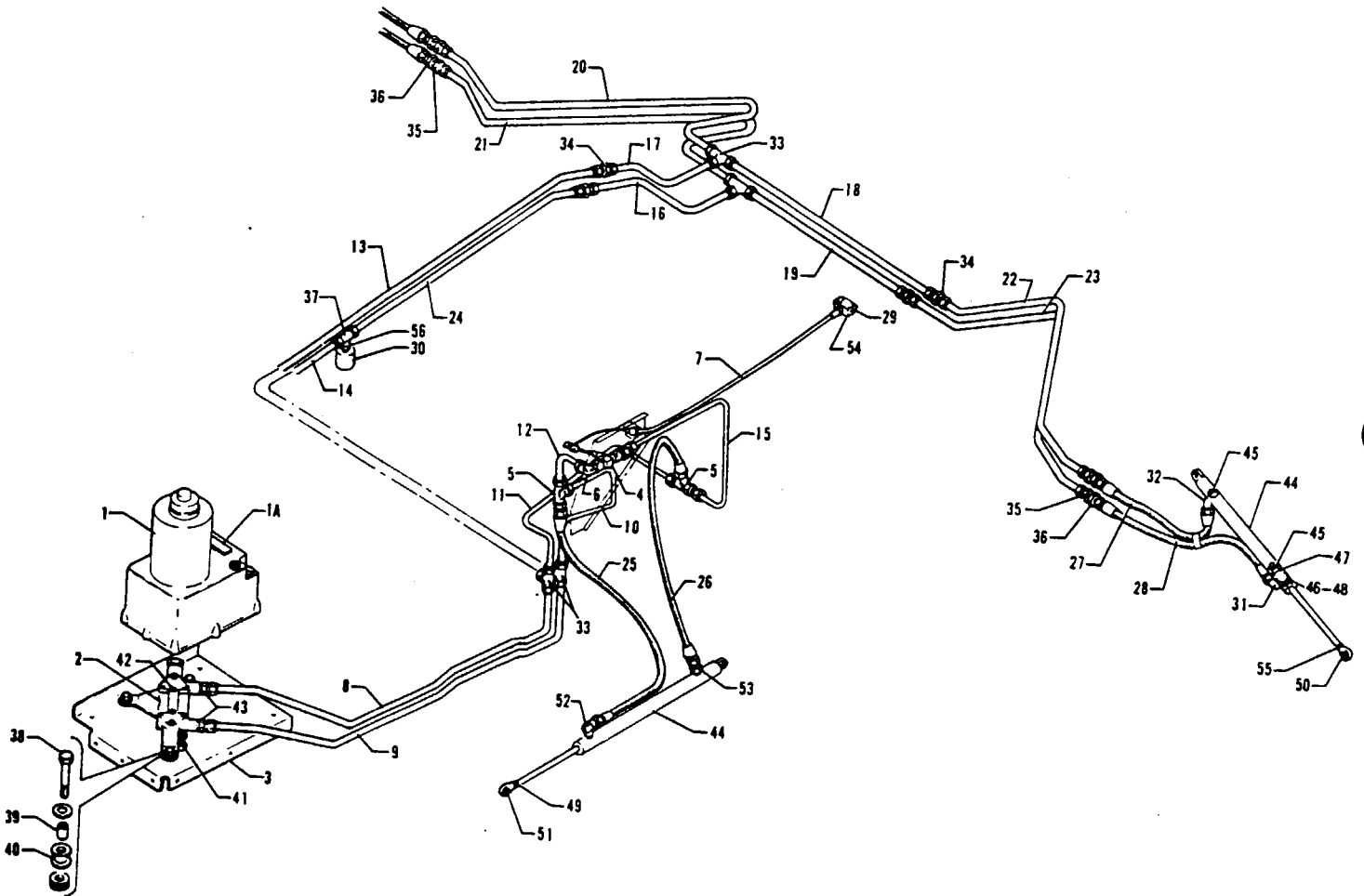


Figure 53A Hydraulic System Installation
(Serial Nos 34-7970105 and up)

REVISED MAY 1983

1L5

PA-34-200T

PIPER PARTS CATALOG

CODE EXPLANATIONS FOR FIGURE 53A

W - These parts must be ordered from Service Spares Department, Piper Aircraft, Lock Haven, Penna.

PIPER PARTS CATALOG

Figure and Index Number	Part Number	Code	NOMENCLATURE	No. Req.	SERIAL NUMBERS AFFECTED
53A-	79854		DRAWING - Hydraulic Landing Gear Installation		
-1	96671-02		PUMP ASSEMBLY - Hydraulic	1	
-1a	87369-22		* PLACARD - Hydraulic fluid spec	1	
-2	96902-00		MOUNT ASSEMBLY - Hydraulic pump	1	
-3	95741-00		DECK ASSEMBLY - Hydraulic pump	1	
-4	492 303		VALVE ASSEMBLY - Landing gear free fall, complete (P100-717)	1	
-5	488 350		TEE - (AN804D4)	2	
-6	458 894	W	ELBOW - (AN822-4D)	1	
-7	63902-31		CABLE ASSEMBLY - Landing gear free fall valve	1	
-8	95153-39		TUBE ASSEMBLY - Gear extension line	1	
-9	95153-40		TUBE ASSEMBLY - Gear retraction line	1	
-10	86238-50		TUBE ASSEMBLY - Nose gear extension line	1	
-11	86238-51		TUBE ASSEMBLY - Nose gear retraction line	1	
-12	86238-53		TUBE ASSEMBLY - Nose gear extension line	1	
-13	67700-161		TUBE ASSEMBLY - Main gear extension line	1	
-14	67700-162		TUBE ASSEMBLY - Main gear retraction line	1	
-15	86238-52		TUBE ASSEMBLY - Nose gear retraction line	1	
-16	95153-45		TUBE ASSEMBLY - Main gear retraction line	1	
-17	95153-46		TUBE ASSEMBLY - Main gear extension line	1	
-18	95153-47		TUBE ASSEMBLY - Main gear extension line	1	
-19	95153-48		TUBE ASSEMBLY - Main gear retraction line	1	
-20	95153-49		TUBE ASSEMBLY - Main gear extension line	1	
-21	95153-50		TUBE ASSEMBLY - Main gear retraction line	1	
-22	95153-51		TUBE ASSEMBLY - Main gear extension line	1	
-23	95153-52		TUBE ASSEMBLY - Main gear retraction line	1	
-24	95153-73		TUBE ASSEMBLY - Main gear retraction line	1	
-25	63901-09		HOSE ASSEMBLY - Nose gear extension port	1	
-26	63901-30		HOSE ASSEMBLY - Nose gear retraction port	1	
-27	63901-09		HOSE ASSEMBLY - Main gear cylinder extension ports	2	
-28	63901-28		HOSE ASSEMBLY - Main gear cylinder retraction ports	2	
-29	96167-00		RETAINER - Cable knob	1	
-30	587 847		SWITCH - Pressure (211 C243-12)	1	
-31	458 894	W	ELBOW - (AN822-4D)	2	
-32	458 891	W	ELBOW - (AN823-4D)	2	
-33	488 320	W	TEE - (AN824-4D)	4	
-34	491 050	W	UNION - (AN815-4D)	4	
-35	491 060	W	UNION - (AN832-4D)	4	
-36	477 618	W	NUT - (AN924-4D)	4	
	407 568	W	WASHER - (AN960-716)	4	
-37	488 499		TEE - (MS20825-4D)	1	
-38	401 269	W	BOLT - (AN3-10A)	3	
	494 192		WASHER - (5712-45)	12	
-39	65003-30		BUSHING	3	
-40	434 120		GROMMET - (MS35489-64)	3	

When ordering, always specify Part Number, Description and Serial Number of Aircraft

PIPER PARTS CATALOG

Figure and Index Number	Part Number	Code	NOMENCLATURE	No. Req.	SERIAL NUMBERS AFFECTED
53A-41	401 300		BOLT - (AN4H-13A)	4	
	407 565	W	WASHER - (AN960-416)	4	
-42	484 788		"O" RING - (MS28775-012)	4	
-43	476 648	W	NIPPLE - (AN816-4D)	2	
-44	96860-00		CYLINDER - Hydraulic	3	
-45	484 706	W	"O" RING - (AN6227-11)	2	
-46	484 748		"O" RING - (AN6227-8)	1	
-47	755 997		RETAINER - Main gear cylinder (SFD1400-1)	1	
-48	756 053		RING - Back up (MS28782-8)	1	
-49	404 321	W	NUT - Nose gear cylinder (AN316-C4R)	1	
-50	452 334		BEARING - Main gear cylinder (PS10020-1-6RX)	2	
-51	452 729		BEARING - Nose gear cylinder (PS10020-1-7RX)	1	
-52	79847-02		ELBOW - Restricted	1	
-53	79846-02		NIPPLE - Restricted	1	
-54	96166-00		CLIP - Retainer	1	
-55	404 225	W	NUT - Main gear cylinder (AN315-4R)	2	
-56	455 173	W	COUPLING - (AN910-1D)	1	

1L9 THRU 1L24
INTENTIONALLY LEFT BLANK



SENECA II
PARTS CATALOG

CARD 2 OF 2

PA-34-200T SENECA II

PIPER AIRCRAFT CORPORATION

2A1

(PART NUMBER 761 589)

Island Enterprises

PIPER PARTS CATALOG

AEROFICHE EXPLANATION AND REVISION STATUS

The Parts Catalog information incorporated in this set of Aerofiche cards has been arranged in accordance with the general specifications of Aerofiche adopted by the General Aircraft Manufacturer's Association

Conversion of Aerofiche alpha/numeric code numbers

First number is the Aerofiche card identifier

Letter is the horizontal line reference per card

Second number is the vertical line reference per card

Example 2J16 = Aerofiche card number two of given set Grid location J16

To aid in locating the various sections and related information desired, the following is provided

A complete Catalog Table of Contents is given at Grid 1A8 of Aerofiche card number 1 of this set Each additional card in this set will have a Table of Contents for all sections on that particular card This table will start at Grid A3

REVISIONS

The information compiled in this Aerofiche Parts Catalog will be kept current by revisions distributed periodically These revisions will supersede all previous revisions and will be complete Aerofiche card replacements and shall supersede Aerofiche cards of the same number in the set

Current Revisions to this PA-34-200T Parts Catalog issued August 12, 1974 are as follows

761 589 (PR750812)	Dated August 1975
761 589 (PR751231)	Dated December 1975
761 589 (PR760924)	Dated September 1976
761 589 (PR770218)	Dated February 1977
761 589 (PR770912)	Dated September 1977
761 589 (PR780912)	Dated September 1978
761 589 (PR790814)	Dated August 1979
761 589 (PR800312)	Dated March 1980
761 589 (PR800818)	Dated August 1980
761 589 (PR810422)	Dated April 1981
761 589 (PR830509)	Dated May 1983

NOTE: Refer to the last card of the Piper - Parts Price List - Aerofiche for a check list of current revision dates and card effectivities for this parts catalog

TABLE OF CONTENTS

FIGURE NUMBER	FIGURE TITLE	GRID NUMBER
SECTION VI POWER PLANT GROUP		
54	Power Plant Installation	2A5
54A	Two Blade Propeller Assembly (Hartzell)	2A9
54B	Three Blade Propeller Assembly (McCauley) (S/N 34-7970001 and up)	2A13
54C	Propeller Synchrophaser System Installation (S/N 34-7970001 and up)	2A17
55	Engine Baffle Installation	2A20
56	Engine Cowl Assembly	2B1
57	Cowl Flap Installation	2B5
58	Engine Controls Installation	2B8
59	Quadrant Assembly	2B12
60	Nacelle Installation	2B15
SECTION VII FUEL SYSTEM GROUP		
61	Fuel System Installation	2B18
62	Engine Instrument Lines Installation	2C1
63	Fuel Tank Assemblies	2C5
SECTION VIII CONTROL SYSTEM GROUP		
64	Aileron Control Installation	2C9
65	Rudder Control Installation	2C13
66	Rudder Trim Installation	2C16
67	Stabilator Control Installation	2C20
68	Stabilator Trim Installation	2D1
69	Flap Control Installation	2D5
70	Control Wheel Installation	2D9
71	Bobweight Installation	2D13
72	Rudder Pedal Installation	2D16
SECTION IX ELECTRICAL SYSTEM GROUP		
73	Electrical System Installation	2D19
74	Instrument Panel Electrical Installation	2E1
74A	Air Conditioning Electrical Installation (S/N 34-7970001 and up)	2E5
75	Strobe Lights Installation	2E8
76	External Power Supply Installation	2E11
77	Landing Light Assembly	2E14
78	Two Blade Propeller Deicer Installation	2E17
78A	Three Blade Propeller Deicer Installation (S/N 34-7970001 and up)	2E20
79	Heated Glass Panel Installation	2F1

TABLE OF CONTENTS

FIGURE NUMBER	FIGURE TITLE	GRID NUMBER
SECTION X ELECTRONICS GROUP		
80	Electric Pitch Trim Installation	2F4
81	AutoControl III B Installation.....	2F7
81A	AltiMatic III C Installation	2F10
81B	King KFC-200 AutoPilot/Flight Director Installation (S/N 34-7970001 and up)	2F14
82	Piper Automatic Locator (ELT) Installation (Garrett Mfg Ltd)	2F17
82A	Piper Automatic Locator (ELT) Installation (Communications Components Corp)	2F20
82B	Piper Automatic Locator (ELT) Installation (Narco Avionics).....	2G1
83	Radio Antenna System and Static Wicks Installation	2G4
84	Audio Selector Assembly.....	2G8
84A	Avionics Cooling Installation.....	2G11
85	Radar Altimeter Installation (Bonzer)	2G14
86	Radar Altimeter Installation (King) (S/N 34-8070001 and up)	2G17
87	Radar System Installation (S/N 34-7870001 and up)	2G20
88	Encoder Installation (Narco - AR 500 & United - 5125-P3) (S/N 34-7770001 and up)	2H1
	Radio Installation Drawings	2H4
SECTION XI MISCELLANEOUS GROUP		
89	Placards and Exterior Stencils	2H7
	Optional Equipment Kits and Repair Kits	2H13
	NUMERICAL INDEX	2H15

PIPER PARTS CATALOG

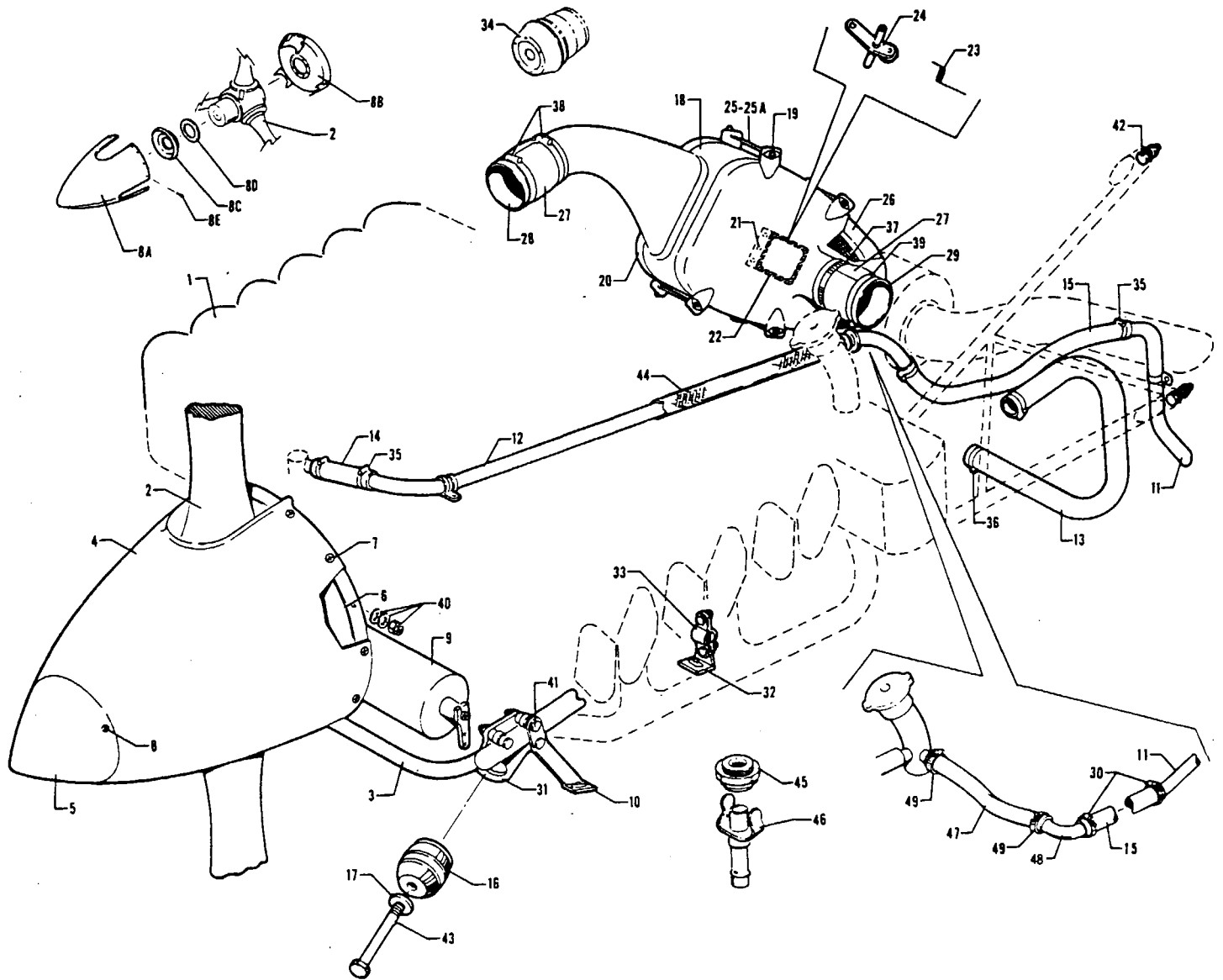


Figure 54 Power Plant Installation

REVISED MAY 1983

PA-34-200T

PIPER PARTS CATALOG

CODE EXPLANATIONS FOR FIGURE 54

- A - See Figure 54A for component parts.
- B - Determine manufacture of governor assembly before ordering. Order governor assembly of same manufacture. Do not mix governor assemblies.
- C - Refer to Figure 54C if Propeller Synchrophaser System is installed.
- D - See Figure 54B for component parts.
- E - Used with Hartzell propeller assembly only.
- F - Used with McCauley propeller assembly only
- W - These parts must be ordered from Service Spares Department, Piper Aircraft, Lock Haven, Penna.

PIPER PARTS CATALOG

Figure and Index Number	Part Number	Code	NOMENCLATURE	No. Req.	SERIAL NUMBERS AFFECTED
54-	37026 37032		DRAWING - Power Plant Installation DRAWING - Induction Air System Installation		
-1			ENGINE ASSEMBLY - Continental (TSIO-360-EB) left	1	
			ENGINE ASSEMBLY - Continental (LTSIO-360-EB) right	1	
-2		A	PROPELLER ASSEMBLY - Hartzell, two-blade	2	
		D	PROPELLER ASSEMBLY - McCauley, three-blade	2	34-7970001 and up
-3	37105-00		MOUNT ASSEMBLY - Engine	2	
-4	37138-02	E	DOME - Spinner, left (C-2284-2)	1	
	37138-03	E	DOME - Spinner, right (C-2284-2L)	1	
-5	37138-04	E	CAP - Spinner (B-3242)	1	
-6	37138-05	E	BULKHEAD UNIT - Spinner (C-2283-1)	1	
-7	415 379	E	SCREW - (MS51958-63)	12	
	756 669	E,W	WASHER - (A-1020)	12	
-8	414 763	E,W	SCREW - (AN507-832R8)	3	
-8a	754 629	F	DOME - Spinner (D-4986)	1	34-7970001 and up
-8b	758 459	F	BULKHEAD AND FILLET ASSEMBLY - (D-4984)	1	34-7970001 and up
-8c	762 359	F	SUPPORT - Spinner (C-3862)	1	34-7970001 and up
-8d	762 360	F	SPACER - Spinner support (C-3863)	1	34-7970001 and up
-8e	763 720	F	WASHER - Fiber (A-1638-5)	27	34-7970001 and up
	762 361	F	SCREW - (A-1635-59)	27	34-7970001 and up
-9	37476-00	B,C	GOVERNOR ASSEMBLY - Propeller, left (Woodward)	1	
	37476-02	B,C	GOVERNOR ASSEMBLY - Propeller, right (Woodward)	1	
	37845-03	B,C	GOVERNOR ASSEMBLY - Propeller, left (Hartzell)	1	
	37845-04	B,C	GOVERNOR ASSEMBLY - Propeller, right (Hartzell)	1	
-10	37658-00		BRACKET ASSEMBLY - Cowl support, left engine outboard, right engine inboard	2	
	37658-01		BRACKET ASSEMBLY - Cowl support, left engine inboard, right engine outboard	2	
-11	37190-00		TUBE - Engine breather	2	
-12	37343-31		TUBE ASSEMBLY - Engine breather	2	34-7570001 to 34-7870492 incl
	67700-149		TUBE ASSEMBLY - Engine breather	2	34-7970001 and up
-13	63633-137		HOSE - Alternator cooling	2	
-14	63913-118		HOSE - Engine breather	2	
-15	63913-119		HOSE - Engine breather	2	34-7570001 to 34-7870492 incl
	63913-176		HOSE - Engine breather	2	34-7970001 and up
-16	470 908		MOUNT - Engine (J9613-58)	8	
-17	62833-99		WASHER	8	
-18	37032-04		BOX ASSEMBLY - Air induction	2	
-19	484 305		* RECEPTACLE - (212-12)	4	
-20	37032-03		COVER ASSEMBLY - Air induction box	2	
-21	23809-07		* DOOR ASSEMBLY - Air induction	1	
-22	23809-04	W	* * GASKET - Rubber sponge	1	
-23	24582-00		* * SPRING - Door	1	
-24	69074-05		* LEVER ASSEMBLY - Air induction	1	
-25	487 724	W	* STUD - (2600-123W)	4	
-25a	494 060	W	* WASHER - (2600-LW)	4	
-26	460 632	W	FILTER - Air (CA-161PL)	2	
-27	37032-25		SUPPORT	8	
-28	37032-26		SLEEVE	2	
-29	37032-27		SLEEVE	2	
-30	454 860	W	CLAMP - (SAE TY A 1 1/8)	2	34-7970032 and up
-31	37107-00		BRACKET - Engine mount	8	
-32	37656-00		BRACKET ASSEMBLY - Cowl support	4	
-33	37657-00		CLAMP - Cowl support	8	
-34	98400-00		HEAT SHIELD - Engine mount	2	

When ordering, always specify Part Number, Description and Serial Number of Aircraft

PIPER PARTS CATALOG

Figure and Index Number	Part Number	Code	NOMENCLATURE	No. Req.	SERIAL NUMBERS AFFECTED
54-35	454 860	W	CLAMP - (SAE TY A-1 1/8)	8	
-36	554 925	W	CLAMP - (SAE TY F-24)	4	
-37	554 866		CLAMP - (SAE TY F-48SS)	2	
-38	554 762	W	CLAMP - (SAE TY F-52SS)	4	
-39	554 673		CLAMP - (MS21920-24)	2	
-40	407 559		WASHER - (AN960-5)	4	
	404 531		NUT - (MS21042-5)	4	
-41	400 014	W	BOLT - (AN4-21A)	24	
	407 565	W	WASHER - (AN960-416)	24	
	404 888	W	NUT - (MS20365-428C)	24	
-42	401 392	W	BOLT - (AN6-10A)	8	
	407 567	W	WASHER - (AN960-616)	8	
	404 890	W	NUT - (MS20365-624C)	8	
-43	401 546		BOLT - (AN7-46A)	8	
	407 568	W	WASHER - (AN960-716)	8	
	404 891	W	NUT - (MS20365-720C)	8	
-44	63913-145		HOSE - Engine breather	1	34-7570001 to 34-7870492 incl
	63913-146		HOSE - Engine breather	1	34-7970001 and up
-45	492 283		VALVE - Oil quick drain (BJ107)	2	
-46	481 357		PROBE - Oil quick drain (107B1)	1	
-47	63913-186		HOSE - Engine breather	1	34-7970032 and up
-48	67700-311		TUBE - Engine breather	1	34-7970032 and up
-49	454 997	W	CLAMP - (SAE TY A-1 1/16)	2	34-7970032 and up

When ordering, always specify Part Number, Description and Serial Number of Aircraft

PIPER PARTS CATALOG

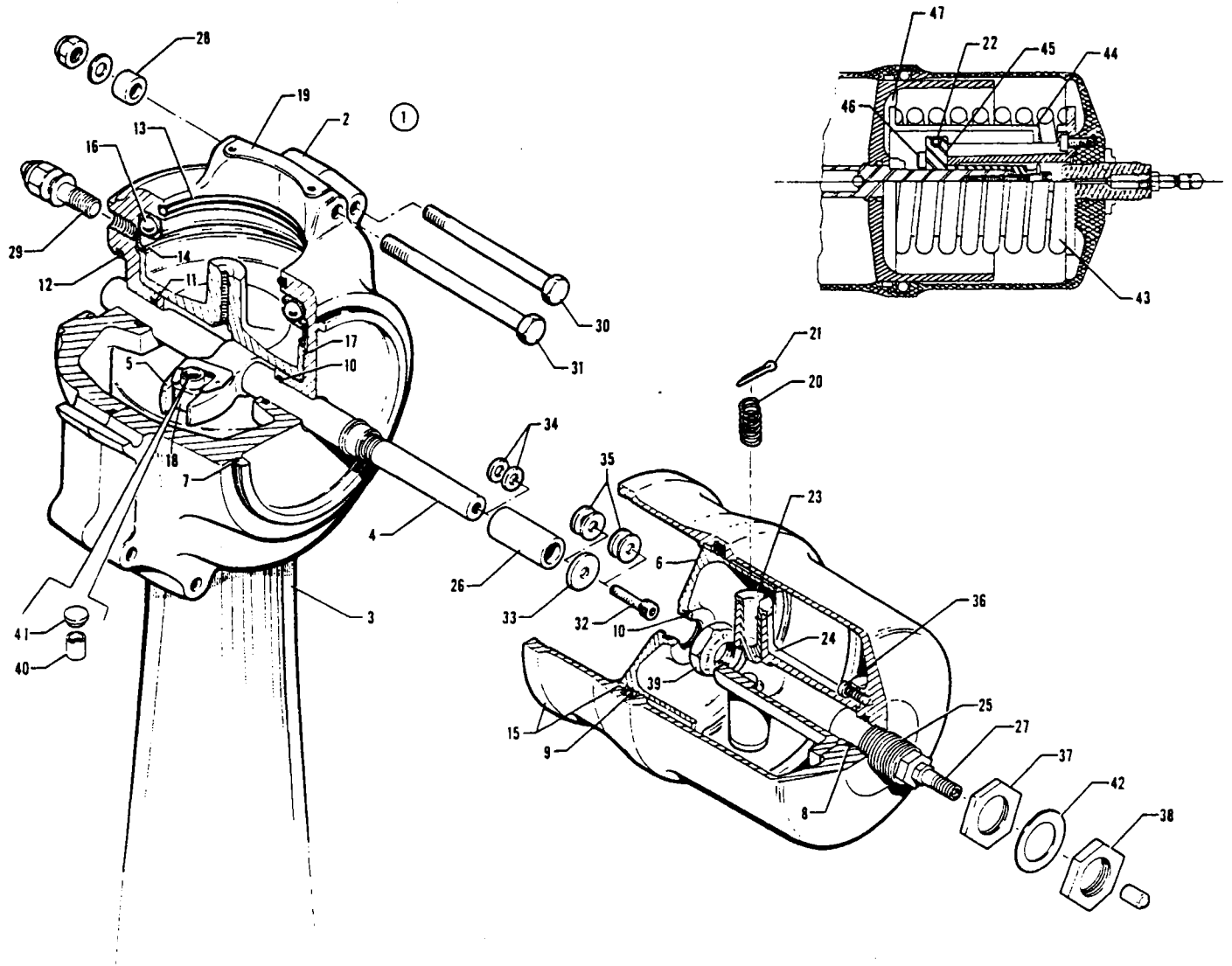


Figure 54A Two Blade Propeller Assembly (Hartzell)

REVISED AUGUST 1979

2A9

PA-34-200T

Island Enterprises

PIPER PARTS CATALOG

CODE EXPLANATIONS FOR FIGURE 54A

- A - Parts included in Propeller Repair Kits, Part No. 756 739 and Part No. 761 100.
- B - Used with Propeller Assemblies BHC-C2YF-2CKF/FC8459-8R and BHC-C2YF-2CLKF/FJC8459-8R.
- C - Used with Propeller Assemblies BHC-C2YF-2CKUF/FC8459-8R and BHC-C2YF-2CLKUF/FJC8459-8R.
- D - Propeller Assemblies BHC-C2YF-2CKF/FC8459-8R and BHC-C2YF-2CLKF/FJC8459-8R are to be installed as a pair and Propeller Assemblies BHC-C2YF-2CKUF/FC8459-8R and BHC-C2YF-2CLKUF/FJC8459-8R are to be installed as a pair. Do not mix Propeller Assemblies.
- E - Parts included in Propeller Repair Kit, Part No. 761 100.
- F - No longer available. Order one each of 550 970 and 550 971.
- W - These parts must be ordered from Service Spares Department, Piper Aircraft, Lock Haven, Penna.

PIPER PARTS CATALOG

Figure and Index Number	Part Number	Code	NOMENCLATURE	No. Req.	SERIAL NUMBERS AFFECTED
54A-1	550 953	D,F	PROPELLER ASSEMBLY - Hartzell (BHC-C2YF-2CKF/FC8459-8R) left	1	
	550 954	D,F	PROPELLER ASSEMBLY - Hartzell (BHC-C2YF-2CLKF/FJC8459-8R) right	1	
	550 970	D	PROPELLER ASSEMBLY - Hartzell ((BHC-C2YF-2CKUF/FC8459-8R) left	1	
	550 971	D	PROPELLER ASSEMBLY - Hartzell (BHC-C2YF-2CLKUF/FJC8459-8R) right	1	
-2	755 265		* HUB ASSEMBLY - Propeller (D-2201-25)	1	
-3	758 330		* BLADE - Propeller (FC8459-8R) left	2	
	758 331		* BLADE - Propeller (FJC8459-8R) right	2	
-4	756 048		* ROD UNIT - Pitch change (B-2491-3)	1	
-5	754 826	W	* FORK UNIT - Pitch change (B-2457-3)	1	
-6	757 321	W	* PISTON - (B-3237)	1	
-7	755 935	A,W	* "O" RING - Cylinder (PRP-909-25)	1	
-8	755 933	A,W	* "O" RING - Stop seal (PRP-914-17)	1	
-9	755 977	A,W	* "O" RING - Cylinder (A-3223)	1	
-10	752 713	A,W	* "O" RING - (PRP-902-15)	2	
-11	755 932	A,W	* "O" RING - Rod (PRP-902-13)	1	
-12	755 800	A,W	* "O" RING - Shaft (PRP-909-6)	1	
-13	755 934	A,W	* "O" RING - Blade (PRP-902-42)	2	
-14	755 968	W	* RING - Bearing guide (A-2204)	1	
-15	753 982	W	* CYLINDER UNIT - (B-2423-1)	1	
-16	753 463	W	* BEARING - Blade, split (A-2202)	2	
-17	757 249	W	* PRELOAD PLATE UNIT - (B-2256)	2	
-18	758 204	W	* BLOCK - Pitch change (A-2217-3)	2	
-19	756 607	W	* WEIGHTS - Balance (A2424)	AR	
-20	757 678	A,B	* SPRING - High stop (A-884-4)	2	
-21	424 061	A,B,W	* COTTER PIN - (AN380-3-5)	2	
-22	762 257	C,E	* SPRING - High stop (A-1596)	2	
-23	757 371	B	* PIN - High stop (A-2407)	2	
-24	753 467	B	* BRACKET - High stop (B-2406-1)	1	
	758 356	C	* BRACKET - High stop (B-1593)	1	
-25	756 293	W	* LOW STOP - (A-2404-1)	1	
-26	756 289	W	* SLEEVE - High stop (A-2499-10)	1	
-27	756 564		* AIR VALVE - Schrader (645A)	1	
-28	756 284	W	* SPACER - (A-2246-4)	4	
-29	762 227		* STUD - Flange (A-2429-3)	6	
	407 569	W	* WASHER - (AN960-816)	6	
	752 544	W	* NUT - (A-2044)	6	
-30	753 461	W	* BOLT - Hex head (A-2431)	6	
	407 587	A,W	* WASHER - (AN960-616L)	6	
	752 511	A,W	* NUT - Elastic (A-2043)	6	
-31	753 462	W	* BOLT - Hex head (A-2433)	4	
	407 587	A,W	* WASHER - (AN960-616L)	4	
	752 511	A,W	* NUT - Elastic (A-2043)	4	
-32	756 291	W	* SCREW - Socket head cap (A-3205)	1	
-33	756 606	W	* WASHER - Feathering stop (A-2411-1)	1	
-34	756 603	W	* WASHER - 1/16" high stop adjustment (A-2435)	AR	
	756 604	W	* WASHER - 1/32" high stop adjustment (A-2435-1)	AR	
-35	407 676	W	* WASHER - 1/16" feather adjustment (AN960-C516)	AR	
	407 677	W	* WASHER - 1/32" feather adjustment (AN960-C516L)	AR	
-36	756 286	W	* SCREW - Filister head (AN501A416-10)	4	
-37	752 566		* NUT - Check (A-2405-3)	1	
-38	752 567		* NUT - Check (A-2405-2)	1	
-39	752 537	W	* NUT - (AN364-1018)	1	
-40	758 280		* BUSHING - Propeller (A-2413-2)	1	
-41	758 282		* BUTTON - Propeller (A-3212-1)	1	
-42	762 228		* SPACER - (A-169-7)	AR	

When ordering, always specify Part Number, Description and Serial Number of Aircraft

PIPER PARTS CATALOG

Figure and Index Number	Part Number	Code	NOMENCLATURE	No. Req.	SERIAL NUMBERS AFFECTED
54A-43	762 260	C	* SPRING - Feathering (B-1594)	1	
-44	762 259	C	* RETAINER - Feathering spring (B-1592)	1	
-45	756 674	C	* WEIGHT - High stop (A-1590)	AR	
-46	762 258	C.E	* SCREW - Shoulder (A-1595)	4	
-47	755 043	C	* GUIDE - Spring (A-1591)	1	

When ordering, always specify Part Number, Description and Serial Number of Aircraft

PIPER PARTS CATALOG

CODE EXPLANATIONS FOR FIGURE 54B

PIPER PARTS CATALOG

Figure and Index Number	Part Number	Code	NOMENCLATURE	No. Req.	SERIAL NUMBERS AFFECTED
54B-1	550 987		PROPELLER ASSEMBLY - McCauley (3AF34C502/80HA-4)	1	
	550 988		PROPELLER ASSEMBLY - McCauley (3AF34C503/L80HA-4)	1	
-2	755 300		* HUB ASSEMBLY - Propeller, left (D-4822/C502)	1	
	755 301		* HUB ASSEMBLY - Propeller, right (D-4822/C503)	1	
-3	752 594		* "O" RING - (A-1633-9)	1	
-4	762 588		* "O" RING - (A-1633-3)	1	
-5	762 589		* "O" RING - (A-1633-22)	AR	
-6	763 021		* ADAPTER - (A-3267)	AR	
-7	755 479		* INSERT - Helicoil (1185-4CNO375)	AR	
-8	762 362		* STUD - (B-3921)	6	
-9	758 460		* BLADE - Propeller, left (80HA-4)	3	
	758 461		* BLADE - Propeller, right (L80HA-4)	3	
-10	763 452		* PISTON ASSEMBLY - Propeller (C-4059-2)	1	
-11	762 590		* "O" RING - (A-1633-39)	1	
-12	755 601		* NUT - (A-1639-2)	6	
-13	763 453		* PLATE ASSEMBLY - Low pitch and latch stop, left (C-4591-1)	1	
	763 454		* PLATE ASSEMBLY - Low pitch and latch stop, right (C-4975-1)	1	
-14	755 602		* NUT - (A1639-4)	2	
	763 721		* WASHER - (A-1638-26)	2	
	762 363		* SCREW - (B-4324)	2	
-15	763 288		* CYLINDER - Feathering (C-4283)	1	
-16	762 354		* SCREW - (A-1635-54)	1	
	763 722		* WASHER - (A-1638-7)	1	
	755 602		* NUT - (A-1639-4)	1	
-17	762 371		* SEAL - (A-1750-2)	1	
-18	763 455		* PIN ASSEMBLY - Actuating (B-4820-1)	3	
-19	761 233		* LINK ASSEMBLY - Left (B-4565)	3	
	761 234		* LINK ASSEMBLY - Right (B-4977)	3	
-20	762 593		* RING - Retaining (A-1636-16)	1	
-21	762 365		* SCREW - (A-1635-78)	12	
-22			* SHIM - Low pitch stop, 0 016 in (B-4281-1)	AR	
			* SHIM - Low pitch stop, 0 008 in (B-4281-2)	AR	
			* SHIM - Low pitch stop, 0 004 in (B-4281-3)	AR	
-23	762 591		* "O" RING - (A-1633-23)	1	
-24	763 456		* PIN - Piston rod (B-3490)	3	
-25	762 594		* RING - Retaining (A-1636-9)	6	
-26	762 598		* ROD ASSEMBLY - Piston (D-3474)	1	
-27	762 369		* SPRING - Outer (A-3269)	1	
-28	762 370		* SPRING - Inner (A-3553)	1	
-29	763 723		* WASHER - (A-4065)	1	
-30	762 595		* RING - Retaining (A-1636-7)	1	
-31	762 632		* "O" RING - (A-1633-77)	3	
-32	762 563		* RETAINER - Split (C-3903) matched pairs	3	
-33	762 318		* BALL - Separator (B-4014)	120	
-34	758 395		* BALL - Bearing (A-1634-6)	120	
-35	762 368		* SHIM - Carrier (B-4649)	3	
-36	762 599		* RACE - Inner (C-3411-1)	3	
-37	762 600		* RACE - Outer (C-3411-2)	3	
-38	762 596		* RING - (A-4427)	3	
-39	762 597		* RING - (B-4426)	3	
-40			* SHIM - 0 033 in (B-4407)	3	
			* SHIM - 0 065 in (B-4407-1)	3	
			* SHIM - 0 051 in (B-4407-2)	3	

When ordering, always specify Part Number, Description and Serial Number of Aircraft

PIPER PARTS CATALOG

Figure and Index Number	Part Number	Code	NOMENCLATURE	No. Req.	SERIAL NUMBERS AFFECTED
548-41			* SHIM - Anti-blade shake, 0 003 in (B-4277-3)	AR	
			* SHIM - Anti-blade shake, 0 004 in (B-4277-4)	AR	
			* SHIM - Anti-blade shake, 0 005 in (B-4277-5)	AR	
			* SHIM - Anti-blade shake, 0 006 in (B-4277-6)	AR	
			* SHIM - Anti-blade shake, 0 007 in (B-4277-7)	AR	
			* SHIM - Anti-blade shake, 0 008 in (B-4277-8)	AR	
			* SHIM - Anti-blade shake, 0 010 in (B-4277-10)	AR	
			* SHIM - Anti-blade shake, 0 012 in (B-4277-12)	AR	
			* SHIM - Anti-blade shake, 0 014 in (B-4277-14)	AR	
			* SHIM - Anti-blade shake, 0 016 in (B-4277-16)	AR	
			* SHIM - Anti-blade shake, 0 018 in (B-4277-18)	AR	
			* SHIM - Anti-blade shake, 0 020 in (B-4277-20)	AR	
-42	762 366		* SCREW - (A-1635-112)	6	
-43	762 367		* SCREW - (A-1635-108)	6	

When ordering, always specify Part Number, Description and Serial Number of Aircraft

PIPER PARTS CATALOG

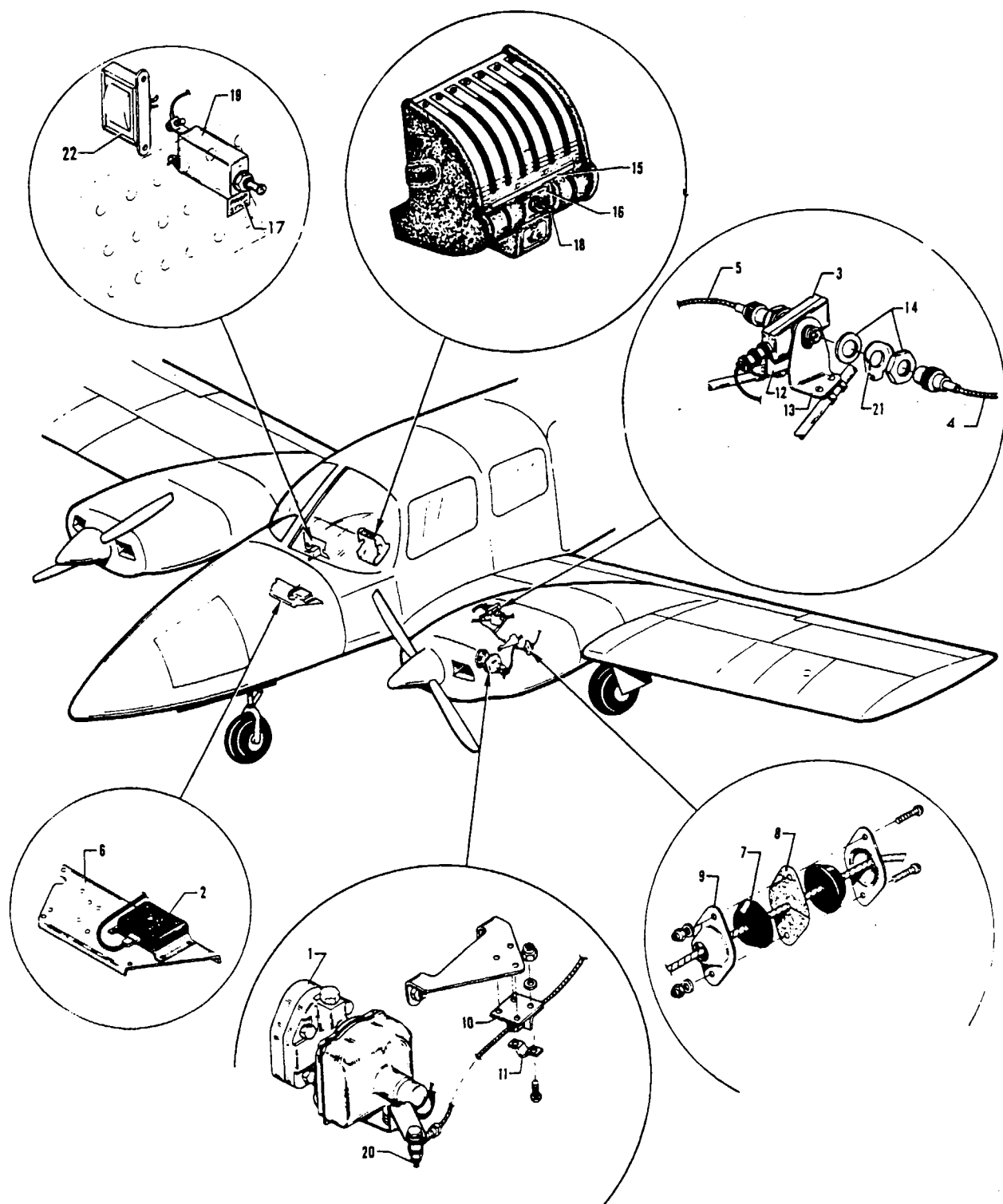


Figure 54C. Propeller Synchrophaser System Installation
(See Code "A" On Next Page For Effectivity)

PIPER PARTS CATALOG

CODE EXPLANATIONS FOR FIGURE 54C

- A - Used on serial nos 34-7970001 and up. Also used on serial nos. 34-7570001 to 34-7870492 incl., if Synchrophaser Installation Kit 764 029 has been installed per Service Spares Letter 362
- B - On aircraft with serial nos. 34-7970001 to 34-8070159 incl. only, order part for serial nos. 34-8070160 and up if Variable Potentiometer Kit 764 004 or complete Synchrophaser Kit 764 029 has been installed per Service Spares Letter 362.
- W - These parts must be ordered from Service Spares Department, Piper Aircraft, Lock Haven, Penna.

PIPER PARTS CATALOG

Figure and Index Number	Part Number	Code	NOMENCLATURE	No. Req.	SERIAL NUMBERS AFFECTED
54C-	36890		DRAWING - Propeller Synchrophaser Installation		
-1	37845-03		GOVERNOR ASSEMBLY - Propeller, left (Hartzell)	1	
	463 201		GOVERNOR ASSEMBLY - Propeller, right (49E-8L) Hartzell	1	
-2	556 503		COMPUTER ASSEMBLY - (57C4362-2)	1	
-3	462 121		PULSE GENERATOR ASSEMBLY - (57A4478)	1	
-4	486 530		SHAFT - Tachometer, left (PS50044-25)	1	
	486 529		SHAFT - Tachometer, right (PS50044-24)	1	
-5	486 531		SHAFT - Tachometer (PS50044-26)	2	
-6	37710-00		BRACKET ASSEMBLY - Mounting	1	
-7	68770-18		GROMMET	4	
-8	22105-08		GASKET	2	
-9	66789-00		PLATE	4	
-10	37833-02		BRACKET ASSEMBLY - Lug	2	
-11	18219-00	W	CLAMP - Control cable	2	
-12	36890-04		BRACKET - Pulse generator attachment, inboard left, outboard right	2	
-13	36890-05		BRACKET - Pulse generator attachment, outboard left, inboard right	2	
-14	477 859		NUT - Pulse generator (A22006)	4	
	407 595	W	WASHER - (AN960-1416L)	4	
-15	35669-111		PLACARD - Take-off and landing operation	1	
-16	35669-112	B	PLACARD - Propeller synchrophaser (manual-auto)	1	34-7970001 to 34-8070159 incl
	35669-186		PLACARD - Propeller synchrophaser adjustment	1	34-8070160 and up
-17	35669-113		PLACARD - Circuit protector, propeller synchrophaser	1	
-18	587 123	B	SWITCH - Synchrophaser mode (JMT-123)	1	34-7970001 to 34-8070159 incl.
	584 178		SWITCH ASSEMBLY - Synchrophaser (B4600)	1	34-8070160 and up
-19	454 714		CIRCUIT PROTECTOR - (PS50120-2-1) 5 AMP	1	
-20	400 054	W	BOLT - (AN3-7)	2	
	407 584	W	WASHER - (AN960-10L)	6	
	404 100	W	NUT - (AN310-3)	2	
	424 051	W	COTTER PIN - (MS24665-132)	2	
-21	36890-07		WASHER - Tab	2	
-22	467 141		INDUCTOR - (24733)	1	34-7970396 to 34-8070159 incl.

When ordering, always specify Part Number, Description and Serial Number of Aircraft

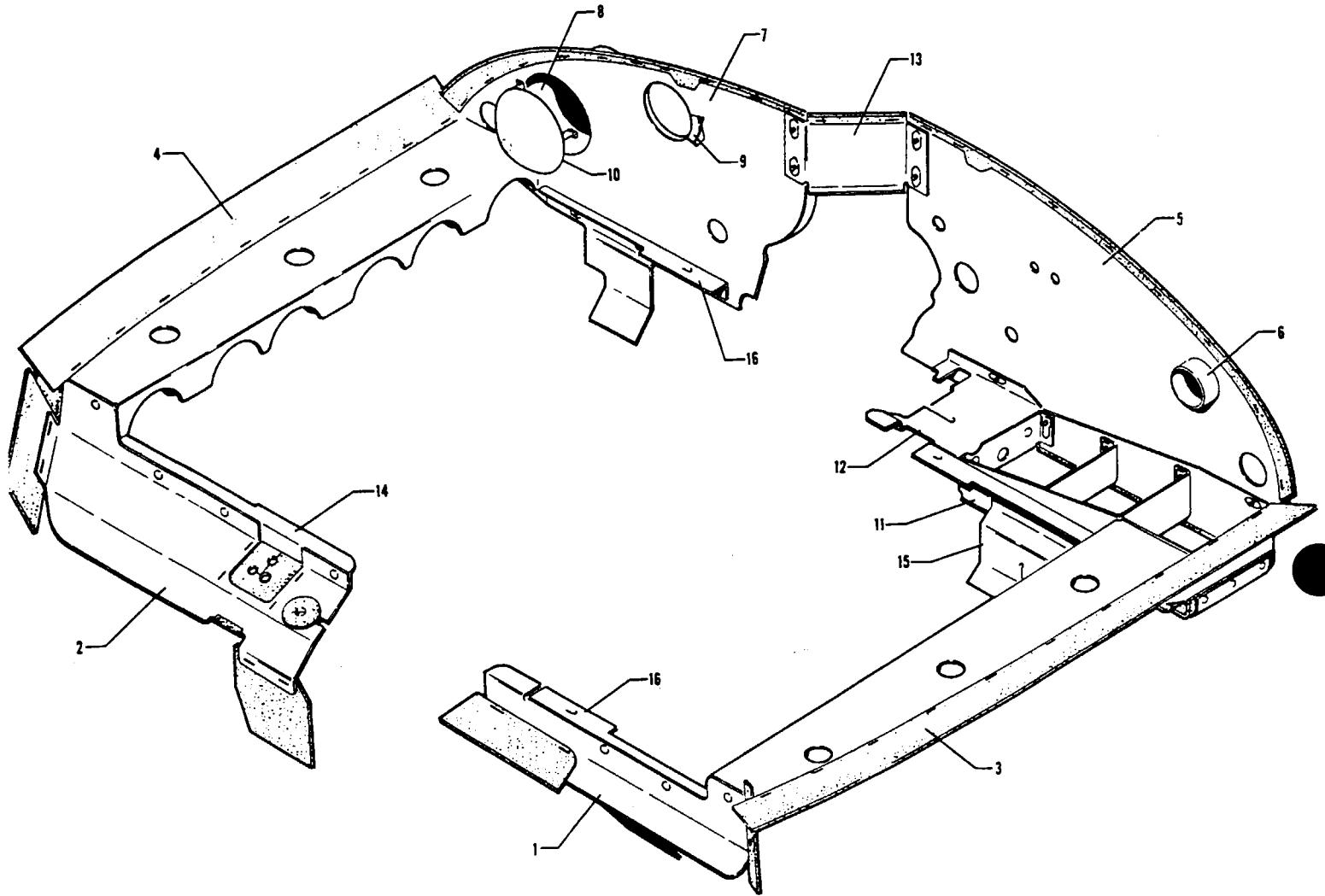


Figure 55. Engine Baffle Installation

2A20

REVISED: SEPTEMBER 1976

PA-34-200T

PIPER PARTS CATALOG

CODE EXPLANATIONS FOR FIGURE 55

PIPER PARTS CATALOG

Figure and Index Number	Part Number	Code	NOMENCLATURE	No. Req.	SERIAL NUMBERS AFFECTED
55-	37495		DRAWING - Engine Baffle Installation		
-1	37119-00		BAFFLE ASSEMBLY - Left forward, left and right engines	2	
-2	37121-00		BAFFLE ASSEMBLY - Right forward, left and right engines	2	
-3	37125-00		BAFFLE ASSEMBLY - Left side, left and right engines	2	
-4	37122-00		BAFFLE ASSEMBLY - Right side, left and right engines	2	
-5	37120-00		BAFFLE ASSEMBLY - Left rear, left and right engines	2	34-7570001 to 34-7870492 incl.
	37120-03		BAFFLE ASSEMBLY - Left rear, left and right engines	2	34-7970001 and up
-6	37598-00		FLANGE ASSEMBLY - Baffle	1	
-7	37175-00		BAFFLE ASSEMBLY - Right rear, left and right engines	2	34-7570001 to 34-7870492 incl.
	37175-03		BAFFLE ASSEMBLY - Right rear, left and right engine	2	34-7970001 and up
-8	37177-00		TUBE ASSEMBLY - Turbo air	1	
-9	37189-00		STIFFENER - Baffle	1	
-10	37142-00		DEFLECTOR ASSEMBLY - Air induct	1	
-11	37126-00		BAFFLE ASSEMBLY - Oil cooler	2	
-12	37179-00		BAFFLE ASSEMBLY - Oil cooler	2	
-13	37178-00		BAFFLE ASSEMBLY - Rear center	2	
-14	37464-00		BAFFLE ASSEMBLY - Right front, left and right engines	2	
-15	37512-00		BAFFLE ASSEMBLY - Left rear, left and right engines	2	
-16	37463-00		BAFFLE ASSEMBLY - Left front and right rear, left and right engines	4	

When ordering, always specify Part Number, Description and Serial Number of Aircraft

2A23 THRU 2A24
INTENTIONALLY LEFT BLANK

PIPER PARTS CATALOG

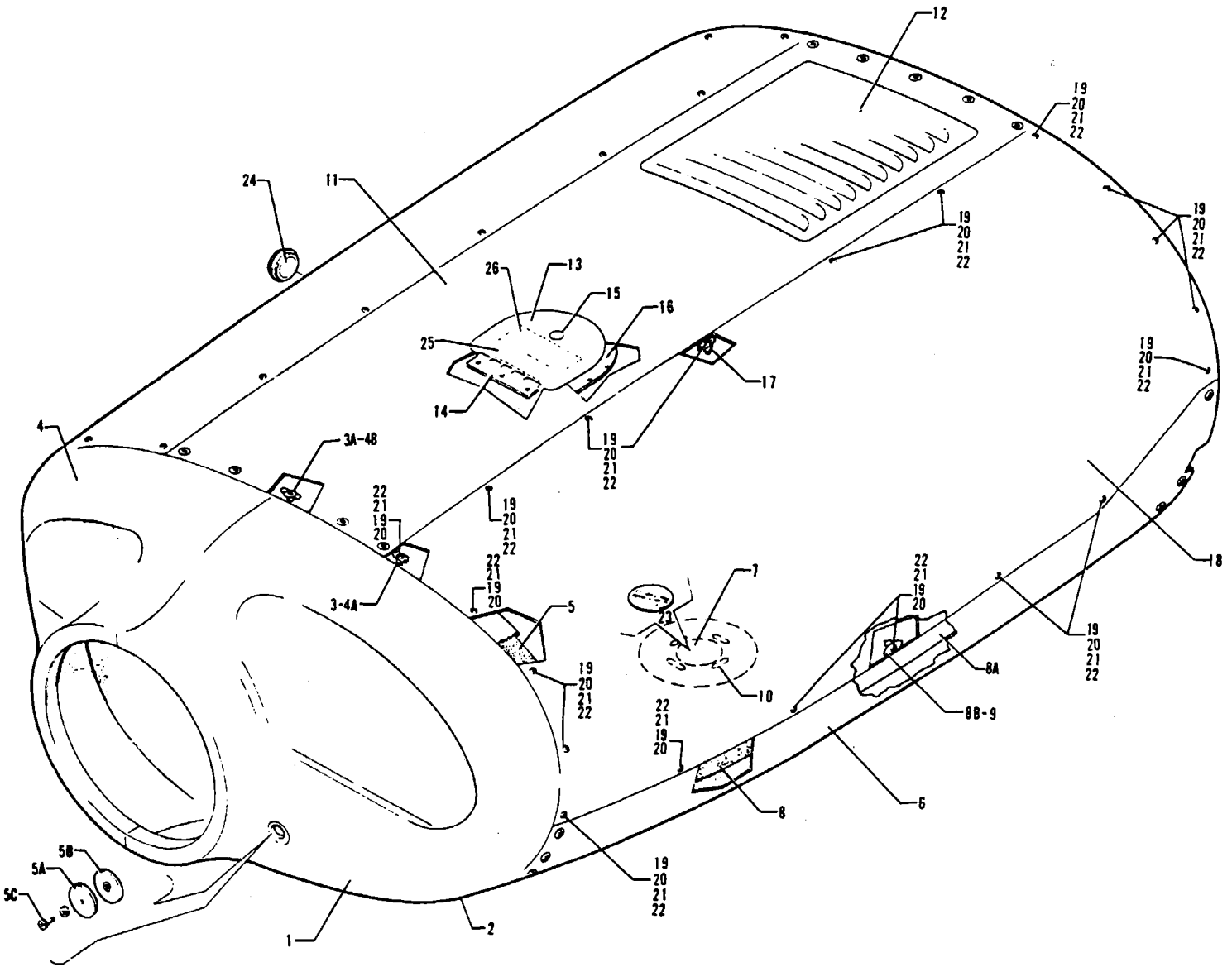


Figure 56 Engine Cowl Assembly

REVISED MAY 1983

2B1

PA-34-200T

Island Enterprises

PIPER PARTS CATALOG

CODE EXPLANATIONS FOR FIGURE 56

W - These parts must be ordered from Service Spares Department, Piper Aircraft, Lock Haven, Penna.

PIPER PARTS CATALOG

Figure and Index Number	Part Number	Code	NOMENCLATURE	No. Req.	SERIAL NUMBERS AFFECTED
56-	37207		DRAWING - Engine Cowl Assembly		
-1	37030-00 67998-00		NOSE COWL ASSEMBLY - Complete NOSE COWL ASSEMBLY - Complete	2 2	34-7570001 to 34-7970001 incl 34-7970002 and up
-2	37030-02 67998-02		* NOSE COWL - Left * NOSE COWL - Left	1 1	34-7570001 to 34-7970001 incl 34-7970002 and up
-3	484 305 584 019		* * RECEPTACLE - (212-12) * * RECEPTACLE - (214-16)	5 5	34-7570001 to 34-7970001 incl 34-7970002 and up
-3a	406 829	W	* * ANCHOR NUT - (NAS686-A3)	9	
-4	37030-03 67998-03		* NOSE COWL - Right * NOSE COWL - Right	1 1	34-7570001 to 34-7970001 incl 34-7970002 and up
-4a	484 305 585 019		* * RECEPTACLE - (212-12) * * RECEPTACLE - (214-16)	5 5	34-7570001 to 34-7970001 incl 34-7970002 and up
-4b	406 829	W	* * ANCHOR NUT - (NAS686-A3)	13	
-5	180 816	W	* WEBBING - Anti-squeak	9	
-5a	37030-14		* DISC - Nose cowl	1	
-5b	37030-16		* DISC ASSEMBLY - Nose cowl	1	
-5c	415 532 407 103	W W	* SCREW - (MS35206-242) * WASHER - (AN935-8)	1 1	
-6	37207-100 37207-104		BOTTOM COWL ASSEMBLY BOTTOM COWL ASSEMBLY	2 2	34-7570001 to 34-7970001 incl 34-7970002 and up
-7	37207-20		* COVER	1	
-8	180 816	W	* WEBBING - Anti-squeak	9	
-8a	37207-14 37207-15 37207-803 37207-802		* STIFFENER - Bottom cowl, left * STIFFENER - Bottom cowl, right * STIFFENER ASSEMBLY - Bottom cowl, left * STIFFENER ASSEMBLY - Bottom cowl, right	1 1 1 1	34-7570001 to 34-7970001 incl 34-7570001 to 34-7970001 incl 34-7970002 and up 34-7970002 and up
-8b	484 293	W	* * RECEPTACLE - (214-16D)	5	34-7970002 and up
-9	484 342	W	* RECEPTACLE - (212-12D)	10	34-7570001 to 34-7970001 incl
-10	406 826	W	* ANCHOR NUT - (NAS686A08K)	12	
-11	37207-101 67995-02		TOP PANEL ASSEMBLY - Cowl TOP PANEL ASSEMBLY - Cowl	2 2	34-7570001 to 34-7970001 incl 34-7970002 and up
-12	37207-23		* LOUVER	1	
-13	67995-07		* DOOR ASSEMBLY - Oil filter	1	
-14	67995-08		* * HINGE ASSEMBLY - Oil filter door	1	
-15	472 017	W	* * LATCH - Oil filter door (KM610-32)	1	
-16	37207-22		* DOUBLER - Door	1	34-7570001 to 34-7970001 incl
-17	484 342 484 293	W W	* RECEPTACLE - (212-12D) * RECEPTACLE - (214-16D)	10 10	34-7570001 to 34-7970001 incl 34-7970002 and up
-18	78726-02 78726-10 78726-03 78726-11		SIDE PANEL ASSEMBLY - Cowl, left SIDE PANEL ASSEMBLY - Cowl, left SIDE PANEL ASSEMBLY - Cowl, right SIDE PANEL ASSEMBLY - Cowl, right	1 1 1 1	34-7570001 to 34-7970001 incl 34-7970002 and up 34-7570001 to 34-7970001 incl 34-7970002 and up
-19	587 633 587 635 587 636 587 637 587 638 587 639 587 675 487 684 487 685 487 687		* STUD - (27S3-5) (Stud length 73) * STUD - (27S3-7) (Stud length 79) * STUD - (27S3-8) (Stud length 82) * STUD - (27S3-9) (Stud length 85) * STUD - (27S3-10) (Stud length 88) * STUD - (27S3-11) (Stud length 91) * STUD - (4002-5) (Stud length 78) * STUD - (4002-7) (Stud length 84) * STUD - (4002-8) (Stud length 87) * STUD - (4002-10) (Stud length 93)	AR AR AR AR AR AR AR AR AR AR	34-7570001 to 34-7970001 incl 34-7570001 to 34-7970001 incl 34-7570001 to 34-7970001 incl 34-7570001 to 34-7970001 incl 34-7570001 to 34-7970001 incl 34-7570001 to 34-7970001 incl 34-7970002 and up 34-7970002 and up 34-7970002 and up 34-7970002 and up

When ordering, always specify Part Number, Description and Serial Number of Aircraft

PIPER PARTS CATALOG

Figure and Index Number	Part Number	Code	NOMENCLATURE	No. Req.	SERIAL NUMBERS AFFECTED
56-20	594 089		* WASHER - (28S10-2)	20	34-7570001 to 34-7970001 incl
-21	463 416	W	* GROMMET - (4002-N)	20	34-7970002 and up
-22	484 755	W	* RING - Snap (R4G)	20	34-7970002 and up
-23	35669-11		PLACARD - Oil drain probe location	2	
-24	474 641	W	MIRROR - Nose gear observation (G300)	1	
-25	63408-00		PLACARD - Oil cooler winterization	2	
-26	87339-02		PLACARD - Oil spec	2	

When ordering, always specify Part Number, Description and Serial Number of Aircraft

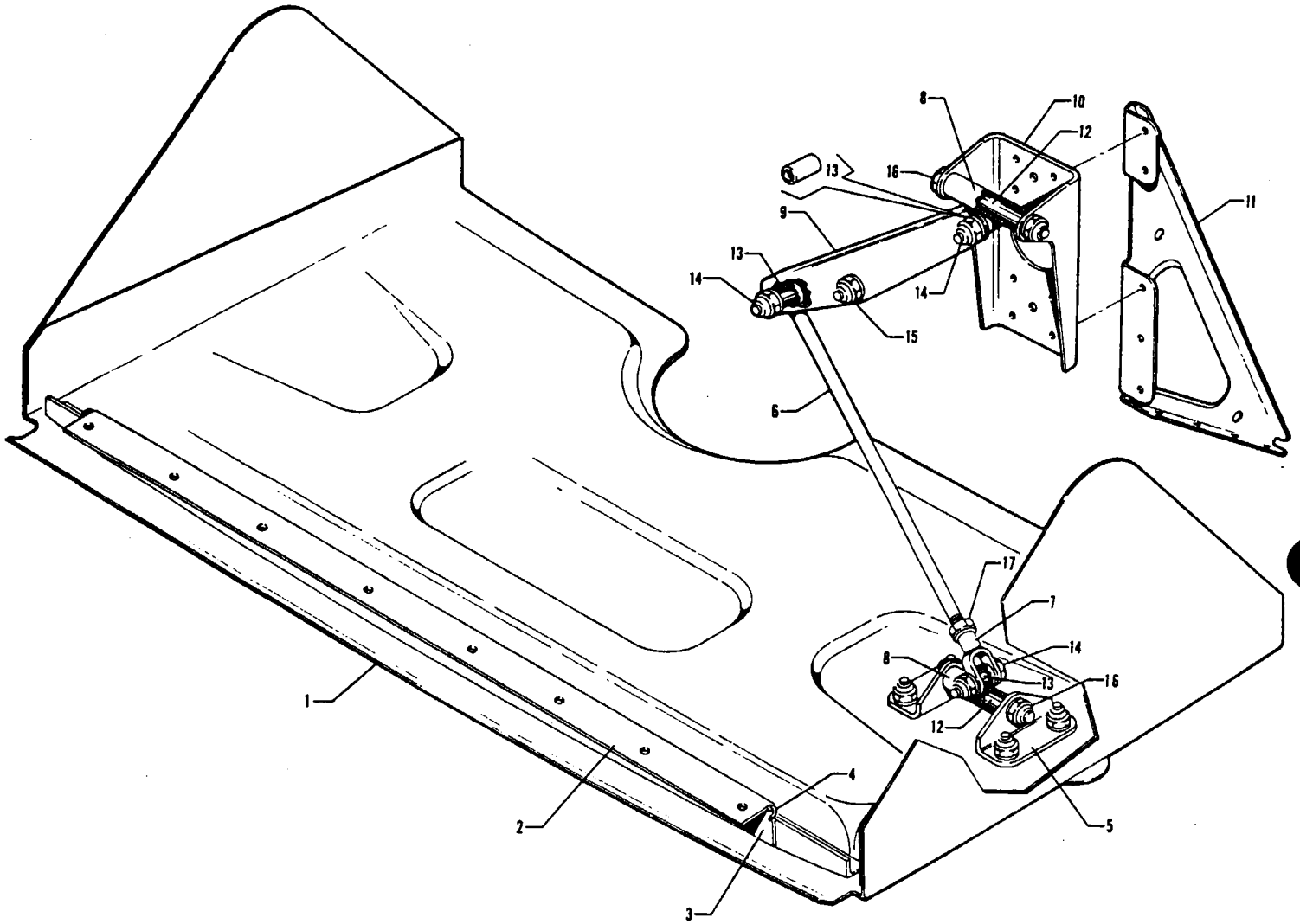


Figure 57. Cowl Flap Installation

PIPER PARTS CATALOG

CODE EXPLANATIONS FOR FIGURE 57

W - These parts must be ordered from Service Spares Department, Piper Aircraft, Lock Haven, Penna.

PIPER PARTS CATALOG

Figure and Index Number	Part Number	Code	NOMENCLATURE	No. Req.	SERIAL NUMBERS AFFECTED
57-	37511		DRAWING - Cowl Flap Installation		
-1	37511-02		FLAP ASSEMBLY - Cowl, left	1	
	37511-03		FLAP ASSEMBLY - Cowl, right	1	
-2	37511-38		* HINGE - Half, forward	1	
-3	37511-37		* HINGE - Half, aft	1	
-4	37511-40		* PIN - Hinge	1	
-5	37511-11		* BRACKET	2	
-6	37511-05		ROD ASSEMBLY - Cowl flap actuation	2	
-7	37511-08		CLEVIS ASSEMBLY - Cowl flap actuation	2	
-8	37511-15		TRUNNION ASSEMBLY - Cowl flap acutation	4	
-9	37511-35		CHANNEL - Cowl flap actuation	2	
-10	37511-32		CHANNEL - Actuation support	2	
-11	37511-29		BRACKET - Actuation support, left	1	
	37511-30		BRACKET - Actuation support, right	1	
-12	37511-18		SPACER	4	
-13	37511-26		SPACER	6	
-14	401 269	W	BOLT - (AN3-10A)	6	
	407 564	W	WASHER - (AN960-10)	6	
	404 887	W	NUT - (MS20365-1032C)	6	
-15	401 269	W	BOLT - (AN3-10A)	2	
	407 584	W	WASHER - (AN960-10L)	4	
	407 564	W	WASHER - (AN960-10)	6	
	404 887	W	NUT - (MS20365-1032C)	2	
-16	400 453	W	BOLT - (AN3-21A)	4	
	407 564	W	WASHER - (AN960-10)	4	
	404 887	W	NUT - (MS20365-1032C)	4	
-17	407 105	W	WASHER - (AN935-416)	2	
	404 225	W	NUT - (AN315-4R)	2	

When ordering, always specify Part Number, Description and Serial Number of Aircraft

PIPER PARTS CATALOG

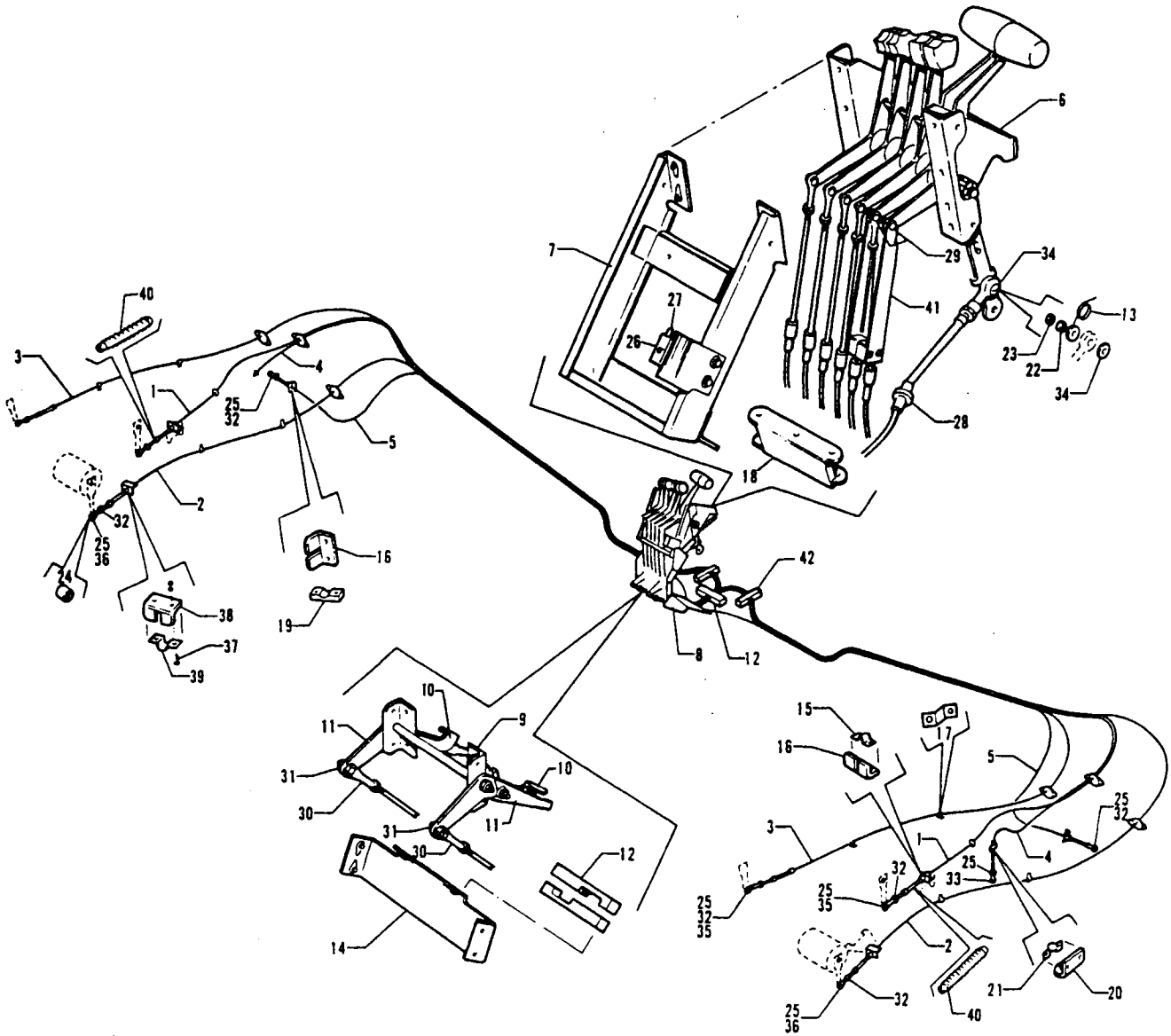


Figure 58 Engine Controls Installation

REVISED: MAY 1983

PIPER PARTS CATALOG

CODE EXPLANATIONS FOR FIGURE 58

- A - See Figure 59 for component parts.
- B - Used when Woodward Governors are installed.
- C - Used when Hartzell Governors are installed.
- D - Also used on aircraft with serial numbers 34-7570001 to 34-7670140 inclusive if Oil Cooler Baffle Winterization Kit 761 049 has been installed per Service Letter 795.
- W - These parts must be ordered from Service Spares Department, Piper Aircraft, Lock Haven, Penna.

PIPER PARTS CATALOG

Figure and Index Number	Part Number	Code	NOMENCLATURE	No. Req.	SERIAL NUMBERS AFFECTED
58-	37037		DRAWING - Engine Controls Installation		
-1	554 321		CABLE ASSEMBLY - Throttle control (PS50146-12-4)	2	
-2	554 293		CABLE ASSEMBLY - Propeller control, left (PS50146-13-26)	1	
	554 294		CABLE ASSEMBLY - Propeller control, right (PS50146-13-23)	1	
-3	554 295		CABLE ASSEMBLY - Mixture control, left (PS50146-13-24)	1	
	554 293		CABLE ASSEMBLY - Mixture control, right (PS50146-13-26)	1	
-4	554 201		CABLE ASSEMBLY - Alternate air control (PS50146-13-25)	2	
-5	554 305		CABLE ASSEMBLY - Cowl flap (PS50146-13-12)	2	
-6	95136-03	A	QUADRANT ASSEMBLY - Control	1	
-7	37584-00		MOUNT ASSEMBLY - Engine controls	1	
-8	37587-00		CONSOLE ASSEMBLY - Control	1	
-9	96080-00		* PIVOT ASSEMBLY - Cowl flap lever	1	
-10	96453-00		* * LEVER - Cowl flap, left	1	
	96453-01		* * LEVER - Cowl flap, right	1	
-11	96061-00		* * LEVER - Cowl flap, left	1	
	96061-01		* * LEVER - Cowl flap, right	1	
-12	96281-03		CLAMP - Cable	4	
-13	96717-00		SPRING - Alternate air	2	
-14	96283-00		BRACKET ASSEMBLY - Cable clamp	1	
-15	18219-00	W	CLAMP - Control cable attachment	6	
-16	18132-00	W	LUG - Control cable support bracket	4	
-17	37123-00		BRACKET - Mixture cable	2	
-18	37586-00		BRACKET ASSEMBLY - Engine controls	1	
-19	37627-00		SPACER	2	
-20	69011-00		LUG - Control cable support bracket	2	
-21	69012-00		CLAMP - Control cable attachment	2	
-22	95061-82		BUSHING	4	
-23	95061-83		BUSHING	4	
-24	95061-118		BUSHING	2	
-25	452 606		BEARING - Rod end (PS10020-16-2)	12	
-26	487 925	W	SWITCH - Gear warning horn (V3-1)	1	
-27	451 834		ACTUATOR - Gear warning horn (JV-7)	1	
-28	484 465	W	RETAINER - Cable (RA-10392N)	6	
-29	424 176	W	PIN - (MS20392-2C15)	2	
	407 564	W	WASHER - (AN960-10)	2	
	407 584	W	WASHER - (AN960-10L)	2	
	494 231		WASHER - Spring (U190-0090)	4	
	424 051	W	COTTER PIN - (MS24665-132)	2	
-30	488 327	W	TERMINAL - Clevis (AN665-21R)	8	
-31	424 174	W	PIN - (MS20392-2C11)	6	
	407 584	W	WASHER - (AN960-10L)	6	
	424 051	W	COTTER PIN - (MS24665-132)	6	
-32	407 043	W	WASHER - Lock (MS35338-43)	18	
	404 224	W	NUT - (AN315-3R)	18	
-33	400 441	W	BOLT - (AN3-7A)	2	
	62833-101		WASHER - (56 O D)	2	
	407 564	W	WASHER - (AN960-10)	6	
	404 991		NUT - (AN365-1032C)	2	
-34	400 869	W	BOLT - (AN23-17A)	2	
	62833-101		WASHER	2	
	407 564	W	WASHER - (AN960-10)	4	
	404 835	W	NUT - (MS20364-1032C)	2	

When ordering, always specify Part Number, Description and Serial Number of Aircraft

PIPER PARTS CATALOG

Figure and Index Number	Part Number	Code	NOMENCLATURE	No. Req.	SERIAL NUMBERS AFFECTED
58-35	400 054	W	BOLT - (AN3-7)	4	34-7670141 and up
	62833-101		WASHER	4	
-36	407 043	W	WASHER - Lock (MS35338-43)	8	
	404 100	W	NUT - (AN310-3)	4	
	424 051	W	COTTER PIN - (MS24665-132)	4	
	400 058	B.W	BOLT - (AN3-13)	2	
	400 054	C.W	BOLT - (AN3-7)	2	
	62833-101		WASHER	2	
	407 043	W	WASHER - Lock (MS35338-43)	4	
	407 564	B.W	WASHER - (AN960-10)	2	
	407 584	C.W	WASHER - (AN960-10L)	2	
	404 100	W	NUT - (AN310-3)	2	
-37	424 051	W	COTTER PIN - (MS24665-132)	2	
	415 536	C.W	SCREW - (MS35206-246)	4	
	407 583	C	WASHER - (AN960-8L)	4	
-38	404 910	C.W	NUT - (MS20365-832C)	4	
	37833-02	C	BRACKET ASSEMBLY - Lug	2	
-39	18132-00	B.W	LUG - Control cable support bracket	2	
	18219-00	B.W	CLAMP - Control cable attachment	2	
-40	553 182	D.W	BOOT - Throttle cable (AD1204-1)	2	
-41	96163-00		ACTUATOR ASSEMBLY - Gear warning horn, left	1	
	96163-01		ACTUATOR ASSEMBLY - Gear warning horn, right	1	
-42	96281-02		CLAMP - Cable	2	

When ordering, always specify Part Number, Description and Serial Number of Aircraft

PIPER PARTS CATALOG

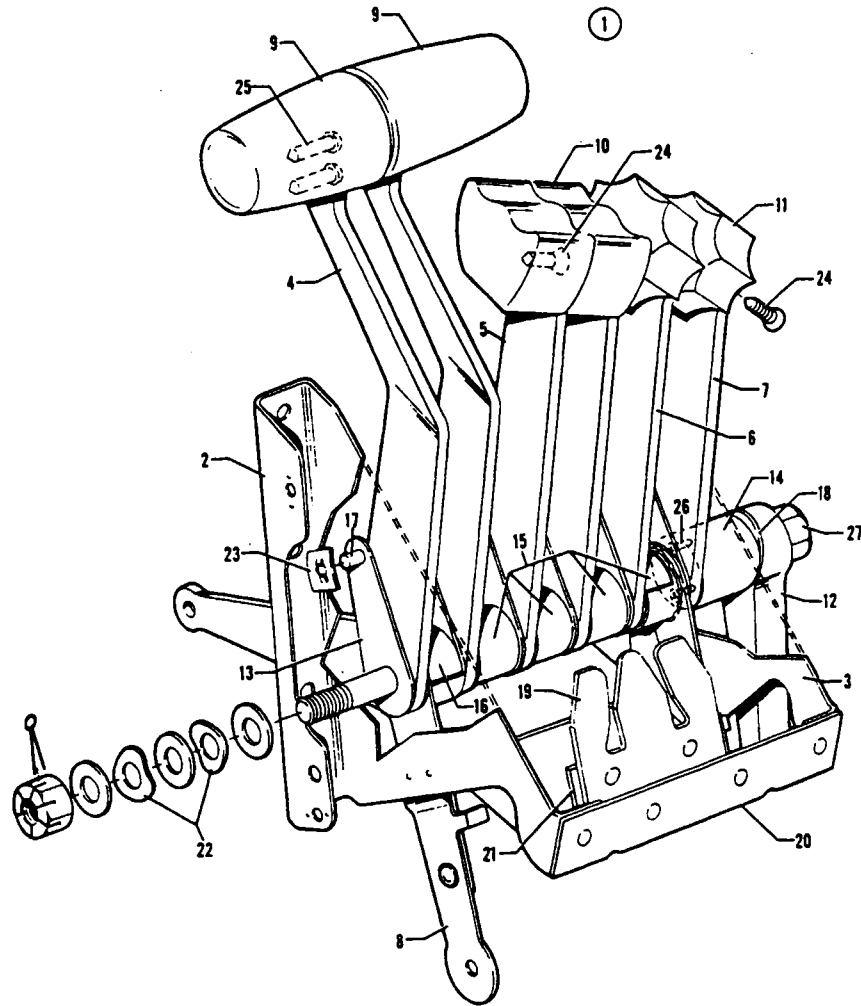


Figure 59 Quadrant Assembly

REVISED MAY 1983

2B12

PA-34-200T

Island Enterprises

PIPER PARTS CATALOG

CODE EXPLANATIONS FOR FIGURE 59

W - These parts must be ordered from Service Spares Department, Piper Aircraft, Lock Haven, Penna.

PIPER PARTS CATALOG

Figure and Index Number	Part Number	Code	NOMENCLATURE	No. Req.	SERIAL NUMBERS AFFECTED
59-1	95136-03		QUADRANT ASSEMBLY - Control	1	
-2	96720-00		* BRACKET ASSEMBLY - Quadrant, left	1	
-3	96721-00		* BRACKET ASSEMBLY - Quadrant, right	1	
-4	95138-00		* LEVER - Throttle control	2	
-5	95139-00		* LEVER ASSEMBLY - Propeller control	2	
-6	37478-00		* LEVER - Mixture control, left	1	
-7	37479-00		* LEVER - Mixture control, right	1	
-8	37576-00		* LEVER ASSEMBLY - Alternate air, left	1	
	37576-01		* LEVER ASSEMBLY - Alternate air right	1	
-9	95137-00		* KNOB - Throttle control	2	
-10	24047-00		* KNOB - Propeller control	2	
-11	24048-00		* KNOB - Mixture control	2	
-12	66773-00		* HANDLE - Quadrant adjusting	1	
-13	67218-00		* PLATE - Friction	12	
-14	66774-00		* CAM - Quadrant adjusting	1	
-15	68699-12		* SPACER - Quadrant control	4	
-16	68699-13		* SPACER - Quadrant control	1	
-17	95148-02		* ROD - Quadrant control	1	
-18	62833-46		* WASHER - Friction	1	
-19	78713-00		* PLATE ASSEMBLY - Propeller feather stop	1	
-20	96895-00		* CHANNEL ASSEMBLY - Propeller feather stop support	1	
-21	96894-00		* ANGLE ASSEMBLY - Propeller feather stop support, upper	1	
-22	408 815	W	* WASHER - (3502-18-04)	2	
-23	406 345	W	* NUT - (A109-014-1)	2	
-24	414 515	W	* SCREW - (MS24693-S48)	4	
-25	415 495	W	* SCREW - (MS35206-230)	4	
-26	414 490		* SCREW - (MS24693-S2)	2	
-27	400 194		* BOLT - (AN5-54)	1	
	407 586	W	* WASHER - (AN960-516L)	3	
	404 394	W	* NUT - (AN320-5)	1	
	424 052	W	* COTTER PIN - (MS24665-134)	1	

When ordering, always specify Part Number, Description and Serial Number of Aircraft

PIPER PARTS CATALOG

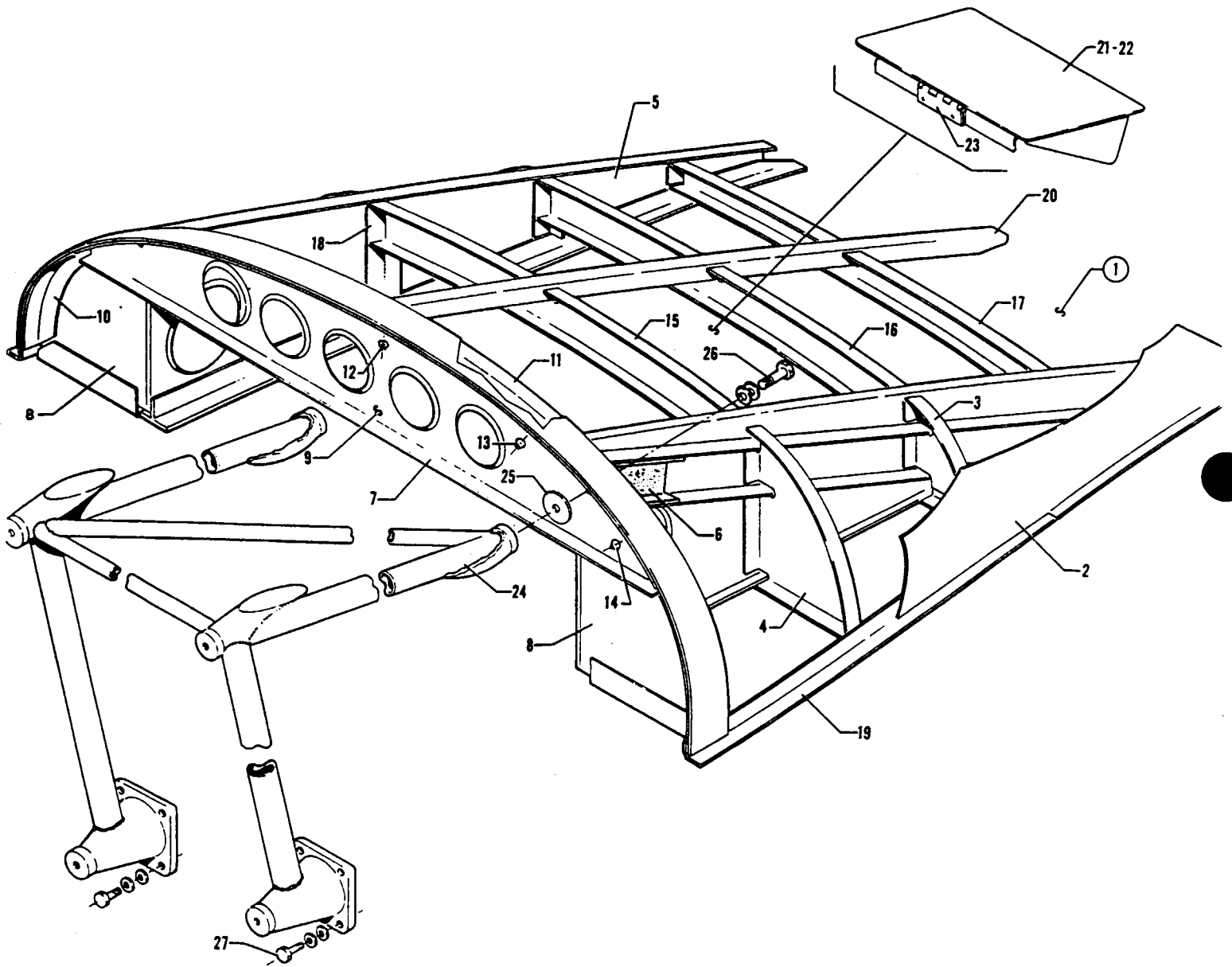


Figure 60 Nacelle Installation

REVISED MAY 1983

2B15

PA-34-200T

Island Enterprises

PIPER PARTS CATALOG

CODE EXPLANATIONS FOR FIGURE 60

- A - All items on this installation are component parts of wing assembly.
- B - Used if air conditioning is installed.
- W - These parts must be ordered from Service Spares Department, Piper Aircraft, Lock Haven, Penna.

PIPER PARTS CATALOG

Figure and Index Number	Part Number	Code	NOMENCLATURE	No. Req.	SERIAL NUMBERS AFFECTED
60-	37093 37239		DRAWING - Wing Assembly (Complete) DRAWING - Wing Assembly		
-1	37526-00 37526-01 37526-34 37526-11 37526-35	B	NACELLE ASSEMBLY - Aft, left NACELLE ASSEMBLY - Aft, right NACELLE ASSEMBLY - Aft, left NACELLE ASSEMBLY - Aft, left NACELLE ASSEMBLY - Aft, right	1 1 1 1 1	34-7570001 to 34-7870492 incl 34-7570001 to 34-7870492 incl 34-7970001 and up 34-7970001 and up 34-7970001 and up
-2	37526-04 37526-12 37526-05	B	* SKIN - Nacelle, left * SKIN - Nacelle, left * SKIN - Nacelle, right	1 1 1	34-7970001 and up
-3	37417-00 37417-01		* FRAME - Nacelle, outboard left nacelle, inboard right nacelle * FRAME - Nacelle, inboard left nacelle, outboard right nacelle	1 1	
-4	37418-00 37418-01		* FRAME - Nacelle, outboard left nacelle, inboard right nacelle * FRAME - Nacelle, inboard left nacelle, outboard right nacelle	1 1	
-5	37441-00 37441-01		* LONGERON ASSEMBLY - Outboard left nacelle, inboard right nacelle * LONGERON ASSEMBLY - Inboard left nacelle, outboard right nacelle	1 1	
-6	37404-00 37404-01		* * FITTING - Engine mount, outboard left nacelle, inboard right nacelle * * FITTING - Engine mount, inboard left nacelle, outboard right nacelle	1 1	
-7	37443-00 37443-04 37443-03	B	* BULKHEAD ASSEMBLY - Nacelle * BULKHEAD ASSEMBLY - Nacelle * BULKHEAD ASSEMBLY - Nacelle, left	1 1 1	34-7570001 to 34-7870492 incl 34-7970001 and up 34-7970001 and up
-8	37419-00 37419-01		* * FRAME - Nacelle, left * * FRAME - Nacelle, right	1 1	
-9	37420-00		* * FORMER - Nacelle	1	
-10	37430-00 37430-01		* * ANGLE - Nacelle, left * * ANGLE - Nacelle, right	1 1	
-11	37431-00		* * ANGLE - Nacelle	1	
-12	406 826 484 293	W	* * NUTPLATE - (NAS686A08K) * * RECEPTACLE - (214-16D)	5 5	34-7570001 to 34-7870492 incl 34-7970001 and up
-13	406 826 484 342	W	* * NUTPLATE - (NAS686A08K) * * RECEPTACLE - (212-12D)	2 2	34-7570001 to 34-7870492 incl 34-7970001 and up
-14	406 826 584 134	W	* * NUTPLATE - (NAS686A08K) * * RECEPTACLE - (KM786-16N-60CV)	6 6	34-7570001 to 34-7870492 incl 34-7970001 and up
-15	37415-00		* FORMER - Nacelle	1	
-16	37416-00		* FORMER - Nacelle	1	
-17	37405-00		* FORMER - Nacelle	1	
-18	37432-00 37432-01		* ANGLE - Nacelle, outboard left nacelle, inboard right nacelle * ANGLE - Nacelle, inboard left nacelle, outboard right nacelle	1 1	
-19	37459-00 37459-01		* ANGLE - Nacelle, outboard left nacelle, inboard right nacelle * ANGLE - Nacelle, inboard left nacelle, outboard right nacelle	1 1	
-20	37458-00		* STRINGER - Nacelle skin	1	
-21	37526-15	B	* DOOR ASSEMBLY - Vent, left (on left nacelle)	1	34-7970001 and up
-22	37526-16	B	* DOOR ASSEMBLY - Vent, right (on left nacelle)	1	34-7970001 and up
-23	37526-24	B	* HINGE ASSEMBLY - Vent door	2	34-7970001 and up
-24	37112-00		SUPPORT ASSEMBLY - Engine mount	2	
-25	62833-102		WASHER	4	
-26	401 394 407 567 404 986	W	BOLT - (AN6-13A) WASHER - (AN960-616) NUT - (MS20365-624C)	4 8 4	
-27	401 310 407 565	W	BOLT - (AN4-10A) WASHER - (AN960-416)	16 16	

When ordering, always specify Part Number, Description and Serial Number of Aircraft

PIPER PARTS CATALOG

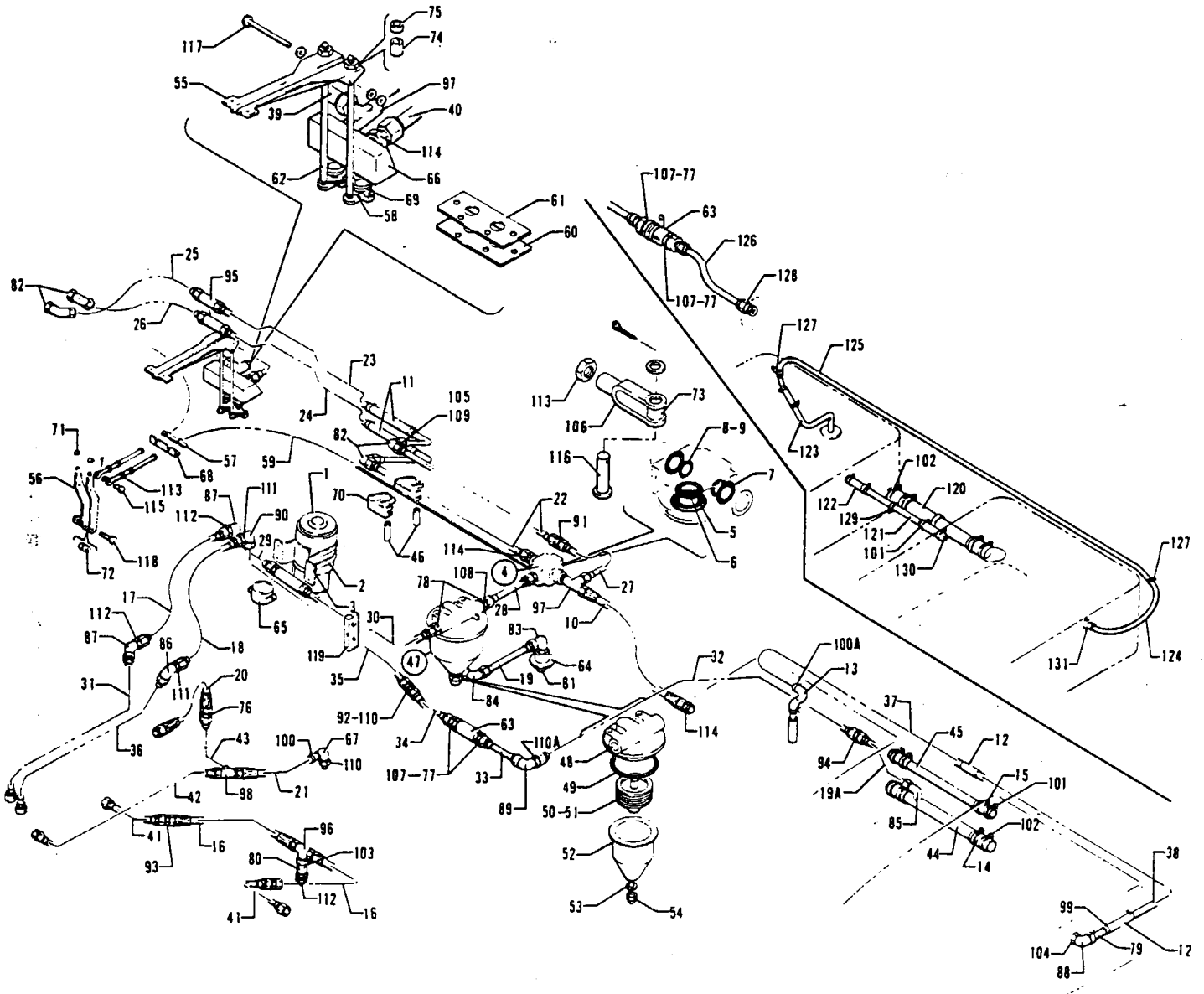


Figure 61. Fuel System Installation

REVISED: SEPTEMBER 1976

2B18

PA-34-200T

PIPER PARTS CATALOG

CODE EXPLANATIONS FOR FIGURE 61

- A - Order part for serial numbers 34-7570309 and up if Auxiliary Fuel System Modification Kit 706 925 has been installed per Service Letter 754.
- B - Used if optional center fuel cell is not installed.
- C - Used if air conditioning is installed.
- D - Used if air conditioning is not installed.
- W - These parts must be ordered from Service Spares Department, Piper Aircraft, Lock Haven, Penna.

PIPER PARTS CATALOG

Figure and Index Number	Part Number	Code	NOMENCLATURE	No. Req.	SERIAL NUMBERS AFFECTED
61-	37077		DRAWING - Fuel System Installation		
-1	481 756 481 776	A	PUMP - Electric fuel (2B6-28) PUMP - Electric fuel (2B6-44)	2 2	34-7570001 to 34-7570308 incl 34-7570309 and up
-2	98489-02		STRAP - Fuel pump	4	
-3	98490-02		BASE - Fuel pump strap	2	
-4	492 189		VALVE ASSEMBLY - Fuel selector (PS50036-1-1)	2	
-5	755 834	W	* PACKING - (19006)	1	
-6	755 835	W	* PACKING - (19007)	1	
-7	755 836	W	* PACKING - (19008)	2	
-8	755 837	W	* PACKING - (2800C12D)	2	
-9	757 633	W	* SEAL - Fuel selector valve (15709)	1	
-10	63901-71		HOSE ASSEMBLY - Fuel	2	
-11	63904-12		HOSE - Line protector	4	
-12	69015-41		HOSE - Fuel vent	4	34-7570002 to 34-7670113 incl
-13	63913-112		HOSE - Fuel vent	2	34-7570002 to 34-7670113 incl
-14	63913-92		HOSE - Fuel tank interconnect	4	34-7570002 to 34-7670113 incl
-15	63913-93		HOSE - Fuel tank interconnect	4	34-7570002 to 34-7670113 incl
-16	63901-76		HOSE ASSEMBLY - Cylinder drain	4	
-17	63901-38		HOSE ASSEMBLY - Fuel supply	2	
-18	97499-19 97499-30 97499-19 97499-19	C D	HOSE ASSEMBLY - Vapor return HOSE ASSEMBLY - Vapor return, left HOSE ASSEMBLY - Vapor return, left HOSE ASSEMBLY - Vapor return, right	2 1 1 1	34-7570001 to 34-7870492 incl 34-7970001 and up 34-7970001 and up 34-7970001 and up
-19	97499-20		HOSE ASSEMBLY - Filter drain	2	
-19a	97499-20		HOSE ASSEMBLY - Vapor return	2	34-7570002 to 34-7670113 incl
-20	97499-21		HOSE ASSEMBLY - Manifold drain	2	
-21	97499-22		HOSE ASSEMBLY - Fuel drain	2	
-22	95153-115		LINE - Fuel crossfeed	4	
-23	95153-111		LINE - Fuel crossfeed	1	
-24	95153-112		LINE - Fuel crossfeed	1	
-25	95153-113		LINE - Fuel crossfeed	1	
-26	95153-114		LINE - Fuel crossfeed	1	
-27	95153-152		LINE - Fuel crossfeed	2	
-28	95153-136		LINE - Fuel supply	4	
-29	95153-143		LINE - Fuel supply	2	
-30	95153-144		LINE - Fuel supply, left	1	
	95153-145		LINE - Fuel supply, right	1	
-31	95153-153		LINE - Fuel supply	2	
-32	95153-137		LINE - Vapor return	2	34-7570002 to 34-7670113 incl
-33	95153-138		LINE - Vapor return	2	34-7570002 to 34-7670113 incl
-34	95153-139		LINE - Vapor return, left	1	
	95153-140		LINE - Vapor return, right	1	
-35	95153-141		LINE - Vapor return, left	1	34-7570001 to 34-7870492 incl
	67700-193	C	LINE - Vapor return, left	1	34-7970001 and up
	95153-141	D	LINE - Vapor return, left	1	34-7970001 and up
	95153-142		LINE - Vapor return, right	1	
-36	95153-154		LINE - Vapor return	2	
-37	95153-146		LINE - Fuel vent	2	34-7570002 to 34-7670113 incl
-38	95153-29		LINE - Fuel vent	2	34-7570002 to 34-7670113 incl
-39	95153-110		LINE - Fuel drain	1	
-40	37167-21		LINE - Fuel drain	1	
-41	95153-150		LINE - Cylinder drain	4	

When ordering, always specify Part Number, Description and Serial Number of Aircraft

PIPER PARTS CATALOG

Figure and Index Number	Part Number	Code	NOMENCLATURE	No. Req.	SERIAL NUMBERS AFFECTED
61-42	95153-149		LINE - Pump and cylinder drain	2	
-43	95153-148		LINE - Manifold drain	2	
-44	37412-00		TUBE ASSEMBLY - Fuel tank interconnect	2	34-7570002 to 34-7670113 incl
-45	96501-00		TUBE ASSEMBLY - Fuel tank interconnect	2	34-7570002 to 34-7670113 incl
-46	63904-61		TUBE - Fuel line collector	4	
-47	98487-00		FILTER ASSEMBLY - Fuel	2	
-48	751 983	W	* HEAD AND STUD ASSEMBLY - Fuel filter	1	
-49	757 255	W	* PACKING - "O" Ring, head and stud assembly	1	
-50	753 986	W	* CARTRIDGE ASSEMBLY - Fuel filter	1	
-51	751 821	W	* * FILTER - Cartridge assembly	5	
-52	753 987	W	* CONTAINER - Fuel filter	1	
-53	751 898	W	* GASKET - Container nut	1	
-54	752 517	W	* NUT - Container	1	
-55	96970-00		HANDLE - Drain valve, fuel, left	1	
	96970-01		HANDLE - Drain valve, fuel, right	1	
-56	96085-00		LEVER - Fuel selector valve, left	1	
	96085-02		LEVER - Fuel selector valve, right	1	
-57	96039-02		CLAMP - Cable housing retainer	1	
-58	96977-00		BALE - Control foot valve	2	
-59	555 445 .		CABLE ASSEMBLY - Fuel selector (PS50146-13-17)	2	
-60	96976-00		GASKET - Fuel drain, rubber	1	
-61	96976-02		GASKET - Fuel drain, aluminum	1	
-62	96975-00		ROD ASSEMBLY - Drain valve, fuel	2	
-63	97328-00		CHECK VALVE - Vapor return	2	
-64	37858-02		ADAPTER - Fuel drain	2	
-65	97464-04		CLAMP ASSEMBLY - Fuel pump mounting	4	
-66	37187-00		MANIFOLD - Fuel drain	1	
-67	37659-00		ELBOW - Fuel drain	2	
-68	96037-02		RETAINER - Cable housing	1	
-69	492 202		VALVE ASSEMBLY - (PS50036-2-1)	2	
-70	96650-00		COLLECTOR - Fuel drain, left, aft	1	
	78536-00		COLLECTOR - Fuel drain, left, forward	1	
	96650-01		COLLECTOR - Fuel drain, right, forward	1	
	78536-01		COLLECTOR - Fuel drain, right, aft	1	
-71	22287-03	W	KNOB ASSEMBLY - Fuel selector	2	
-72	65003-53		BUSHING - Selector lever	2	
-73	82732-72		BUSHING	2	
-74	65003-36		BUSHING	2	
-75	95061-94		BUSHING	2	
-76	484 349		REDUCER - (AN919-1D)	2	
-77	484 353	W	REDUCER - (AN919-6D)	4	
-78	484 359	W	REDUCER - (AN919-12D)	4	
-79	451 857	W	ADAPTER - (AN840-4D)	2	34-7570002 to 34-7670113 incl
-80	492 253		VALVE - Drain (1H19-5)	2	
-81	492 022	W	VALVE - (CCA-1550) Drain	2	
-82	458 882	W	ELBOW - (AN821-6D)	4	
-83	458 894	W	ELBOW - (AN822-4D)	2	
-84	458 891	W	ELBOW - (AN823-4D)	2	
-85	458 915	W	ELBOW - (AN822-4-4D)	2	34-7570002 to 34-7670113 incl
-86	458 938	W	ELBOW - (AN837-4)	2	
-87	458 864		ELBOW - (AN837-6)	4	
-88	458 904	W	ELBOW - (AN914-1D)	2	34-7570002 to 34-7670113 incl
-89	458 900	W	ELBOW - (AN833-4D)	2	34-7570002 to 34-7670113 incl
-90	458 934	W	ELBOW - (AN833-4)	2	

When ordering, always specify Part Number, Description and Serial Number of Aircraft

PIPER PARTS CATALOG

Figure and Index Number	Part Number	Code	NOMENCLATURE	No. Req.	SERIAL NUMBERS AFFECTED
61-91	491 052	W	UNION - (AN815-6D)	2	
-92	491 060	W	UNION - (AN832-4D)	2	
-93	491 055	W	UNION - (AN815-4)	4	
-94	491 050	W	UNION - (AN815-4D)	2	34-7570002 to 34-7670113 incl.
-95	488 319	W	TEE - (AN824-6D)	2	
-96	588 443		TEE - (AN825-4)	2	
-97	488 314	W	TEE - (AN826-6D)	3	
-98	488 320	W	TEE - (AN824-4D)	2	
-99	554 861	W	CLAMP - (SAE TY F-4)	8	34-7570002 to 34-7670113 incl.
-100	454 983	W	CLAMP - (SAE TY E-8)	2	
-100	454 983	W	CLAMP - (SAE TY E-8)	4	34-7570002 to 34-7670113 incl.
-101	554 797	W	CLAMP - (SAE TY F-12)	8	
-102	554 984		CLAMP - (SAE TY F-36)	8	
-103	453 680		BUSHING - (AN912-1C)	2	
-104	453 616	W	BUSHING - (AN912-1D)	2	34-7570002 to 34-7670113 incl
-105	486 899	W	SLEEVE - (MS20819-6D)	4	
-106	488 327	W	CLEVIS - (AN665-21R)	2	
-107	462 060	W	"O" RING - (MS29512-6)	4	
-108	462 061	W	"O" RING - (MS29512-8)	4	
-109	477 614	W	NUT - (AN818-6D)	4	
-110	477 618	W	NUT - (AN924-4D)	4	
-110	477 618	W	NUT - (AN924-4D)	2	34-7570002 to 34-7670113 incl
-111	477 629	W	NUT - (AN924-4)	4	
-112	477 631	W	NUT - (AN924-6)	6	
-113	404 224	W	NUT - (AN315-3R)	6	
-114	476 662	W	NIPPLE - (AN816-6D)	5	
-115	424 175	W	PIN - (MS20392-2C13)	2	
	407 584	W	WASHER - (AN960-10L)	2	
	424 051	W	COTTER PIN - (MS24665-132)	2	
-116	424 174	W	PIN - (MS20392-2C11)	2	
	407 584	W	WASHER - (AN960-10L)	2	
	424 051	W	COTTER PIN - (MS24665-132)	2	
-117	424 164	W	PIN - (MS20392-1C55)	1	
	407 561	W	WASHER - (AN960-4)	3	
	95061-93		BUSHING	1	
	424 051	W	COTTER PIN - (MS24665-132)	1	
-118	400 060	W	BOLT - (AN3-15)	1	
	494 226		WASHER - Nylon (PS10011-10)	2	
	408 813	W	WASHER - Shakeproof (3502-10-79-0511)	1	
	407 584	W	WASHER - (AN960-10L)	1	
	404 100	W	NUT - (AN310-3)	1	
	424 051	W	COTTER PIN - (MS24665-132)	1	
-119	37355-00	D	SUPPORT ASSEMBLY - Fuel line	1	
-120	95501-02	B	TUBE ASSEMBLY - Fuel tank interconnect	2	34-7570001, 34-7670114 and up
-121	95153-167	B	TUBE ASSEMBLY - Fuel tank interconnect	2	34-7570001, 34-7670114 and up
-122	63913-140	B	HOSE - Fuel tank interconnect	4	34-7570001, 34-7670114 and up
-123	63913-141		HOSE - Fuel vent	2	34-7570001, 34-7670114 and up
-124	63913-142		HOSE - Fuel vent	2	34-7570001, 34-7670114 and up
-125	95153-165		LINE - Fuel vent, left	1	34-7570001, 34-7670114 and up
	95153-164		LINE - Fuel vent, right	1	34-7570001, 34-7670114 and up
-126	95153-166		LINE - Vapor return	2	34-7570001, 34-7670114 and up
-127	454 987		CLAMP - (SAE TY E-12)	8	34-7570001, 34-7670114 and up

When ordering, always specify Part Number, Description and Serial Number of Aircraft

PIPER PARTS CATALOG

Figure and Index Number	Part Number	Code	NOMENCLATURE	No. Req.	SERIAL NUMBERS AFFECTED
61-128 -129 -130 -131	476 648 554 622 451 859 37794-02	W	NIPPLE - (AN816-4D) CLAMP - (AN735D8) ADAPTER - (AN840-8D) VALVE ASSEMBLY - Check	2 2 6 2	34-7570001, 34-7670114 and up 34-7570001, 34-7670114 and up 34-7570001, 34-7670114 and up 34-7570001, 34-7670114 and up

When ordering, always specify Part Number, Description and Serial Number of Aircraft

2B24

INTENTIONALLY LEFT BLANK

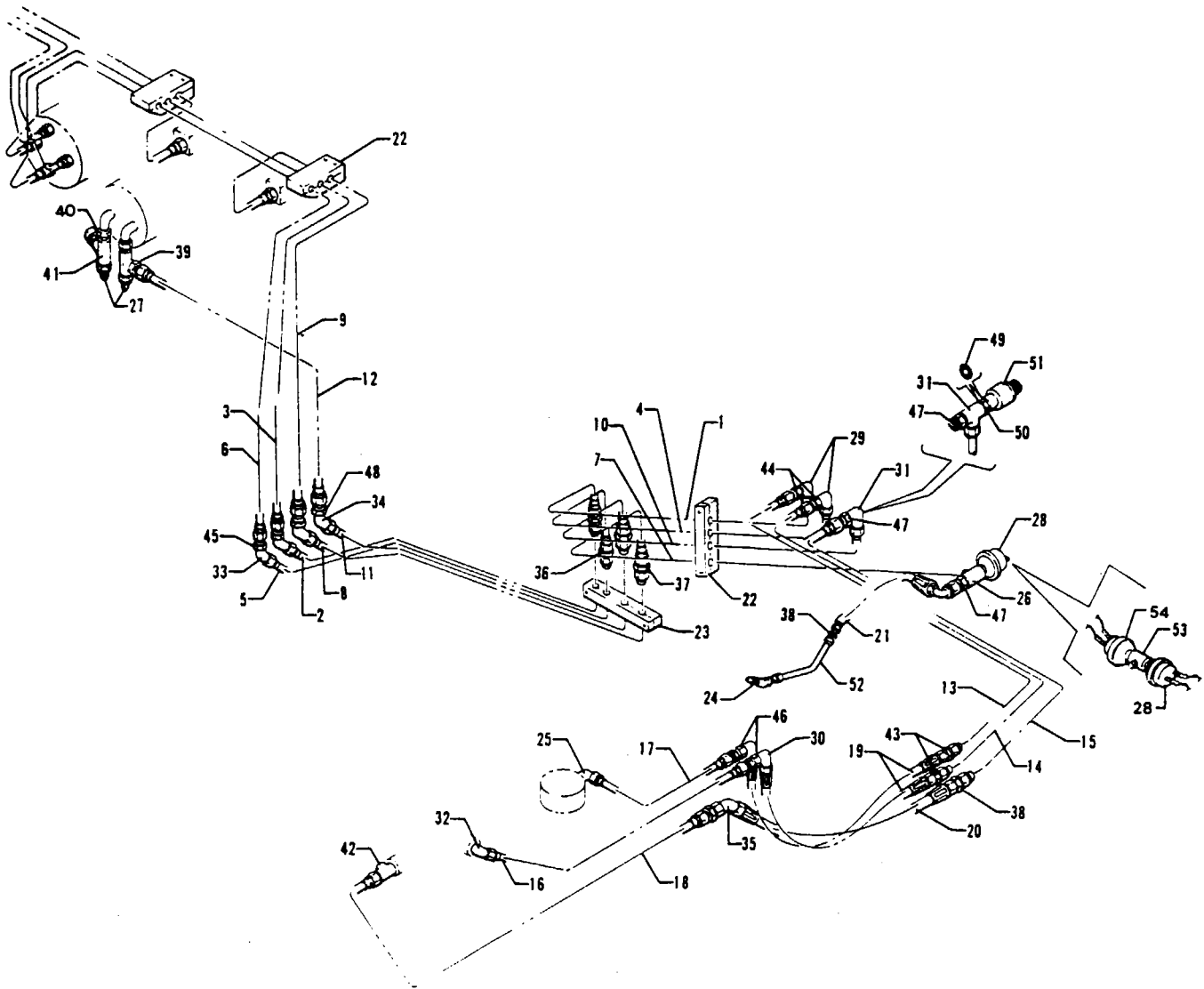


Figure 62 Engine Instrument Lines Installation

PIPER PARTS CATALOG

CODE EXPLANATIONS FOR FIGURE 62

- A - Order part for serial numbers 34-7570309 and up if Auxiliary Fuel System Modification Kit 760 926 has been installed per Service Letter 754
- B - Used on aircraft with serial numbers 34-7570308 inclusive if Auxiliary Fuel System Modification Kit 760 926 has been installed per Service Letter 754
- C - Used if engine hour meter is installed
- D - Used if Magneto Pressurization Kit 764 921v has not been installed
- E - Used if Magneto Pressurization Kit 764 921v has been installed
- W - These parts must be ordered from Service Spares Department, Piper Aircraft, Lock Haven, Penna

PIPER PARTS CATALOG

Figure and Index Number	Part Number	Code	NOMENCLATURE	No Req.	SERIAL NUMBERS AFFECTED
62-	37048		DRAWING - Engine Instrument Lines Installation		
-1	37343-14		TUBE ASSEMBLY - Fuel flow pressure, nacelle, left	1	
	37343-15		TUBE ASSEMBLY - Fuel flow pressure, nacelle, right	1	
-2	37343-12		TUBE ASSEMBLY - Fuel flow pressure, wing, left	1	
	37343-13		TUBE ASSEMBLY - Fuel flow pressure, wing, right	1	
-3	95153-84		TUBE ASSEMBLY - Fuel flow pressure, panel, left	1	
	95153-82		TUBE ASSEMBLY - Fuel flow pressure, panel, right	1	
-4	37343-18		TUBE ASSEMBLY - Fuel flow vent, nacelle, left	1	
	37343-19		TUBE ASSEMBLY - Fuel flow vent, nacelle, right	1	
-5	37343-16		TUBE ASSEMBLY - Fuel flow vent, wing, left	1	
	37343-17		TUBE ASSEMBLY - Fuel flow vent, wing, right	1	
-6	95153-85		TUBE ASSEMBLY - Fuel flow vent, panel, left	1	
	95153-83		TUBE ASSEMBLY - Fuel flow vent, panel, right	1	
-7	37343-10		TUBE ASSEMBLY - Oil pressure, nacelle, left	1	
	37343-11		TUBE ASSEMBLY - Oil pressure, nacelle, right	1	
-8	37343-08		TUBE ASSEMBLY - Oil pressure, wing, left	1	
	37343-09		TUBE ASSEMBLY - Oil pressure, wing, right	1	
-9	37343-27		TUBE ASSEMBLY - Oil pressure, panel, left	1	
	37343-28		TUBE ASSEMBLY - Oil pressure, panel, right	1	
-10	37343-06		TUBE ASSEMBLY - Manifold pressure, nacelle, left	1	
	37343-07		TUBE ASSEMBLY - Manifold pressure, nacelle, right	1	
-11	37343-04		TUBE ASSEMBLY - Manifold pressure, wing, left	1	
	37343-05		TUBE ASSEMBLY - Manifold pressure, wing, right	1	
-12	37343-02		TUBE ASSEMBLY - Manifold pressure, panel, left	1	
	37343-03		TUBE ASSEMBLY - Manifold pressure, panel, right	1	
-13	37343-20		TUBE ASSEMBLY - Fuel flow pressure, engine	2	
-14	37343-21		TUBE ASSEMBLY - Fuel flow vent, engine	2	
-15	37343-22		TUBE ASSEMBLY - Manifold pressure, engine	2	
-16	37343-33	D	TUBE ASSEMBLY - Fuel flow vent, engine	2	
	37343-39	E	TUBE ASSEMBLY - Fuel flow vent, engine	2	
-17	37343-32		TUBE ASSEMBLY - Fuel flow pressure, engine	2	
-18	37343-34		TUBE ASSEMBLY - Manifold pressure, engine	2	
-19	63901-25		HOSE ASSEMBLY - Fuel flow pressure and vent	4	34-7570001 to 34-7870492 incl
	63901-81		HOSE ASSEMBLY - Fuel flow pressure and vent	4	34-7970001 and up
-20	63901-36		HOSE ASSEMBLY - Manifold pressure	2	34-7570001 to 34-7870492 incl.
	63901-41		HOSE ASSEMBLY - Manifold pressure	2	34-7970001 and up
-21	97499-04		HOSE ASSEMBLY - Oil pressure	2	
-22	37096-00		SUPPORT ASSEMBLY - Tubes	4	
-23	37344-03		SUPPORT - Half	12	
-24	68778-00		ELBOW - Restricted	2	
-25	37390-02		ELBOW - Restricted	2	
-26	79038-00		FITTING - Bulkhead	2	
-27	492 241		VALVE - (PS50036-2-2)	2	
-28	587 956		SWITCH - (M4009-15)	2	
-29	458 933	W	ELBOW - (AN833-2)	4	
-30	458 847	W	ELBOW - (AN833-3)	4	
-31	458 934	A,W	ELBOW - (AN833-4)	2	34-7570001 to 34-7570308 incl
	588 479		TEE - (AN784-4)	2	34-7570309 and up
-32	458 887	D,W	ELBOW - (AN823-3)	2	
-33	458 947	W	ELBOW - (AN837-2D)	4	
-34	458 910	W	ELBOW - (AN837-4D)	4	
-35	458 938	W	ELBOW - (AN837-4)	2	34-7570001 to 34-7870492 incl
	458 934	W	ELBOW - (AN833-4)	2	34-7970001 and up
-36	491 048	W	UNION - (AN815-2D)	4	
-37	491 050	W	UNION - (AN815-4D)	4	
-38	491 055	W	UNION - (AN815-4)	4	

When ordering, always specify Part Number, Description and Serial Number of Aircraft

PIPER PARTS CATALOG

Figure and Index Number	Part Number	Code	NOMENCLATURE	No. Req.	SERIAL NUMBERS AFFECTED
62-39	476 648	W	NIPPLE - (AN816-4D)	2	
-40	476 643	W	NIPPLE - (AN911-1D)	2	
-41	488 474	W	TEE - (AN917-1D)	2	
-42	588 443		TEE - (MS20825-4)	2	
-43	484 162		REDUCER - (AN919-0)	4	
-44	477 627	W	NUT - (AN924-2)	4	
-45	477 619	W	NUT - (AN924-2D)	4	
-46	477 628	W	NUT - (AN924-3)	4	
-47	477 629	W	NUT - (AN924-4)	6	
-48	477 618	W	NUT - (AN924-4D)	4	
-49	462 058	W,B	RING - "O" (MS29512-04)	4	34-7570309 and up
-50	491 050	W,B	NUT - (AN815-4D)	2	34-7570309 and up
-51	588 008	B	PRESSURE SWITCH - (214C40-1-49)	2	34-7570309 and up
-52	95153-181		TUBE - Oil pressure	2	
-53	588 469	C	TEE - (1/8 MMS -S) (right engine only)	1	34-7670001 and up
-54	587 990	C	SWITCH - Hourmeter (M-4006-4) (right engine only)	1	

When ordering, always specify Part Number, Description and Serial Number of Aircraft

PIPER PARTS CATALOG

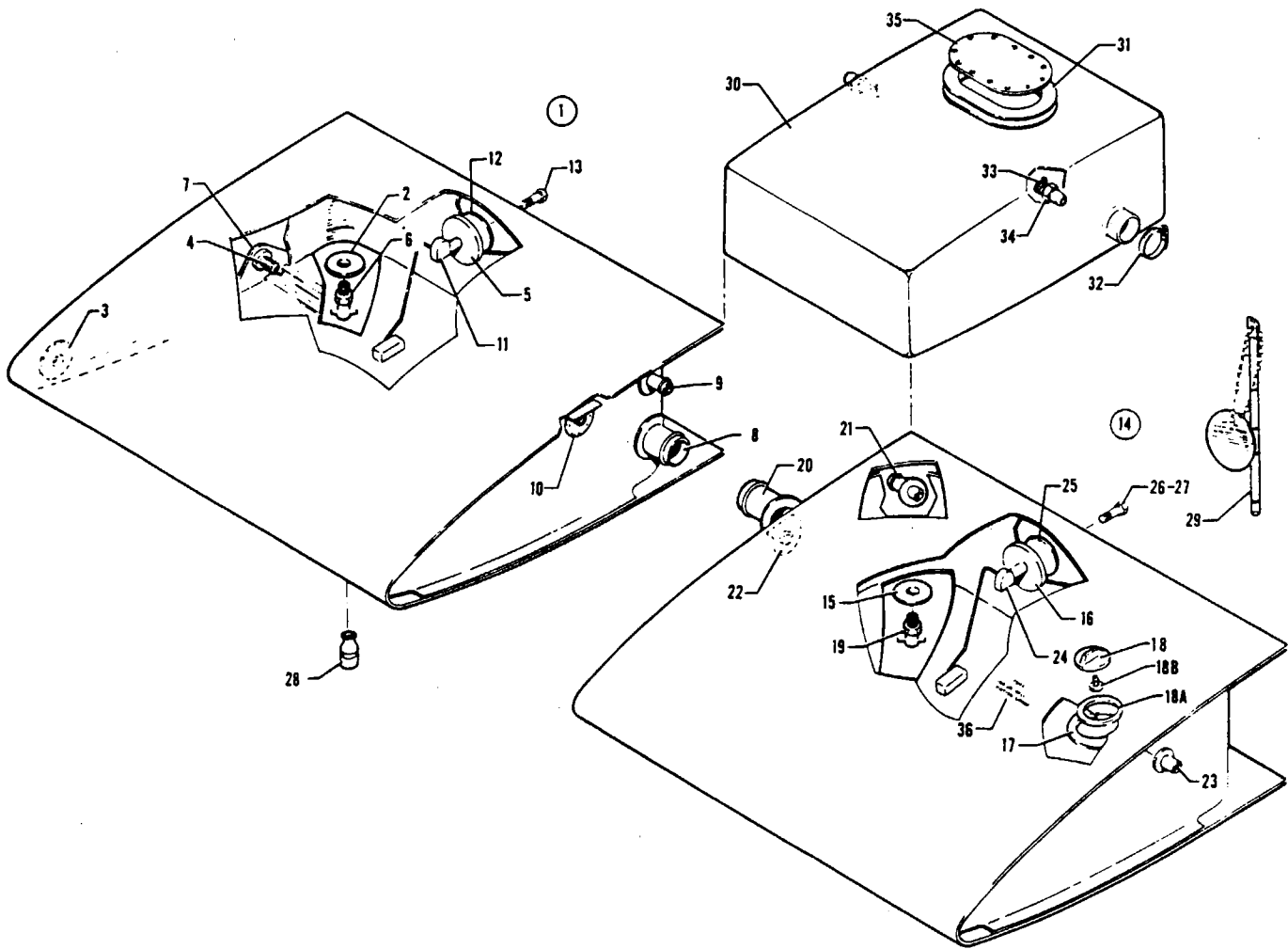


Figure 63 Fuel Tank Assemblies

REVISED MARCH 1980

2C5

PA-34-200T

PIPER PARTS CATALOG

CODE EXPLANATIONS FOR FIGURE 63

W - These parts must be ordered from Service Spares Department, Piper Aircraft, Lock Haven, Penna

PIPER PARTS CATALOG

Figure and Index Number	Part Number	Code	NOMENCLATURE	No. Req.	SERIAL NUMBERS AFFECTED
63-	37093		DRAWING - Wing Assembly (Complete)		
-1	95071-00		TANK ASSEMBLY - Fuel, inboard, left	1	34-7570002 to 34-7670113 incl.
	95071-06		TANK ASSEMBLY - Fuel, inboard, left	1	34-7570001, 34-7670114 and up
	95071-01		TANK ASSEMBLY - Fuel, inboard, right	1	34-7570002 to 34-7670113 incl.
	95071-07		TANK ASSEMBLY - Fuel, inboard, right	1	34-7570001, 34-7670114 and up
-2	62033-00		* PLATE - Drain	1	
-3	62033-00		* PLATE - Vent	1	34-7570001, 34-7670114 and up
-4	72091-00		* STRAINER - Fuel tank finger	1	
-5	62044-00		* PLATE - Fuel tank	1	
-6	492 022	W	* DRAIN - Fuel (CCA-1550)	1	
-7	96871-00		* OUTLET ASSEMBLY - Fuel tank, left	1	
	96871-01		* OUTLET ASSEMBLY - Fuel tank, right	1	
-8	95067-00		* FITTING ASSEMBLY - Tank interconnect	1	34-7570002 to 34-7670113 incl.
	37745-02		* FITTING ASSEMBLY - Tank interconnect	1	34-7570001, 34-7670114 and up
-9	96288-00		* TUBE ASSEMBLY - Fuel tank vent	1	34-7570002 to 34-7670113 incl.
-10	37765-02		* TUBE ASSEMBLY - Fuel tank vent	1	34-7570001, 34-7670114 and up
-11	550 503		* SENDER - Fuel (PS10013-5)	1	
-12	755 049		* * GASKET - Fuel sender (15-716)	1	
-13	401 266	W	* BOLT - (AN3-5A)	5	
	407 043	W	* WASHER - (MS35338-43)	5	
	407 564	W	* WASHER - (AN960-10)	5	
-14	95070-00		TANK ASSEMBLY - Fuel, outboard, left	1	34-7570002 to 34-7670113 incl.
	95070-06		TANK ASSEMBLY - Fuel, outboard, left	1	34-7570001, 34-7670114 and up
	95070-01		TANK ASSEMBLY - Fuel, outboard, right	1	34-7570002 to 34-7670113 incl.
	95070-07		TANK ASSEMBLY - Fuel, outboard, right	1	34-7570001, 34-7670114 and up
-15	62033-00		* PLATE - Drain	1	
-16	62044-00		* PLATE - Fuel tank	1	
-17	69785-00		* NECK ASSEMBLY - Filler	1	
-18	66817-00		* CAP ASSEMBLY - Fuel tank	1	
-18a	66815-00		* * GASKET - Fuel cap	1	
-18b	492 153		* * VALVE - Fuel cap vent (VA3123)	1	
-19	492 022	W	* DRAIN - Fuel (CCA-1550)	1	
-20	95067-00		* FITTING ASSEMBLY - Tank interconnect	1	34-7570002 to 34-7670113 incl.
	37745-02		* FITTING ASSEMBLY - Tank interconnect	1	34-7570001, 34-7670114 and up
-21	96288-00		* TUBE ASSEMBLY - Fuel tank vent	1	34-7570002 to 34-7670113 incl.
-22	37765-02		* TUBE ASSEMBLY - Fuel tank vent	1	34-7570001, 34-7670114 and up
-23	95068-00		* FITTING - Tank vent	1	34-7570002 to 34-7670113 incl.
	37765-02		* FITTING - Tank vent	1	34-7570001, 34-7670114 and up
-24	550 504		* SENDER - Fuel (PS10013-6)	1	
-25	755 049		* * GASKET - Fuel sender (15-716)	1	
-26	401 266	W	* BOLT - (AN3-5A)	5	
	407 043	W	* WASHER - (MS35338-43)	5	
	407 564	W	* WASHER - (AN960-10)	5	
-27	494 191		* WASHER - Insulating (PS10063-4)	5	
-28	62924-00		SAMPLER - Fuel	1	
-29	96967-00		GAUGE ASSEMBLY - Fuel tank (50 gallons)	1	
	37780-02		GAUGE ASSEMBLY - Fuel tank (61.5 gallons)	1	34-7570001, 34-7670114 and up
-30	454 373		TANK ASSEMBLY - Fuel, center (2F1-6-41832-1)	2	34-7570001, 34-7670114 and up
-31	755 102		* GASKET - (2F1-2-14511)	2	34-7570001, 34-7670114 and up
-32	454 818	W	CLAMP - (SAE TY F-32)	4	34-7570001, 34-7670114 to 34-7970138 incl.
	654 047		CLAMP - (32HL)	4	34-7970139 and up

When ordering, always specify Part Number, Description and Serial Number of Aircraft

PIPER PARTS CATALOG

Figure and Index Number	Part Number	Code	NOMENCLATURE	No. Req.	SERIAL NUMBERS AFFECTED
63-33	554 664		CLAMP - (H-SS-8)	4	34-7570001, 34-7670114 to 34-7970138 incl.
	654 048		CLAMP - (8 HL)	4	34-7970139 and up
-34	451 859		ADAPTER - (AN840-8D)	4	34-7570001, 34-7670114 and up
-35	37788-02		COVER - Fuel tank	2	34-7570001, 34-7670114 and up
-36	35669-163		PLACARD - Fuel	2	

When ordering, always specify Part Number, Description and Serial Number of Aircraft

PIPER PARTS CATALOG

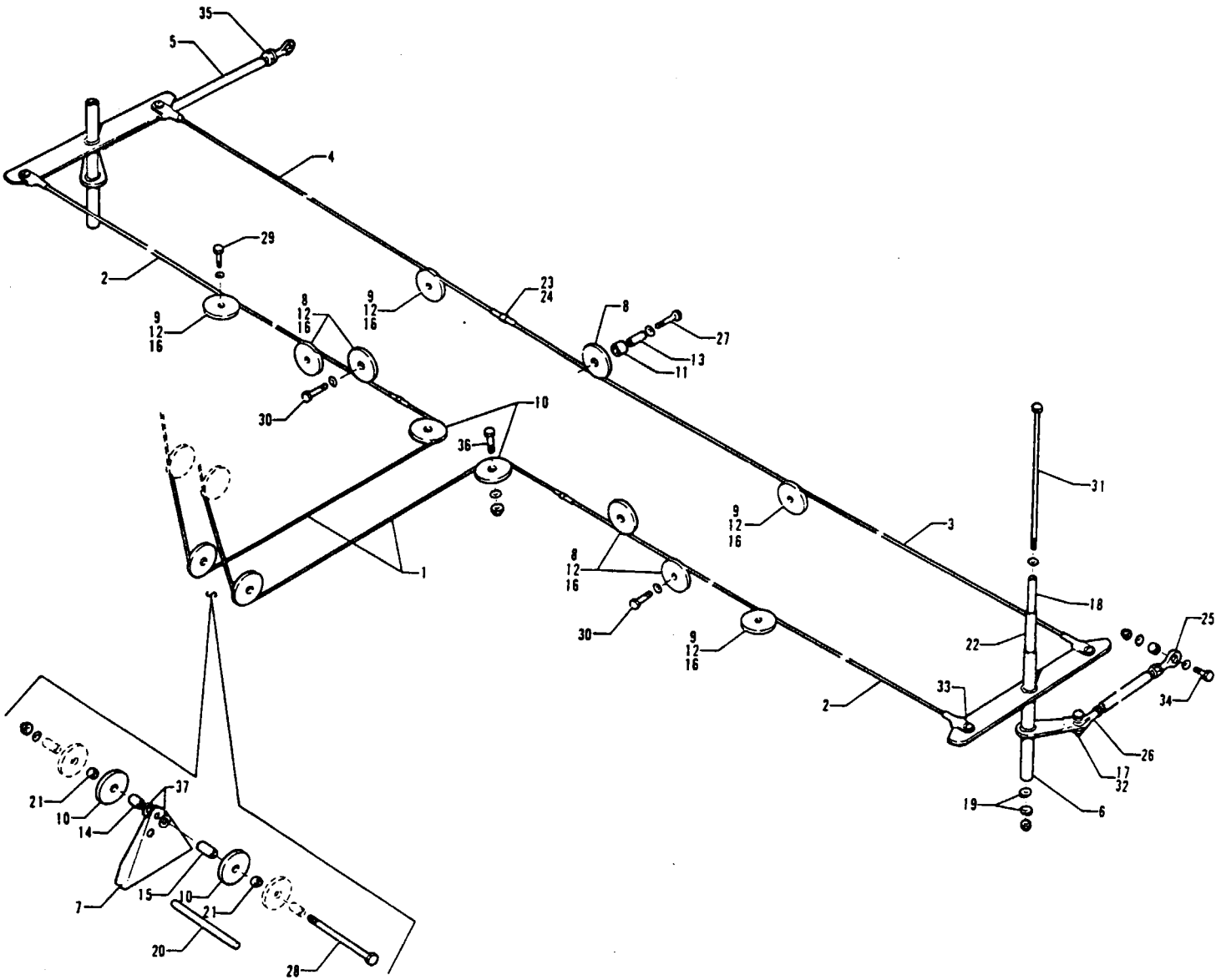


Figure 64. Aileron Control Installation

REVISED: SEPTEMBER 1978

2C9

PA-34-200T

PIPER PARTS CATALOG

CODE EXPLANATIONS FOR FIGURE 64

W - These parts must be ordered from Service Spares Department, Piper Aircraft, Lock Haven, Penna.

PIPER PARTS CATALOG

Figure and Index Number	Part Number	Code	NOMENCLATURE	No. Req.	SERIAL NUMBERS AFFECTED
64-	37300		DRAWING - Control System Installation		
-1	62701-36		CABLE ASSEMBLY - Aileron, forward	2	
-2	62701-127		CABLE ASSEMBLY - Aileron, wing	2	
-3	62701-125		CABLE ASSEMBLY - Aileron, balance, left	1	
-4	62701-126		CABLE ASSEMBLY - Aileron, balance, right	1	
-5	37293-00		ROD - Aileron	2	
-6	37290-00		BELLCRANK ASSEMBLY - Aileron, left	1	
	37290-01		BELLCRANK ASSEMBLY - Aileron, right	1	
-7	96185-00		BRACKET - Shaft support	1	
-8	62711-02		PULLEY	5	
-9	62711-05		PULLEY	4	
-10	41001-10		PULLEY	4	
-11	62713-03		BEARING - Pulley, outer	1	
-12	62713-04		BEARING - Pulley, outer	8	
-13	62712-03		BEARING - Pulley, inner	1	
-14	95061-59		BUSHING	1	
-15	95061-71		BUSHING	1	
-16	65003-47		BUSHING - Inner	8	
-17	63900-119		BUSHING	2	
-18	95061-54		BUSHING	2	
-19	95675-00		WASHER - Aileron bellcrank	4	
-20	62710-02		PIN - Cable guard	1	
-21	62743-02		SPACER - Bushing	2	
-22	63882-41		SLEEVE	2	
-23	489 910	W	TURNBUCKLE - (MS21251-B5S)	3	
-24	554 979	W	CLIP - (MS21256-1)	6	
-25	452 335	W	BEARING - Rod end (PS10020-2-1RX)	2	
-26	554 687		CLEVIS - (MS35812-2)	2	
-27	400 008	W	BOLT - (AN4-13A)	1	
	407 566	W	WASHER - (AN960-516)	2	
	407 565	W	WASHER - (AN960-416)	1	
	404 888	W	NUT - (MS20365-428C)	1	
-28	401 385	W	BOLT - (AN5-64A)	1	
	407 566	W	WASHER - (AN960-516)	3	
	404 889	W	NUT - (MS20365-524C)	1	
-29	401 316	W	BOLT - (AN4-H15A)	2	
	407 565	W	WASHER - (AN960-416)	2	
-30	401 315	W	BOLT - (AN4-15A)	6	
	407 565	W	WASHER - (AN960-416)	6	
-31	400 496		BOLT - (AN3-73A)	2	
	407 564	W	WASHER - (AN960-10)	2	
	404 887	W	NUT - (MS20365-1032C)	2	
-32	401 269	W	BOLT - (AN3-10A)	2	
	407 564	W	WASHER - (AN960-10)	2	
	404 100	W	NUT - (AN310-3)	2	
	424 051	W	COTTER PIN - (MS24665-132)	2	
-33	400 675	W	BOLT - (AN23-13)	4	
	63900-31		BUSHING	4	
	407 564	W	WASHER - (AN960-10)	8	
	404 392	W	NUT - (AN320-3)	4	
	424 051	W	COTTER PIN - (MS24665-132)	4	

When ordering, always specify Part Number, Description and Serial Number of Aircraft

PIPER PARTS CATALOG

Figure and Index Number	Part Number	Code	NOMENCLATURE	No. Req.	SERIAL NUMBERS AFFECTED	
64-34	400 452	W	BOLT - (AN3-11A)	2		
	407 584	W	WASHER - (AN960-10L)	4		
	404 887	W	NUT - (MS20365-1032C)	2		
-35	404 322	W	NUT - (AN316-4R)	4		
-36	401 188	W	BOLT - (AN5-10A)	2		
	407 586	W	WASHER - (AN960-516L)	6		
	404 889	W	NUT - (MS20365-524C)	2		
-37	407 566	W	WASHER - (AN960-516)	2		34-7870088 and up

When ordering, always specify Part Number, Description and Serial Number of Aircraft

PIPER PARTS CATALOG

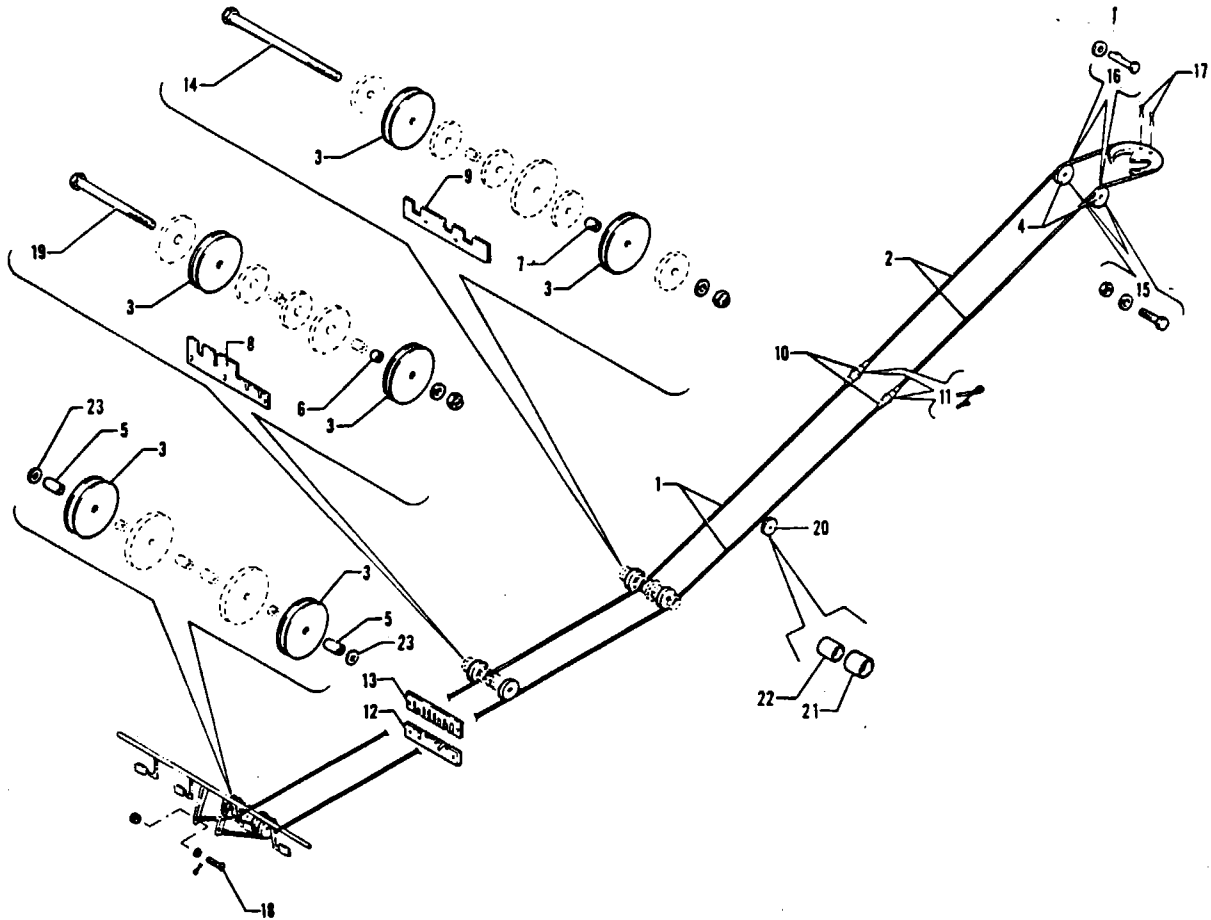


Figure 65. Rudder Control Installation

REVISED: SEPTEMBER 1978

2C13

PA-34-200T

PIPER PARTS CATALOG

CODE EXPLANATIONS FOR FIGURE 65

W - These parts must be ordered from Service Spares Department, Piper Aircraft, Lock Haven, Penna.

PIPER PARTS CATALOG

Figure and Index Number	Part Number	Code	NOMENCLATURE	No. Req.	SERIAL NUMBERS AFFECTED
65-	37300		DRAWING - Control System Installation		
-1	62701-81		CABLE ASSEMBLY - Rudder control, forward	2	
-2	62701-72		CABLE ASSEMBLY - Rudder control, aft	1	
-3	41001-10		PULLEY - Rudder control	6	
-4	41001-03	W	PULLEY - Rudder control	2	
-5	62743-04		SPACER - Rudder control	2	34-7570001 to 34-7870087 incl
	86700-09		SPACER - Rudder control	2	34-7870088 and up
-6	62743-02		SPACER - Rudder control	1	
-7	95061-44		BUSHING - Rudder control	1	
-8	95942-02		FAIRLEAD - Pulley guard	1	
-9	96265-00		FAIRLEAD - Pulley guard	1	
-10	489 910	W	TURNBUCKLE - Rudder cable (MS21251B5S)	2	
-11	554 979	W	CLIP - Rudder cable (MS21256-1)	4	
-12	95561-00		FAIRLEAD - Spar box	1	
-13	95562-00		FAIRLEAD - Spar box	1	
-14	401 387		BOLT - (AN5-70A)	1	
	407 566	W	WASHER - (AN960-516)	1	
	404 889	W	NUT - (MS20365-524C)	1	
-15	400 004	W	BOLT - (AN4-7A)	2	
	407 585	W	WASHER - (AN960-416L)	2	
	404 888	W	NUT - (MS20365-428C)	2	
-16	424 182	W	PIN - (MS20392-2C27)	2	
	407 584	W	WASHER - (AN960-10L)	2	
	424 032	W	COTTER PIN - (MS24665-170)	2	
-17	424 059	W	COTTER PIN - (MS24665-283)	2	
-18	400 672	W	BOLT - (AN23-10)	2	
	407 564	W	WASHER - (AN960-10)	2	
	404 392	W	NUT - (AN320-3)	2	
-19	401 374		BOLT - (AN5-52A)	1	
	407 566	W	WASHER - (AN960-516)	1	
	404 889	W	NUT - (MS20365-524C)	1	
-20	78584-00		PULLEY ASSEMBLY - Aileron and rudder interconnect	1	
-21	65003-29		BUSHING - Pulley, outer	1	
-22	80012-04		BUSHING - Pulley, inner	1	
-23	407 566	W	WASHER - (AN960-516)	2	34-7870088 and up

When ordering, always specify Part Number, Description and Serial Number of Aircraft

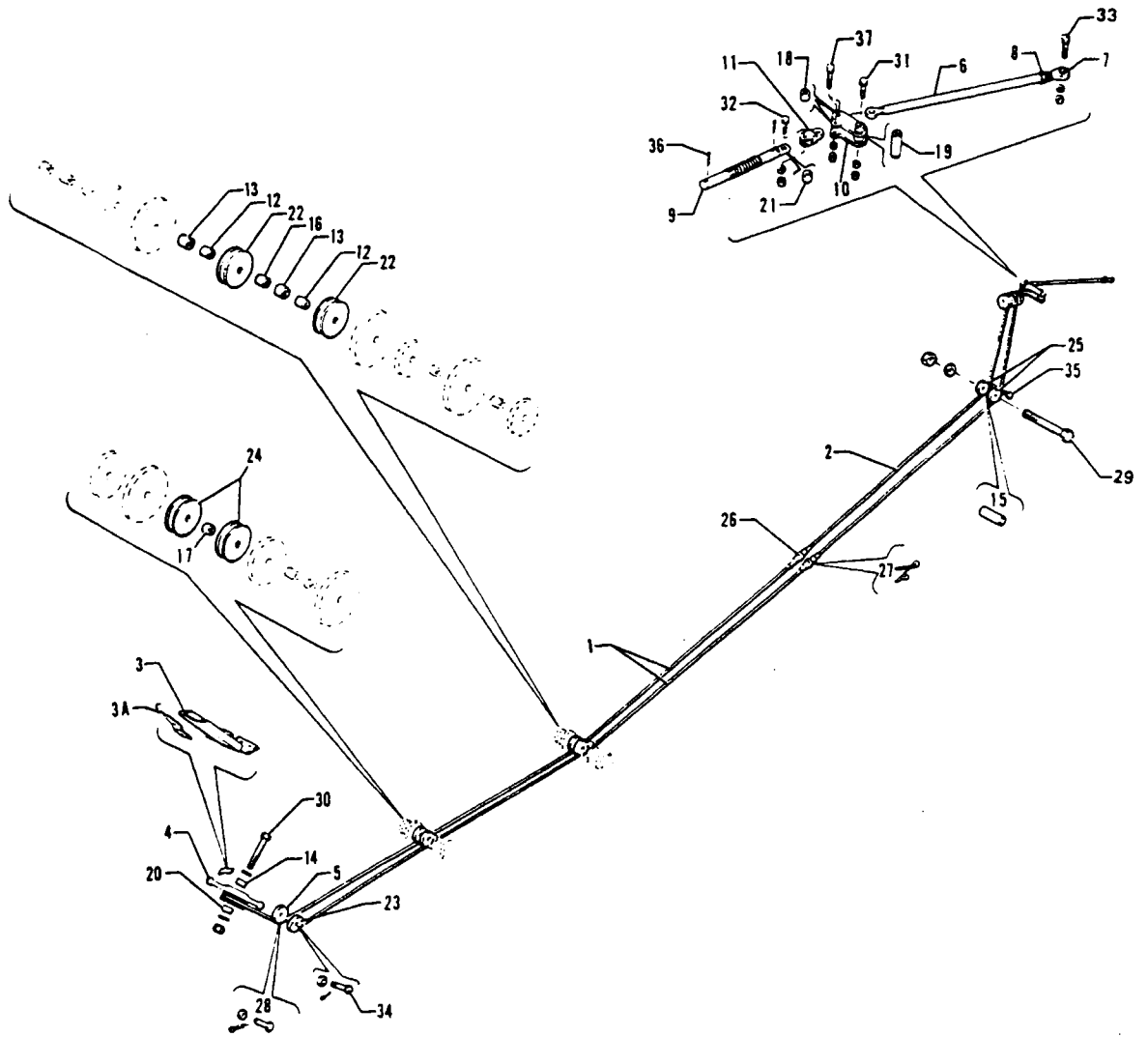


Figure 66 Rudder Trim Installation

PIPER PARTS CATALOG

CODE EXPLANATIONS FOR FIGURE 66

W - These parts must be ordered from Service Spares Department, Piper Aircraft, Lock Haven, Penna.

PIPER PARTS CATALOG

Figure and Index Number	Part Number	Code	NOMENCLATURE	No. Req.	SERIAL NUMBERS AFFECTED
66-	37300		DRAWING - Control System Installation		
-1	62701-69		CABLE ASSEMBLY - Rudder trim control, forward	2	
-2	62701-70		CABLE ASSEMBLY - Rudder trim control, aft	1	
-3	95556-00		BRACKET ASSEMBLY - Rudder trim	1	
-3a	78001-00		* INDICATOR ASSEMBLY - Rudder trim	1	
-4	96008-00		WHEEL ASSEMBLY - Rudder trim	1	
-5	96925-00		PULLEY - Rudder trim	1	
-6	95573-03		ROD ASSEMBLY - Rudder trim	1	
-7	452 334		* BEARING - Rod end (PS10020-1-6RX)	1	
-8	404 321	W	* NUT - (AN316-C4R)	1	
-9	37424-00		SHAFT ASSEMBLY - Trim adjustment	1	
-10	37422-00		ARM ASSEMBLY - Travel control	1	
-11	37423-00		LINK ASSEMBLY - Trim travel	1	
-12	62714-04		BEARING - Pulley, inner	2	
-13	62715-02		BEARING - Pulley, outer	2	
-14	63900-157		BEARING - Rudder trim wheel	2	
-15	95061-40		BUSHING - Spacer	1	
-16	95061-44		BUSHING - Spacer	1	
-17	95061-45		BUSHING - Spacer (30 long)	1	
	63900-121		BUSHING - Spacer (44 long)	1	
-18	95061-114		BUSHING	2	
-19	95061-112		BUSHING	1	
-20	63900-61		BUSHING	1	
-21	95061-113		BUSHING	1	
-22	62711-03		PULLEY - Rudder trim	2	
-23	481 640		PULLEY - Rudder trim (MS24566-1B)	1	
-24	481 651	W	PULLEY - Rudder trim (MS20220-1)	2	
-25	481 626	W	PULLEY - Rudder trim (MS20219-2)	2	
-26	489 873	W	TURNBUCKLE - (MS21251-B2S)	2	
-27	554 979	W	CLIP - (MS21256-1)	4	
-28	424 176	W	PIN - (MS20392-2C15)	1	
	407 584	W	WASHER - (AN960-10L)	1	
	424 051	W	COTTER PIN - (MS24665-132)	1	
-29	400 019	W	BOLT - (AN4-26A)	1	
	407 565	W	WASHER - (AN960-416)	1	
	404 888	W	NUT - (MS20365-428C)	1	
-30	400 451	W	BOLT - (AN3-20A)	1	
	407 564	W	WASHER - (AN960-10)	1	
	407 587	W	WASHER - (AN960-616L)	1	
	407 584	W	WASHER - (AN960-10L)	1	
	404 887	W	NUT - (MS20365-1032C)	1	
-31	400 451	W	BOLT - (AN3-20A)	1	
	407 564	W	WASHER - (AN960-10)	1	
	404 835	W	NUT - (MS20364-1032C)	1	
-32	401 269	W	BOLT - (AN3-10A)	1	
	407 564	W	WASHER - (AN960-10)	3	
	404 887	W	NUT - (MS20365-1032C)	1	
-33	402 258		BOLT - (AN173-7A)	1	
	407 584	W	WASHER - (AN960-10L)	1	
	404 887	W	NUT - (MS20365-1032C)	1	
-34	424 178	W	PIN - (MS20392-2C19)	1	
	407 564	W	WASHER - (AN960-10)	1	
	424 051	W	COTTER PIN - (MS24665-132)	1	
-35	524 183		PIN - (MS20392-2C81)	1	
	407 584	W	WASHER - (AN960-10L)	1	
	424 095	W	COTTER PIN - (MS24665-151)	1	

When ordering, always specify Part Number, Description and Serial Number of Aircraft

PIPER PARTS CATALOG

Figure and Index Number	Part Number	Code	NOMENCLATURE	No. Req.	SERIAL NUMBERS AFFECTED
66-36 -37	424 123		COTTER PIN - (MS24665-368)	2	
	401 269	W	BOLT - (AN3-10A)	2	
	407 564	W	WASHER - (AN960-10)	4	
	404 887	W	NUT - (MS20365-1032C)	2	

When ordering, always specify Part Number, Description and Serial Number of Aircraft

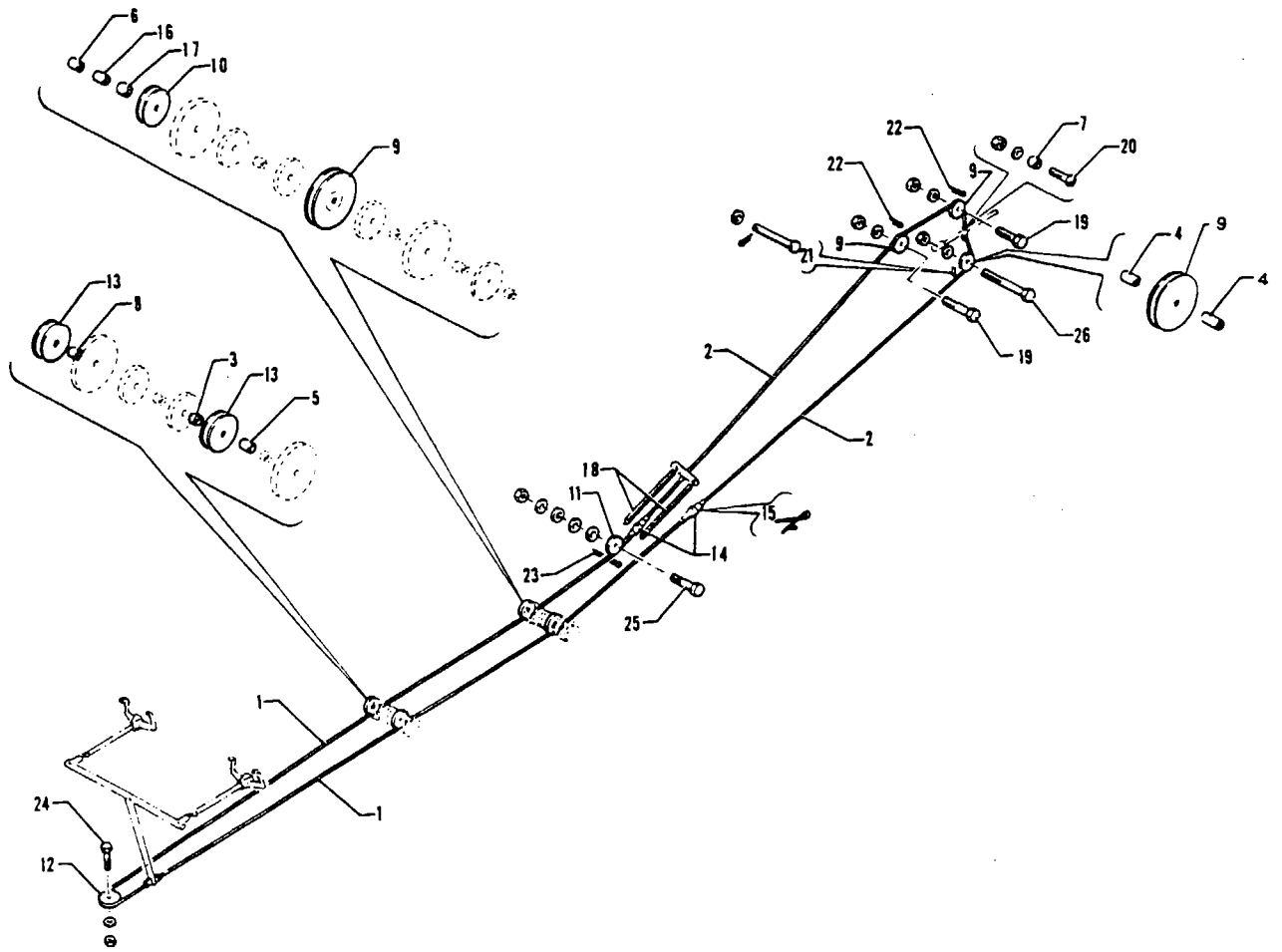


Figure 67 Stabilator Control Installation

PIPER PARTS CATALOG

CODE EXPLANATIONS FOR FIGURE 67

W - These parts must be ordered from Service Spares Department, Piper Aircraft, Lock Haven, Penna.

PIPER PARTS CATALOG

Figure and Index Number	Part Number	Code	NOMENCLATURE	No. Req.	SERIAL NUMBERS AFFECTED
67-	37300		DRAWING - Control System Installation		
-1	62701-78		CABLE ASSEMBLY - Stabilator control, forward, left	1	
	62701-37		CABLE ASSEMBLY - Stabilator control, forward, right	1	
-2	62701-129		CABLE ASSEMBLY - Stabilator control, aft, upper	1	
	62701-80		CABLE ASSEMBLY - Stabilator control, aft, lower	1	
-3	95061-124		BUSHING	1	
-4	95061-39		BUSHING - Spacer	2	
-5	80012-105		BUSHING - Spacer	1	
-6	95061-45		BUSHING - Spacer	1	
-7	63900-31		BUSHING - Spacer	2	
-8	63900-36		BUSHING - Spacer	1	
-9	41001-10		PULLEY - Stabilator control	4	
-10	62711-03		PULLEY - Stabilator control	1	
-11	481 651	W	PULLEY - Stabilator control (MS20220-1)	1	
-12	481 652	W	PULLEY - Stabilator control (MS20220-2)	1	
-13	41001-05	W	PULLEY - Stabilator control	2	
-14	489 910	W	TURNBUCKLE - (MS21251-85S)	2	
-15	554 979	W	CLIP - (MS21256-1)	4	
-16	62714-04		BEARING - Pulley, inner	1	
-17	62715-02		BEARING - Pulley, outer	1	
-18	37523-00		SPRING - Expansion	2	
-19	401 188	W	BOLT - (AN5-10A)	2	
	407 566	W	WASHER - (AN960-516)	2	
	404 889	W	NUT - (MS20365-524C)	2	
-20	400 674	W	BOLT - (AN23-12)	2	
	407 564	W	WASHER - (AN960-10)	2	
	404 392	W	NUT - (AN320-3)	2	
	424 052	W	COTTER PIN - (MS24665-134)	2	
-21	424 231		PIN - (MS20392-3C81)	1	
	407 585	W	WASHER - (AN960-416L)	1	
	424 051	W	COTTER PIN - (MS24665-132)	1	
-22	424 053	W	COTTER PIN - (MS24665-136)	2	
-23	424 061	W	COTTER PIN - (MS24665-287)	1	
-24	401 353	W	BOLT - (AN5-12A)	1	
	407 566	W	WASHER - (AN960-516)	1	
	404 889	W	NUT - (MS20365-524C)	1	
-25	401 354	W	BOLT - (AN5-13A)	1	
	407 566	W	WASHER - (AN960-516)	4	
	404 889	W	NUT - (MS20365-524C)	1	
-26	401 365	W	BOLT - (AN5-26A)	1	
	407 566	W	WASHER - (AN960-516)	1	
	404 889	W	NUT - (MS20365-524C)	1	

When ordering, always specify Part Number, Description and Serial Number of Aircraft

2C23 THRU 2C24
INTENTIONALLY LEFT BLANK

PIPER PARTS CATALOG

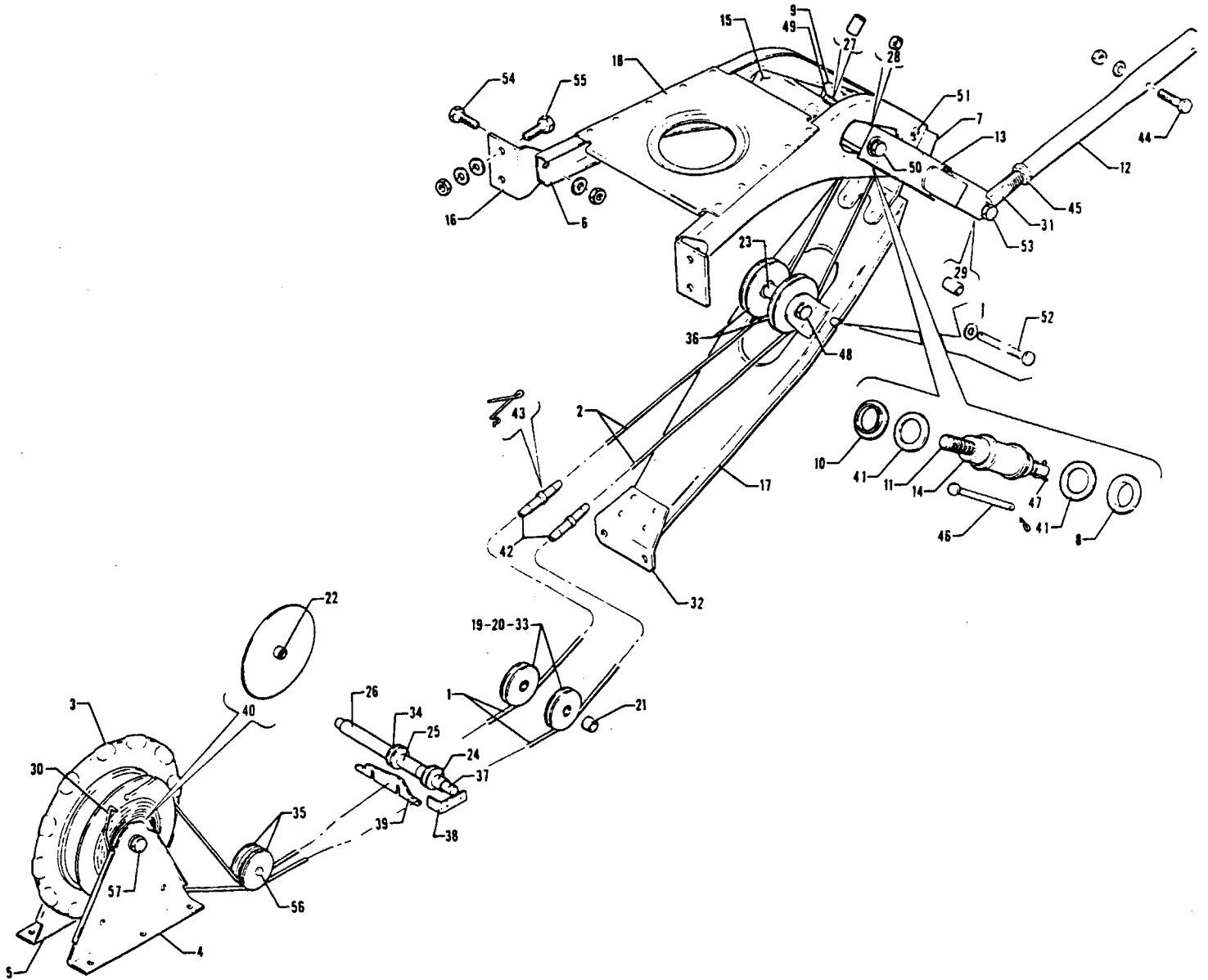


Figure 68 Stabilator Trim Installation

REVISED: SEPTEMBER 1978

2D1

PA-34-200T

PIPER PARTS CATALOG

CODE EXPLANATIONS FOR FIGURE 68

- A - See Figure 80 if Electric Pitch Trim or Figure 81A if AltiMatic III C is installed.
- W - These parts must be ordered from Service Spares Department, Piper Aircraft, Lock Haven, Penna.

PIPER PARTS CATALOG

Figure and Index Number	Part Number	Code	NOMENCLATURE	No. Req.	SERIAL NUMBERS AFFECTED
68-	37300 95990		DRAWING - Control System Installation DRAWING - Stabilator Trim Installation		
-1	62701-77	A	CABLE ASSEMBLY - Stabilator trim, forward	2	
-2	62701-73		CABLE ASSEMBLY - Stabilator trim, aft	2	
-3	68414-03		WHEEL ASSEMBLY - Stabilator trim	1	
-4	68739-00		BRACKET ASSEMBLY - Stabilator trim	1	
-5	68486-00		BRACKET - Stabilator trim	1	
-6	95991-00		BRACKET - Stabilator trim, left	1	
	95991-01		BRACKET - Stabilator trim, right	1	
-7	95999-00		BRACKET ASSEMBLY - Stabilator trim	1	
-8	452 413		* BEARING - Barrel mount (F-838)	1	
-9	96001-00		BRACKET ASSEMBLY - Stabilator trim	1	
-10	452 413		* BEARING - Barrel mount (F-838)	1	
-11	65246-02		SHAFT - Stabilator trim	1	
-12	96574-00		ROD ASSEMBLY - Stabilator trim	1	
-13	96003-00		LINK ASSEMBLY - Stabilator trim	1	
-14	96596-02		BARREL - Stabilator trim	1	
-15	96332-00		YOKE ASSEMBLY - Stabilator trim	1	
-16	95996-00		ANGLE - Stabilator trim, left	1	
	95996-01		ANGLE - Stabilator trim, right	1	
-17	95266-00		RIB ASSEMBLY - Stabilator trim	1	
-18	96269-00		COVER - Stabilator trim mount	1	
-19	62715-02		BEARING - Pulley, outer	2	
-20	62714-04		BEARING - Pulley, inner	2	
-21	95061-45		BUSHING - Spacer	1	
-22	63900-61		BUSHING	1	
-23	86102-33		BUSHING	1	
-24	63900-62		BUSHING	1	
-25	86700-13		BUSHING	1	
-26	63882-67		BUSHING	1	
-27	453 878		BUSHING - (NAS76A3-023)	1	
-28	453 888		BUSHING - (NAS76A3-004)	2	
-29	453 879		BUSHING - (NAS76A3-019)	1	
-30	68488-02		INDICATOR - Stabilator trim	1	
-31	65254-02		EYE BOLT - Stabilator trim	1	
-32	96002-00		CLIP - Stabilator trim	1	
-33	62711-03		PULLEY - Stabilator trim	2	
-34	62711-04		PULLEY - Stabilator trim	2	
-35	481 640		PULLEY - (MS24566-1B)	2	
-36	481 626	W	PULLEY - (MS20219-2)	2	
-37	96482-00		SHAFT - Pulley	1	
-38	99834-00		ANGLE ASSEMBLY - Cable guard	1	
-39	96479-02		GUARD - Cable	1	
-40	62833-37		WASHER	1	
-41	62833-63		WASHER	2	
-42	489 873	W	TURNBUCKLE - (MS21251-B2S)	2	
-43	554 979	W	CLIP - (MS21256-1)	4	
-44	401 269	W	BOLT - (AN3-10A)	2	
	407 694		WASHER - (AN960-D10)	2	
	404 887	W	NUT - (MS20365-1032C)	2	
-45	404 325		NUT - (AN316-7R)	1	
-46	524 185		PIN - (MS20392-2C85)	2	
	424 051	W	COTTER PIN - (MS24665-132)	2	
-47	424 123		COTTER PIN - (MS24665-368)	1	

When ordering, always specify Part Number, Description and Serial Number of Aircraft

PIPER PARTS CATALOG

Figure and Index Number	Part Number	Code	NOMENCLATURE	No. Req.	SERIAL NUMBERS AFFECTED
68-48	400 014	W	BOLT - (AN4-21A)	1	
	407 565	W	WASHER - (AN960-416)	2	
	404 888	W	NUT - (MS20365-428C)	1	
-49	402 889		BOLT - (NAS464P3-14)	1	
	407 564	W	WASHER - (AN960-10)	1	
	407 584	W	WASHER - (AN960-10L)	1	
	407 800	W	WASHER - (AN970-3)	2	
	404 392	W	NUT - (AN320-3)	1	
-50	402 890		BOLT - (NAS464P3A5)	2	
	407 584	W	WASHER - (AN960-10L)	2	
	407 586	W	WASHER - (AN960-516L)	4	
-51	410 039	W	SCREW - (MS24694-S51)	4	
	406 639		NUT PLATE - (NAS698A-3)	4	
-52	424 192	W	PIN - (MS20392-2C93)	1	
	407 584	W	WASHER - (AN960-10L)	1	
	424 051	W	COTTER PIN - (MS24665-132)	1	
-53	402 891		BOLT - (NAS464P3-10)	1	
	407 564	W	WASHER - (AN960-10)	1	
	407 584	W	WASHER - (AN960-10L)	2	
	404 392	W	NUT - (AN320-3)	1	
	424 051	W	PIN - Cotter (MS24665-132)	1	
-54	401 286	W	BOLT - (AN3-5A)	2	
	407 564	W	WASHER - (AN960-10)	2	
	407 584	W	WASHER - (AN960-10L)	2	
	404 887	W	NUT - (MS20365-1032C)	2	
	401 286	W	BOLT - (AN3-5A)	4	
-55	407 564	W	WASHER - (AN960-10)	4	
	404 887	W	NUT - (MS20365-1032C)	4	
	424 180		PIN - (MS20392-2C23)	1	
-56	407 584	W	WASHER - (AN960-10L)	1	
	424 051	W	PIN - Cotter (MS24665-132)	1	
	400 450	W	BOLT - (AN3-17A)	1	
-57	407 584	W	WASHER - (AN960-10L)	1	
	407 564	W	WASHER - (AN960-10)	1	
	404 887	W	NUT - (MS20365-1032C)	1	

When ordering, always specify Part Number, Description and Serial Number of Aircraft

PIPER PARTS CATALOG

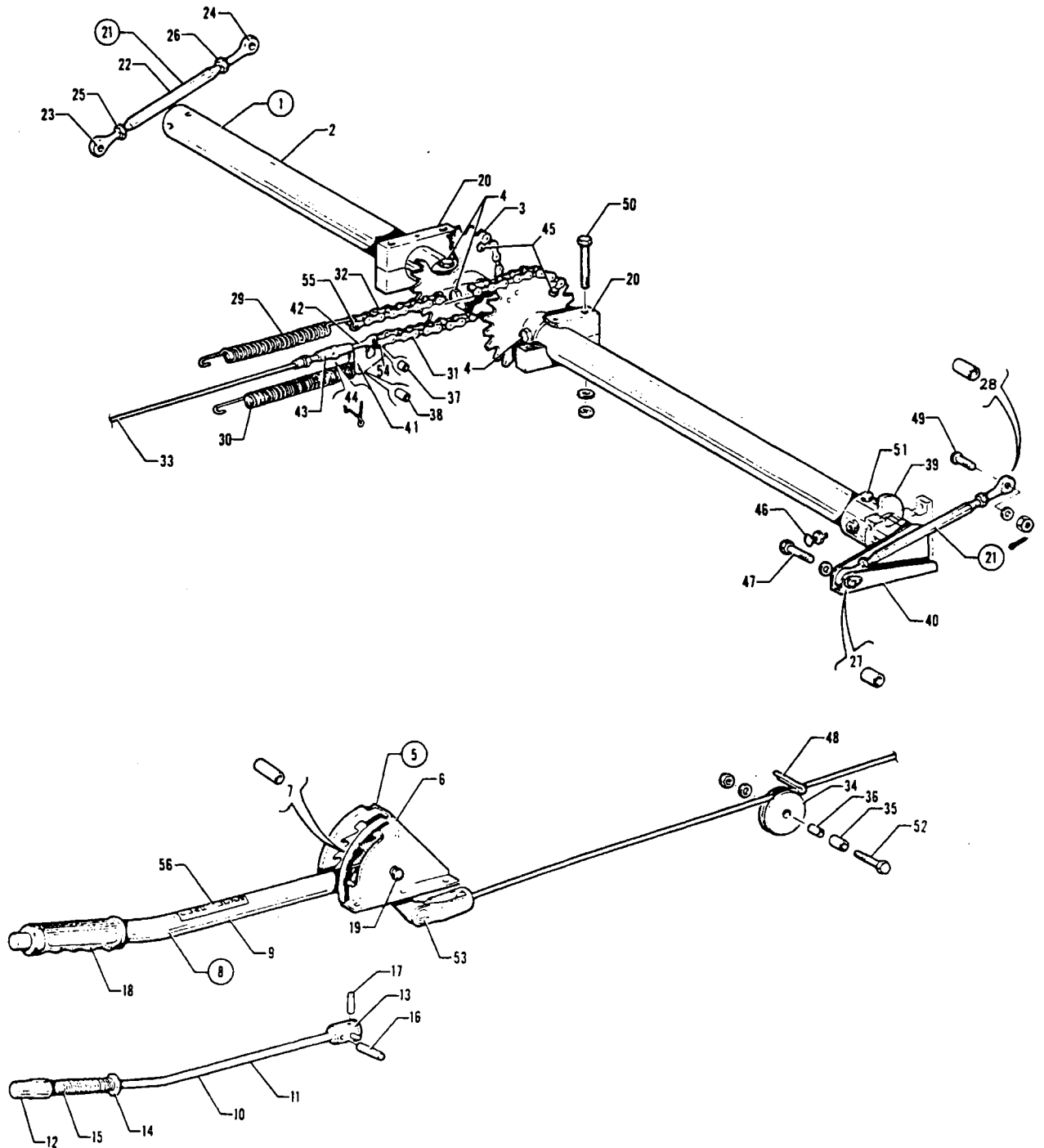


Figure 69. Flap Control Installation

PIPER PARTS CATALOG

CODE EXPLANATIONS FOR FIGURE 69

W - These parts must be ordered from Service Spares Department, Piper Aircraft, Lock Haven, Penna.

PIPER PARTS CATALOG

Figure and Index Number	Part Number	Code	NOMENCLATURE	No Req.	SERIAL NUMBERS AFFECTED
69-	37300		DRAWING - Control System Installation		
-1	68451-02		FLAP TORQUE TUBE ASSEMBLY - Complete	1	
-2	68452-03		* TORQUE TUBE - Flap	1	
-3	62789-00		* SPROCKET ASSEMBLY - Flap torque tube	2	
-4	400 011	W	* BOLT - (AN4-16A)	4	
	407 585	W	* WASHER - (AN960-416)	4	
	404 836	W	* NUT - (MS20365-428C)	4	
-5	62706-03		LEVER ASSEMBLY - Flap control	1	
-6	95504-00		* BRACKET - Flap lever	1	
-7	62740-00		* BUSHING - Flap lever	1	
-8	63782-04		* HANDLE ASSEMBLY - Flap lever	1	
-9	63781-00		* * TUBE ASSEMBLY - Flap lever	1	
-10	63391-03		* * PLUNGER ASSEMBLY - Flap lever	1	
-11	63391-02		* * * TUBE - Plunger	1	
-12	62733-00		* * * PLUG - Plunger, upper	1	
-13	62734-02		* * * PLUG - Plunger, lower	1	
-14	62736-00		* * * WASHER	1	
-15	50111-00	W	* * * SPRING	1	
-16	480 696	W	* * * PIN - Roll (59-022-094-0625)	2	
-17	63782-03		* * ROD - (250 x 1 50)	1	
-18	63779-00		* * GRIP - Flap lever	1	
-19	401 274	W	* BOLT - (AN3-15A)	1	
	407 564	W	* WASHER - (AN960-10)	2	
	404 887	W	* NUT - (MS20365-1032)	1	
-20	62745-00		PILLOW BLOCK ASSEMBLY - Torque shaft support	2	
-21	62764-00		ROD ASSEMBLY - Flap tube	2	
-22	62764-02		* TUBE - Flap	1	
-23	452 335	W	* BEARING - (F34-14)	1	
-24	452 336		* BEARING - (FL34-14)	1	
-25	404 322	W	* NUT - (AN316-4R)	1	
-26	404 320		* NUT - (AN316-4L)	1	
-27	63900-38		BUSHING - Flap rod end	2	
-28	63900-39		BUSHING - Flap rod end	2	
-29	62820-00		SPRING - Flap return	1	
-30	62821-00		SPRING - Flap cable tension	1	
-31	62858-03		CHAIN - 65 Diamond 1/8 roller, length 8 5"	1	
-32	62858-04		CHAIN - 65 Diamond 1/8 roller, length 6 0"	1	
-33	62701-71		CABLE ASSEMBLY - Flap	1	
-34	62711-02		PULLEY - Flap	1	
-35	62713-02		BUSHING - Outer	1	
-36	62712-02		BUSHING - Inner	1	
-37	82732-76	W	BUSHING	1	
-38	95061-76		BUSHING	1	
-39	62856-00		FITTING ASSEMBLY - Left	1	
	62856-01		FITTING ASSEMBLY - Right	1	
-40	62727-00		TUBE ASSEMBLY - Flap torque tube, left	1	
	62727-01		TUBE ASSEMBLY - Flap torque tube, right	1	
-41	96681-00		CLIP - Flap cable tension spring, left	1	
	96681-01		CLIP - Flap cable tension spring, right	1	
-42	62840-03		EYE - Turnbuckle	1	
-43	489 910	W	TURNBUCKLE - (MS21251-B5S)	1	
-44	554 979	W	CLIP - (MS21256-1)	2	

When ordering, always specify Part Number, Description and Serial Number of Aircraft

PIPER PARTS CATALOG

Figure and Index Number	Part Number	Code	NOMENCLATURE	No. Req.	SERIAL NUMBERS AFFECTED
69-45	400 653		BOLT - Clevis (AN21-9)	2	
	407 562	W	WASHER - (AN960-6)	6	
	404 391		NUT - (AN320-1)	2	
-46	424 041		COTTER PIN - (MS24665-5)	2	
	411 538		SCREW - (MS35207-269)	2	
	404 224	W	NUT - (AN315-3R)	2	
-47	400 443	W	BOLT - (AN3-12A)	2	
	407 564	W	WASHER - (AN960-10)	2	
-48	424 052	W	COTTER PIN - (MS24665-134)	1	
-49	400 680		BOLT - Clevis (AN23-18)	2	
	407 564	W	WASHER - (AN960-10)	2	
	404 100	W	NUT - Castle (AN310-3)	2	
-50	424 051	W	COTTER PIN - (MS24665-132)	2	
	400 448	W	BOLT - (AN3-22A)	4	
	407 564	W	WASHER - (AN960-10)	4	
	404 887	W	NUT - (MS20365-1032C)	4	
-51	401 318	W	BOLT - (AN4-20A)	4	
	407 565	W	WASHER - (AN960-416)	4	
	404 888	W	NUT - (MS20365-428C)	4	
-52	400 004	W	BOLT - (AN4-7A)	1	
	407 585	W	WASHER - (AN960-416L)	1	
	404 888	W	NUT - (MS20365-428C)	1	
-53	400 673	W	BOLT - Clevis (AN23-11)	1	
	407 564	W	WASHER - (AN960-10)	1	
	404 392	W	NUT - (AN320-3)	1	
	424 051	W	COTTER PIN - (MS24665-132)	1	
-54	400 656		BOLT - Clevis (AN21-11)	1	
	407 562	W	WASHER - (AN960-6)	3	
	404 391		NUT - (AN320-1)	1	
-55	424 041		COTTER PIN - (MS24665-5)	1	
	400 652		BOLT - Clevis (AN21-8)	1	
	407 562	W	WASHER - (AN960-6)	1	
	404 391		NUT - (AN320-1)	1	
-56	424 041		COTTER PIN - (MS24665-5)	1	
	35669-27		PLACARD - Flap lever	1	

When ordering, always specify Part Number, Description and Serial Number of Aircraft

PIPER PARTS CATALOG

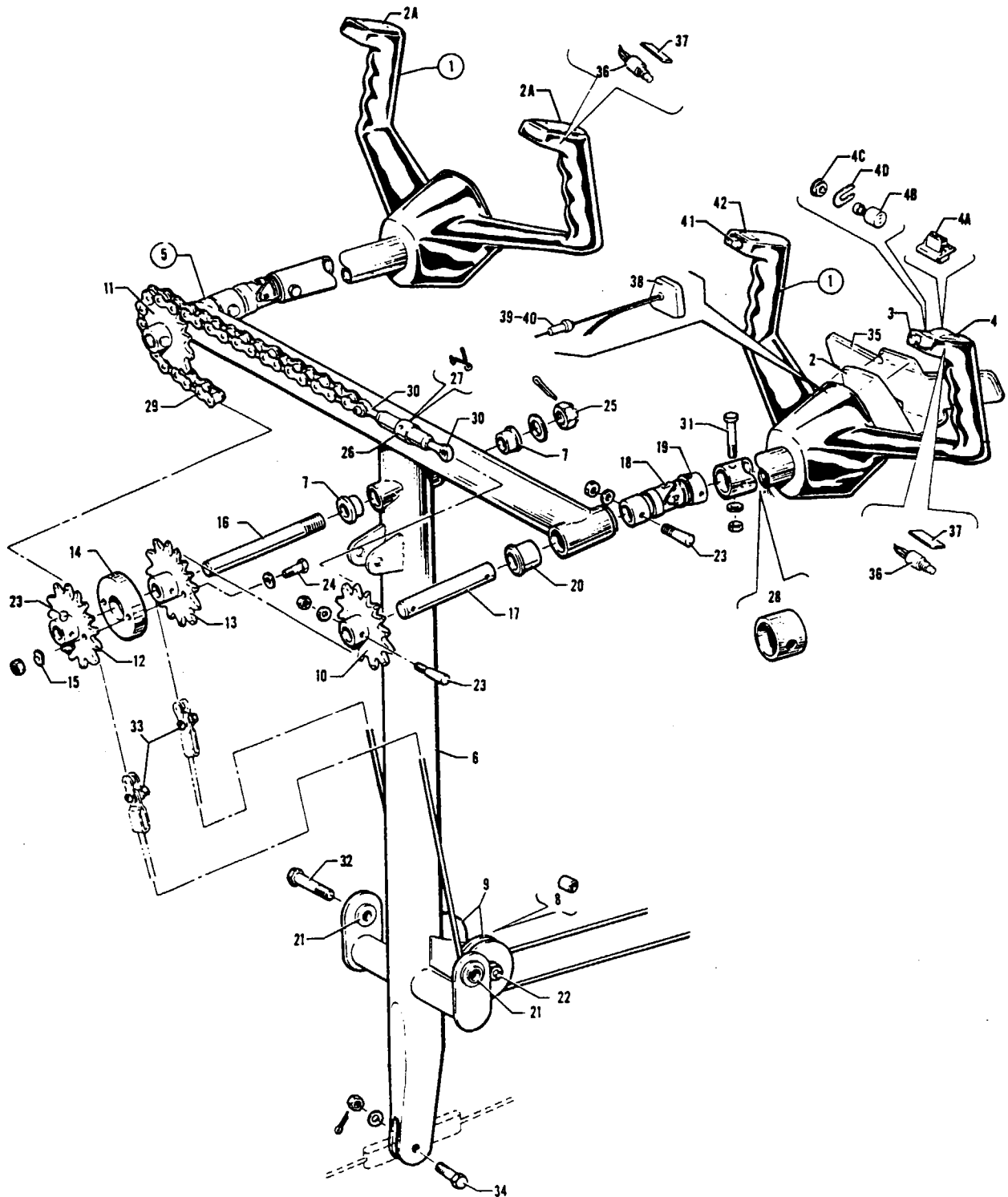


Figure 70 Control Wheel Installation

PIPER PARTS CATALOG

CODE EXPLANATIONS FOR FIGURE 70

- A - Used when AutoControl III B only is installed.
- B - Used with AutoControl III B and electric trim or when electric trim only is installed.
- C - Used when AltiMatic III C is installed.
- D - Control wheel assembly does not include switches. Order desired switches separately.
- W - These parts must be ordered from Service Spares Department, Piper Aircraft, Lock Haven, Penna.

PIPER PARTS CATALOG

Figure and Index Number	Part Number	Code	NOMENCLATURE	No. Req.	SERIAL NUMBERS AFFECTED
70-	37300		DRAWING - Control System Installation		
-1	79276-00	D	WHEEL ASSEMBLY - Control (left grip cored)	2	
-2	79275-00		* MEDALLION - Piper	1	
-2a	67491-00		* PLATE - Control wheel cover (standard)	2	
-3	67463-00	A	SWITCH ASSEMBLY - AutoControl III B	1	
-4	96994-00	B	SWITCH ASSEMBLY - Manual electric trim	1	
	96994-03	C	SWITCH ASSEMBLY - Manual electric trim and trim interrupt A/P disconnect	1	
-4a	587 862	B,C	* SWITCH - Manual electric trim (1C670)	1	
-4b	762 226	C	* SWITCH - Trim interrupt A/P disconnect (40S77)	1	
-4c	15660-02	C,W	ADAPTER - Trim interrupt A/P disconnect switch	1	
-4d	15661-02	C,W	ADAPTER - Trim interrupt A/P disconnect switch	1	
-5	62019-04		CONTROL COLUMN ASSEMBLY	1	
-6	62703-34		* TEE BAR ASSEMBLY - Control column	1	
-7	452 372	W	* * BEARING - (F504-2)	2	
-8	62712-04		* BUSHING - Aileron control pulley, inner	2	
-9	481 651	W	* PULLEY - Aileron control (MS20220-1)	2	
-10	62839-00		* SPROCKET ASSEMBLY - Aileron control	1	
-11	62845-02		* SPROCKET - Aileron control	1	
-12	63404-00		* SPROCKET - Aileron control	1	
-13	62778-00		* SPROCKET - Aileron control	1	
-14	62782-00		* SPACER - Aileron control sprocket	1	
-15	62784-00		* WASHER - Aileron control sprocket	2	
-16	69077-00		* SHAFT - Aileron control sprocket	1	
-17	62716-07		* SHAFT - Aileron control sprocket	2	
-18	62834-02		* UNIVERSAL JOINT	2	
-19	68557-00		* BUSHING - Control column	2	
-20	452 389		* BUSHING - (F825-2)	4	
-21	452 388		* BEARING - (F4DD)	2	
-22	401 333	W	* BOLT - (AN4-35A)	1	
	407 565	W	* WASHER - (AN960-416)	4	
	404 888	W	* NUT - (MS20365-428C)	1	
-23	480 730		* PIN - (AN386-1-6A)	5	
	494 093		* WASHER - (AN975-3)	5	
	404 835	W	* NUT - (MS20364-1032C)	5	
-24	401 269	W	* BOLT - (AN3-10A)	2	
	407 584	W	* WASHER - (AN960-10L)	2	
	407 564	W	* WASHER - (AN960-10)	2	
	404 887	W	* NUT - (MS20365-1032C)	2	
-25	407 568	W	* WASHER - (AN960-716)	1	
	404 104	W	* NUT - (AN310-7)	1	
	424 060	W	* COTTER PIN - (AN380-3-4)	1	
-26	489 910	W	TURNBUCKLE - (MS21251-B5S)	1	
-27	554 979	W	CLIP - (MS21256-1)	2	
-28	67193-03		STOP - Tee bar, left	1	
-29	62858-05		CHAIN - Aileron, control	2	
-30	62840-02		EYE BOLT - Turnbuckle, left	1	
	62840-03		EYE BOLT - Turnbuckle, right	1	
-31	66546-00		BOLT - Special	4	
	407 584	W	WASHER - (AN960-10L)	4	
	404 835	W	NUT - (MS20364-1032C)	4	
-32	401 310	W	BOLT - (AN4-10A)	2	
	62833-85		WASHER - Control column attachment, left	2	
	62833-86		WASHER - Control column attachment, right	2	
	404 888	W	NUT - (MS20365-428C)	2	

When ordering, always specify Part Number, Description and Serial Number of Aircraft

PIPER PARTS CATALOG

Figure and Index Number	Part Number	Code	NOMENCLATURE	No. Req.	SERIAL NUMBERS AFFECTED
70-33	400 653		BOLT - (AN21-9)	4	
	82732-76	W	BUSHING	4	
	404 391		NUT - (AN320-1)	4	
	424 041		COTTER PIN - (MS24665-5)	4	
-34	400 056	W	BOLT - (AN3-11)	1	
	407 564	W	WASHER - (AN960-10)	1	
	404 392	W	NUT - (AN320-3)	1	
	424 051	W	COTTER PIN - (MS24665-132)	1	
-35	67984-02		CLIP ASSEMBLY - Map	1	34-7870001 and up
-36	487 904	W	SWITCH - Boom mike (39-1)	2	34-7870001 and up
-37	35669-17		PLACARD - Mike	2	34-7870001 and up
-38	548 561		CLOCK - Control wheel (AT4210 PO)	1	34-8170001 and up
-39	465 258		FUSEHOLDER - (155020)	1	34-8170001 and up
-40	461 629		FUSE - (311005)	1	34-8170001 and up
-41	487 904	W	SWITCH - Remote transponder identifier (39-1)	1	34-8170001 and up
-42	35669-188		PLACARD - Transponder identifier	1	34-8170001 and up

When ordering, always specify Part Number, Description and Serial Number of Aircraft

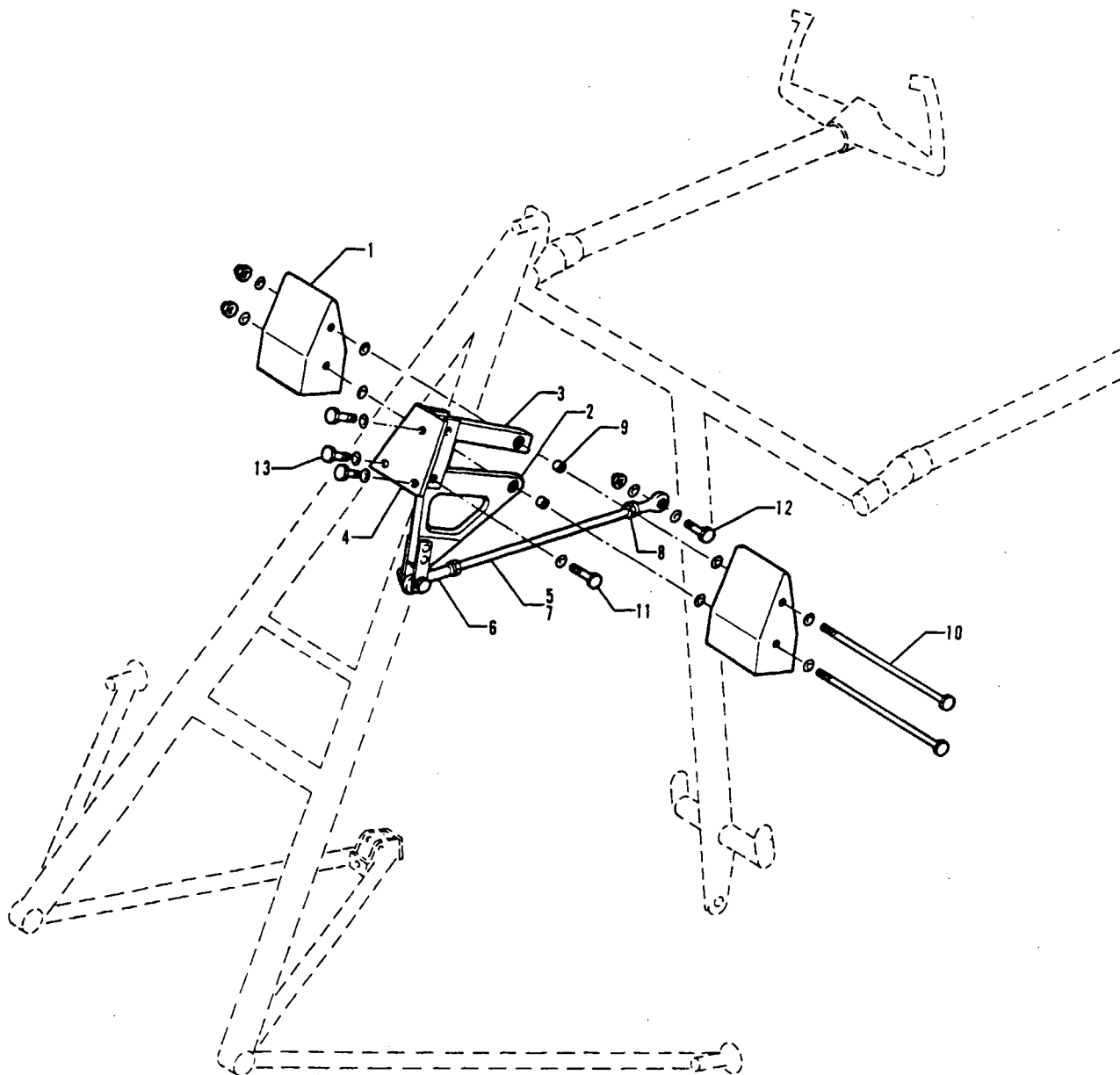


Figure 71. Bcbweight Installation

PIPER PARTS CATALOG

CODE EXPLANATIONS FOR FIGURE 71

W - These parts must be ordered from Service Spares Department, Piper Aircraft, Lock Haven, Penna.

PIPER PARTS CATALOG

Figure and Index Number	Part Number	Code	NOMENCLATURE	No. Req.	SERIAL NUMBERS AFFECTED
71-	37300		DRAWING - Control System Installation		
-1	37638-06		BOBWEIGHT ASSEMBLY	2	
-2	37643-00		LINK ASSEMBLY - Bobweight	1	
-3	37641-05		LINK ASSEMBLY - Bobweight	1	
-4	37635-03		SUPPORT ASSEMBLY - Bobweight	1	
-5	37633-00		PUSHROD ASSEMBLY - Bobweight	1	
-6	452 616		BEARING - Rod end (REPB3N)	2	
-7	37633-02		ROD - Bobweight	1	
-8	404 225	W	NUT - (AN315-4R)	2	
-9	95061-122		BUSHING	4	
-10	400 485		BOLT - (AN3-62A)	2	
	407 584	W	WASHER - (AN960-10L)	AR	
	404 887	W	NUT - (MS20365-1032C)	2	
-11	400 870	W	BOLT - (AN23-18A)	2	
	407 564	W	WASHER - (AN960-10)	2	
	404 887	W	NUT - (MS20365-1032C)	2	
-12	401 269	W	BOLT - (AN3-10A)	2	
	407 584	W	WASHER - (AN960-10L)	AR	
	404 887	W	NUT - (MS20365-1032C)	2	
-13	401 266	W	BOLT - (AN3-5A)	3	
	407 564	W	WASHER - (AN960-10)	3	

When ordering, always specify Part Number, Description and Serial Number of Aircraft

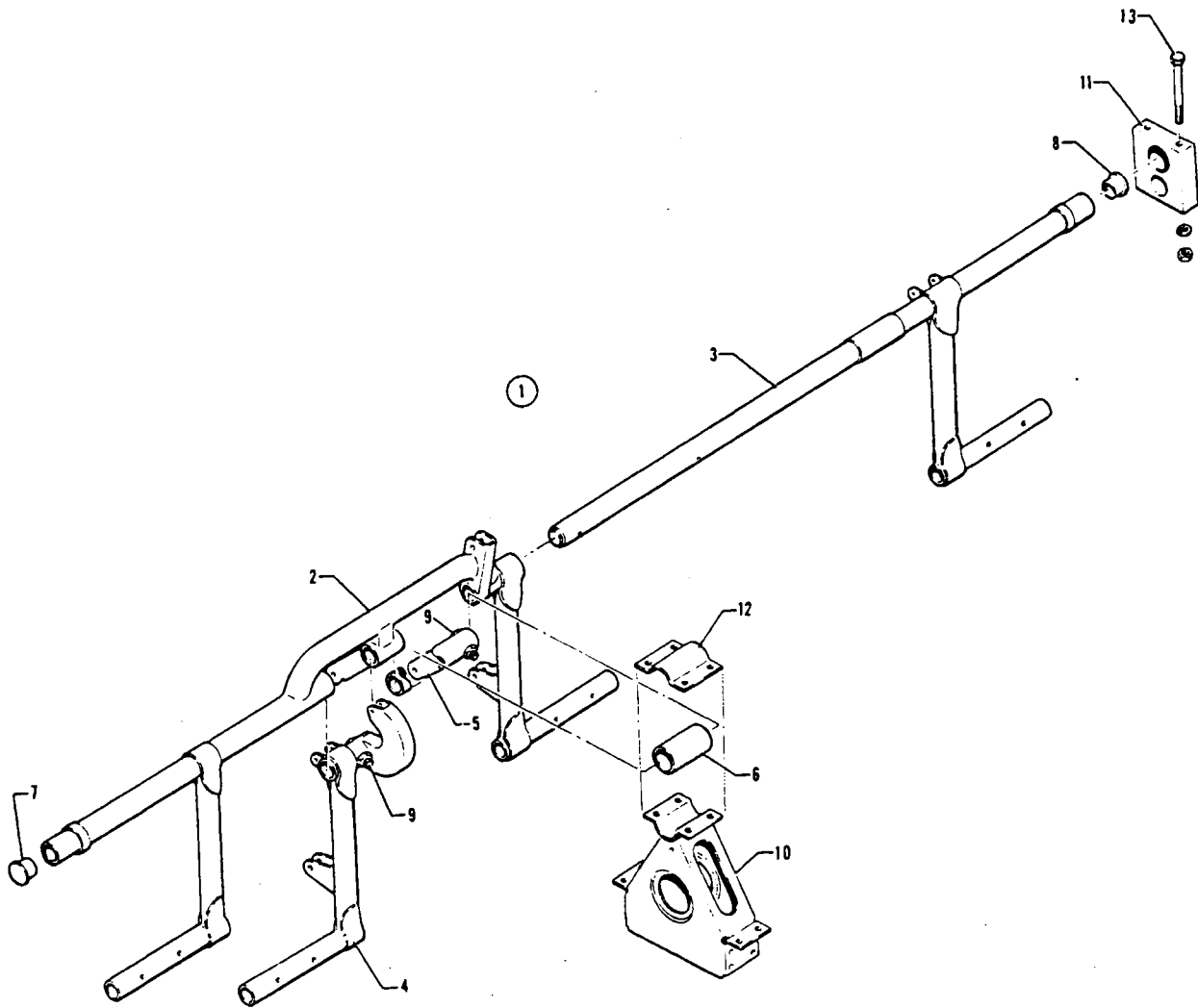


Figure 72. Rudder Pedal Installation

PIPER PARTS CATALOG

CODE EXPLANATIONS FOR FIGURE 72

W - These parts must be ordered from Service Spares Department, Piper Aircraft, Lock Haven, Penna.

PIPER PARTS CATALOG

Figure and Index Number	Part Number	Code	NOMENCLATURE	No. Req.	SERIAL NUMBERS AFFECTED
72-	37300		DRAWING - Control System Installation		
-1	95385-04		RUDDER PEDAL ASSEMBLY - Complete	1	
-2	63420-10		* BAR ASSEMBLY - Rudder control, left	1	
-3	63419-03		* BAR ASSEMBLY - Rudder control, right	1	
-4	63458-07		* TUBE ASSEMBLY - Rudder control	1	
-5	95386-00		* ARM ASSEMBLY - Rudder control	1	
-6	95882-00		* BEARING - Self lubricating	1	
-7	581 330		* PLUG - (TY-13) Left	1	
-8	581 332		* PLUG - (TY-10) Right	1	
-9	402 318	W	* BOLT - (AN174-14A)	2	
	407 585	W	* WASHER - (AN960-416)	4	
	404 888	W	* NUT - (MS20364-428C)	2	
-10	95877-04		SUPPORT ASSEMBLY - Rudder control, center	1	
-11	95885-00		BEARING ASSEMBLY - Rudder bar support	2	
-12	95441-02		CLAMP - Bearing	1	
-13	400 457		BOLT - (AN3-32A)	4	
	407 564	W	WASHER - (AN960-10)	4	
	404 887	W	NUT - (MS20365-1032C)	4	

When ordering, always specify Part Number, Description and Serial Number of Aircraft

PIPER PARTS CATALOG

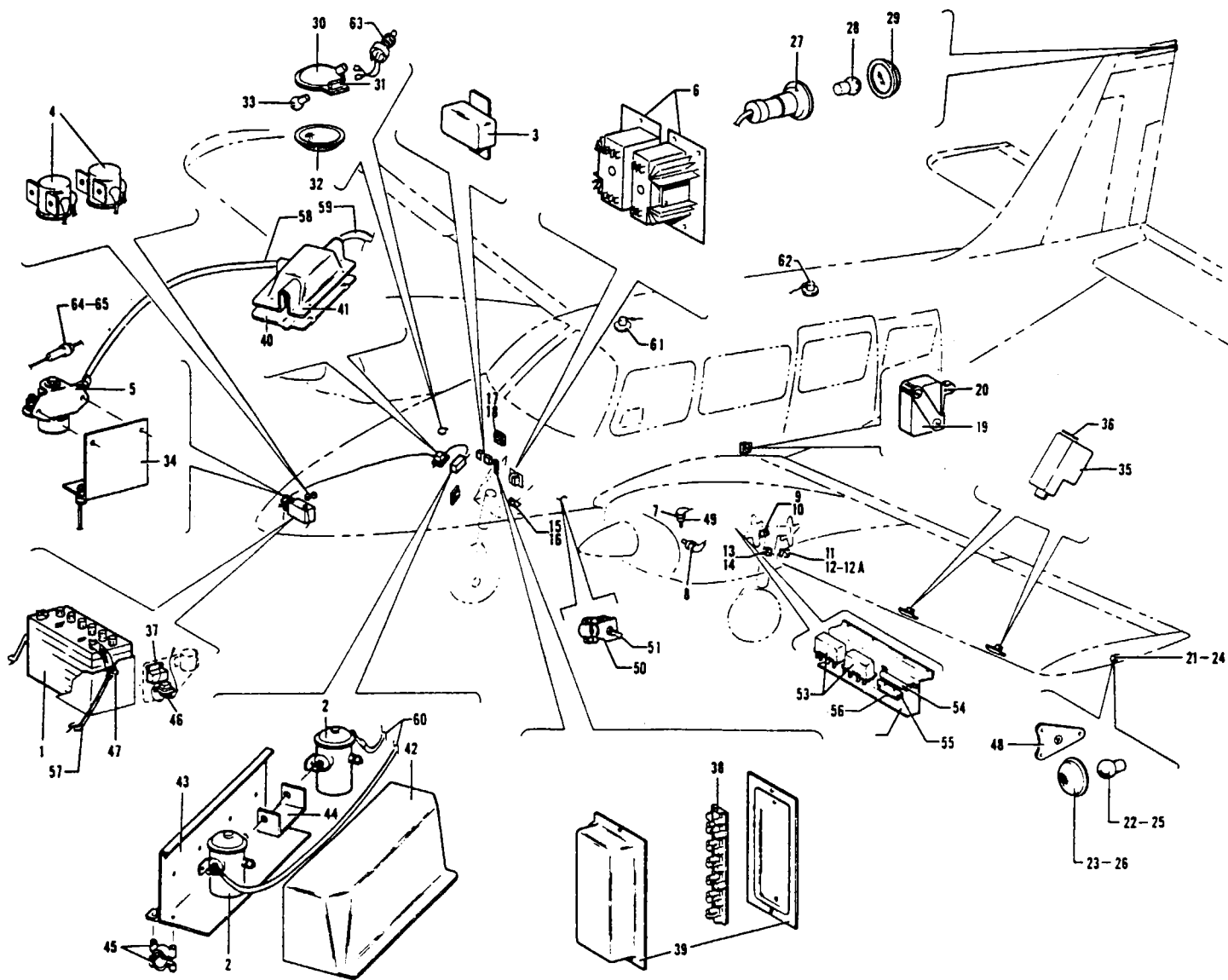


Figure 73 Electrical System Installation

REVISED: APRIL 1981

2D19

PA-34-200T

Island Enterprises

PIPER PARTS CATALOG

CODE EXPLANATIONS FOR FIGURE 73

- A - See Figure 75 if wing tip strobe lights are installed
- B - Used on aircraft with serial numbers 34-7570309 and up. Also used on aircraft with serial numbers 34-7570001 to 34-7570308 inclusive if Auxiliary Fuel System Modification Kit 760 926 only has been installed per Service Letter 754.
- C - Used on aircraft with serial numbers 34-7770001 and up if Optional Engine Primer System is installed. Also used on aircraft with serial numbers 34-7570001 to 34-7670393 inclusive if Auxiliary Fuel System Modification Kit 760 926 and Optional Engine Primer System Installation Kit 761 094 has been installed Per Service Letter 792.
- D - Used if automatic door light switch is installed.
- W - These parts must be ordered from Service Spares Department, Piper Aircraft, Lock Haven, Penna.

PIPER PARTS CATALOG

Figure and Index Number	Part Number	Code	NOMENCLATURE	No. Req.	SERIAL NUMBERS AFFECTED
73-	37063		DRAWING - Electrical System Installation		
-1	450 035	W	BATTERY - (R-35)	1	
-2	99130-02	W	SOLENOID - Starter (487 169)	2	
-3	450 397		RELAY - Overvoltage (PS50034-1)	2	
-4	484 373	W	RELAY - Landing gear power (24059)	2	
-5	455 151	W	RELAY - Power (6041H105)	1	
-6	550 393	W	REGULATOR - Voltage (B-00288-1)	2	
-7	550 487		SENDER - Oil temperature gauge (362-EW)	2	
-8	550 549		SENDER - Cylinder head temperature (333B)	2	
-9	67411-02		SWITCH - Down limit, main gear, left	1	
	67411-04		SWITCH - Down limit, main gear, right	1	
-10	451 823		* ACTUATOR - (JE-73)	1	
-11	67411-05		SWITCH - Up limit, main gear, left	1	
	67411-20		SWITCH - Up limit and ground operation fan, main gear, right	2	
-12	451 823		* ACTUATOR - (JE-73), left	1	
-12a	451 823		ACTUATOR - (JE-73), right	1	
-13	67411-08		SWITCH - Squat and stall warning prevention, main gear, left	2	
-14	451 823		ACTUATOR - (JE-73)	1	
-15	95201-02		SWITCH - Up limit, nose gear	1	
-16	451 823		* ACTUATOR - (JE-73)	1	
-17	95232-00		SWITCH - Down limit, nose gear	1	
-18	451 823		* ACTUATOR - (JE-73)	1	
-19	487 925	W	SWITCH - Stall warning horn (V3-1)	1	
-20	451 841	W	ACTUATOR - Stall warning switch (JV-5)	1	
-21	472 665	A,W	LIGHT - Navigation, red (A1285-R-12)	1	
-22	751 381	W	* BULB - (1512)	1	
-23	751 202	W	* LENS - Red	1	
-24	472 666	A,W	LIGHT - Navigation, green (A1285-G-12)	1	
-25	751 381	W	* BULB - (1512)	1	
-26	751 201	W	* LENS - Green	1	
-27	472 736	W	LIGHT - Tail, white (A2064-1073)	1	
-28	753 431	W	* BULB - (1073)	1	
-29	751 203	W	* LENS - White	1	
-30	66632-00		REFLECTOR ASSEMBLY - Forward baggage light (with manual switch)	1	34-7570001 and up
	66632-02	D	REFLECTOR ASSEMBLY - Forward baggage light (less manual switch)	1	34-7870073 and up
-31	487 777	W	* SWITCH - Baggage light (5518) manual	1	
-32	472 330	W	LENS - Forward baggage light (12715-00)	1	
-33	472 036	W	LAMP - Forward baggage light (89)	1	
-34	62279-00		DIODE ASSEMBLY - Master relay	1	
-35	472 890		DETECTOR - Lift (186-501)	2	
-36	450 741	W	DECAL - Lift detector (C52207-3)	2	
-37	37718-00		RELAY ASSEMBLY - Radio bus	1	34-7570001, 34-7570002, 34-7570004 to 34-7570337 incl
	484 209		RELAY ASSEMBLY - Radio bus (PS50039-2-2)	2	34-7570003, 34-7670001 and up
-38	588 362		STRIP - Terminal (MS27212-1-6)	1	
-39	95213-02		COVER - Terminal strip, forward	1	
	95213-00		COVER - Terminal strip, aft	1	
-40	96525-00		COVER ASSEMBLY - Electric bus	1	
-41	96525-02		COVER - Electric bus	1	
-42	96600-00		COVER - Starter solenoid	1	

When ordering, always specify Part Number, Description and Serial Number of Aircraft

PIPER PARTS CATALOG

Figure and Index Number	Part Number	Code	NOMENCLATURE	No. Req.	SERIAL NUMBERS AFFECTED
73-43	96599-00		FRAME ASSEMBLY - Starter solenoid	1	
-44	96601-00		LINK - Copper, solenoid	1	
-45	96597-00		CLAMP ASSEMBLY - Solenoid frame support	2	
-46	78298-04		INDUCTOR	1	
-47	66616-02		TERMINAL - Battery box	2	
-48	406 393		NUT - Special, light attachment (A18828-6Z-3)	2	
-49	462 003		GASKET - (Type 10)	2	
-50	96592-00		BRACKET ASSEMBLY - Landing light switch, nose gear	1	
-51	587 854		* SWITCH - (MS35059-29)	1	
-52	37753-00	B	CONTROL ASSEMBLY - Auxiliary fuel	2	
	37753-02	C	CONTROL ASSEMBLY - Auxiliary fuel	2	
-53	484 209		* RELAY ASSEMBLY - (PS50053-2-2)	2	
-54	484 522		* RESISTOR - (VP-50-KA)	1	
-55	38255-02	C	* BLOCK ASSEMBLY	1	
-56	67487-02	C	* DIODE ASSEMBLY	1	
-57	95270-83		WIRE ASSEMBLY - Positive (23.0")	1	
	95270-84		WIRE ASSEMBLY - Ground (73.3")	1	
-58	95270-82		WIRE ASSEMBLY - Power relay to electrical buss (51.5")	1	
-59	95270-11		WIRE ASSEMBLY - Electrical buss to starter solenoid (10.0")	1	
-60	78140-190		WIRE ASSEMBLY - Starter solenoid to starter, left (147.0")	1	
	78140-191		WIRE ASSEMBLY - Starter solenoid to starter, right (132.0")	1	
-61	37871-05		LIGHT ASSEMBLY - Courtesy, forward (Whelen)	1	34-7870001 and up
-62	37871-04		LIGHT ASSEMBLY - Courtesy, aft (Whelen)	1	34-7870001 and up
-63	37873-02		SWITCH ASSEMBLY - Baggage light, automatic	1	34-7870003 and up
-64	79595-19		FUSE ASSEMBLY	1	34-8170001 and up
-65	461 657		* FUSE - (312001) 1 amp	1	34-8170001 and up

When ordering, always specify Part Number, Description and Serial Number of Aircraft

2D23 THRU 2D24
INTENTIONALLY LEFT BLANK

PIPER PARTS CATALOG

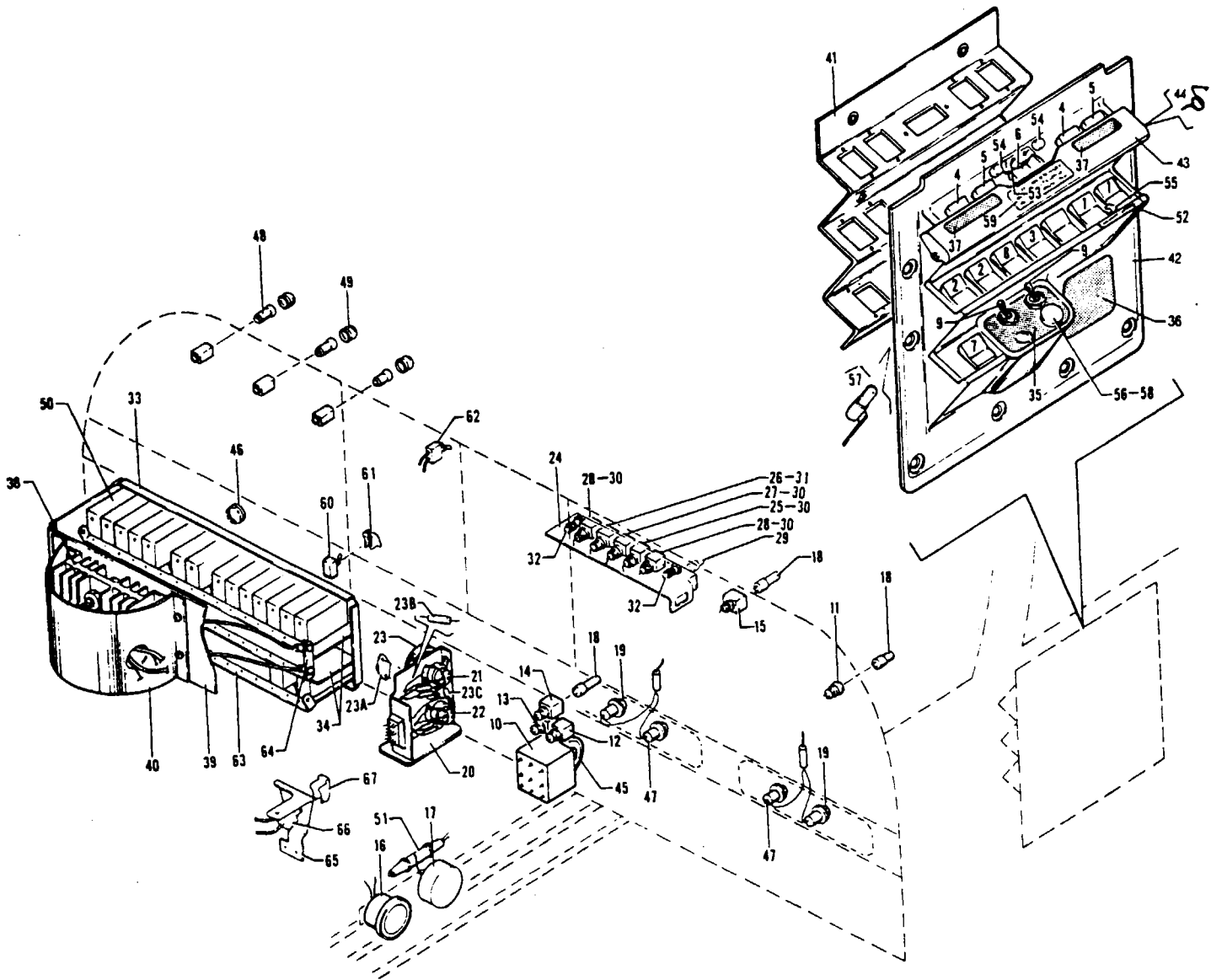


Figure 74 Instrument Panel Electrical Installation

PIPER PARTS CATALOG

CODE EXPLANATIONS FOR FIGURE 74

- A - See Figure 75 if Wing Tip Strobe Lights are installed
- B - Order part with serial numbers 34-7570309 and up if Auxiliary Fuel System Modification Kit 760 926 has been installed per Service Letter 754
- C - Used on aircraft with serial numbers 34-7570001 to 34-7570308 inclusive if Auxiliary Fuel System Modification Kit 760 926 has been installed per Service Letter 754.
- D - When ordering specify color black or bark. Specify color "Bark I" for serial numbers 34-7770001 to 34-7770164 inclusive. Specify color "Bark II" or black for serial numbers 34-7770165 and up
- E - Used on serial numbers 34-7570001 to 34-7570327 inclusive if Avionics Bus Relay By-pass Modification Kit 761 133 has been installed per Service Bulletin 553
- F - See Figure 81B if King KFC-200 AutoPilot or King KFC-200 AutoPilot Flight Director is installed
- W - These parts must be ordered from Service Spares Department, Piper Aircraft, Lock Haven, Penna

PIPER PARTS CATALOG

Figure and Index Number	Part Number	Code	NOMENCLATURE	No. Req	SERIAL NUMBERS AFFECTED
74-	37063		DRAWING - Instrument Panel Harness Installation		
-1	99377-02	B	SWITCH - Fuel pump	2	34-7570001 to 34-7570308 incl
	99377-29		SWITCH - Fuel pump	2	34-7570309 and up
-2	99377-03		SWITCH - Landing light	2	
-3	99377-06	A	SWITCH - Strobe light	1	
-4	99377-08		SWITCH - Magneto, left	2	
-5	99377-09		SWITCH - Magneto, right	2	
-6	99377-11		SWITCH - Starter	1	
-7	99377-13		SWITCH - Master	1	
-8	99377-15		SWITCH - Navigation lights	1	
-9	487 771		SWITCH - Alternator (AN3021-2)	2	
-10	587 818		SWITCH - Gear (PS50037-1-2)	1	
-11	67422-04		LIGHT - Indicator (stall warning)	1	34-7570001 to 34-7570337 incl
-12	67422-05		LIGHT - Indicator (left gear)	1	
-13	67422-06		LIGHT - Indicator (right gear)	1	
-14	67422-07		LIGHT - Indicator (nose gear)	1	
-15	67422-11		LIGHT - Indicator (warning gear unsafe)	1	
-16	565 407		HORN - Stall warning (53534-1)	1	
-17	565 288	W	HORN - Gear warning (02054-3)	1	
-18	472 054	W	BULB - (PS10008-330)	5	
-19	472 056		BULB - (PS10008-53)	4	
-20	37399-00		CONTROL ASSEMBLY - Dimmer	1	
-21	67436-04		* SWITCH - Potentiometer	1	
-22	67436-06		* SWITCH - Potentiometer	1	
-23	67437-00		* KNOB - Potentiometer	2	
-23a	489 400		* TRANSISTOR - (2N3055)	2	
-23b	484 498		* RESISTOR - (22 ohm, 1 watt)	2	
-23c	484 494		* RESISTOR - (VC5E, 50 ohm)	1	
-24	37520-00		PANEL ASSEMBLY - Annunciator	1	
-25	67422-12		* LIGHT - Indicator (oil)	1	
-26	67422-14		* LIGHT - Indicator (alt)	1	
-27	67422-15		* LIGHT - Indicator (gyro air)	1	
-28	67422-16		* LIGHT ASSEMBLY - Indicator (over boost) white	2	
	67422-21		* LIGHT ASSEMBLY - Indicator (over boost) amber	2	
-29	487 904	W	* SWITCH - (39-1)	1	
-30	472 054	W	* BULB - (PS10008-330)	4	
-31	453 695	W	* BULB - (PS10008-328)	1	
-32	472 912		* LIGHT - Indicator (aux fuel ON)	2	
-33	37410-00		PANEL ASSEMBLY - Circuit breaker	2	
-34	37558-00		INSULATOR - Circuit breaker panel	2	
-35	95204-02		PLACARD - Alternator	1	
	69669-179		PLACARD - Alternator and dimmer switch lights	1	34-7770001 and up
-36	69669-49		PLACARD - Operations limitations	1	34-7570001 to 34-7970556 incl
	35669-141		PLACARD - Operations limitations	1	34-8070001 and up
-37	96727-00		PLACARD - Magneto switch cover, left	1	
	96727-02		PLACARD - Magneto switch cover, right	1	
-38	37409-00		DIODE - Circuit breaker cooler assembly	1	
-39	37385-00		SUPPORT - Circuit breaker	1	

When ordering, always specify Part Number, Description and Serial Number of Aircraft

PIPER PARTS CATALOG

Figure and Index Number	Part Number	Code	NOMENCLATURE	No. Req	SERIAL NUMBERS AFFECTED
74-40	37386-00		SHIELD - Cooler	1	
-41	96955-00		PLATE ASSEMBLY - Switch panel	1	
-42	96954-02	D	COVER - Switch panel (unlighted)	1	
	96954-03	D	COVER - Switch panel (lighted)	1	34-7770001 and up
-43	96730-00	D	COVER ASSEMBLY - Magneto switch	1	
-44	96729-00		SPRING - Magneto switch cover, left	1	
	96729-01		SPRING - Magneto switch cover, right	1	
-45	67439-00		KNOB - Gear switch	1	
-46	453 602	W	BUTTON - Plug (SS48152)	24	
-47	487 171		SOCKET AND WIRE ASSEMBLY - Instrument cluster	4	
-48	472 056		LAMP - (PS10008-53)	21	
-49	460 602		FILTER - (1813-26)	21	
-50	454 714		CIRCUIT BREAKER - (PS50120-2-1) 5 AMP	17	
	454 715		CIRCUIT BREAKER - (PS50120-2-3) 10 AMP	7	
	454 716		CIRCUIT BREAKER - (PS50120-2-4) 15 AMP	2	
	454 718		CIRCUIT BREAKER - (PS50120-2-6) 25 AMP	1	
	454 720		CIRCUIT BREAKER - (PS50120-2-2) 8 AMP	2	
-51	38149-00		FLASHER ASSEMBLY - Gear warning	1	34-7670001 and up
-52	69669-106	C	PLACARD - Auxiliary fuel pumps	1	34-7570309 and up
-53	69669-102	C	PLACARD - Primer	1	34-7570309 and up
-54	37756-00	C	SWITCH ASSEMBLY - Auxiliary fuel primer	2	34-7570309 and up
-55	37758-00	C	LOCK ASSEMBLY - Switch	1	34-7570309 to 34-7870320 incl
	35766-02		LOCK ASSEMBLY - Tab	1	34-7807321 and up
-56	37648-02		DIMMER ASSEMBLY - Switch panel	1	34-7770001 and up
-57	472 080		LAMP - (PS10008-161)	2	34-7770001 and up
-58	571 136		KNOB - Dimmer assembly (PS10067-4-1)	1	34-7770001 and up
-59	69669-183		PLACARD - Optional engine primer	1	
-60	587 903	E	SWITCH - Radio bus emergency by-pass (MS35058-22)	1	
-61	755 059	E	GUARD - Switch (MS25224-1)	1	
-62	37695-00		SWITCH ASSEMBLY - Radio master	1	34-7570003, 34-7670001 to 34-8070101 incl
	37695-04		SWITCH ASSEMBLY - Radio master	1	34-8070102 and up
-63	37206-00	F	BUS BAR - Strip (11 40" long)	3	
-64	37365-00		BUS TIE - Strip	1	
-65	36936-03		BRACKET - Emergency bus switch	1	34-8070102 and up
-66	36935-04		SWITCH ASSEMBLY - Emergency bus	1	34-8070102 and up
-67	463 615		GUARD - Switch (MS25224-1)	1	34-8070102 and up

When ordering, always specify Part Number, Description and Serial Number of Aircraft

PIPER PARTS CATALOG

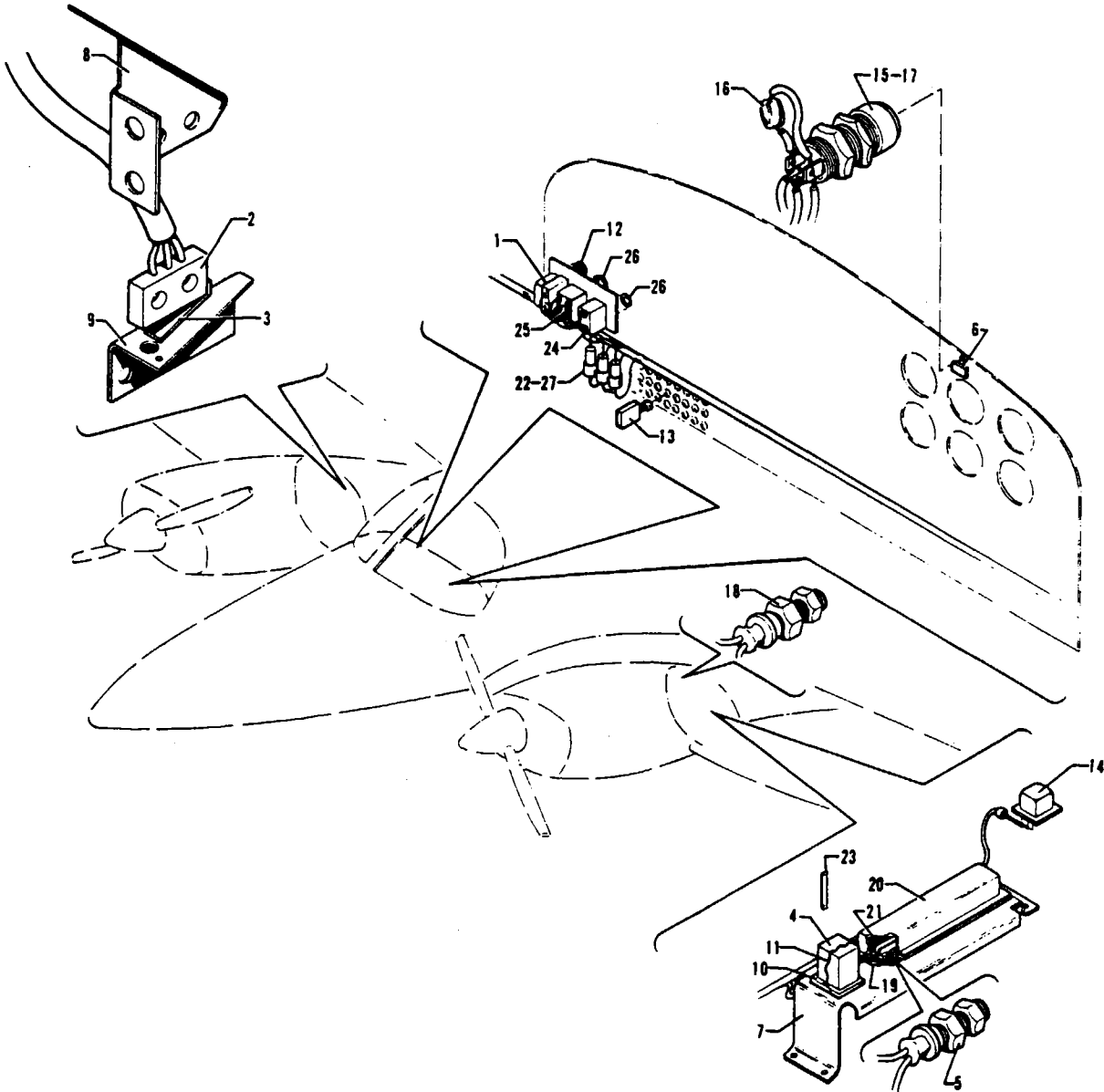


Figure 74A. Air Conditioning Electrical Installation
(Serial Nos. 34-7970001 and up)

REVISED: APRIL 1981

2E5

PA-34-200T

PIPER PARTS CATALOG

CODE EXPLANATIONS FOR FIGURE 74A

W - These parts must be ordered from Service Spares Department, Piper Aircraft, Lock Haven, Penna.

PIPER PARTS CATALOG

Figure and Index Number	Part Number	Code	NOMENCLATURE	No. Req.	SERIAL NUMBERS AFFECTED
74A-	36831		DRAWING - Air Conditioning Electrical Installation		
-1	99717-00		THERMOSTAT - Air conditioning	1	
-2	487 922		SWITCH - Squat (1SE1)	1	
-3	451 823		ACTUATOR - (JE-73)	1	
-4	584 015		RELAY - (KUP11D15-12V)	1	
-5	36903-02		DIODE ASSEMBLY - Air conditioning	1	
-6	35669-101		PLACARD - Air cond door open	1	
-7	36834-02		BRACKET ASSEMBLY - Relay	1	
-8	37732-01		BRACKET - Squat switch	1	
-9	67023-01		BRACKET - Squat switch actuator	1	
-10	487 081		SOCKET - Relay (27E067)	1	
-11	587 488		SPRING - (20C228)	1	
-12	571 162		KNOB - (RB67-1-SB-M)	1	
-13	454 717		CIRCUIT BREAKER - (PS50120-2-5) 20 AMP	1	
-14	484 209		RELAY - (PS50053-2-2)	1	
-15	472 844		LIGHT - (MS25041-4)	1	
-16	484 467		RESISTOR - (4392)	1	
-17	472 054	W	LAMP - (PS10008-330)	1	
-18	456 793		DIODE - (MR1120R)	1	
-19	67404-02		COVER - Terminal strip, bottom	1	
-20	67404-03		COVER - Terminal strip, top	1	
-21	488 545		BOARD ASSEMBLY - Terminal (MS25123-1-12)	1	
-22	461 629		FUSE - (311005) 5 AMP	3	
-23	36882-02		STRAP - Clamp	1	
-24	587 903		SWITCH - A/C, on-off (MS35058-22)	1	
-25	688 235		SWITCH - Fan (8946K942)	1	
-26	62833-88		WASHER - Plastic	2	
-27	454 873	W	CLIP - (125002)	3	

When ordering, always specify Part Number, Description and Serial Number of Aircraft

PIPER PARTS CATALOG

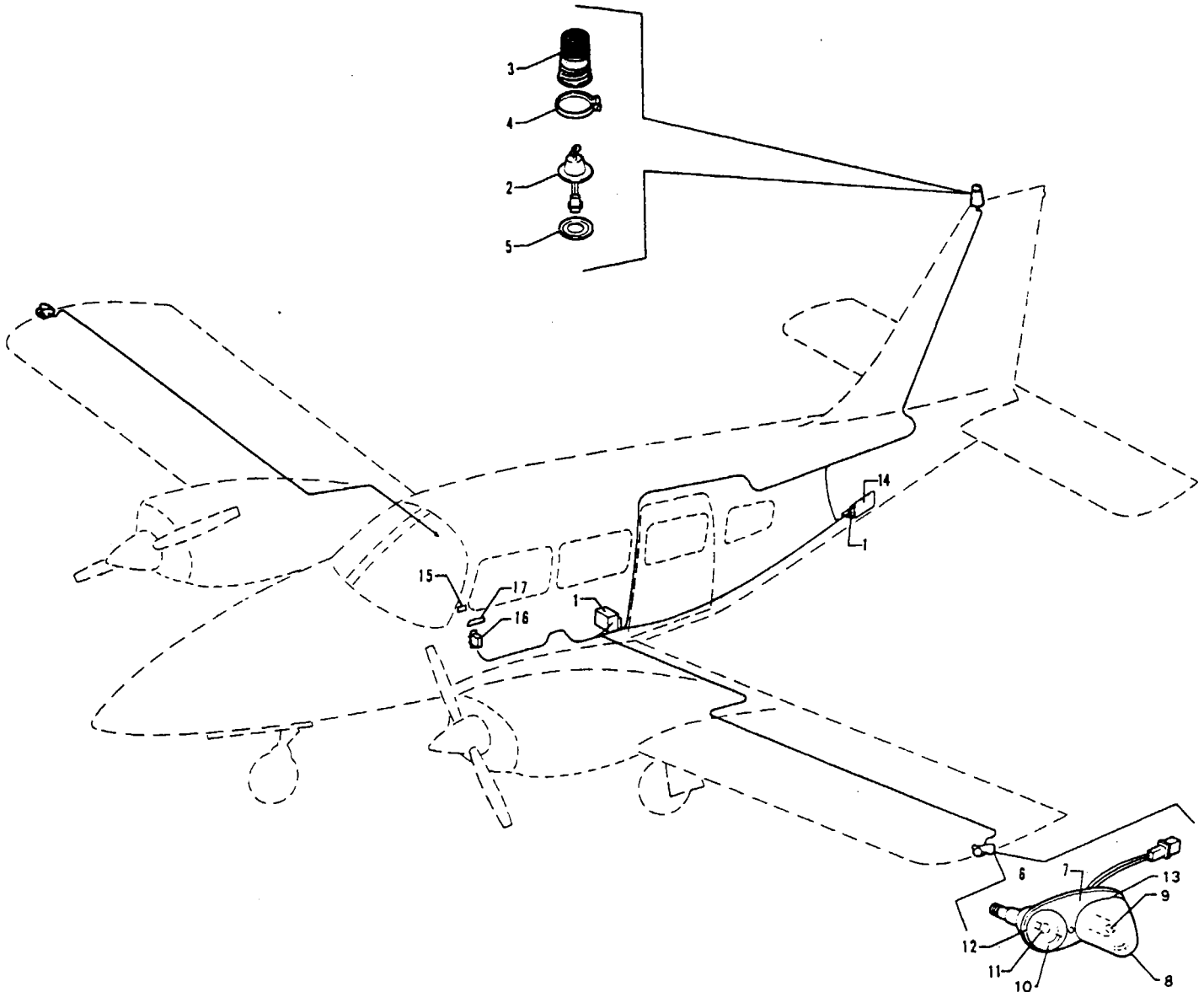


Figure 75 Strobe Lights Installation

REVISED AUGUST 1979

PIPER PARTS CATALOG

CODE EXPLANATIONS FOR FIGURE 75

- A - Used if strobe wing tip lights are not installed
- B - Used if strobe wing tip lights are installed.
- C - Used with white wing tip strobe only
- D - Used with red wing tip strobe only
- E - Used if red strobe wing tip lights are installed
- W - These parts must be ordered from Service Spares Department, Piper Aircraft, Lock Haven, Penna

PIPER PARTS CATALOG

Figure and Index Number	Part Number	Code	NOMENCLATURE	No Req.	SERIAL NUMBERS AFFECTED
75-	95267 79850		DRAWING - Strobe Lights Installation DRAWING - Strobe Lights Installation		34-7570001 to 34-7970070 incl 34-7970071 and up
-1	481 214	A.W	POWER SUPPLY - Strobe lights	1	
	763 469	B.W	POWER SUPPLY - Strobe lights	1	
-2	757 762		LIGHT ASSEMBLY - Strobe, fin (unshielded)	1	
	761 189	W	LIGHT ASSEMBLY - Strobe, fin (shielded)	1	
-3	761 161		LENS - Strobe light, red (unshielded)	1	
	761 194		LENS - Strobe light, red (shielded)	1	
-4	755 200	W	CLAMP ASSEMBLY - Ring	1	
-5	751 312		ADAPTER - Mounting plate	1	
-6	761 158	W	LIGHT ASSEMBLY - Red navigation and white strobe, wing tip (unshielded)	1	
	472 896		LIGHT ASSEMBLY - Red navigation and white strobe, wing tip (shielded)	1	
	472 988		LIGHT ASSEMBLY - Red navigation and red strobe, wing tip (shielded)	1	34-7970071 and up
	761 159	W	LIGHT ASSEMBLY - Green navigation and white strobe, wing tip (unshielded)	1	
	472 895		LIGHT ASSEMBLY - Green navigation and white strobe, wing tip (shielded)	1	
	472 987		LIGHT ASSEMBLY - Green navigation and red strobe, wing tip (shielded)	1	34-7970071 and up
-7	756 037	W	* RETAINER - Unshielded light lens	1	
-8	761 157	C.W	* LENS - Wing tip strobe (unshielded)	1	
	761 162	C.W	* LENS AND RETAINER ASSEMBLY - Wing tip strobe (shielded)	1	
	761 222	D	* LENS AND RETAINER ASSEMBLY - Wing tip strobe (shielded)	1	
-9	761 156	C.W	* TUBE ASSEMBLY - Flash, tip	1	
	762 003	D.W	* TUBE ASSEMBLY - Flash, tip	1	
-10	751 202	W	* LENS - Navigation, red	1	
	751 201	W	* LENS - Navigation, green	1	
-11	751 381	W	* BULB - (1512)	1	
-12	755 075	W	* GASKET - Navigation light (W1283)	1	
-13	755 076	W	* GASKET - Wing strobe (A-427-4)	1	
-14	99031-00		BRACKET ASSEMBLY - Strobe unit mount	1	34-7670273 and up
-15	96602-00	B	PLACARD - Strobe light operating	1	
-16	99377-07		SWITCH - Strobe light	1	
-17	35669-106		PLACARD - Day V F R. only	1	34-7970071 and up

When ordering, always specify Part Number, Description and Serial Number of Aircraft

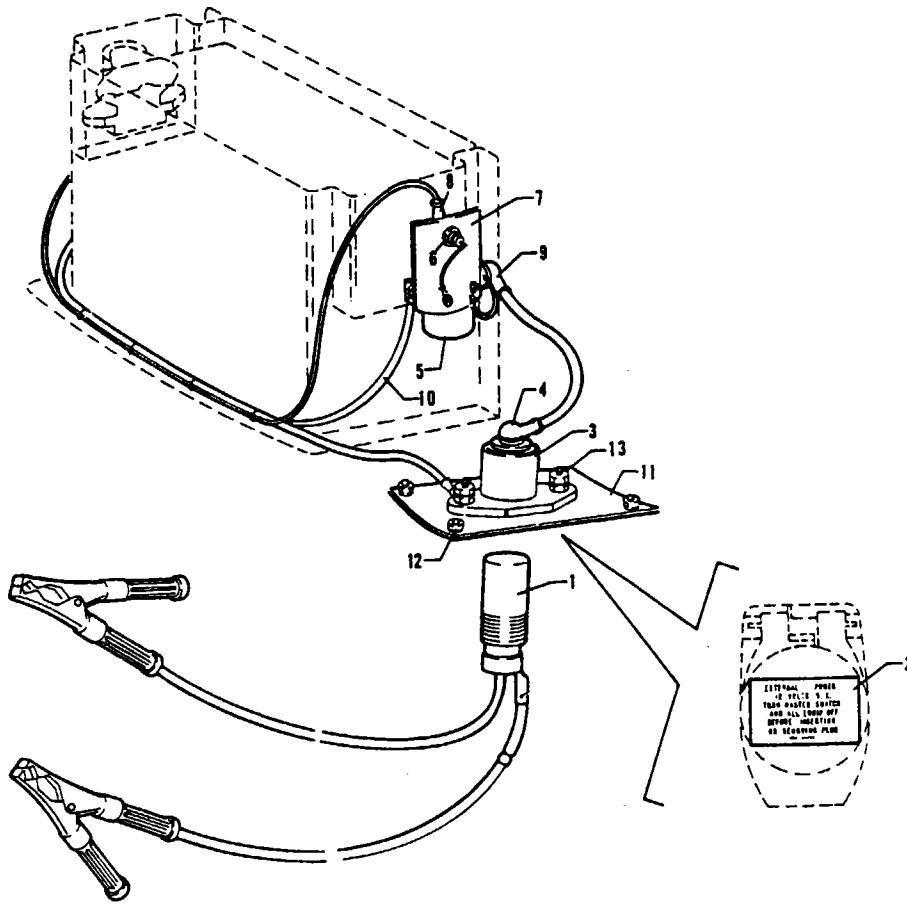


Figure 76 External Power Supply Installation

PIPER PARTS CATALOG

CODE EXPLANATIONS FOR FIGURE 76

W - These parts must be ordered from Service Spares Department, Piper Aircraft, Lock Haven, Penna.

PIPER PARTS CATALOG

Figure and Index Number	Part Number	Code	NOMENCLATURE	No. Req.	SERIAL NUMBERS AFFECTED
76-	95231		DRAWING - External Power Supply Installation		
-1	62355-02	W	PLUG ASSEMBLY - Power connector	1	
-2	69669-173		PLACARD - External power	1	
-3	62355-08		SOCKET ASSEMBLY - Power connector	1	
-4	23969-04	W	* NIPPLE	1	
-5	484 373	W	SOLENOID - (24059)	1	
-6	456 728	W	DIODE - (IN3208)	1	
-7	68198-00		SUPPORT - Diode	1	
-8	23969-02	W	NIPPLE - Diode	1	
-9	23969-04	W	NIPPLE - Solenoid	1	
-10	79653-19		CABLE ASSEMBLY - Solenoid to battery box	1	
-11	95203-00		PLATE ASSEMBLY - External power	1	
-12	416 633	W	SCREW - (MS24693-S273)	4	
	494 087		WASHER - (A3235-020-1)	4	
	407 564	W	WASHER - (AN960-10)	4	
	404 887	W	NUT - (MS20365-1032C)	4	
-13	405 515		NUT - (MS51967-5)	2	
	407 045		WASHER - (MS35338-45)	2	

When ordering, always specify Part Number, Description and Serial Number of Aircraft

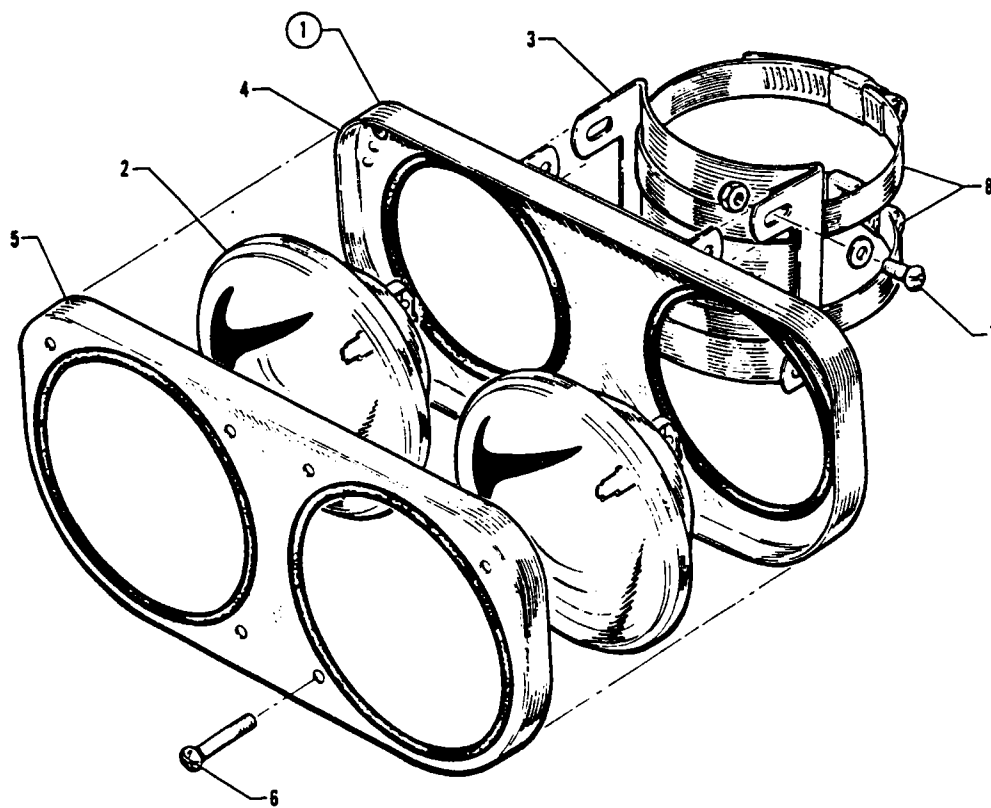


Figure 77 Landing Light Assembly

PIPER PARTS CATALOG

CODE EXPLANATIONS FOR FIGURE 77

W - These parts must be ordered from Service Spares Department, Piper Aircraft, Lock Haven, Penna.

PIPER PARTS CATALOG

Figure and Index Number	Part Number	Code	NOMENCLATURE	No. Req.	SERIAL NUMBERS AFFECTED
77-1	96240-00		LIGHT ASSEMBLY - Landing	1	
-2	472 661	W	* LIGHT - Landing (4509-100W, 12 V)	2	
-3	43020-00	W	* BRACKET - Landing light assembly	1	
-4	96241-00		* PLATE ASSEMBLY - Landing light	1	
-5	43022-00	W	* PLATE ASSEMBLY - Landing light face	1	
-6	415 628	W	* SCREW - (MS35206-328)	6	
-7	451 494	W	* SCREW - (MS35206-229)	4	
	407 562	W	* WASHER - (AN960-6)	8	
	404 829	W	* NUT - (MS20364-632C)	4	
-8	554 769		CLAMP - (GS-52SS)	2	

When ordering, always specify Part Number, Description and Serial Number of Aircraft

PIPER PARTS CATALOG

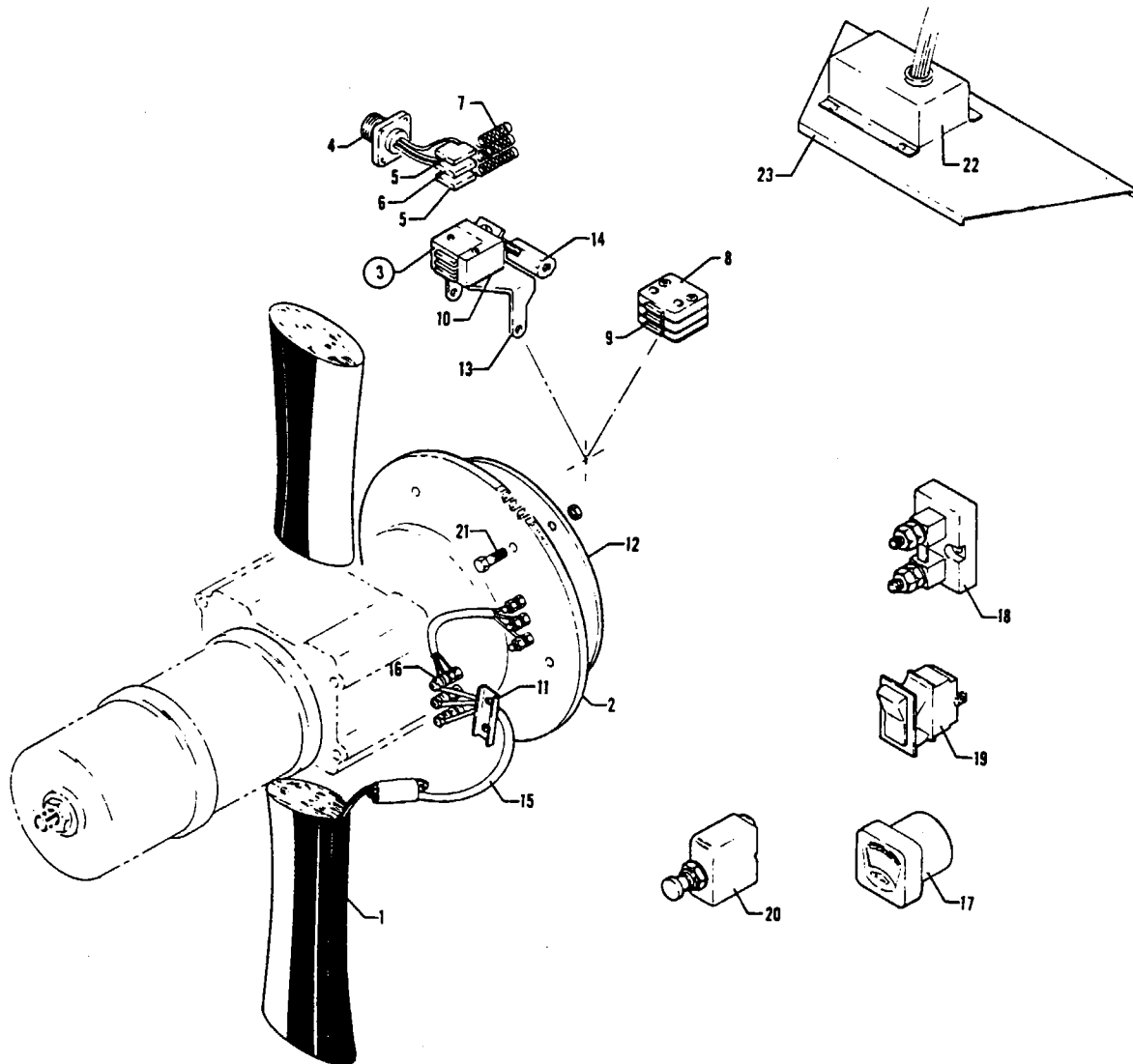


Figure 78. Two Blade Propeller Electric Deicer Installation

REVISED: SEPTEMBER 1978

2E17

PA-34-200T

PIPER PARTS CATALOG

CODE EXPLANATIONS FOR FIGURE 78

- A - It is recommended new springs, item 7, be installed when replacing brushes.
- B - Brush Block Assembly no longer available. Order Brush Block Assembly Replacement Kit 763 854.
- C - Also used on aircraft with earlier serial nos. if original brush block assembly has been replaced with a modular brush assembly.
- W - These parts must be ordered from Service Spares Department, Piper Aircraft, Lock Haven, Penna.

PIPER PARTS CATALOG

Figure and Index Number	Part Number	Code	NOMENCLATURE	No. Req.	SERIAL NUMBERS AFFECTED
78-	37700		DRAWING - Ice Protection System Installation		
-1	553 216		BOOT - Propeller deicer, left (4E1895-7)	2	
	553 215		BOOT - Propeller deicer, right (4E1214-7)	2	
-2	484 853		SLIP RING ASSEMBLY - (4E1923-3)	2	
-3	452 948	B	BRUSH BLOCK ASSEMBLY - (4E1387-5)	2	34-7570001 to 34-7870094 incl
-4	756 086	W	* RETAINER ASSEMBLY - Brush (3E1483)	1	
-5	758 175	A.W	* * BRUSH - (3E1443-1)	2	
-6	758 170	A.W	* * BRUSH - (3E1443-2)	1	
-7	757 626	W	* * SPRING - (1E1136)	3	
-8	763 854	W	KIT - Brush block assembly replacement	2	34-7570001 to 34-7870094 incl
	758 431	C.W	MODULAR BRUSH ASSEMBLY (3E2042-1)	2	34-7870095 and up
-9	758 434	W	* BRUSH MODULE ASSEMBLY - (3E2011-1)	1	
	758 435	W	* BRUSH MODULE ASSEMBLY - (3E2011-2)	1	
	758 436	W	* BRUSH MODULE ASSEMBLY - (3E2011-3)	1	
-10	486 557		SHIM - (1E1157)	2	
-11	554 637		CLIP - Lead (3E1271-2)	4	
-12	582 448		PLATE - Mounting, split (4E2058)	4	
-13	453 452		BRACKET - Brush block mounting (4E2032)	2	
-14	587 702		ARM ASSEMBLY - Support (3E1935)	2	
-15	464 097		HARNESS - Deicer (4E1967-1)	4	
-16	453 996		BUSHING - (2E1260)	24	
-17	548 084		AMMETER - (3E1389-8)	1	
-18	486 636		SHUNT - Ammeter (MS91586-1)	1	
-19	32370-11	W	SWITCH - Prop deicer	1	34-7570001 to 34-7770229 incl
	99377-34		SWITCH - Prop deicer	1	34-7770230 and up
-20	454 718		CIRCUIT BREAKER - (41-2-S14-LN2) 25 amp	1	
-21	758 559		BOLT - (1/4-28UNF-3)	12	
	756 664		WASHER - (4-M-52)	12	
	404 561		NUT - (MS21045-4)	12	
-22	761 990	W	TIMER - Propeller deicer (3E1150-10)	1	
-23	37710-00		BRACKET - Timer mounting	1	

When ordering, always specify Part Number, Description and Serial Number of Aircraft

PIPER PARTS CATALOG

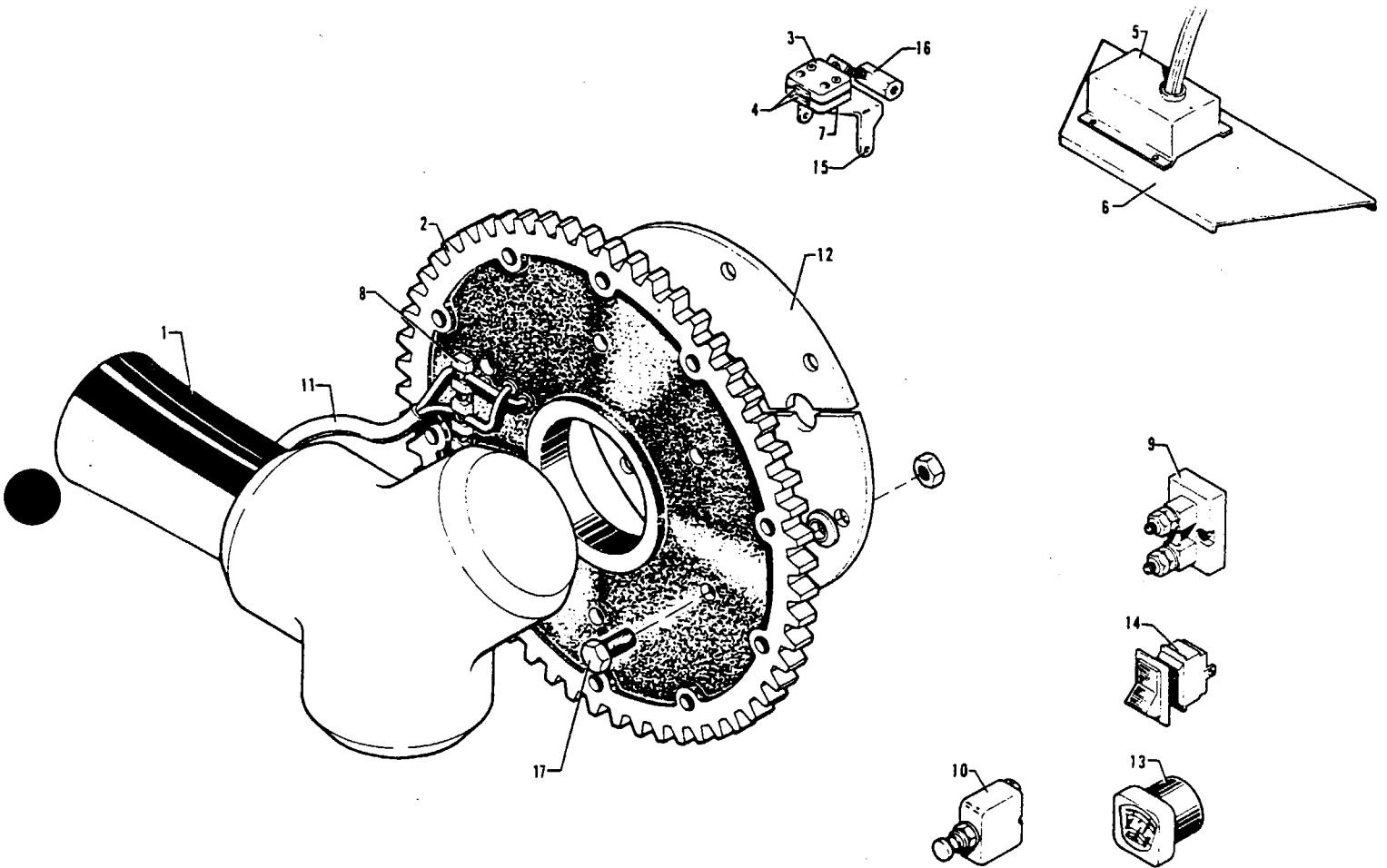


Figure 78A. Three Blade Propeller Electric Deicer Installation
(Serial Nos. 34-7970001 and up)

REVISED: SEPTEMBER 1978

2E20

PA-34-200T

PIPER PARTS CATALOG

CODE EXPLANATIONS FOR FIGURE 78A

PIPER PARTS CATALOG

Figure and Index Number	Part Number	Code	NOMENCLATURE	No. Req.	SERIAL NUMBERS AFFECTED
78A-	37700		DRAWING - Ice Protection System Installation		
-1	758 463		BOOT - Propeller deicer, left (4E2303-10)	3	
	758 464		BOOT - Propeller deicer, right (4E2292-10)	3	
-2	762 376		SLIP RING ASSEMBLY - (4E2362)	2	
-3	758 462		MODULAR BRUSH ASSEMBLY - (3E2062-2)	2	
-4	758 435		* BRUSH MODULE ASSEMBLY - (3E2011-2)	1	
	758 436		* BRUSH MODULE ASSEMBLY - (3E2011-3)	1	
-5	762 006		TIMER - Propeller deicer (3E1964-3)	1	
-6	37710-00		BRACKET - Timer mounting	1	
-7	486 557		SHIM - (1E1157)	2	
-8	762 375		STRIP - Terminal (1E1150-3)	6	
-9	486 624		SHUNT - Ammeter (MS91586-2)	1	
-10	454 724		CIRCUIT BREAKER - (PS50120-5-2) 35 amp	1	
-11	755 302		HARNESS - Deicer (3E2092-5)	6	
-12	582 448		PLATE - Mounting, split (4E2058)	4	
-13	763 025		AMMETER - (3E1389-7)	1	
-14	99377-34		SWITCH - Prop deice	1	
-15	453 452		MOUNTING BRACKET - Brush (4E2032)	2	
-16	587 702		ARM ASSEMBLY - Support (3E1935)	2	
-17	758 559		BOLT - (1/4-28UNF-3)	12	
	756 664		WASHER - (4-M-52)	12	
	404 561		NUT - (MS21045-4)	12	

When ordering, always specify Part Number, Description and Serial Number of Aircraft

2E23 THRU 2E24
INTENTIONALLY LEFT BLANK

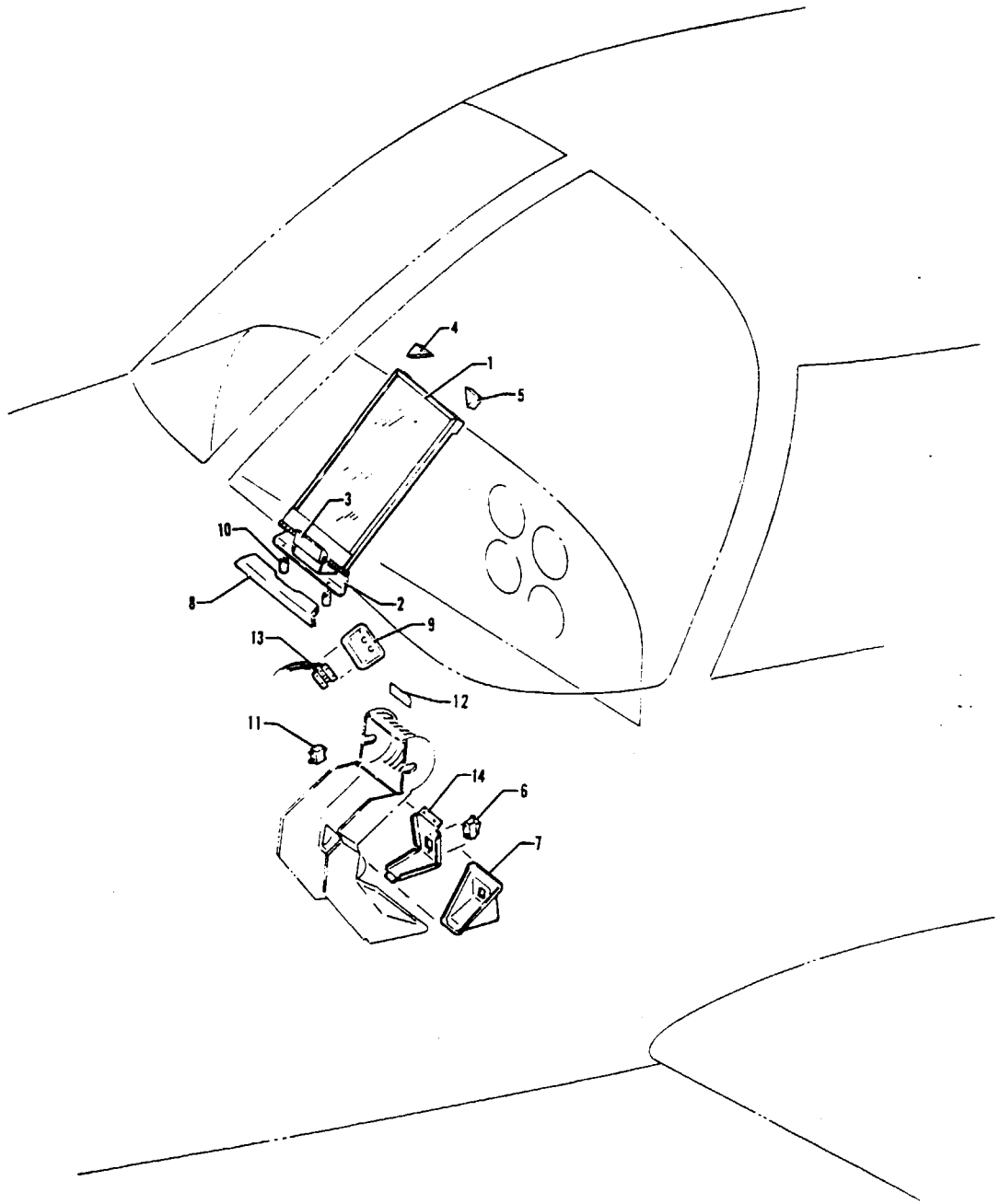


Figure 79. Heated Glass Panel Installation

PIPER PARTS CATALOG

CODE EXPLANATIONS FOR FIGURE 79

A - When ordering, specify color red, blue/green, tan, black or avocado.

W - These parts must be ordered from Service Spares Department, Piper Aircraft, Lock Haven, Penna.

PIPER PARTS CATALOG

Figure and Index Number	Part Number	Code	NOMENCLATURE	No. Req.	SERIAL NUMBERS AFFECTED
79-	37700		DRAWING - Ice Protection System Installation		
-1	78148-00		PANEL ASSEMBLY - Heated glass, complete	1	
-2	31997-00	W	* PLATE ASSEMBLY - Heated glass panel hinge	1	
-3	33034-00	W	* BLOCK - Rubber	1	
-4	31637-02	W	* PLATE - Heated glass panel	1	
-5	31637-03	W	* PLATE - Heated glass panel	1	
-6	454 640		SWITCH - Circuit breaker (PS50120-4-60)	1	34-7570001 to 34-7570162 incl
-7	37702-00	A	COVER ASSEMBLY - Switch bracket	1	34-7570001 to 34-7570162 incl
-8	78180-02		SKIRT - Glass panel, hinge	1	
-9	87429-02	W	PLATE ASSEMBLY - Heated glass receptacle	1	
-10	63900-163		BUSHING	2	
-11	454 640		SWITCH - Circuit breaker (PS50120-4-60)	1	34-7570163 and up
-12	69669-69		PLACARD - Windshield panel heat	1	34-7570001 to 34-7670393 incl
	69669-153		PLACARD - Windshield panel heat	1	34-7770001 and up
-13	78150-00		RECEPTACLE ASSEMBLY - Windshield panel	1	
-14	37703-00		BRACKET - Switch	1	34-7570001 to 34-7570162 incl

When ordering, always specify Part Number, Description and Serial Number of Aircraft

PIPER PARTS CATALOG

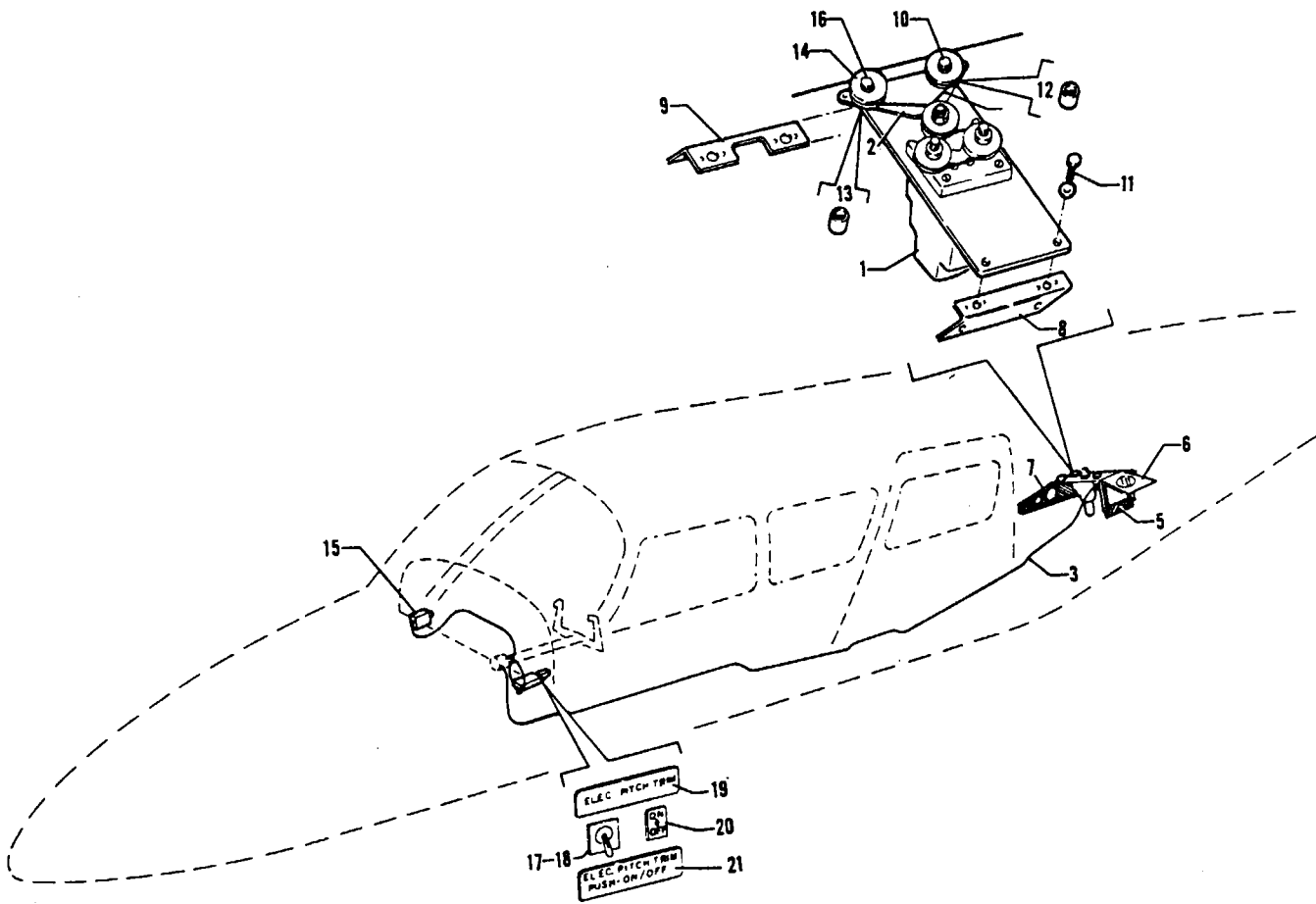


Figure 80 Electric Pitch Trim Installation

REVISED MAY 1983

PA-34-200T

2F4

Island Enterprises

PIPER PARTS CATALOG

CODE EXPLANATIONS FOR FIGURE 80

- A - Used if Pitch Trim Switch Replacement Kit 764 401 has been installed
- B - Used if a push on-off pitch trim switch is installed
- W - These parts must be ordered from Service Spares Department, Piper Aircraft, Lock Haven, Penna

PIPER PARTS CATALOG

Figure and Index Number	Part Number	Code	NOMENCLATURE	No. Req.	SERIAL NUMBERS AFFECTED
80-	95242		DRAWING - Electric Pitch Trim Installation		
-1	596 206		SERVO ASSEMBLY - Electric pitch trim (1C345-4-321)	1	
-2	751 906		* GUARD - Cable (7A546)	1	
-3	596 207		CABLE - Electric pitch trim (30B273)	1	
-4	62701-97		CABLE ASSEMBLY - Control, stabilator trim, forward	1	
-5	96612-00		BRACKET - Electric pitch trim	1	
-6	96613-00		BRACKET ASSEMBLY - Electric pitch trim	1	
-7	96978-00		BRACKET ASSEMBLY - Electric pitch trim	1	
-8	96615-00		ANGLE ASSEMBLY - Electric pitch trim	1	
-9	96616-00		ANGLE ASSEMBLY - Electric pitch trim	1	
-10	400 444	W	BOLT - (AN3-13A)	1	
-11	401 266	W	BOLT - (AN3-5A)	2	
	407 564	W	WASHER - (AN960-10)	2	
-12	63900-66		BUSHING - Electric pitch trim	1	
-13	61402-71		BUSHING - Electric pitch trim	1	
-14	481 640		PULLEY - (MS24566-1B)	2	
-15	454 706		CIRCUIT PROTECTOR - (1600-041-00508)	1	
-16	401 269	W	BOLT - (AN3-10A)	1	
-17	764 401		PITCH TRIM SWITCH REPLACEMENT KIT	1	
-18	587 923	A	* SWITCH - Electric trim (PS10095-1)	1	
-19	87369-38	A	* PLACARD - Electric pitch trim	1	
-20	87369-39	A	* PLACARD - On-off	1	
-21	67490-02	B	PLACARD - Electric pitch trim	1	

When ordering, always specify Part Number, Description and Serial Number of Aircraft

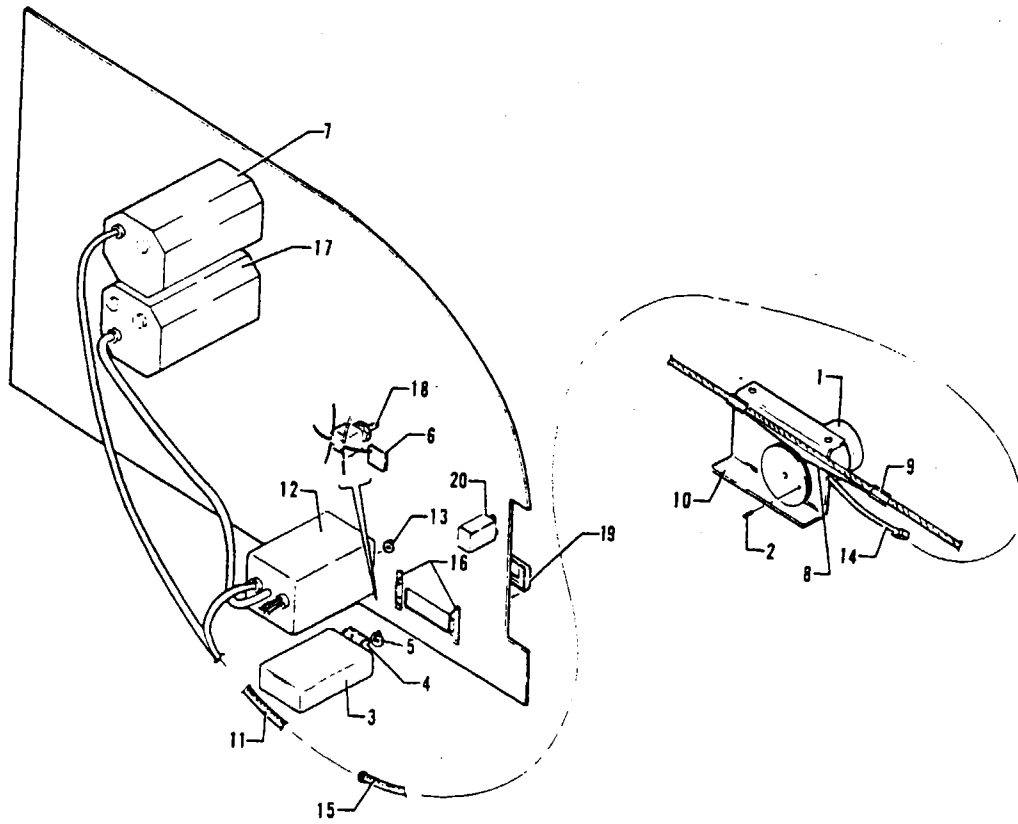


Figure 81 AutoControl III B Installation

REVISED: AUGUST 1975

2F7

PA-34-200T

PIPER PARTS CATALOG

CODE EXPLANATIONS FOR FIGURE 81

- A - Used when dual omni is installed.
- B - Used on aircraft with serial numbers 34-7670001 and up if NSD-360 Navigation Situation Display Indicator is installed.
- C - When ordering specify color "bark II" or black.
- W - These parts must be ordered from Service Spares Department, Piper Aircraft, Lock Haven, Penna.

PIPER PARTS CATALOG

Figure and Index Number	Part Number	Code	NOMENCLATURE	No. Req.	SERIAL NUMBERS AFFECTED
81-	95248		DRAWING - AutoControl III B Installation		
-1	762 223		SERVO ASSEMBLY - Roll (1C363-1-487R)	1	
-2	757 579	W	* SET SCREW - Capstan (3S326)	1	
-3	763 307		CONSOLE AMPLIFIER ASSEMBLY - AutoControl III B (1C338-3)	1	
-4	758 024	W	* CIRCUIT BOARD - Face plate light (includes 4 bulbs) (1B686)	1	
-5	757 052	W	* KNOB - (36A98)	1	
-6	96734-00	A	PLACARD - Omni coupler switch	1	34-7570001 to 34-7970119 incl
	35669-126	A	PLACARD - Omni coupler switch	1	34-7970120 and up
-7	550 557	W	INSTRUMENT - Gyro horizon (32172-02)(3 inch)	1	
-8	753 980		CABLE ASSEMBLY - Bridle (30B200)	1	
-9	757 863	W	CLAMP ASSEMBLY - Bridle cable (42A173-1)	2	
-10	758 326		BRACKET - Servo mounting (7D511-4)	1	
-11	751 987	W	HARNESS ASSEMBLY - Amplifier (30C198)	1	
-12	551 114	W	COUPLER ASSEMBLY - Omni (25690)	1	
	25690-02	B,W	COUPLER ASSEMBLY - Omni	1	
-13	757 052	W	* KNOB - (36A98)	1	
-14	758 001		CABLE ASSEMBLY - Roll servo (30C211-8R)	1	
-15	758 002	W	CABLE ASSEMBLY - Roll servo extension (30C211-156R)	1	
-16	67494-00		ANGLE - Console mounting, left	1	
	67494-01		ANGLE - Console mounting, right	1	
-17	550 778	W	INSTRUMENT - Directional gyro (32168-00) (3 inch)	1	
-18	688 164	A	SWITCH - Coupler (MTG-206P)	1	
-19	79560-00	C	COVER - AutoControl	1	
-20	754 836		FILTER - Roll signal (1B440-2)	1	

When ordering, always specify Part Number, Description and Serial Number of Aircraft

PIPER PARTS CATALOG

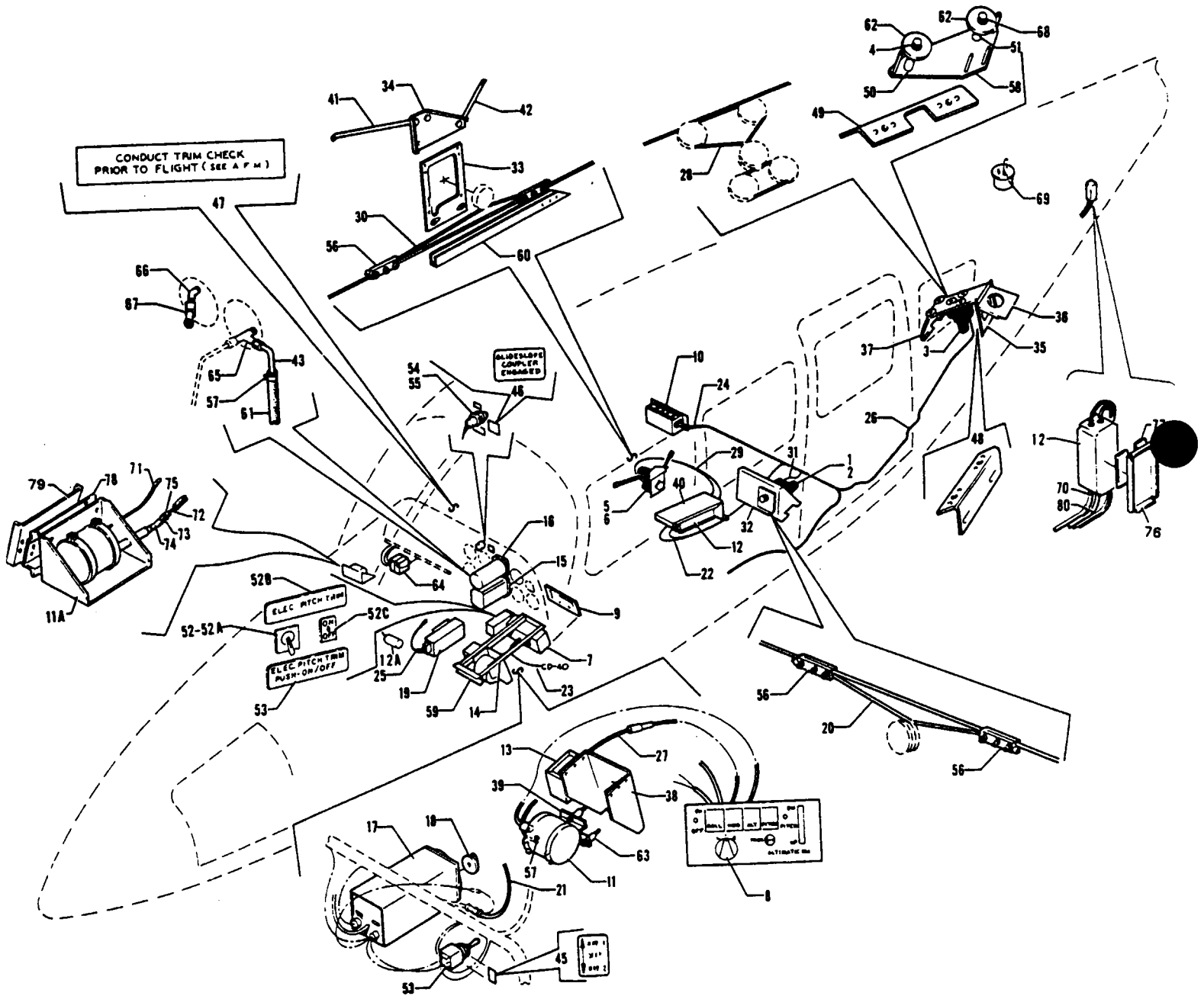


Figure 81A Altimate III C Installation

REVISED MAY 1983

PA-34-200

2F10

PIPER PARTS CATALOG

CODE EXPLANATIONS FOR FIGURE 81A

- A - Used when Dual Omni Coupler is installed
- B - Used when Glide Slope Coupler is installed
- C - Used on aircraft with serial numbers 34-7670001 and up if NSD-360 Navigation Situation Display Indicator is installed
- D - Used if slaved NSD-360 Navigation Situation Display Indicator is installed
- E - Used on serial numbers 34-7570001 to 34-7770185 inclusive, 34-7770187 to 34-7770263 inclusive
- F - Order part no listed for serial nos 34-8070021 and up if AltiMatic IIC Stabilator Trim Servo Modification Kit 763 971 has been installed per Service Bulletin 669
- G - Used if Pitch Trim Switch Replacement Kit 764 401 has been installed
- H - Used if push on-off pitch trim switch is installed
- W - These parts must be ordered from Service Spares Department, Piper Aircraft, Lock Haven, Penna

PIPER PARTS CATALOG

Figure and Index Number	Part Number	Code	NOMENCLATURE	No. Req.	SERIAL NUMBERS AFFECTED
81A-	37725		DRAWING - AltiMatic III C Installation		
-1	762 223		SERVO ASSEMBLY - Roll (1C363-1-487R)	1	
-2	757 579	W	* SET SCREW - Capstan (3S326)	1	
-3	762 224		SERVO ASSEMBLY - Trim (1C373-6-487)	1	
-4	400 443	W	BOLT - Electric pitch trim pulley (AN3-12A)	1	
-5	762 225		SERVO ASSEMBLY - Pitch (1C508-1-487P)	1	
-6	757 579	W	* SET SCREW - Capstan (3S326)	1	
-7	758 026	W	CONSOLE - AltiMatic III C (1D720)	1	
-8	760 899	W	* KNOB - Roll (36B141)	1	
-9	757 456	W	* PLATE - Face (13C767)(with six bulbs)	1	
-10	751 341		AMPLIFIER - (1C515-3)	1	
-11	751 287	E,W	ALTITUDE HOLD - (1C407)	1	
-11a	751 347		ALTITUDE HOLD ASSEMBLY - (1C725)(includes 1C535-1 controller, mounting brackets and shock mounts)	1	34-7770186, 34-7770264 and up
-12	751 342		AMPLIFIER - Trim (1C709-5)	1	
-12a	751 336	D,W	AMPLIFIER - Gyro slaving (1C714)	1	34-7670001 and up
-13	758 181		BOX - Relay (1A526)	1	
-14	96542-03	E	HANGER ASSEMBLY - Autopilot	1	
-15	550 778	W	INSTRUMENT - Directional gyro (32168-00)	1	
	755 472		INSTRUMENT - Horizontal situation indicator, unslaved (NSD-360-(11)/52D136-1120)	1	34-7670001 to 34-7770441 incl.
	755 473		INSTRUMENT - Horizontal situation indicator, slaved (NSD-360-(24)/52D137-1120)	1	34-7670001 to 34-7770441 incl.
	596 755	W	INSTRUMENT - Horizontal situation indicator, unslaved (NSD-360-A/52D136-1333)	1	34-7870001 and up
	596 756	W	INSTRUMENT - Horizontal situation indicator, slaved (NSD-360-A/52D137-1333)	1	34-7870001 and up
-16	550 560	W	INSTRUMENT - Altitude gyro (32173-03)	1	
-17	551 114	W	COUPLER ASSEMBLY - Omni (25690-00)	1	
	25690-02	C,W	COUPLER ASSEMBLY - Omni	1	
-18	757 052	W	* KNOB - (36A98)	1	
-19	751 300	W	COUPLER ASSEMBLY - Glide slope (1C493)	1	
-20	753 980		CABLE ASSEMBLY - Bridle (30B200)	1	
-21	596 236	B	CABLE ASSEMBLY - (30B295-1)	1	
-22	757 957	E	CABLE ASSEMBLY - (30B174-2)	1	
-23	757 954	E	CABLE ASSEMBLY - (30B156-2)	1	
	763 221		CABLE ASSEMBLY - (30C156-2)	1	34-7770186, 34-7770264 and up
-24	757 955	E	CABLE ASSEMBLY - (30D207-14)	1	
	763 225		CABLE ASSEMBLY - (30D207-31)	1	34-7770186, 34-7770264 and up
-25	596 235	B	CABLE ASSEMBLY - (30C291-1)	1	
-26	758 051	E	CABLE ASSEMBLY - (30C481-16)	1	
-27	758 052		CABLE ASSEMBLY - (30B340-3)	1	
-28	62701-97		CABLE ASSEMBLY - Control, stabilator trim, forward	1	
-29	758 053	E	CABLE ASSEMBLY - (30C481-15)	1	
	763 224		CABLE ASSEMBLY - (30C481-28)	1	34-7770186, 34-7770264 and up
-30	758 054		CABLE ASSEMBLY - Bridle (30B493)	1	
-31	758 001	E	CABLE ASSEMBLY - Extension (30C211-8R)	1	
	757 878		CABLE ASSEMBLY - Extension (30A211-8R)	1	34-7770186, 34-7770264 and up
-32	758 326		BRACKET - Roll servo mounting (7D511-4)	1	
-33	68149-00		BRACKET ASSEMBLY - Pitch servo mounting	1	
-34	69163-00		BRACKET - Pitch servo support	1	
-35	96612-00		BRACKET - Electric pitch trim	1	

When ordering, always specify Part Number, Description and Serial Number of Aircraft

PIPER PARTS CATALOG

Figure and Index Number	Part Number	Code	NOMENCLATURE	No. Req.	SERIAL NUMBERS AFFECTED
81A-36	96613-00		BRACKET - Electric pitch trim	1	
-37	96978-00		BRACKET - Electric pitch trim	1	
-38	758 327	E	BRACKET - Altitude hold (7C1495)	1	
-39	758 328	E	BRACKET - Altitude hold (7B644)	1	
-40	758 329	E	BRACKET - Pitch trim amplifier (7C1516)	1	
-41	69161-00		TUBE - Pitch servo support	1	
-42	69162-00		TUBE - Pitch servo support	1	
-43	63211-00	E	TUBE ASSEMBLY - Static	1	
-44	688 164	A	SWITCH - Omni coupler (MTG-206P)	1	
-45	96734-00	A	PLACARD - Omni coupler switch	1	34-7570001 to 34-7970119 incl
	35669-126	A	PLACARD - Omni coupler switch	1	34-7970120 and up
-46	69669-40	B	PLACARD - Glide slope coupler	1	
-47	757 459		PLACARD - Conduct trim check, see A F M (13A660)	1	
	763 418		PLACARD - Conduct trim check, see P O.H (13A660-1)	1	
-48	96615-00		ANGLE ASSEMBLY - Electric pitch trim	1	
-49	96616-00		ANGLE ASSEMBLY - Electric pitch trim	1	
-50	63900-66	F	BUSHING - Electric pitch trim	1	34-7570001 to 34-8070020 incl
	95061-115		BUSHING - Electric pitch trim	1	34-8070021 and up
-51	61402-71	F	BUSHING - Electric pitch trim	1	34-7570001 to 34-8070020 incl
	95061-118		BUSHING - Electric pitch trim	1	34-8070021 and up
-52	764 401		PITCH TRIM SWITCH REPLACEMENT KIT	1	
-52a	587 923	G	* SWITCH - Pitch trim (PS10095-1)	1	
-52b	87369-38	G	* PLACARD - Electric pitch trim	1	
-52c	87369-39	G	* PLACARD - On-off	1	
-53	67490-02	H	PLACARD - Electric pitch trim	1	
-54	596 244	B	LIGHT ASSEMBLY - (30B412-1)	1	
-55	761 173	B	* LAMP - (65S16)	1	
-56	757 863	W	CLAMP ASSEMBLY - Bridle cable (42A173-1)	4	
-57	554 861	W	CLAMP - (SAE TY F-4)	2	
-58	751 906		GUARD - Cable (7A546)	1	
-59	96540-00	E	CHANNEL - Hanger	1	
-60	68146-00		CHANNEL ASSEMBLY - Pitch servo support	1	
-61	63913-36		HOSE	1	
-62	481 641		PULLEY - (MS24566-1B)	2	
-63	761 505	E	MOUNT - Shock, altitude hold (75S1)	3	
-64	454 714		CIRCUIT BREAKER - (41-2-S14-LN2) 5 amp	2	
-65	488 310	E.W	TEE - (MS20826-3D)	1	
-66	458 840	E	ELBOW - (AN915-2D)	1	
-67	460 836	E	FITTING - (1K31-4-6-4)	1	
-68	400 452	W	BOLT - Electric pitch trim pulley (AN3-11A)	1	
-69	754 838	D.W	FLUX DETECTOR - Magnetic (1B495)	1	34-7670001 and up
-70	763 222		CABLE ASSEMBLY - To console (30C174-11)	1	34-7770186, 34-7770264 and up
-71	763 220		CABLE ASSEMBLY - Altitude hold to console (30A246-24)	1	34-7770186, 34-7770264 and up
-72	79636-04		TUBE	1	34-7770186, 34-7770264 and up
-73	477 611		NUT - Coupling (AN818-3D)	1	34-7770186, 34-7770264 and up
-74	458 893	W	ELBOW - (AN822-3D)	1	34-7770186, 34-7770264 and up
-75	486 896		SLEEVE - (MS20819-3D)	1	34-7770186, 34-7770264 and up
-76	758 404		BRACKET - Pitch trim servo (7C1786)	1	34-7770186, 34-7770264 and up
-77	758 354		BRACKET - Pitch trim servo mounting (7A1445)	2	34-7770186, 34-7770264 and up
-78	758 405		BRACKET - Altitude hold (7B1774-1)	1	34-7770186, 34-7770264 and up
-79	758 406		BRACKET - Altitude hold (7B1821)	1	34-7770186, 34-7770264 and up
-80	763 223		CABLE ASSEMBLY - To pitch trim servo (30C481-27)	1	34-7770186, 34-7770264 and up

When ordering, always specify Part Number, Description and Serial Number of Aircraft

PIPER PARTS CATALOG

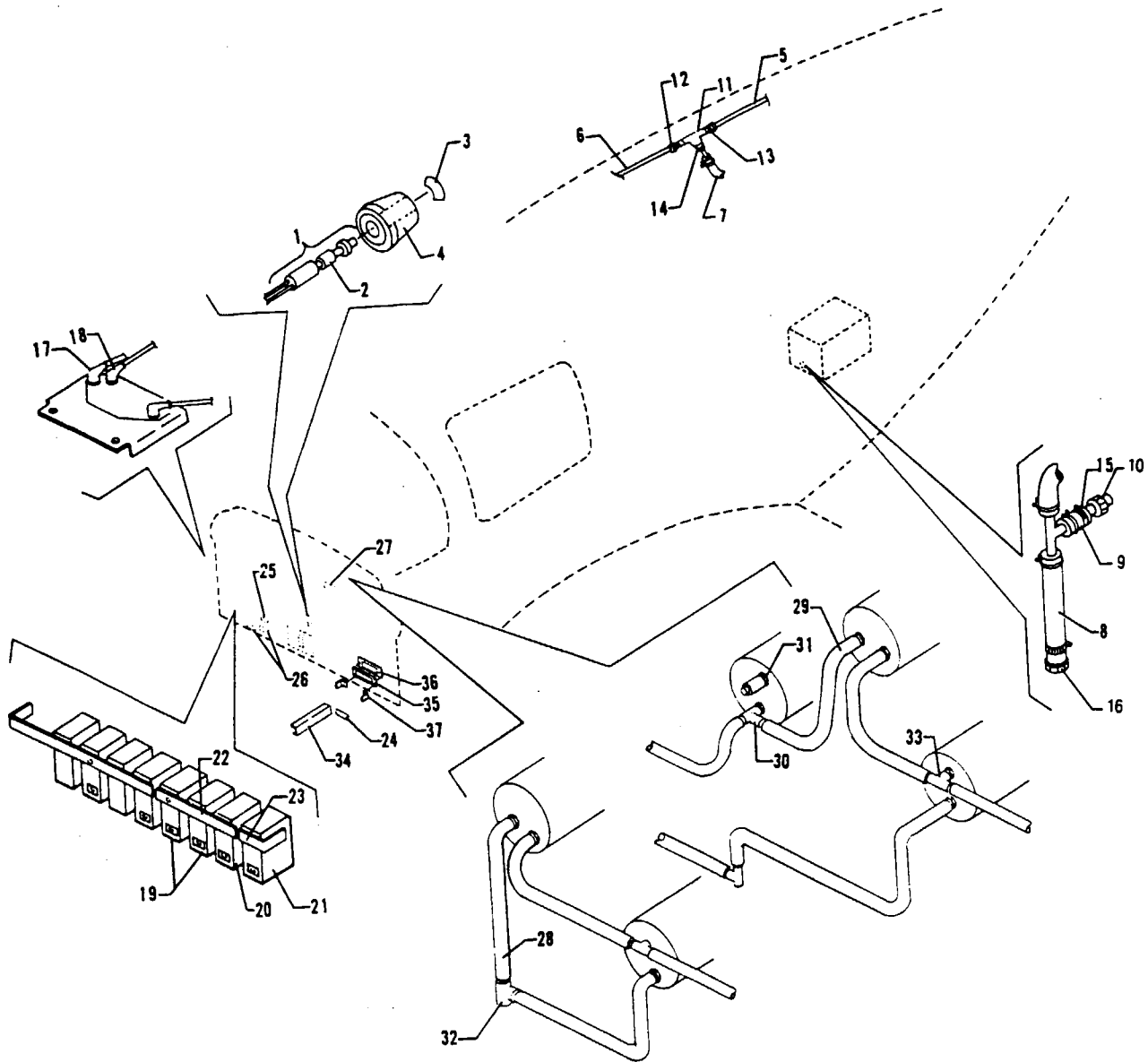


Figure 81B King KFC-200 AutoPilot/Flight Director Installation
(Serial Nos 34-7970001 and up)

PIPER PARTS CATALOG

CODE EXPLANATIONS FOR FIGURE 81B

- A - This installation is relative only to associated Piper Aircraft Corporation parts that are used when installing King KFC-200 AutoPilot/Flight Director. All King equipment and components must be procured from King Radio Corporation, 400 N Rogers Road, Olathe, Kansas 66061
- B - Used if Bendix Dual Nav/Com Radio is installed
- C - Used if single instrument panel is installed
- D - Used if dual instrument panel is installed and ice protection system is not installed
- W - These parts must be ordered from Service Spares Department, Piper Aircraft, Lock Haven, Penna

PIPER PARTS CATALOG

Figure and Index Number	Part Number	Code	NOMENCLATURE	No. Req.	SERIAL NUMBERS AFFECTED
81B-	36840		DRAWING - King KFC-200 AutoPilot/Flight Director Installation		
-1	78233-04		SWITCH ASSEMBLY - Go-around	1	
-2	487 904		* SWITCH - (39-1)	1	
-3	78237-00		* PLACARD - Go-around	1	
-4	78234-00		* KNOB - Throttle	1	
-5	95153-20		TUBE ASSEMBLY - Pitot line	1	
-6	37343-64		TUBE ASSEMBLY - Static line	1	
-7	63913-49		HOSE - Flexible	1	
-8	63913-191		HOSE - Flexible	1	
-9	63913-12		HOSE - Flexible	1	
-10	67700-393		TUBE ASSEMBLY	1	
-11	488 474	W	TEE - (AN917-1D)	1	
-12	477 611	W	COUPLING - (AN818-3D)	2	
-13	476 647	W	NIPPLE - (AN816-3D)	1	
-14	451 857	W	UNION - (AN840-4D)	1	
-15	554 888		CLAMP - (SAE TY F-6)	1	
-16	401 310	W	BOLT - (AN4-10A)	1	
-17	23969-02	W	NIPPLE - Electrical	1	
-18	23969-03	W	NIPPLE - Electrical	2	
-19	454 714		CIRCUIT BREAKER - (PS50120-2-1) 5 amp	2	
-20	454 715		CIRCUIT BREAKER - (PS50120-2-3) 10 amp	1	
-21	453 475		CIRCUIT BREAKER - (PS50120-2-7) 1 amp	1	
-22	37206-02		BUS BAR - Strip	1	
-23	37206-03		BUS BAR - Strip	1	
-24	35207-00		BUS BAR - Strip	1	
-25	35669-99		PLACARD - Circuit breaker	1	
-26	35669-109		PLACARD - Circuit breaker	1	
	35669-167	B	PLACARD - Circuit breaker	1	
-27	35669-175		PLACARD - AutoPilot inoperative	1	
-28	63913-87	C	HOSE - Flexible	1	
-29	63913-88	D	HOSE - Flexible	1	
-30	560 835	D,W	FITTING - (1K31-4-6-4)	1	
-31	451 939	D,W	FITTING - (1K10-4-6)	1	
-32	560 877		FITTING - (1K40-6-6-4)	1	
-33	560 878		FITTING - (1K72-4-6-4)	1	
-34	79205-00		COVER - Terminal strip	1	
-35	39709-02		PLATE - Trim	1	
-36	39710-02		PANEL - Trim	1	
-37	79666-02		BRACKET ASSEMBLY - Trim	2	

When ordering, always specify Part Number, Description and Serial Number of Aircraft

PIPER PARTS CATALOG

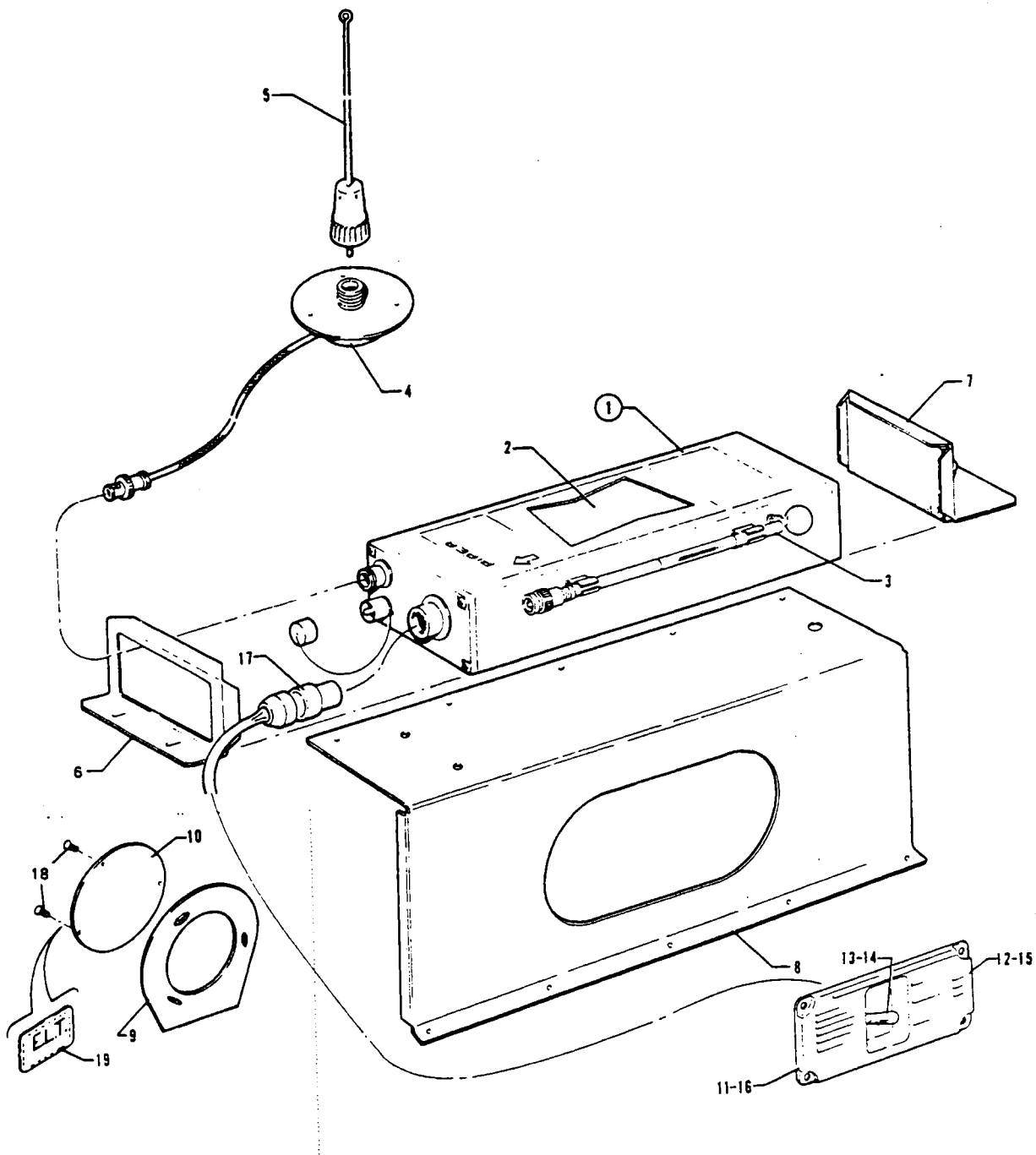


Figure 82 Piper Automatic Locator (ELT) Installation (Garrett Mfg Ltd)

REVISED: APRIL 1981

PA-34-200T

2F17

Island Enterprises

PIPER PARTS CATALOG

CODE EXPLANATIONS FOR FIGURE 82

- A - When ordering, specify color red, blue/green, tan, black or avocado.
- B - Used with Transmitter Assembly 761 939 (Model 627674-1).
- C - Used with Transmitter Assembly 761 967 (Model 627810-1).
- D - No longer available. Order ELT Replacement Kit 763 842V (Garrett ELT to Narco ELT 10) as a replacement. Refer to Service Letter 820
- W - These parts must be ordered from Service Spares Department, Piper Aircraft, Lock Haven, Penna.

PIPER PARTS CATALOG

Figure and Index Number	Part Number	Code	NOMENCLATURE	No. Req.	SERIAL NUMBERS AFFECTED
82-	99890		DRAWING - Piper Automatic Locator (ELT) Installation		
-1	761 939	W,D	TRANSMITTER ASSEMBLY - Automatic locator (627674-1) (includes magnesium battery pack)	1	
	761 967	W,D	TRANSMITTER ASSEMBLY - Automatic locator (627810-1) (includes lithium battery pack)	1	
-2	758 281	B,W	* BATTERY PACK - Transmitter assembly (magnesium)	1	
	758 364	C,W,D	* BATTERY PACK - Transmitter assembly (lithium)	1	
-3	751 316	W	* ANTENNA ASSEMBLY - Telescopic	1	
-4	751 318	W	CABLE AND BASE ASSEMBLY - Whip antenna	1	
-5	751 319	W	ANTENNA ASSEMBLY - Whip (less cable and base)	1	
-6	758 266	W	BRACKET - Forward transmitter mounting	1	
-7	758 267	W	BRACKET ASSEMBLY - Aft transmitter mounting (includes lock knob)	1	
-8	99887-02	W	BRACKET ASSEMBLY - Emergency locator transmitter	1	
-9	99888-00	W	RING ASSEMBLY - Emergency locator transmitter	1	
-10	99889-00	W	COVER ASSEMBLY - Emergency locator transmitter	1	
-11	79033-00	A,B	SWITCH AND COVER ASSEMBLY - E. L. T.	1	
-12	69669-66	B	* PLACARD - Warning (E. L. T.)	1	
-13	587 952	B	* SWITCH - (SF1LBX183-7)	1	
-14	588 011	C	SWITCH - (8E1011)	1	
-15	69669-107	C	PLACARD - Warning	1	
-16	79463-00	A,C	COVER - E. L. T. switch	1	
-17	555 731	W	CONNECTOR - (612129-3)	1	
-18	486 281		SCREW - (PS10015-B8-12NA)	3	
-19	35669-105		PLACARD - E. L. T. location	1	

When ordering, always specify Part Number, Description and Serial Number of Aircraft

PIPER PARTS CATALOG

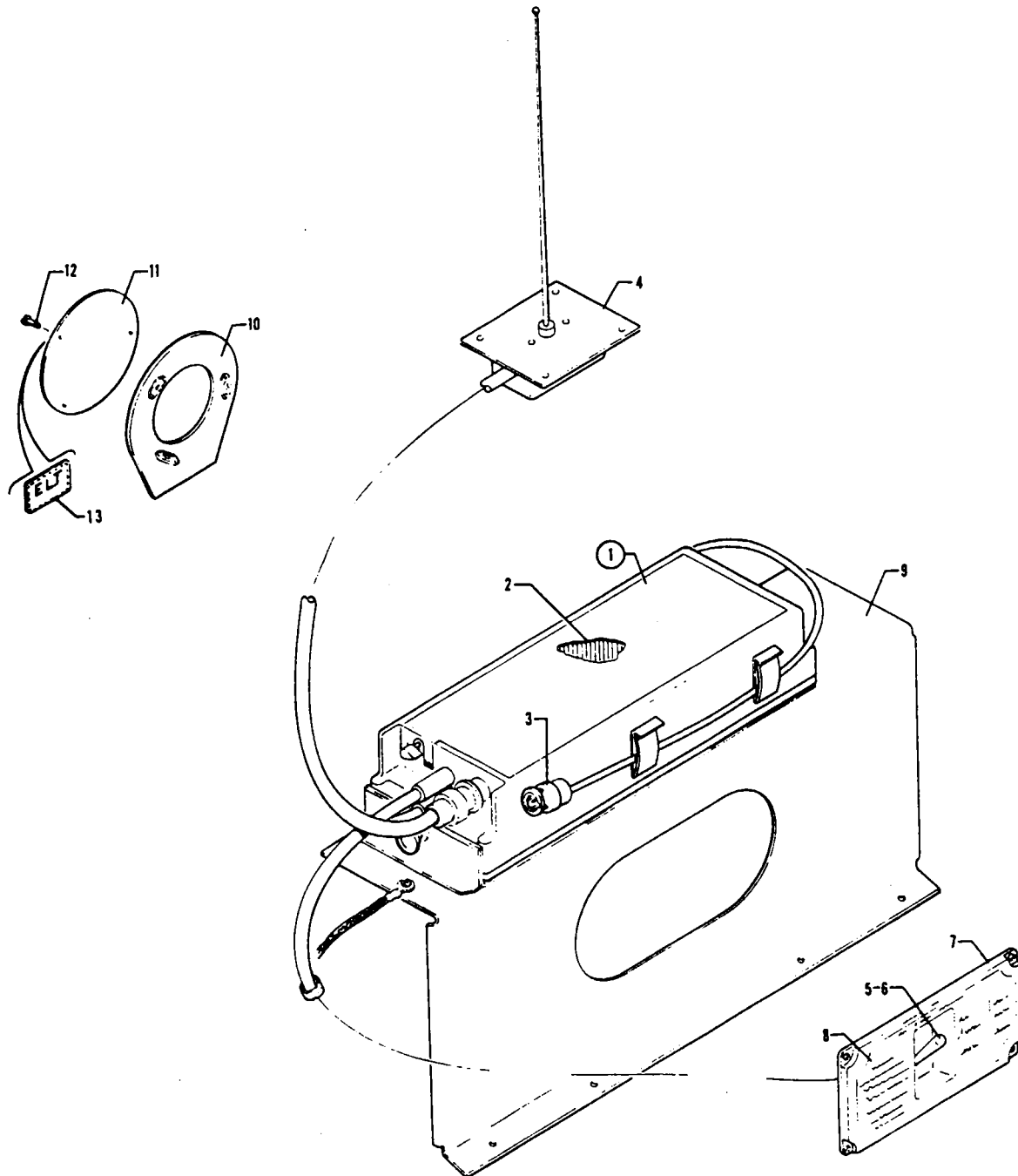


Figure 82A Piper Automatic Locator (ELT) Installation (Communications Components Corp)

REVISED APRIL 1981

2F20

PA-34-200T

PIPER PARTS CATALOG

CODE EXPLANATIONS FOR FIGURE 82A

A - When ordering specify color red, blue/green, gold, black, green or bark. Specify color "Bark I" for serial numbers 34-777001 to 34-7770164 inclusive. Specify color "Bark II" for serial numbers 34-7770165 and up.

PIPER PARTS CATALOG

Figure and Index Number	Part Number	Code	NOMENCLATURE	No. Req.	SERIAL NUMBERS AFFECTED
82A-	79761		DRAWING - Piper Automatic Locator (ELT) Installation		
-1	762 030		TRANSMITTER ASSEMBLY - Automatic locator (CIR-11-2) (includes alkaline battery pack)	1	
-2	758 528		* BATTERY PACK - Transmitter assembly (alkaline)	1	
-3	758 092		* ANTENNA ASSEMBLY - Portable (10-249)	1	
-4	763 004		ANTENNA ASSEMBLY - Whip (10-234)	1	
-5	79762-02		SWITCH AND HARNESS ASSEMBLY - ELT	1	
-6	588 030		* SWITCH - (8A2051)	1	
-7	79463-02	A	COVER - ELT switch	1	
-8	69669-66		PLACARD - Warning	1	
-9	99887-04		BRACKET ASSEMBLY - Emergency locator transmitter	1	
-10	99888-00		RING ASSEMBLY - Emergency locator transmitter	1	
-11	99889-00		COVER ASSEMBLY - Emergency locator transmitter	1	
-12	486 281		SCREW - (PS10015-B8-12NA)	3	
-13	35669-105		PLACARD - E. L. T. location	1	

When ordering, always specify Part Number, Description and Serial Number of Aircraft

2F23 THRU 2F24
INTENTIONALLY LEFT BLANK

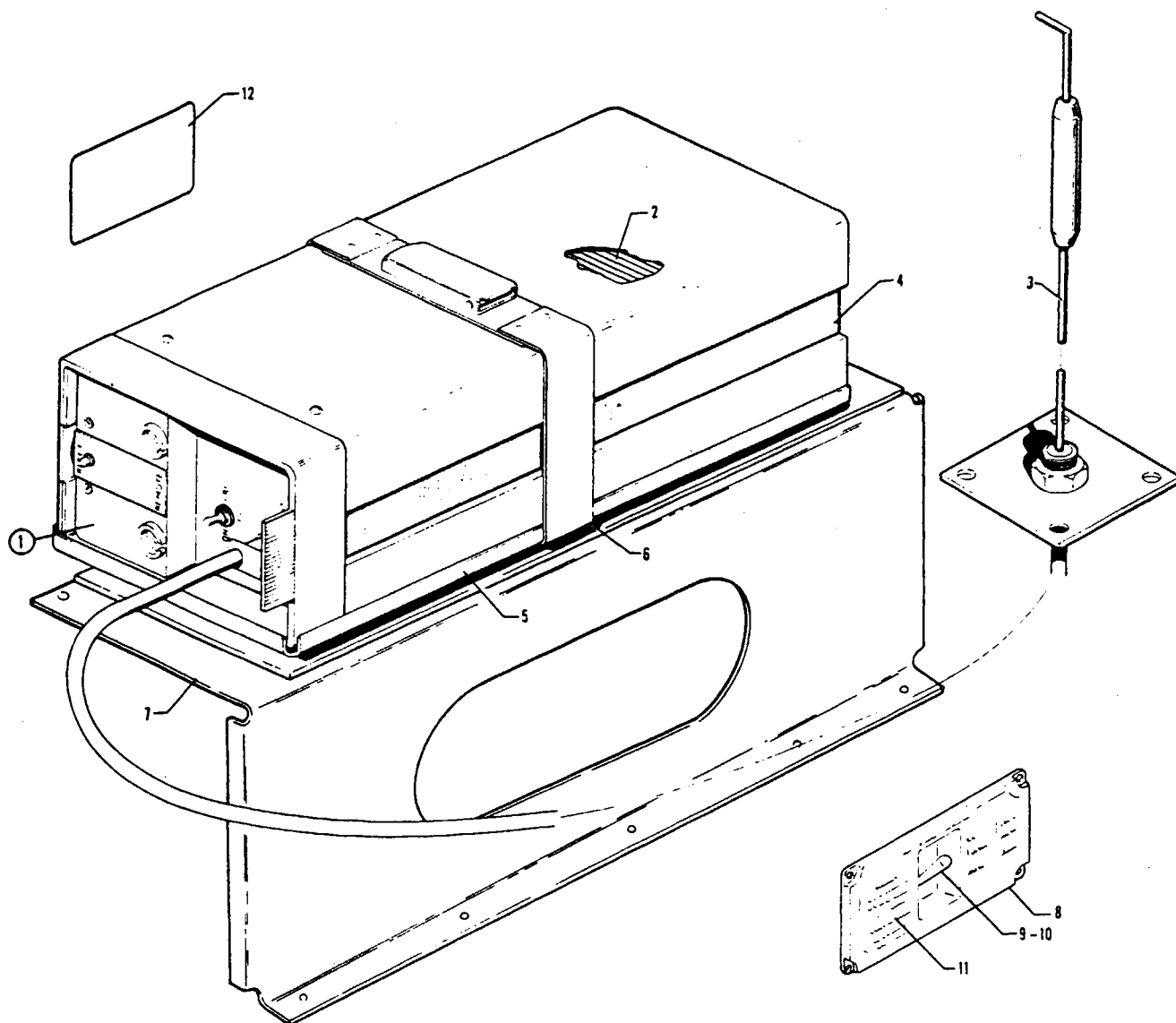


Figure 82B Piper Automatic Locator (ELT) Installation
(Narco Avionics)

PIPER PARTS CATALOG

Code Explanations for Figure 82B

A - When ordering specify color "Bark II" or black.

W - These parts must be ordered from Service Spares Department, Piper Aircraft, Lock Haven, Penna.

PIPER PARTS CATALOG

Figure and Index Number	Part Number	Code	NOMENCLATURE	No. Req.	SERIAL NUMBERS AFFECTED
82B-	36632		DRAWING - Piper Automatic Locator (ELT) Installation		
-1	597 461		TRANSMITTER ASSEMBLY - Automatic locator (ELT 10) (includes alkaline battery pack)	1	
-2	758 452	W	* BATTERY PACK - Transmitter assembly (57674-0001)	1	
-3	597 257	W	* ANTENNA ASSEMBLY - E.L.T (01652-0101)	1	
-4	763 019	W	* ANTENNA - Blade, portable (57667-0001)	1	
-5	758 453	W	* BASE - Transmitter assembly (57666-0001)	1	
-6	762 357	W	* STRAP - Transmitter assembly (57682-0101)	1	
-7	99887-06		BRACKET ASSEMBLY - Emergency locator transmitter	1	
-8	79463-00	A	COVER - ELT Switch	1	
-9	79599-00		SWITCH AND HARNESS ASSEMBLY - ELT	1	
-10	588 011		* SWITCH - (8E1011)	1	
-11	35669-132		PLACARD - Warning	1	
-12	35669-105		PLACARD - ELT location	1	

When ordering, always specify Part Number, Description and Serial Number of Aircraft

PIPER PARTS CATALOG

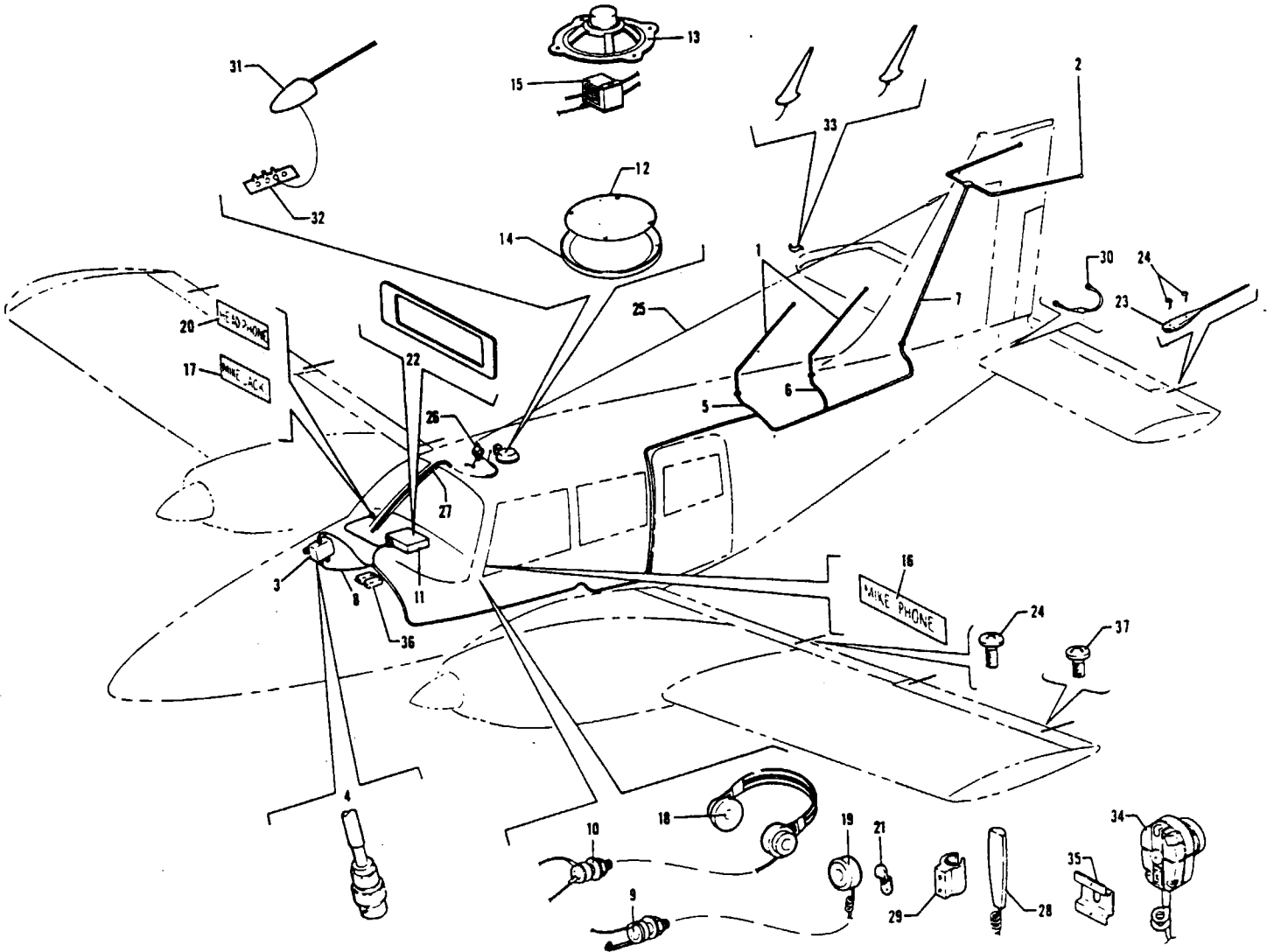


Figure 83 Radio Antenna System and Static Wicks Installation

REVISED: AUGUST 1979

2G4

PA-34-200T

PIPER PARTS CATALOG

CODE EXPLANATIONS FOR FIGURE 83

- A - See Figure 84 for component parts.
- B - With Single VHF Switch, ADF Switch and Marker Beacon Switch.
- C - With Microphone Switch, Dual VHF Switches and ADF Switch.
- D - With Microphone Switch, Dual VHF Switches, ADF Switch and Marker Beacon Switches.
- E - Used when Single Nav-Com with Glide Slope Coupler is installed.
- F - Used when Dual Nav-Com with Glide Slope Coupler is installed.
- G - Used when Bendix ADF-T-12C/D is installed.
- W - These parts must be ordered from Service Spares Department, Piper Aircraft, Lock Haven, Penna.

PIPER PARTS CATALOG

Figure and Index Number	Part Number	Code	NOMENCLATURE	No. Req	SERIAL NUMBERS AFFECTED
83-	95240 95255 79158		DRAWING - Radio System Installation DRAWING - Radio Antenna System Installation DRAWING - All Weather Radio Antenna System Installation		
-1	451 272	W	ANTENNA ASSEMBLY - Transmitting (VTP-17)	2	
-2	451 273	W	ANTENNA ASSEMBLY - Omni-receiving (VRP-37) Narco	1	
	451 802		ANTENNA ASSEMBLY - Omni-receiving (AV-12PPR) Antenna Specialists	1	
-3	555 421		COUPLER - Single Nav-Com with Glide Slope (AV-570)	1	
	555 422		COUPLER - Dual Nav-Com with Glide Slope (AV-571)	1	
	556 753		COUPLER - Dual Nav-Com with Dual Glide Slope (CI-1125)	1	34-7970123 and up
-4	581 043	W	CONNECTOR - BNC Type (2-329082-1)	1	
-5	99610-02		CABLE ASSEMBLY - Transmitting	1	
-6	99610-03		CABLE ASSEMBLY - Transmitting	1	
-7	65192-11		CABLE ASSEMBLY - Receiving	1	
-8	65236-03	E	CABLE ASSEMBLY - Nav-Com	1	
	95236-03	F	CABLE ASSEMBLY - Nav-Com	2	
-9	468 002	W	JACK - Mike (S12B)	2	
-10	468 006	W	JACK - Phone (11)	2	
-11	99395-00	A,B	AUDIO SELECTOR ASSEMBLY	1	
	99395-02	A,C	AUDIO SELECTOR ASSEMBLY	1	
	99395-03	A,D	AUDIO SELECTOR ASSEMBLY	1	
-12	68441-00		GRILL - Speaker	1	
-13	585 015		SPEAKER - Radio, circular (6FU3211)	1	
-14	68440-00		RING - Speaker	1	
-15	484 375		RELAY - Microphone (11F-2300G-SIL)	1	
-16	67471-00		PLACARD - Mike and phone	1	
-17	95238-00		PLACARD - Mike jack	1	
-18	464 362	W	HEADPHONE	1	
	464 407		HEADPHONE - (with boom mike)	1	34-7870001 and up
-19	474 652		MICROPHONE - (Telex 60837-17)	1	
-20	66838-00		PLACARD - Headphone	1	
-21	453 417		CLIP - Microphone	2	
-22	99409-00		COVER ASSEMBLY - Audio selector	1	
-23	494 678	W	WICK - Static (SW10-96)	9	
-24	415 520	W	SCREW - (MS35206-230)	10	
	407 122		WASHER - (AN935-6L)	10	
	406 848		RIVNUT - (AK675)	10	
-25	99841-02		ANTENNA ASSEMBLY - Receiving	1	
-26	467 064	W	INSULATOR - Antenna (135-40)	1	
-27	596 118		CABLE ASSEMBLY - Receiving (90677-67)	1	
-28	474 642		MICROPHONE - (Telex 62800-04)	1	
-29	565 523		HOLDER - Microphone (Telex 62802-00)	1	

When ordering, always specify Part Number, Description and Serial Number of Aircraft

PIPER PARTS CATALOG

Figure and Index Number	Part Number	Code	NOMENCLATURE	No. Req.	SERIAL NUMBERS AFFECTED
83-30	469 600		JUMPER ASSEMBLY - Lightning protection (MS25083-3AA6)	7	
-31	79160-00		ANTENNA ASSEMBLY - All weather receiving	1	
-32	79152-00		STRIP ASSEMBLY - All weather antenna terminal	1	
	79152-02	G	STRIP ASSEMBLY - All weather antenna terminal	1	34-7570001 to 34-7670393 incl
-33	596 332		ANTENNA - Broadband, VHF Comm (PS50040-18-1) (Communications Components)	2	
	596 664		ANTENNA - Broadband, VHF Comm. (PS50040-18-2) (Dorne & Margolin)	2	
-34	474 655		MICROPHONE - (M700A)	1	
-35	554 686		CLIP - Microphone holder (9OZ1136)	1	
-36	584 006		RELAY - Boom mike (652C-121-1D)	2	34-7870001 and up
-37	415 521	W	SCREW - (MS35206-230)	8	
	407 122		WASHER - (AN935-6L)	8	
	406 848		RIVNUT - (AK675)	8	

When ordering, always specify Part Number, Description and Serial Number of Aircraft

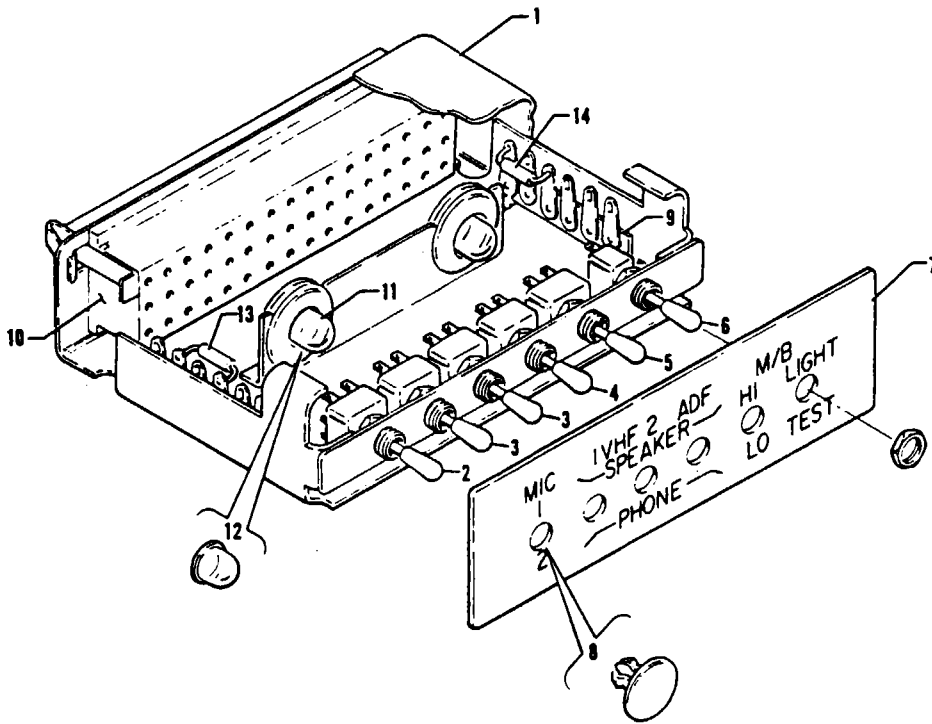


Figure 84. Audio Selector Assembly

PIPER PARTS CATALOG

CODE EXPLANATIONS FOR FIGURE 84

- A - With Single VHF Switch, ADF Switch and Marker Beacon Switches.
- B - With Microphone Switch, Dual VHF Switches and ADF Switch
- C - With Microphone Switch, Dual VHF Switches and ADF Switch and Marker Beacon Switches
- W - These parts must be ordered from Service Spares Department, Piper Aircraft, Lock Haven, Penna

PIPER PARTS CATALOG

Figure and Index Number	Part Number	Code	NOMENCLATURE	No. Req.	SERIAL NUMBERS AFFECTED
84-1	99395-00	A	AUDIO SELECTOR ASSEMBLY	1	
	99395-02	B	AUDIO SELECTOR ASSEMBLY	1	
	99395-03	C	AUDIO SELECTOR ASSEMBLY	1	
-2	587 807		SWITCH - Microphone (JMT-223)	1	
-3	587 808		SWITCH - VHF (JMT-221)	2	
-4	587 808		SWITCH - ADF (JMT-221)	1	
-5	587 808		SWITCH - Marker beacon, Hi/Lo (JMT-221)	1	
-6	587 809		SWITCH - Marker beacon, light test (JMT-126)	1	
-7	99344-00		PLATE - Selector face	1	
-8	453 855	W	BUTTON - Plug (207-170201-00)	2	
-9	588 356		STRIP - Terminal (1076)	2	
-10	484 234		RECEPTACLE - (1055R48)	1	
-11	472 056		BULB - (GE 53)	2	
-12	460 602		FILTER - Lunar white (1813-26)	2	
-13	456 703		DIODE - (1N2071)	3	
-14	484 461		RESISTOR - (242E3R05)	1	

When ordering, always specify Part Number, Description and Serial Number of Aircraft

PIPER PARTS CATALOG

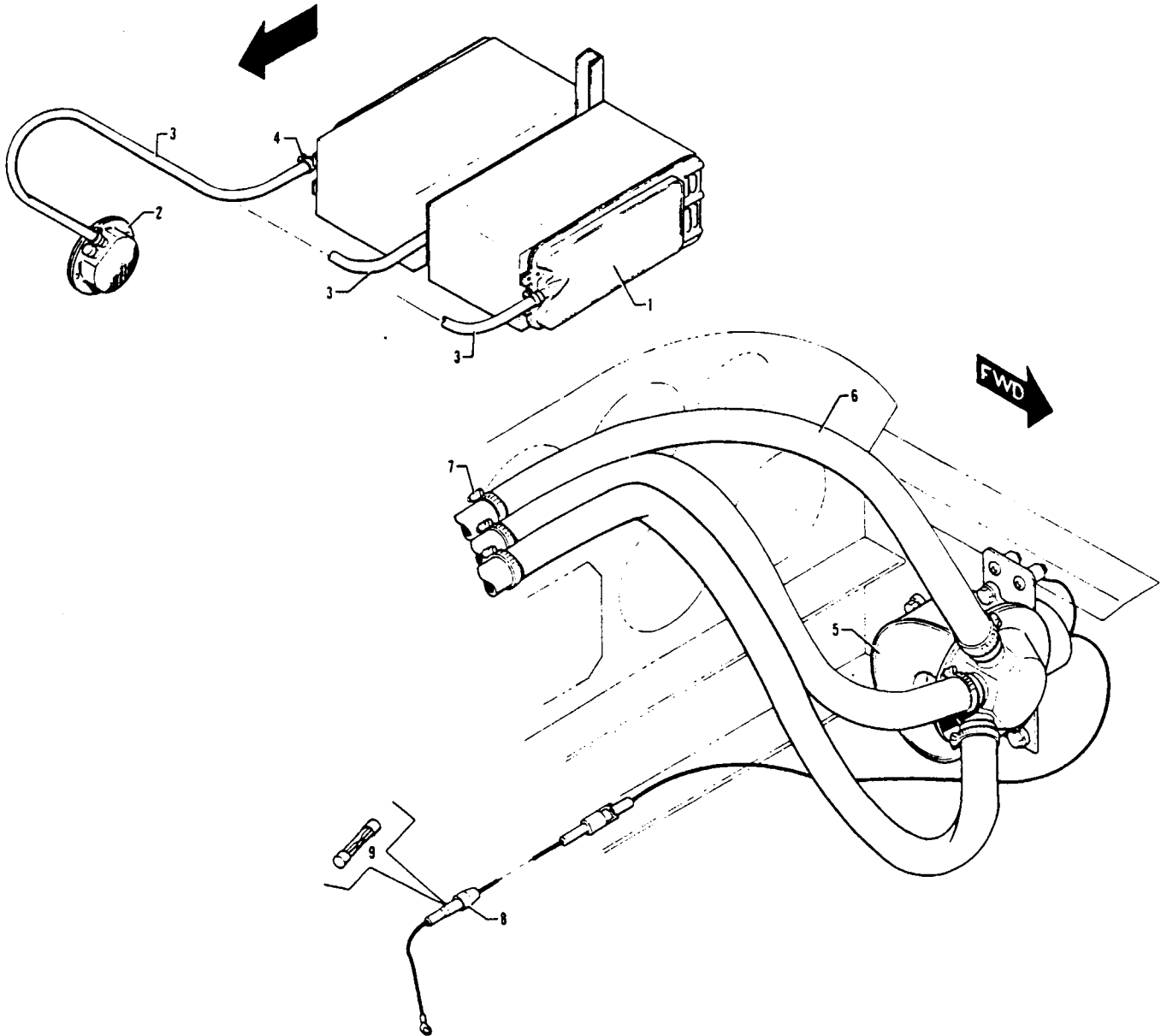


Figure 84A. Avionics Cooling Installation

REVISED APRIL 1981

2G11

PA-34-200T

Island Enterprises

PIPER PARTS CATALOG

CODE EXPLANATIONS FOR FIGURE 84A

W - These parts must be ordered from Service Spares Department, Piper Aircraft, Lock Haven, Penna

PIPER PARTS CATALOG

Figure and Index Number	Part Number	Code	NOMENCLATURE	No. Req.	SERIAL NUMBERS AFFECTED
84A-	79406 39668		DRAWING - Avionics Cooling Installation DRAWING - Bendix Radio Cooling Blower Installation		34-8070001 and up
-1	79405-00		BOX ASSEMBLY - Avionics cooling	1	
-2	596 444		SCOOP ASSEMBLY - Air (KA-16)	1	
-3	63633-135 63633-170		HOSE - Avionics cooling (40" long) HOSE - Avionics cooling (30" long)	2 1	
-4	554 888	W	CLAMP - (SAE TY F-6)	3	
-5	452 997		BLOWER - Avionics cooling (3604529-0504)	1	34-8070001 and up
-6	63633-135		HOSE - Blower	3	34-8070001 and up
-7	554 888	W	CLAMP - (SAE TY F-6)	6	34-8070001 and up
-8	86652-05		FUSE ASSEMBLY - Blower	1	34-8070001 and up
-9	461 629		* FUSE - (311005)	1	34-8070001 and up

When ordering, always specify Part Number, Description and Serial Number of Aircraft

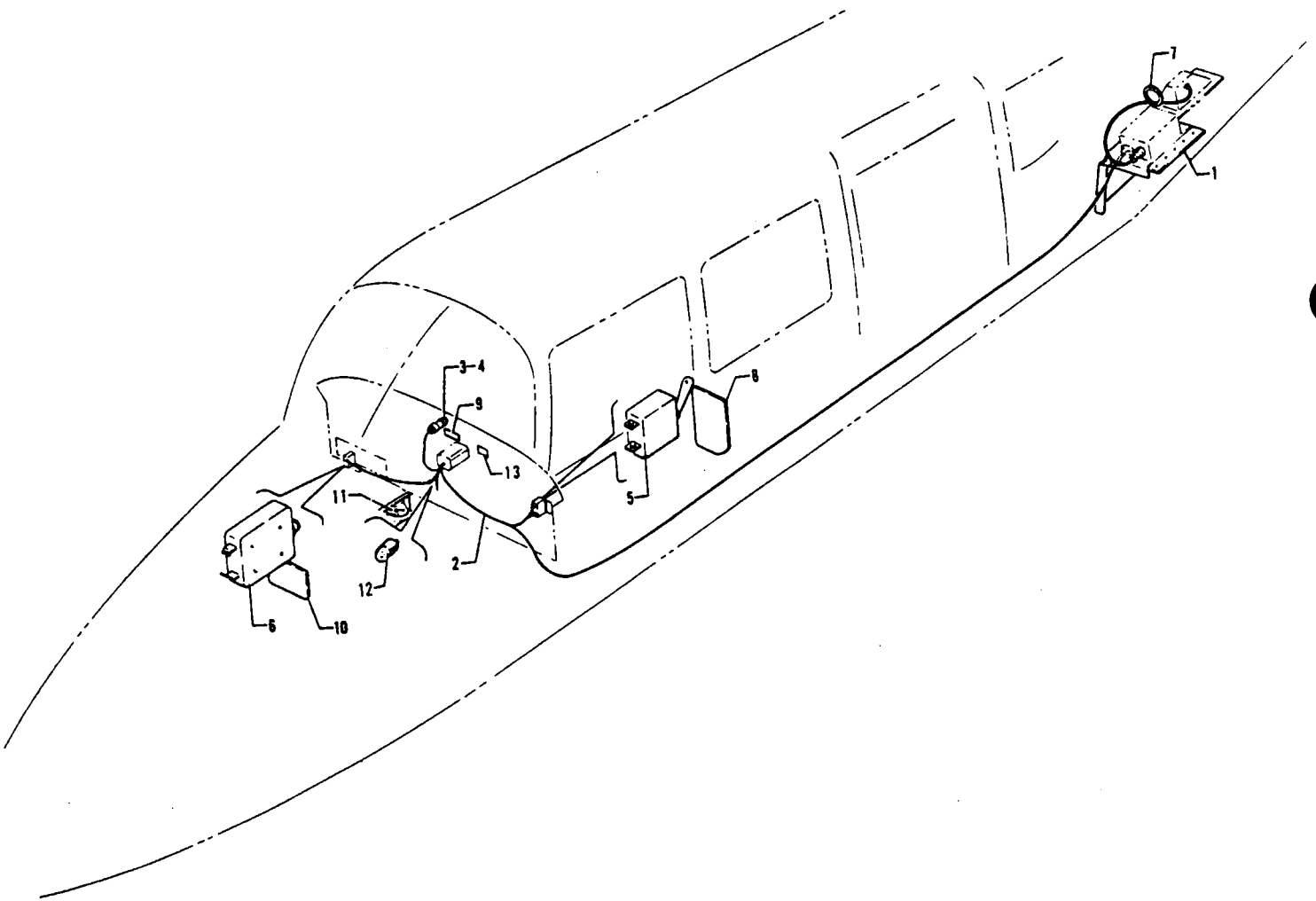


Figure 85. Radar Altimeter Installation (Bonzer)

PIPER PARTS CATALOG

CODE EXPLANATIONS FOR FIGURE 85

A - Used if air conditioning is installed.

W - These parts must be ordered from Service Spares Department, Piper Aircraft, Lock Haven, Penna

PIPER PARTS CATALOG

Figure and Index Number	Part Number	Code	NOMENCLATURE	No. Req.	SERIAL NUMBERS AFFECTED
85-	37693		DRAWING - Radar Altimeter Installation (Bonzer)		
-1	37693-04		SUPPORT - Radar altimeter transmitter	1	
-2	37694-02		HARNES ASSEMBLY - Radar altimeter	1	
-3	761 198		* LAMP ASSEMBLY - (136-0020-00)	1	
-4	472 054	W	* LAMP (PS10008-330)	1	
-5	587 923		* SWITCH - (PS10095-1)	1	
-6	454 714		CIRCUIT PROTECTOR - (PS50120-2-1) 5 amp	1	
-7	63186-12		MOULDING	1	
-8	69669-97		PLACARD - Radar altimeter On-Off	1	
-9	69669-95		PLACARD - Radar altimeter Off for take off	1	
-10	69669-96		PLACARD - Radar altimeter	1	
-11	35672-02		BRACKET - Horn	1	
-12	472 054	W	LAMP - (PS10008-330)	1	
-13	69669-114	A	PLACARD - Warning	1	34-7970001 and up

When ordering, always specify Part Number, Description and Serial Number of Aircraft

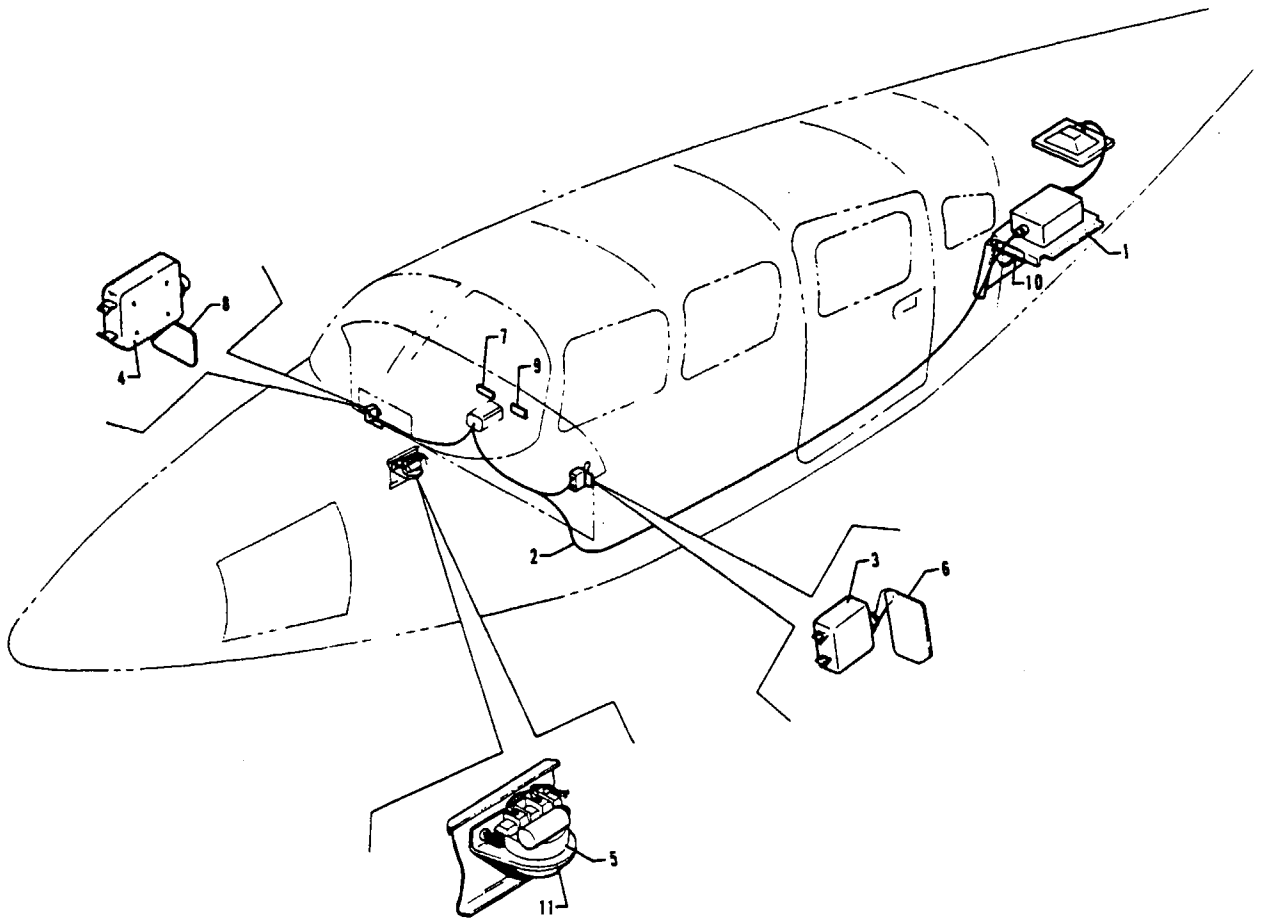


Figure 86 Radar Altimeter Installation (King)
(Serial Nos 34-8070001 and up)

PIPER PARTS CATALOG

CODE EXPLANATIONS FOR FIGURE 86

A - Used if air conditioning is installed

W - These parts must be ordered from Service Spares Department, Piper Aircraft, Lock Haven, Penna.

PIPER PARTS CATALOG

Figure and Index Number	Part Number	Code	NOMENCLATURE	No. Req.	SERIAL NUMBERS AFFECTED
86-	36973		DRAWING - Radar Altimeter Installation, King		
-1	36973-06		SUPPORT - Radar altimeter transmitter	1	
-2	36970-02		HARNES ASSEMBLY - Radar altimeter	1	
-3	587 923		* SWITCH - (PS10095-1)	1	
-4	454 714		CIRCUIT BREAKER - (PS50120-2-1) 5 AMP	1	
-5	565 367	W	HORN - Warning (SC-628)	1	
-6	69669-97		PLACARD - Radar altimeter ON-OFF	1	
-7	69669-95		PLACARD - Radar altimeter OFF for take-off	1	
-8	69669-96		PLACARD - Radar altimeter	1	
-9	69669-114	A	PLACARD - Warning	1	
-10	63186-23		MOULDING	1	
-11	35672-02		BRACKET - Horn	1	

When ordering, always specify Part Number, Description and Serial Number of Aircraft

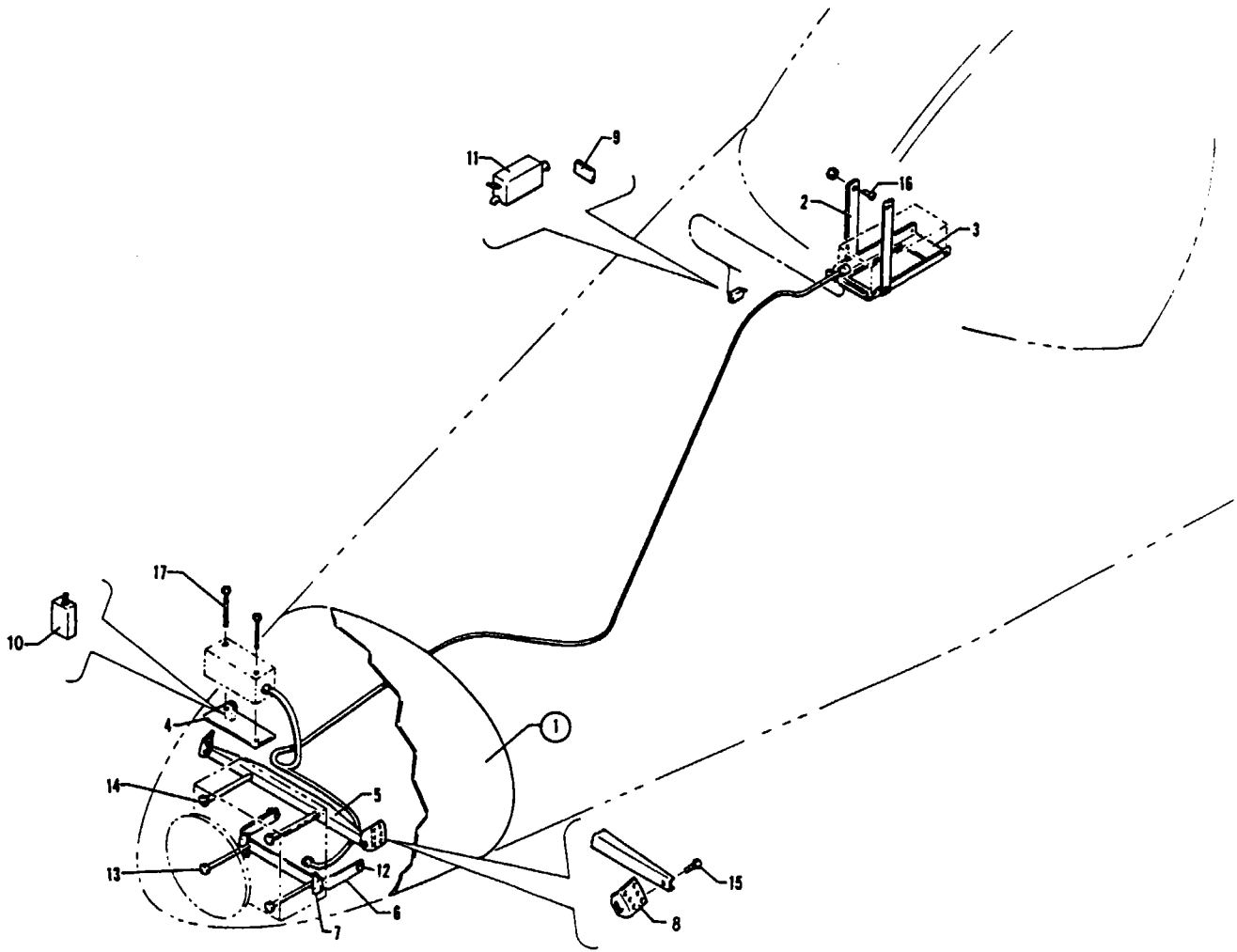


Figure 87 Radar System Installation (Bendix)
(Serial Nos 34-7870001 and up)

PIPER PARTS CATALOG

CODE EXPLANATIONS FOR FIGURE 87

A - See Figure 8 for component parts

B - Used with Bendix RDR-160 weathervision system only

W - These parts must be ordered from Service Spares Department, Piper Aircraft, Lock Haven, Penna

PIPER PARTS CATALOG

Figure and Index Number	Part Number	Code	NOMENCLATURE	No. Req.	SERIAL NUMBERS AFFECTED
87-	37916		DRAWING - Radar System Installation		
-1	95700-13	A	CONE ASSEMBLY - Nose, radar (complete)	1	
-2	79009-00	B	PLATE - Support	2	
-3	67978-02	B	TRAY - Mounting, radar indicator	1	
-4	37919-02	B	PLATE ASSEMBLY - Mounting	1	
-5	37906-02		BEAM - Radar antenna support	1	
-6	37904-02		BRACKET ASSEMBLY - Radar antenna	1	
-7	67977-02		INSULATOR - Radar	1	
-8	37918-02		CLIP ASSEMBLY - Radar antenna	2	
-9	35669-25		PLACARD - Radar	1	
-10	454 714		CIRCUIT BREAKER - (PS50120-2-1) 5 AMP	1	
-11	454 715		CIRCUIT BREAKER - (PS50120-2-3) 10 AMP	1	
-12	415 535	W	SCREW - (MS35206-245)	4	
	407 563	W	WASHER - (AN960-8)	4	
	404 910	W	NUT - (MS20365-832C)	4	
-13	401 336	W	BOLT - (AN4-37A)	2	
	407 565	W	WASHER - (AN960-416)	2	
-14	401 336	W	BOLT - (AN4-37A)	2	
	407 565	W	WASHER - (AN960-416)	4	
	407 585	W	WASHER - (AN960-416L)	2	
	404 888	W	NUT - (MS20365-428C)	2	
-15	411 548		SCREW - (MS35207-279)	2	
-16	411 497		SCREW - (MS35207-228)	6	
	406 428		NUT - (C8095-632-3)	6	
-17	411 543		SCREW - (MS35207-274)	2	

When ordering, always specify Part Number, Description and Serial Number of Aircraft

2G23 THRU 2G24
INTENTIONALLY LEFT BLANK

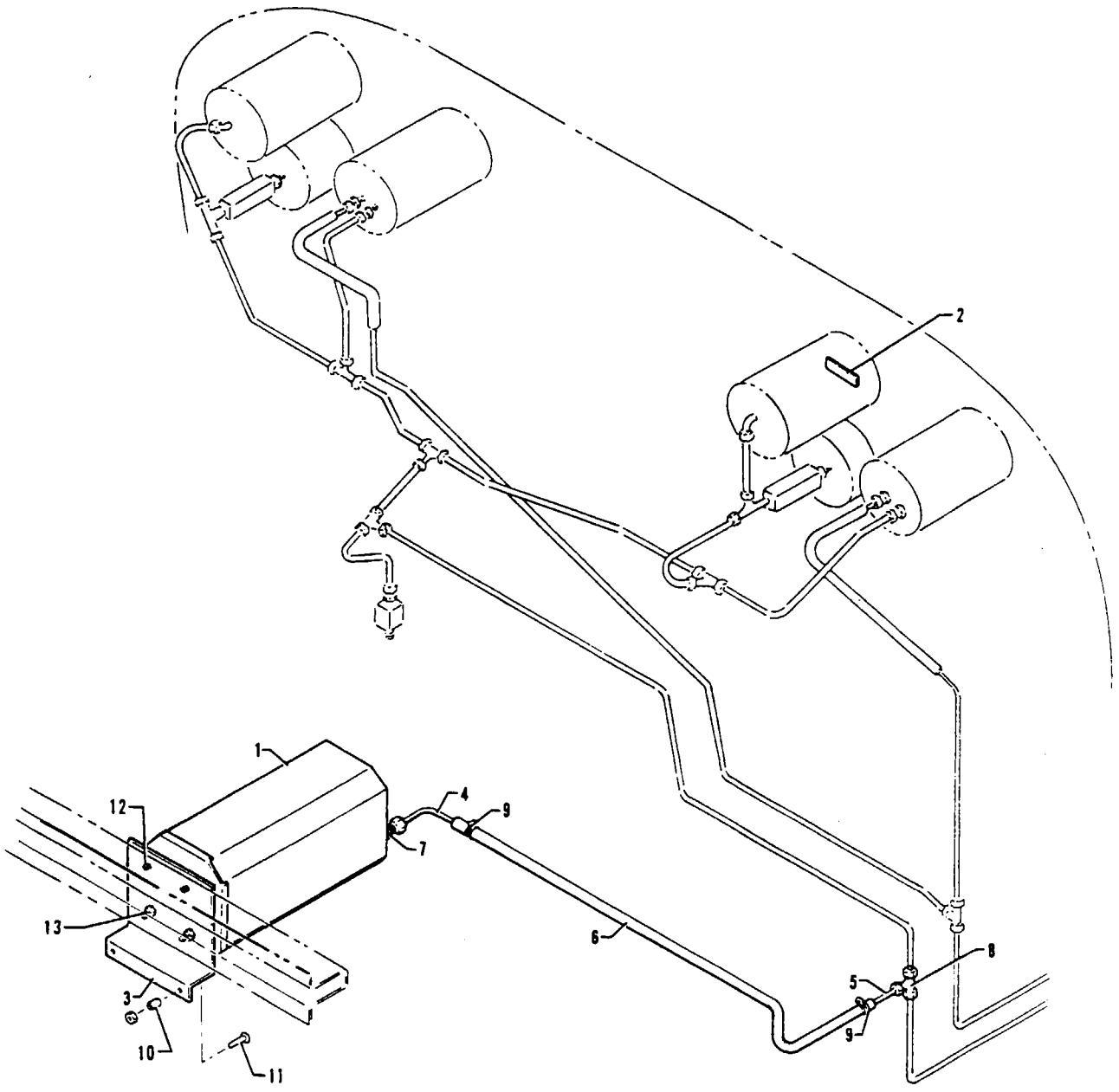


Figure 88 Encoder Installation (Narco- AR 500 & United - 5125-P3)
(Serial Nos 34-7770001 and up)

PIPER PARTS CATALOG

CODE EXPLANATIONS FOR FIGURE 88

- A - Used with Narco Altitude Reporter only.
- B - Used with United Altitude Reporter only.
- W - These parts must be ordered from Service Spares Department, Piper Aircraft, Lock Haven, Penna.

PIPER PARTS CATALOG

Figure and Index Number	Part Number	Code	NOMENCLATURE	No. Req.	SERIAL NUMBERS AFFECTED
88-	37814		DRAWING - Encoder Installation (Narco - AR-500 and United - 5125-P3)		
-1	596 605		ALTITUDE REPORTER - Narco (PS50040-30-2)	1	
	597 426		ALTITUDE REPORTER - United (PS50040-30-4)	1	34-7970221 and up
-2	35669-154		PLACARD - Altitude reporter installed	1	
-3	37813-02	A	PLATE ASSEMBLY - Mounting	1	
	36969-02	B	BRACKET ASSEMBLY - Mounting	1	34-7970221 and up
-4	63211-00		TUBE ASSEMBLY - Altitude reporter	1	
-5	79636-04		TUBE ASSEMBLY - Altitude reporter	1	
-6	63913-115		HOSE	1	
-7	476 647	W	UNION - (AN816-3D)	1	
-8	488 315	W	TEE - (AN824-3D)	1	
-9	554 861	W	CLAMP - (SAE-TYF-4)	2	
-10	63900-38		BUSHING - Mounting plate, bottom	2	
-11	415 520	W	SCREW - (MS35206-230)	2	
	404 909	W	NUT - (MS20365-632C)	2	
-12	419 648	A.W	SCREW - (6 x 3/8, Type B)	2	
	415 514	B.W	SCREW - (MS35206-234)	2	
	407 562	B.W	WASHER - (AN960-6)	2	
-13	415 519	A.W	SCREW - (MS35206-229)	2	
	415 514	B.W	SCREW - (MS35206-234)	2	
	407 562	B.W	WASHER - (AN960-6)	2	

When ordering, always specify Part Number, Description and Serial Number of Aircraft

PIPER PARTS CATALOG

CODE EXPLANATIONS FOR RADIO INSTALLATION DRAWINGS

PIPER PARTS CATALOG

Figure and Index Number	Part Number	Code	NOMENCLATURE	No. Req.	SERIAL NUMBERS AFFECTED
	79308		DRAWING - Narco COM 11A/111,11B/111B, NAV 11/111, 12/112 Radio Installation		34-7570001 to 34-7770441 incl.
	99989		DRAWING - Narco AT50/AT-150 Transponder Installation		
	79304		DRAWING - Narco CP 25B/125 and MBT-12-R Audio and Marker Beacon Installation		34-7570001 to 34-7770441 incl
	37964		DRAWING - Narco CP-135/135M Radio Installation		34-7870001 and up
	37675		DRAWING - Narco MBT-12R Marker Beacon Installation		34-7570001 to 34-7770441 incl.
	69860		DRAWING - Narco ADF-140 Single Radio Installation		
	79491		DRAWING - Narco DME-190/190 TSO		34-7870001 and up
	37843		DRAWING - Narco DME-195 Installation		34-7570001 to 34-7770441 incl
	37170		DRAWING - Narco CLC-60A RNAV Radio Installation		
	37989		DRAWING - Narco CLC-60A/ID-124, DME-190 RNAV Radio Installation (with or without King KFC-200 FCS provision)		
	37993		DRAWING - Narco CLC-60A/ID-124/DME 195 Radio Installation (with or without King KFC-200 FCS provision)		34-7870001 and up
	37954		DRAWING - Narco NAV 121/122/122A/124A, Com and Glide Slope Radio Installation (with or without marker, DME and King KFC-200 FCS provision)		34-7870001 and up 34-7870001 and up
	37967		DRAWING - Narco NAV 124A, NSD-360A Radio Installation		
	37855		DRAWING - Narco CLC-60A/NSD-360A, DME-195 Radio Installation		34-7870001 and up
	99666		DRAWING - King KN-60C DME Installation		34-7570001 to 34-7670337 incl.
	37790		DRAWING - King KN-61 DME Installation		34-7670001 to 34-7970556 incl
	99837		DRAWING - King KX-170B or KX-175B and Glide Slope Radio Installation		34-7570001 to 34-7970002 incl. 34-7570001 to 34-8070377 incl.
	99844		DRAWING - King KR-85 Single Radio Installation		
	79051		DRAWING - King KR-86 Single Radio Installation		
	79001		DRAWING - King KMA-20 Audio and Marker Beacon Installation		34-7570001 to 34-8070377 incl
	39772		DRAWING - King KMA-24 Radio System Installation		34-8170001 and up
	79078		DRAWING - King KR-21 Marker Beacon Installation		
	69657		DRAWING - King KT76/78 Transponder Installation		
	79025		DRAWING - King KX-175B, KN-73, KN-77 and KNI-520 Radio Installation		34-7570001 to 34-7970002 incl. 34-7570001 to 34-7970556 incl. 34-8070001 and up
	79015		DRAWING - King KN-65/65A DME Installation		
	36968		DRAWING - King KN62/62A Radio Installation		34-7570001 to 34-7970002 incl.
	79070		DRAWING - King KN-74 RNAV Radio Installation		34-7570001 to 34-7970002 incl.
	79075		DRAWING - King KR-85, KR-86 Dual Radio Installation		34-7570001 to 34-8070079 incl
	39767		DRAWING - King KR-87 Single/Dual ADF Radio Installation		34-8170001 and up
	69870		DRAWING - Narco ADF-140/141 Dual Radio Installation		
	37762		DRAWING - King KX-170B/WNSD-360 Dual Radio Installation		34-7670001 to 34-7970002 incl
	37763		DRAWING - King KX-175B/WNSD-360 Dual Radio Installation		34-7670001 to 34-7970002 incl.
	37760		DRAWING - Narco CLC-60A/NSD-360 RNAV Radio Installation		34-7670001 and up
	37761		DRAWING - Narco NAV 14/114 OC110, NSD-360 Radio Installation		
	37808		DRAWING - Collins AMR-350 Audio and Marker Beacon System		34-7770001 and up
	37815		DRAWING - Collins TDR-950 Transponder/with Encoding Altimeter provisions		34-7770001 and up
	37817		DRAWING - Collins Single ADF Installation		34-7770001 and up
	37818		DRAWING - Narco DME-195 Installation		34-7770001 to 34-7970556 incl
	36990		DRAWING - Collins DME 451 Radio Installation		34-8070001 and up

When ordering, always specify Part Number, Description and Serial Number of Aircraft

PIPER PARTS CATALOG

Figure and Index Number	Part Number	Code	NOMENCLATURE	No. Req.	SERIAL NUMBERS AFFECTED
	37820		DRAWING - Collins Dual VHF-251 / with DME Switching, Dual Omni and Glide Slope (with or without King KFC-200 FCS provision)		34-7770001 and up
	37822		DRAWING - Collins Dual VHF-251 / with DME Switching, HSI, Glide Slope and Omni		34-7770001 and up
	69982		DRAWING - King Single ADF/HF Compatibility Installation		
	36916		DRAWING - King KX-170B/BE, KX-175B/BE, KI-206, KN-74/75/65A, KI-206/208 Area Nav System (with provision for King KFC-200)		34-7970001 to 34-7970556 incl
	36978		DRAWING - King KX-170B/BE, 175B/BE, KI-203/204/206/208, KN53/74/75/65A, KNS-80, KY197, KFC200, NSD360A Area Nav System		34-8070001 and up
	36917		DRAWING - King KX-170B/175B and Glide Slope Installation (with provision for King KFC-200)		34-7970001 and up
	36918		DRAWING - King Dual KX-170B, KX-175B with NSD-360 Radio Installation		34-7970001 and up
	36920		DRAWING - Collins DCE-400 Distance Computing Equipment		34-7970191 and up
	36997		DRAWING - ANS-351 Area Nav Installation		34-8070001 and up

When ordering, always specify Part Number, Description and Serial Number of Aircraft

PIPER PARTS CATALOG

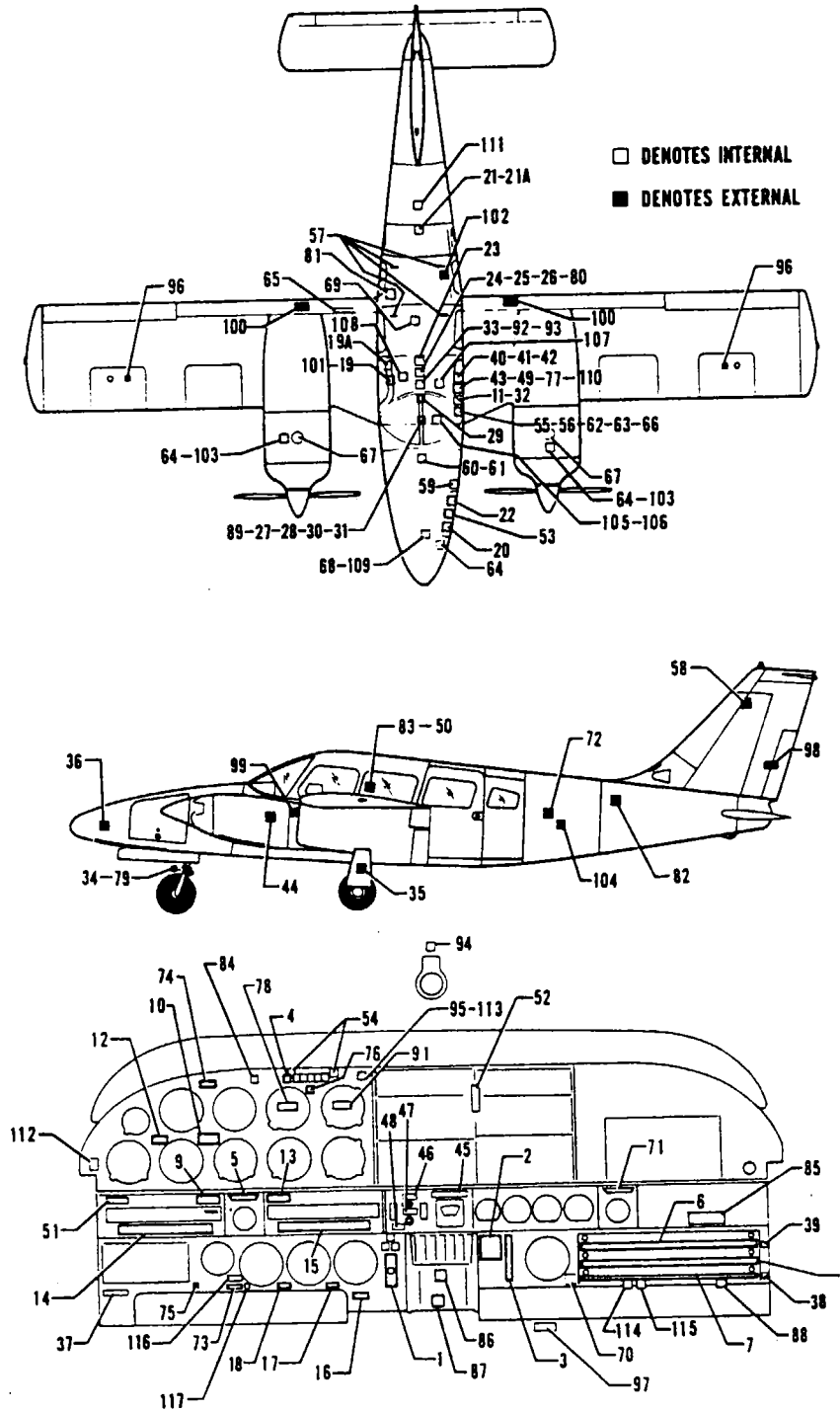


Figure 89 Placards and Exterior Stencils

PIPER PARTS CATALOG

CODE EXPLANATIONS FOR FIGURE 89

- A - Used on aircraft that comply with C A A (United Kingdom) requirements
- B - Also used on aircraft with serial numbers 34-7570001 to 34-7570308 inclusive if Auxiliary Fuel System Modification Kit 760 926 has been installed per Service Letter 754
- C - Used on airplanes with serial numbers 34-7570001 to 34-7570327 inclusive if Avionics Bus Relay By-pass Modification Kit 761 133 has been installed per Service Bulletin 553
- D - Used if two blade propellers are installed
- E - Used when dual omni coupler is installed
- F - Used if King AutoPilot or King AutoPilot F/D (KFC-200) is installed
- G - Used if air conditioning is installed
- H - Used if Oxygen System is installed
- J - Used if King AutoPilot or King AutoPilot F/D (KFC-200) and Bendix Dual Nav-Com is installed
- K - On aircraft with serial numbers 34-7970001 to 34-8070159 inclusive only, order part for serial numbers 34-8070160 and up if Variable Potentiometer Kit 764 004 or complete Synchrophaser Kit 764 029 has been installed per Service Spares Letter 362
- L - Used if a push on-off pitch trim switch is installed
- M - Used if a toggle pitch trim switch is installed
- W - These parts must be ordered from Service Spares Department, Piper Aircraft, Lock Haven, Penna

PIPER PARTS CATALOG

Figure and Index Number	Part Number	Code	NOMENCLATURE	No. Req.	SERIAL NUMBERS AFFECTED
89-	37180 37650 79738 37961 79832 36599 37224		DRAWING - Placard Details Installation DRAWING - Exterior Finish DRAWING - Exterior Finish DRAWING - Exterior Finish DRAWING - Exterior Finish DRAWING - Exterior Finish DRAWING - Exterior Finish		34-7570001 to 34-7670393 incl 34-7770001 to 34-7770441 incl. 34-7870001 to 34-7870492 incl. 34-7970001 to 34-7970556 incl. 34-8070001 to 34-8070377 incl. 34-8170001 and up
-1	67703-00 69669-132		PLACARD - Gear switch PLACARD - Gear switch	1 1	34-7570001 to 34-7670393 incl. 34-7770001 and up
-2	69669-22		PLACARD - Alternate static source	1	
-3	69669-23		PLACARD - Panel and radio light switch	1	
-4	69669-39		PLACARD - Press test	1	
-5	69669-41		PLACARD - Single engine stall warning	1	34-7570001 to 34-7970556 incl.
-6	69669-46 35669-99	F	PLACARD - Circuit breaker PLACARD - Circuit breaker	1 1	34-7970001 and up
-7	69669-47 35669-109 35669-167	F J	PLACARD - Circuit breaker PLACARD - Circuit breaker PLACARD - Circuit breaker	1 1 1	34-7970001 and up 34-8070001 and up
-8	69669-48		PLACARD - Circuit breaker	1	
-9	69669-50 69669-51 69669-130		PLACARD - Minimum single engine control speed, 80 mph PLACARD - Minimum single engine control speed, 70 knots PLACARD - Minimum single engine control speed, 66 knots	1 1 1	34-7570001 to 34-7670393 incl. 34-7570001 to 34-7670393 incl. 34-7770001 to 34-7970556 incl.
-10	69669-53 69669-54 35669-19 35669-151		PLACARD - Rough air or maneuvering speed, 140 mph PLACARD - Rough air or maneuvering speed, 122 knots PLACARD - Maneuvering speed, 136 knots at 4570 lbs. PLACARD - Maneuvering speed	1 1 1 1	34-7570001 to 34-7670393 incl. 34-7570001 to 34-7670393 incl. 34-7770001 to 34-7970556 incl. 34-8070001 and up
-11	96853-00 69669-141		PLACARD - Storm window PLACARD - Storm window	1 1	34-7570001 to 34-7670393 incl. 34-7770001 and up
-12	69669-72 69669-73		PLACARD - Crosswind component, 20 mph PLACARD - Crosswind component, 17 knots	1 1	34-7570001 to 34-7970556 incl. 34-7570001 to 34-7970556 incl.
-13	95978-00 69669-52 69669-149		PLACARD - Gear actuation speed, mph PLACARD - Gear actuation speed, knots PLACARD - Gear actuation speed, knots	1 1 1	34-7570001 to 34-7670393 incl. 34-7570001 to 34-7670393 incl. 34-7770001 to 34-7970556 incl.
-14	96987-03		PLACARD - Take-off check list	1	34-7570001 to 34-7970556 incl.
-15	96988-07 96988-08 96988-09 69669-129	A	PLACARD - Landing check list, mph PLACARD - Landing check list, knots PLACARD - Landing check list, mph PLACARD - Landing check list, knots	1 1 1 1	34-7570001 to 34-7670393 incl. 34-7570001 to 34-7670393 incl. 34-7570001 to 34-7670393 incl. 34-7770001 to 34-7970556 incl.
-16	69669-119 69669-174		PLACARD - Emergency gear extension PLACARD - Emergency gear extension	1 1	34-7570001 to 34-7670393 incl. 34-7770001 and up
-17	69669-68 35669-153	D D	PLACARD - Ground operation during cross-tail wind PLACARD - Ground operation during cross-tail wind	1 1	34-7570001 to 34-7970556 incl. 34-8070001 and up
-18	69669-70	G	PLACARD - Avoid continuous operation 2000-2200 rpm above 32" manifold pressure	1	34-7570001 to 34-7970556 incl
-19	68555-05		PLACARD - Latch engagement	1	34-7570001 to 34-7870492 incl.

When ordering, always specify Part Number, Description and Serial Number of Aircraft

PIPER PARTS CATALOG

Figure and Index Number	Part Number	Code	NOMENCLATURE	No. Req.	SERIAL NUMBERS AFFECTED
89-19a	69669-117		PLACARD - Open door	1	34-7670064 and up
	69669-118		PLACARD - Latch door	1	34-7670064 and up
-20	96273-00		PLACARD - Nose baggage limitations	1	34-7570001 to 34-7670393 incl.
	69669-148		PLACARD - Nose baggage limitations	1	34-7770001 and up
-21	96272-00		PLACARD - Aft baggage limitations	1	
-21a	66787-00		PLACARD - Cabin bulkhead, soft wear only	1	
-22	68803-00		PLACARD - Baggage compartment light switch	1	
-23	69669-99		PLACARD - Fuel selector (46.5 gallons per side)	1	
	69669-113		PLACARD - Fuel selector (61.5 gallons per side)	1	
-24	35669-164		PLACARD - Rudder trim	1	
-25	69669-09		PLACARD - Heater control	1	
-26	69669-38		PLACARD - Heater, flight and ground operation	1	
-27	95961-00		PLACARD - Cowl flap	1	
-28	78042-02		PLACARD - Weight limitations	1	
-29	96603-00		PLACARD - Stabilator trim	1	
-30	95805-00		PLACARD - Throttle, propeller and mixture	1	
-31	96296-00		PLACARD - Alternate air	1	34-7570001 to 34-7870492 incl
	35669-173		PLACARD - Alternate air	2	34-7970001 and up
-32	78124-00		PLACARD - Pitot drain	1	34-7570001 to 34-7670136 incl
	69669-115		PLACARD - Pitot drain	1	34-7670137 and up
-33	69669-26		PLACARD - Vent fan	1	
-34	96274-00		PLACARD - Nose gear, oleo service limitations	1	
-35	69669-67		PLACARD - Main gear, oleo service instructions	2	
-36	62343-00	W	PLACARD - External power	1	34-7570001 to 34-7670393 incl.
	69669-173		PLACARD - External power	1	34-7770001 and up
-37	67471-00		PLACARD - Mike and phone	1	
-38	95238-00		PLACARD - Mike jack	1	
-39	66838-00		PLACARD - Headphone	1	
-40	95204-02		PLACARD - Alternator	1	
	69669-179		PLACARD - Alternator and dimmer switch lights	1	34-7770001 and up
-41	69669-49		PLACARD - Operations limitations	1	34-7570001 to 34-7970556 incl.
	35669-141		PLACARD - Operations limitations	1	34-8070001 and up
-42	96727-00		PLACARD - Magneto switch cover, left	1	
	96727-02		PLACARD - Magneto switch cover, right	1	
-43	96602-00		PLACARD - Strobe light operating	1	34-7570001 to 34-7970070 incl.
-44	37661-03		STENCIL - Seneca II	4	34-7570001 to 34-7770441 incl.
	37976-02		PLACARD - Nameplate, Seneca II	4	34-7870001 to 34-7870492 incl.
-45	69669-02		PLACARD - Not approved for flight in icing conditions	1	
	69669-43		PLACARD - Approved for flight in icing conditions	1	
-46	582 362		PLACARD - "ON" (2D1294-1)	1	
-47	582 363		PLACARD - Wing ice light (2D1294-2)	1	
-48	582 364		PLACARD - Wing tail deicers (2D1294-3)	1	
-49	69669-66		PLACARD - Warning (ELT)	1	
-50	48629-00		MEDALLION - Piper logo	1	
-51	69669-65		PLACARD - Limitations for flight with aft door removed	1	34-7570001 to 34-7670393 incl
	69669-147		PLACARD - Limitations for flight with aft door removed	1	34-7770001 and up
-52	69669-100		PLACARD - Radio master switch	1	34-7570001 to 34-8070101 incl.
	35669-125		PLACARD - Radio master switch	1	34-8070102 and up
-53	69669-81		PLACARD - Door support	1	34-7570001 to 34-7570259 incl.
-54	69669-101	B	PLACARD - Auxiliary fuel "ON"	2	34-7570309 and up
-55	69669-102	B	PLACARD - Primer	1	34-7570309 and up

When ordering, always specify Part Number, Description and Serial Number of Aircraft

PIPER PARTS CATALOG

Figure and Index Number	Part Number	Code	NOMENCLATURE	No. Req.	SERIAL NUMBERS AFFECTED
89-56	69669-106	B	PLACARD - Auxiliary fuel pumps	1	34-7570309 and up
-57	69669-110		PLACARD - Seat back release	4	34-7570001 to 34-7770147 incl
-58	79688-00		PLACARD - Piper logo	2	34-7770001 to 34-7770441 incl
-59	69669-80		PLACARD - Baggage compartment door latch	1	34-7570260 and up
-60	96546-00		PLACARD - Brake fluid reservoir	1	
-61	96548-00		PLACARD - Fluid lever line	1	
-62	69669-75		PLACARD - Lift detector	1	
-63	69669-156		PLACARD - Ground operation	1	
-64	63408-00		PLACARD - Oil cooler winterization	3	
-65	35664-02		PLACARD - Flap warning	1	
-66	69669-183		PLACARD - Optional engine primer	1	
-67	35669-11		PLACARD - Oil drain probe location	2	
-68	35669-12		PLACARD - Oil drain stowage	1	
-69	35669-13		PLACARD - Oxygen bottle installation	1	
-70	69669-186		PLACARD - Cruise fuel flow	1	34-7570001 to 34-7970556 incl
-71	35669-15	C	PLACARD - Radio bus override	1	
-72	37974-02		NAMEPLATE - Piper	2	34-7870001 to 34-7870492 incl
	78746-02		NAMEPLATE - Piper, Seneca II	2	34-7970001 and up
-73	67490-02	L	PLACARD - Electric pitch trim	1	
-74	757 459		PLACARD - Conduct trim check. see A F M (13A660)	1	
	763 418		PLACARD - Conduct trim check. see P O M. (13A660-1)	1	
-75	96734-00	E	PLACARD - Omni coupler switch	1	34-7570001 to 34-7970119 incl
	35669-126	E	PLACARD - Omni coupler switch	1	34-7970120 and up
-76	69669-40		PLACARD - Glide slope coupler	1	
-77	35669-106		PLACARD - Day V F R only	1	34-7970071 and up
-78	35669-154		PLACARD - Altitude reporter installed	1	34-7770001 and up
-79	35669-26		PLACARD - Caution	1	
-80	35669-27		PLACARD - Flap lever	1	
-81	35669-104		PLACARD - Table stowage	1	34-7970001 and up
-82	35669-105		PLACARD - E L T location	1	
-83	79315-00		PLACARD - Piper Aire	1	34-7970001 and up
-84	35669-101		PLACARD - Air cond door open	1	34-7970001 and up
-85	35669-98		PLACARD - Air conditioning control	1	34-7970001 and up
-86	35669-111		PLACARD - Take-off and landing operation	1	34-7970001 and up
-87	35669-112	K	PLACARD - Prop sync (Manual-Auto.)	1	34-7970001 to 34-807Q159 incl
	35669-186		PLACARD - Prop sync adjustment	1	34-8070160 and up
-88	35669-113		PLACARD - Circuit protector, prop sync	1	34-7970001 and up
-89	78237-00	F	PLACARD - Go around	1	34-7970001 and up
-90	69669-69		PLACARD - Windshield panel heat	1	34-7570001 to 34-7670393 incl
	69669-153		PLACARD - Windshield panel heat	1	34-7770001 and up
-91	69669-114	G	PLACARD - Warning	1	34-7970001 and up
-92	35669-137	H	PLACARD - Oxygen gauge light	1	34-8070001 and up
-93	35669-157	H	PLACARD - Oxygen	1	34-8070001 and up
-94	87369-27		PLACARD - Caution	1	34-7970488 and up
-95	35669-175		PLACARD - AutoPilot inoperative	1	34-8070001 and up
-96	35669-163		PLACARD - Fuel	1	
-97	35669-138		PLACARD - Emergency bus switch	1	34-8070102 and up
-98	87341-02		PLACARD - Do not push	2	
-99	87341-03		PLACARD - Level point	2	
-100	87341-04		PLACARD - No step	2	
-101	87334-02		PLACARD - Door release	1	
-102	87335-02		PLACARD - Door release	1	
-103	87339-02		PLACARD - Oil spec	2	
-104	87336-02		PLACARD - Static vents	2	
-105	35669-188		PLACARD - Transponder identifier	1	34-8170001 and up
-106	35669-17		PLACARD - Mike	2	34-7870001 and up
-107	69669-13		PLACARD - Seat back release, front left (vertically adjustable)	1	34-7570001 to 34-7570261 incl
-108	69669-14		PLACARD - Seat back release, front right (vertically adjustable)	1	34-7570001 to 34-7570261 incl

When ordering, always specify Part Number, Description and Serial Number of Aircraft

PIPER PARTS CATALOG

Figure and Index Number	Part Number	Code	NOMENCLATURE	No. Req.	SERIAL NUMBERS AFFECTED
89-109	87369-22		PLACARD - Hydraulic fluid spec	1	
-110	69669-107		PLACARD - Warning (ELT), Garrett	1	
-111	35669-132		PLACARD - Warning (ELT), Narco	1	
-112	69669-97		PLACARD - Radar altimeter On-Off	1	
-113	69669-95		PLACARD - Radar altimeter Off for take-off	1	
-114	69669-96		PLACARD - Radar altimeter	1	
-115	35669-25		PLACARD - Radar	1	34-7870001- and up
-116	87369-38	M	PLACARD - Electric pitch trim	1	
-117	87369-39	M	PLACARD - On-off	1	

When ordering, always specify Part Number, Description and Serial Number of Aircraft

PIPER PARTS CATALOG

CODE EXPLANATIONS FOR OPTIONAL EQUIPMENT KITS AND REPAIR KITS

- A - Less seat assembly See 7th Seat Installation, Figure 27. to order seat assembly required
- B - Includes External Power Connector Plug Assembly
- C - Used on Propeller Assemblies BHC-C2YF-2CKF/FC8459-8R and BHC-C2YF-2CLKF/FJC8459-8R
- D - Used on Propeller Assemblies BHC-C2YF-2CKUF/FC8459-8R and BHC-C2YF-2CLKUF/FJC8459-8R
- E - Refer to Figure 27B for component parts
- F - If Hartzell governors are presently installed, also order governor assembly P/N 463 201 (E8L) for right engine If Woodward governors are presently installed order governor assembly P/N 37845-03 (E-3) for left engine and P/N 463 201 (E8L) for right engine On aircraft with serial nos 34-7570001 to 34-7870474 incl. order Engine Control Cover Assy P/N 95808-08 color red, blue/green, gold, black, green, "bark I," or "bark II "
- G - Used with forward facing center seats only Not to be used with aft facing seats
- H - If aircraft is not equipped with a pilot operated boom mike switch (located on control wheel), order Boom Mike Installation Kit 764 044
- J - This Kit is less headphone assembly P/N 464 407 which must be ordered separately
- W - These parts must be ordered from Service Spares Department, Piper Aircraft, Lock Haven, Penna

PIPER PARTS CATALOG

Figure and Index Number	Part Number	Code	NOMENCLATURE	No. Req.	SERIAL NUMBERS AFFECTED
OPTIONAL EQUIPMENT KITS					
36734-02			CARD - Passenger briefing		
37686-00			PLOTTER ASSEMBLY - Weight and balance		34-7570001 to 34-7670113 incl
37852-03			PLOTTER ASSEMBLY - Weight and balance		34-7670114 and up
760 664	A.G		7TH SEAT INSTALLATION (HARDWARE ONLY)		34-7570001 to 34-7570054 incl
761 051	A.G		7TH SEAT INSTALLATION (HARDWARE ONLY)		34-7570055 to 34-7770147 incl
763 846	G		7TH SEAT INSTALLATION (HARDWARE ONLY)		34-7770148 and up
761 048			HEAVY DUTY BRAKES, WHEELS AND TIRES		
761 085	B		AUXILIARY POWER RECEPTACLE INSTALLATION		
761 030			PNEUMATIC DEICE SYSTEM INSTALLATION (Includes ice inspection light and heated stall warning)		
760 968			PROPELLER DEICE SYSTEM INSTALLATION (Two Blade)		34-7970001 and up
763 976			PROPELLER DEICE SYSTEM INSTALLATION (Three Blade)		34-7570001 to 34-7570162 incl
760 698			HEATED WINDSHIELD PANEL		34-7570163 and up
764 131			HEATED WINDSHIELD PANEL INSTALLATION		
470 925	E		OXYGEN SYSTEM INSTALLATION (For 7th Seat Installation)		
			OXYGEN SYSTEM INSTALLATION (For Club Seating)		
761 094			ENGINE PRIMER SYSTEM INSTALLATION		
761 049			OIL COOLER BAFFLE WINTERIZATION		34-7570001 to 34-7670140 incl
761 050			OIL COOLER BAFFLE WINTERIZATION		34-7670141 to 34-7670371 incl
763 804			OIL QUICK DRAIN INSTALLATION		
760 297			PITOT COVER		
763 968			SHOULDER HARNESS INSTALLATION - Passenger center seats		
763 969			SHOULDER HARNESS INSTALLATION - Passenger, rear seats		
764 029	F		PROPELLER SYNCHROPHASER INSTALLATION		
763 842			ELT REPLACEMENT (Garrett or Communications Components Corp. to Narco ELT 10)		
763 993			DOOR JAMB SNUBBER INSTALLATION		
764 094			JANITROL HEATER HOUR METER INSTALLATION		
764 041	H		FIXED OXYGEN SYSTEM INSTALLATION		34-8070001 and up
764 044	J		BOOM MIKE INSTALLATION		34-8070001 and up
REPAIR KITS					
756 739	C.W		PROPELLER REPAIR - (One propeller)		
761 100	D		PROPELLER REPAIR - (One propeller)		

When ordering, always specify Part Number, Description and Serial Number of Aircraft

NUMERICAL INDEX

Part Number	Figure and Index No.
14627-03	16-26
14627-03	17-4
14635-02	16-28
14635-02	17-6
14843-16	45-14
14843-90	16-37
14843-90	17-15
15660-02	70-4c
15661-02	70-4d
18132-00v	58-16
18132-00v	58-38
18219-00v	54C-11
18219-00v	58-15
18219-00v	58-39
18457-00	2-42a
19063-02	16-61
19063-02	17-57
19063-02	18-36
19063-02	19-10
19336-00	25-12
19336-00	25-41
19336-00	25-51
19336-00	26-35
19336-01	25-12
19336-01	25-41
19336-01	25-51
19336-01	26-35
19365-02	25-14
19365-02	25-43
19365-02	25-53
19365-02	26-37
19392-15	25-13
19392-15	25-42
19392-15	25-52
20754-02	46-2
20782-02	46-3
20784-00	43-5
20784-00	46-16
21176-00	16-58
21176-00	17-23
21176-00	19-8a
21478-00v	16-38
21478-00v	17-19
21822-00	45-35
21843-00	16-40
21843-00	17-17
21844-00	16-41
21844-00	17-18

Part Number	Figure and Index No.
22105-08v	54C-8
22105-08v	54C-9
22287-03	61-71
22482-00v	12-7
22482-00v	36-9
22482-00v	37B-33
23809-04	54-22
23809-07v	54-21
23969-02	76-8
23969-02	81B-17
23969-04v	76-4
23969-03	81B-18
23969-04v	76-9
24047-00v	59-10
24048-00v	59-11
24582-00v	54-23
25690-02	81-12
25690-02	81A-17
26749-07	29-1
26749-08	29-1
26749-09	31-6
26749-10	31-6
31637-02	79-4
31637-03	79-5
31997-00	79-2
32370-11	78-19
32370-24	31-13
33034-00	79-3
35158-02v	43-41
35207-00v	81B-24
35362-00v	31-16
35507-02v	21-35
35574-00v	30A-34
35664-02v	2-65
35664-02v	89-65
35669-11v	56-23
35669-11v	89-67
35669-12v	20-3
35669-12v	89-68
35669-13v	27B-10
35669-13v	89-69
35669-15v	28-49
35669-15v	89-71
35669-17v	70-37
35669-17v	89-105
35669-19v	89-10
35669-25v	87-9
35669-25v	89-115

Part Number	Figure and Index No.
35669-26v	43-43
35669-26v	89-79
35669-27v	69-56
35669-27v	89-80
35669-98v	28-28a
35669-98v	89-85
35669-99v	81B-25
35669-99v	89-6
35669-101v	74A-6
35669-101v	89-84
35669-104v	27B-26
35669-104v	89-81
35669-105v	82-19
35669-105v	82A-13
35669-105v	82B-12
35669-105v	89-82
35669-106v	75-17
35669-106v	89-77
35669-109v	81B-26
35669-109v	89-7
35669-111v	54C-15
35669-111v	89-86
35669-112v	54C-16
35669-112v	89-87
35669-113v	54C-17
35669-113v	89-88
35669-125v	89-52
35669-126v	81-6
35669-126v	81A-45
35669-126v	89-75
35669-132v	82B-11
35669-132v	89-111
35669-137v	37D-28
35669-137v	89-92
35669-138v	28-65
35669-138v	89-97
35669-141v	74-36
35669-141v	89-41
35669-151v	89-10
35669-153v	89-17
35669-154v	88-2
35669-154v	89-78
35669-157v	37D-29
35669-157v	89-93
35669-163v	63-36
35669-163v	89-96
35669-164v	21-11
35669-164v	89-24

Part Number	Figure and Index No.
35669-167v	81B-26
35669-167v	89-7
35669-173v	21-18a
35669-173v	89-31
35669-175v	81B-27
35669-175v	89-95
35669-186v	54C-16
35669-186v	89-87
35669-188v	70-42
35669-188v	89-105
35672-02v	85-11
35672-02v	86-11
35680-05v	28-53
35680-06v	28-54
35680-09v	28-59
35680-10v	28-60
35680-11v	28-57
35680-22	28-58
35680-22	28-60
35680-26v	28-55
35692-02v	30A-38
35725-02v	2-42b
35766-02v	74-55
35798-02v	28-16
36521-02v	19-13
36535-02v	29-1
36551-02v	21-6
36551-03v	21-7
36565-02v	12-50
36565-03v	12-49
36572-03v	16A-49a
36572-03v	17-51b
36588-04v	21-77
36589-04v	21-47
36590-02v	16A-41
36590-02v	17-46
36598-02v	16A-37
36629-02v	29-42
36636-02v	29-41
36639-02v	8-21
36660-02v	28-63
36722-04v	16A-60
36722-08v	17-77
36722-09v	17-78
36722-09v	18-42
36722-11v	18-41
36734-02v	Misc
36736-03v	35-14

PIPER PARTS CATALOG

Part Number	Figure and Index No.	Part Number	Figure and Index No.	Part Number	Figure and Index No.	Part Number	Figure and Index No.
36736-05v	32-28	36956-02v	37D-48	37120-00v	55-5	37190-00v	54-11
36736-07v	32-30	36957-04v	37D-44	37120-03v	55-5	37191-00v	4-28
36736-08v	35-15	36957-05v	37D-46	37121-00v	55-2	37191-01v	4-28
36800-02v	27B-25	36957-06v	37D-47	37122-00v	55-4	37206-00v	74-63
36801-02v	27B-27	36959-02v	37D-38	37123-00v	58-17	37206-02v	81B-22
36801-03v	27B-28	36960-06v	37D-37	37125-00v	55-3	37206-03v	81B-23
36802-02v	27B-30	36960-07v	37D-36	37126-00v	55-11	37207-00v	56-1
36803-02v	27B-29	36960-08v	37D-35	37138-02v	54-4	37207-14v	56-8a
36811-02v	37C-2	36960-09v	37D-34	37138-03v	54-4	37207-15v	56-8a
36812-02v	37C-5	36960-10v	37D-30	37138-04v	54-5	37207-20v	56-7
36812-03v	37C-5	36960-11v	37D-33	37138-05v	54-6	37207-22v	56-16
36812-04v	37C-6	36960-13v	37D-31	37142-00v	55-10	37207-23v	56-12
36812-05v	37C-6	36960-21v	37D-32	37161-00v	35-1	37207-100v	56-6
36812-06v	37C-7	36962-02v	37D-39	37161-01v	35-1	37207-101v	56-11
36812-07v	37C-7	36962-03v	37D-39	37161-02v	35-3	37207-104v	56-6
36813-03v	37C-8	36963-02v	37D-42	37161-03v	35-3	37207-107v	56-1
36819-00v	37C-31	36963-03v	37D-43	37161-04v	35-2	37207-802v	56-8a
36820-02v	37C-14	36965-02v	37D-27	37161-07v	35-2	37207-803v	56-8a
36821-02v	37C-20	36969-02v	88-3	37163-02v	14-48	37210-00v	5-13
36822-02v	37C-16	36970-02v	86-2	37163-11v	14.44	37214-00v	4-55
36822-03v	37C-17	36973-06v	86-1	37163-13v	14-46	37231-00v	9-3
36823-02v	37C-30	37021-00v	2-2	37163-15v	14-45	37235-00v	9-3
36825-02v	37C-29	37021-00v	3-1	37163-19v	14-50	37241-00v	2-10
36828-02v	37C-19	37021-01v	2-2	37164-02v	32-20	37241-09v	2-10
36834-02v	74A-7	37021-01v	3-1	37164-03v	32-21	37241-10v	2-10
36839-02v	9-12	37023-00v	2-4	37164-05v	32-14	37264-00v	5-2
36846-02v	9-14	37023-00v	3-33	37165-03v	35-10	37264-01v	5-2
36846-03v	9-14	37023-01v	2-4	37165-09v	35-11	37266-00v	5-6
36847-02v	28-25	37023-01v	3-33	37165-16v	35-7	37266-01v	5-6
36848-03v	28-29	37023-02v	3-34	37165-17v	35-7	37267-00v	5-7
36858-02v	26-44	37023-03v	3-34	37165-39v	35-6	37267-00v	5-8
36860-02v	37C-9	37027-00v	4-30	37165-46v	35-12	37267-01v	5-7
36862-02	37C-26	37027-01v	4-30	37165-47v	35-13	37267-01v	5-8
36864-02v	26-22	37030-00v	56-1	37165-54v	21-28	37268-00v	5-14
36865-02v	37C-18	37030-02v	56-2	37165-59v	35-8	37268-01v	5-14
36866-02v	37C-15	37030-03v	56-4	37165-60v	35-9	37268-02v	5-17
36867-02	37C-23	37030-14v	56-6a	37167-10v	36-6	37268-03v	5-17
36873-02v	9-3	37030-16v	56-5b	37167-17v	36-1	37269-00v	5-15
36873-03v	9-3	37032-03v	54-20	37167-19v	36-2	37269-01v	5-15
36873-04v	9-3	37032-04v	54-18	37167-21v	61-40	37271-00v	5-4
36873-05v	9-3	37032-25v	54-27	37167-23v	36-7	37271-01v	5-4
36873-06v	9-3	37032-26v	54-28	37167-25v	36-3	37272-00v	5-5
36873-07v	9-3	37032-27v	54-29	37167-32v	35-14	37272-01v	5-5
36875-05v	9-3	37093-03v	2-1	37167-33v	35-15	37277-00v	5-18
36881-16v	37C-4	37093-04v	2-1	37167-35v	36-4	37278-00v	5-9
36882-02v	74A-23	37093-05v	2-1	37167-37v	36-5	37278-01v	5-9
36884-02	37C-3	37093-06v	2-1	37167-42v	36-5	37279-00v	5-10
36890-04v	54C-12	37093-10v	2-1	37172-00v	3-7	37279-01v	5-10
36890-05v	54C-13	37093-11v	2-1	37172-01v	3-7	37280-00v	5-20
36890-07v	54C-21	37093-12v	2-1	37174-00v	5-12	37280-05v	5-20
36903-02v	74A-5	37093-13v	2-1	37174-01v	5-12	37281-00v	5-19
36905-02v	29-41	37096-00v	62-22	37175-00v	55-7	37281-02v	5-19
36935-04v	74-66	37102-00v	4-32	37175-03	55-7	37282-00v	5-3
36936-03v	74-65	37102-01v	4-32	37177-00v	55-8	37282-01v	5-3
36938-02v	27A-8	37105-00v	54-3	37178-00v	55-13	37283-00v	2-45
36938-03v	27A-8	37107-00v	54-31	37179-00v	55-12	37283-00v	5-1
36950-02v	37D-50	37112-00v	60-24	37187-00v	61-66	37283-01v	2-45
36951-02v	37D-49	37119-00v	55-1	37189-00v	55-9	37283-01v	5-1

PIPER PARTS CATALOG

Part Number	Figure and Index No.
37290-00v	64-6
37290-01v	64-6
37293-00v	64-5
37304-00v	2-5
37304-00v	4-1
37304-01v	2-5
37304-01v	4-1
37305-00v	4-16
37305-01v	4-16
37309-00v	4-22
37309-01v	4-22
37314-00v	4-9
37314-01v	4-9
37315-00v	4-23
37315-01v	4-23
37316-00v	4-25
37316-01v	4-25
37317-00v	4-27
37318-00v	4-26
37319-00v	4-11
37319-01v	4-11
37329-00v	2-50
37329-01v	2-50
37329-06v	2-49
37329-07v	2-49
37335-00v	2-49
37335-01v	2-49
37335-02v	2-48
37335-03v	2-48
37337-00v	28-15
37338-00v	28-17
37340-00v	28-18
37341-00v	28-13
37343-02v	62-12
37343-03v	62-12
37343-04v	62-11
37343-05v	62-11
37343-06v	62-10
37343-07v	62-10
37343-08v	62-8
37343-09v	62-8
37343-10v	62-7
37343-11v	62-7
37343-12v	62-2
37343-13v	62-2
37343-14v	62-1
37343-15v	62-1
37343-16v	62-5
37343-17v	62-5
37343-18v	62-4
37343-19v	62-4
37343-20v	62-13
37343-21v	62-14
37343-22v	62-15
37343-27v	62-9
37343-28v	62-9
37343-29v	29-37
37343-30v	29-37

Part Number	Figure and Index No.
37343-31v	54-12
37343-32v	62-17
37343-33v	62-16
37343-34v	62-18
37343-35v	31-30
37343-38v	30A-20
37343-39v	62-16
37343-64v	81B-6
37344-03	62-23
37352-00v	4-8
37352-01v	4-8
37353-00v	4-6
37353-01v	4-6
37355-00v	61-119
37359-02v	3-8
37359-03v	3-8
37360-00v	3-6
37360-01v	3-6
37361-00v	2-15
37361-02v	2-17
37362-00v	4-56
37364-00v	4-57
37365-00v	74-64
37366-00v	4-52
37366-01v	4-52
37369-00v	28-25
37370-00v	28-27
37370-02v	28-28
37370-05v	28-28
37370-06v	28-27
37371-00v	28-26
37372-00v	28-30
37378-00v	4-53
37378-01v	4-53
37378-02v	4-54
37378-03v	4-54
37380-00v	9-11
37385-00v	74-39
37386-00v	74-40
37388-00v	4-10
37388-01v	4-10
37389-00v	4-5
37389-01v	4-5
37390-02v	62-25
37394-00v	3-21
37398-00v	3-3
37398-01v	3-3
37399-00v	74-20
37402-00v	3-2
37402-01v	3-2
37404-00v	60-6
37404-01v	60-6
37405-00v	60-17
37408-00v	5-11
37408-01v	5-11
37409-00v	74-38
37410-00v	74-33
37412-00v	61-44

Part Number	Figure and Index No.
37415-00v	60-15
37416-00v	60-16
37417-00v	60-3
37417-01v	60-3
37418-00v	60-4
37418-01v	60-4
37419-00v	60-8
37419-01v	60-8
37420-00v	60-9
37422-00v	66-10
37423-00v	66-11
37424-00v	66-9
37427-00v	40-26
37430-00v	60-10
37430-01v	60-10
37431-00v	60-11
37432-00v	60-18
37432-01v	60-18
37433-00v	4-7
37433-01v	4-7
37437-00v	3-22
37437-01v	3-22
37441-00v	60-5
37441-01v	60-5
37442-00v	3-23
37442-01v	3-23
37443-00v	60-7
37443-03v	60-7
37443-04v	60-7
37445-00v	3-16
37445-01v	3-16
37448-00v	3-13
37448-01v	3-13
37449-00v	3-14
37449-01v	3-14
37451-00v	4-13
37451-01v	4-13
37458-00v	60-20
37459-00v	60-19
37459-01v	60-19
37462-00v	5-16
37463-00v	55-16
37464-00v	55-14
37467-00v	2-8
37467-01v	2-8
37467-01v	2-8
37467-05v	2-8
37471-02v	2-7
37471-03v	2-7
37471-04v	2-7
37471-05v	2-7
37474-00v	2-9
37476-00v	54-9
37476-02v	54-9
37478-00v	59-6
37479-00v	59-7
37487-00v	4-63
37489-00v	9-12

Part Number	Figure and Index No.
37490-00v	9-13
37491-00v	32-11
37493-00v	32-12
37511-02v	57-1
37511-03v	57-1
37511-05v	57-6
37511-08v	57-7
37511-11v	57-5
37511-15v	57-8
37511-18v	57-12
37511-26v	57-13
37511-29v	57-11
37511-30v	57-11
37511-32v	57-10
37511-35v	57-9
37511-37v	57-3
37511-38v	57-2
37511-40v	57-4
37512-00v	55-15
37520-00v	74-24
37523-00v	67-18
37526-00v	2-6
37526-00v	60-1
37526-01v	2-6
37526-01v	60-1
37526-04v	60-2
37526-05v	60-2
37526-11v	60-1
37526-12v	60-2
37526-15v	60-21
37526-16v	60-22
37526-24v	60-23
37526-34v	2-6
37526-34v	60-1
37526-35v	2-6
37526-35v	60-1
37554-00v	28-12
37556-00v	37-3
37558-00v	74-34
37559-00v	10-70
37576-00v	59-8
37576-01v	59-8
37577-00v	21-19
37578-02v	28-1
37578-03v	28-61
37578-04v	28-62
37584-00v	58-7
37586-00v	58-18
37587-00v	58-8
37598-00v	55-6
37627-00v	58-19
37629-00v	28-9
37629-02v	28-9
37633-00v	71-5
37633-02v	71-7
37635-03v	71-4
37638-06v	71-1
37641-05v	71-3

PIPER PARTS CATALOG

Part Number	Figure and Index No.
37643-00v	71-2
37647-00v	7-1
37647-02v	7-1
37647-903v	7-3
37647-904v	7-2
37647-904v	14-1
37647-905v	7-21
37647-906v	7-22
37647-906v	12-1
37647-907v	7-26
37647-907v	13-1
37647-908v	7-4
37647-909v	7-5
37647-909v	9-1
37647-910v	7-8
37647-910v	10-1
37647-911v	7-16
37647-911v	11-1
37647-923v	7-3
37647-927v	7-26
37647-927v	13-1
37647-981v	13-14
37648-02v	74-56
37655-00v	13-55
37656-00v	54-32
37657-00v	54-33
37658-00v	54-10
37658-01v	54-10
37659-00v	61-67
37661-03v	89-44
37662-00v	19-24
37663-00v	19-25
37664-00v	19-26
37666-00v	19-22
37686-00v	Misc
37693-04v	85-1
37694-02v	85-2
37695-00v	74-62
37695-04v	74-62
37702-00v	79-7
37703-00v	79-14
37704-00v	31-54
37704-18v	31-61
37710-00v	54C-6
37710-00v	78-23
37710-00v	78A-6
37711-00v	31-18
37713-00v	31-19
37714-00v	31-20
37715-00v	31-26
37716-00v	31-27
37718-00v	73-37
37719-00v	31-21
37722-02v	49-16
37722-03v	49-19
37732-00v	46-10
37732-01v	74A-8
37736-00v	14-33

Part Number	Figure and Index No.
37737-00v	7-24
37737-900v	7-24
37738-900v	7-23
37739-900v	7-25
37741-02v	3-32b
37745-02v	63-8
37745-02v	63-20
37753-00v	73-52
37753-02v	73-52
37756-00v	74-54
37758-00v	74-55
37765-02v	63-10
37765-02v	63-22
37765-02v	63-23
37766-02v	3-30
37766-03v	3-30
37770-02v	2-3
37770-02v	3-29
37770-03v	2-3
37770-03v	3-29
37772-02v	28-43
37773-02v	2-46
37773-02v	6-1
37773-03v	2-46
37773-03v	6-1
37773-04v	6-23
37780-02v	63-29
37787-02v	3-30a
37788-02v	63-35
37791-02v	30A-7
37793-02v	20-19
37794-02v	61-131
37795-02v	2-33
37796-02v	27A-3
37797-02v	27A-6
37799-02v	27A-1
37799-02v	27B-1
37799-03v	27A-2
37799-04v	27A-5
37799-05v	27A-8
37799-10v	27A-1
37799-10v	27B-1
37799-11v	27A-2
37799-12v	27A-5
37799-13v	27A-8
37799-16v	27A-1
37799-16v	27B-1
37799-17v	27A-1
37799-17v	27B-1
37813-02v	88-3
37823-02v	27A-4
37823-07v	27A-4
37824-02v	2A-7
37825-07v	27B-32
37829-03v	27B-24
37833-02v	58-38
37834-02v	27B-13
37835-02v	27B-14

Part Number	Figure and Index No.
37839-02v	27B-15
37840-02v	27A-4
37845-03v	54-9
37845-03v	54C-1
37845-04v	54-9
37850-02v	27B-21
37852-03v	Misc
37853-02v	21-61
37858-02v	61-64
37871-04v	73-62
37871-05v	73-61
37873-02v	73-63
37902-02v	26-14
37902-06v	26-14
37902-08v	26-8
37902-09v	26-8
37904-02v	87-6
37906-02v	87-5
37918-02v	87-8
37919-02v	87-4
37970-02v	42-36
37974-02v	89-72
37976-02v	89-44
37997-02v	23-6
37997-02v	37B-5
38149-00v	74-51
38224-00v	28-19
38224-02v	28-19
38255-02v	73-55
39709-02v	81B-35
39710-02v	81B-36
39789-02v	37D-42
41001-03	65-4
41001-04v	65-3
41001-05	67-13
41001-10v	64-10
41001-10v	65-3
41001-10v	67-9
43020-00	77-3
43022-00	77-5
48629-00v	89-50
50111-00	69-15
61402-71v	80-13
61402-71v	81A-51
62002-04v	38-19
62019-04v	70-5
62022-04v	3-15
62022-05v	3-15
62024-00v	3-35
62024-01v	3-35
62033-00v	63-2
62033-00v	63-3
62033-00v	63-15
62044-00v	63-5
62044-00v	63-16
62091-02v	3-25
62109-00v	2-22
62109-00v	31-17

Part Number	Figure and Index No.
62109-00v	40-30
62127-00v	6-4
62127-01v	6-4
62129-07v	4-51
62129-08v	4-51
62221-00v	12-3
62279-00v	73-34
62324-00v	6-17
62324-01v	6-17
62327-00v	6-18
62327-02v	6-19a
62328-00v	6-11
62328-00v	6-12
62328-01v	6-11
62328-01v	6-12
62331-00v	6-13
62331-01v	6-13
62332-00v	6-14
62332-02v	6-14
62336-01v	6-21
62336-04v	6-21
62343-00	89-36
62355-02	76-1
62355-08v	76-3
62413-00v	14-21
62413-01v	14-21
62414-00v	14-22
62414-01v	14-22
62420-08v	10-33
62420-10v	10-33
62420-11v	7-13
62421-00v	12-47
62421-01v	12-47
62441-03v	12-9
62441-04v	12-9
62443-06v	14-10
62444-04v	14-12
62445-03v	14-13
62451-02v	14-26
62452-00v	14-27
62452-01v	14-27
62455-02v	14-38
62471-00v	14-30
62505-00v	10-58a
62506-00v	10-72
62506-00v	11-16
62506-03v	10-73
62506-04v	10-74
62506-05v	11-34
62510-00v	7-15
62511-02v	10-11
62522-00v	9-18
62528-00v	12-2
62528-01v	12-2
62532-00v	13-44
62532-01v	13-44
62542-00v	9-25
62542-01v	9-25

PIPER PARTS CATALOG

Part Number	Figure and Index No.
63633-140v	32-17
63633-148v	23-11
63633-155v	23-13
63633-170v	84A-3
63744-09v	15-4
63744-10v	18-40
63744-11v	49-23
63779-00v	69-18
63781-00v	69-9
63782-03v	69-17
63782-04v	69-8
63882-29v	49-14
63882-41v	64-22
63882-42v	76-11
63882-54v	30-53
63882-67v	68-26
63890-07v	36-8
63900-11v	46-48
63900-19v	2-30
63900-20v	2-29
63900-25v	17-70
63900-28v	20-17
63900-28v	21-55
63900-31v	64-33
63900-31v	67-7
63900-36v	67-8
63900-38v	69-27
63900-38v	88-10
63900-39v	69-28
63900-46v	10-64
63900-47v	10-69
63900-48v	10-68
63900-50v	16-14
63900-50v	16A-44
63900-61v	66-20
63900-61v	68-22
63900-62v	68-24
63900-64v	9-36
63900-66v	80-12
63900-66v	81A-50
63900-73v	31-25
63900-79v	18-33
63900-81v	18-13
63900-82v	18-14
63900-85v	45-36
63900-89v	45-15
63900-103v	46-49
63900-115v	46-47
63900-119v	64-17
63900-121v	66-17
63900-130v	45-12
63900-131v	50-49
63900-133v	27-6
63900-136v	18-33
63900-145v	25-69
63900-145v	49-15
63900-146v	25-67
63900-147v	25-65

Part Number	Figure and Index No.
63900-149v	25-66
63900-149v	27-10
63900-149v	27B-19
63900-157v	66-14
63900-163v	79-10
63901-09v	53-28
63901-09v	53A-25
63901-09v	53A-27
63901-17v	46-38
63901-25v	62-19
63901-28v	51-13
63901-28v	53-27
63901-28v	53-29
63901-28v	53A-28
63901-29v	51-14
63901-30v	51-15
63901-30v	53A-26
63901-36v	62-20
63901-38v	61-17
63901-41v	62-20
63901-70v	53-30
63901-71v	61-10
63901-76v	51-12
63901-76v	61-16
63901-81v	62-19
63902-23v	53-8
63902-31v	53A-7
63904-12v	61-11
63904-24v	4-58
63904-61v	61-46
63904-81v	32-16
63904-82v	32-15
63904-84v	32-16
63904-85v	32-15
63904-86v	29-39
63904-102v	37A-3
63913-01v	31-53
63913-07v	29-11
63913-07v	29-15
63913-12v	81B-9
63913-34v	30-3
63913-34v	30A-3
63913-36v	81A-61
63913-42v	29-17
63913-48v	50-30
63913-49v	81B-7
63913-55v	31-58
63913-58v	29-13
63913-58v	29-22
63913-67v	30-32
63913-76v	16A-47
63913-87v	29-19
63913-87v	81B-28
63913-88v	29-20
63913-88v	81B-29
63913-90v	23-15
63913-91v	23-14
63913-92v	61-14

Part Number	Figure and Index No.
63913-93v	61-15
63913-96v	50-31
63913-106v	30-34
63913-106v	30A-33
63913-108v	30-52
63913-112v	61-13
63913-115v	88-6
63913-118v	54-14
63913-119v	29-21
63913-119v	29-21b
63913-119v	54-15
63913-124v	29-14
63913-125v	31-31
63913-127v	29-16
63913-128v	29-18
63913-134v	29-12
63913-135v	29-23
63913-140v	61-122
63913-141v	61-123
63913-142v	61-124
63913-145v	54-44
63913-146v	54-44
63913-155v	31-64
63913-158v	29-21a
63913-170v	29-21b
63913-171v	29-18
63913-176v	54-15
63913-179v	31-58
63913-186v	54-47
63913-191v	81B-8
63913-199v	37B-32
63914-07v	50-22
63927-00v	9-35
63942-00v	2-66
63942-01v	2-66
65003-10v	15-8
65003-27v	49-12
65003-29v	65-21
65003-30v	53-41
65003-30v	53A-39
65003-36v	61-74
65003-41v	45-50
65003-44v	45-18
65003-47v	64-16
65003-53v	61-72
65003-55v	29-44
65114-00v	14-18
65119-00v	13-41
65119-01v	13-41
65122-00v	10-53
65126-00v	12-48
65126-01v	12-48
65165-91v	30-33
65165-91v	30A-28
65165-93v	30-27
65192-11v	83-7
65246-02v	68-11
65254-02v	68-31

Part Number	Figure and Index No.
65318-00v	32-9
65440-07v	18-27
65440-10v	27B-31
65461-07v	21-39
65461-19v	21-39
65494-02v	14-52
65546-00v	21-45
65546-04v	21-45
65556-00v	13-29
65556-02v	13-29
65586-00v	6-3
65586-01v	6-3
65586-02v	6-4a
65586-03v	6-4a
65587-00v	6-9
65588-00v	6-8
65589-00v	6-7
65592-00v	6-10
65592-01v	6-10
65593-00v	6-22
65593-01v	6-22
65594-00v	6-9
65594-01v	6-9
65595-00v	6-24
65595-01v	6-24
65656-00v	12-29
65656-01v	12-29
65692-02v	18-39
65727-00v	17-72
65741-00v	15-7
65742-00v	15-6
65773-02v	2-51
65773-03v	2-26
65773-03v	38-16
65782-00v	15-9
65865-00v	21-60
65866-02v	21-61
65868-00v	21-62
65869-00v	21-63
65870-00v	21-64
65871-00v	21-65
65896-00v	15-5
65896-02v	15-5
65898-00v	4-59
65898-01v	4-59
65898-04v	4-61
65899-00v	6-20
66529-00v	4-31
66537-00v	7-11
66546-00v	70-31
66598-00v	4-12
66598-01v	4-12
66616-02v	73-47
66618-03	43-38
66632-00v	73-30
66632-02v	73-30
66641-00v	16-39
66641-00v	17-16

PIPER PARTS CATALOG

Part Number	Figure and Index No.
66647-00v	16-45
66648-00v	16-46
66652-13v	16-2
66654-00v	16-30
66654-00v	17-8
66710-16v	17-62
66710-16v	21-26
66710-16v	27B-7
66710-17v	16-55
66710-17v	16A-3
66710-17v	21-26
66710-17v	27B-7
66710-44v	16-56a
66710-44v	16A-5
66710-44v	17-63
66710-44v	21-27a
66713-00v	31-59
66713-00v	31-60
66762-00v	4-29
66769-00v	14-29
66773-00v	59-12
66774-00v	59-14
66787-00v	21-74
66787-00v	89-21a
66788-12v	21-38
66788-14v	21-38
66789-00v	54C-10
66804-00v	20-15
66804-00v	21-53
66805-00v	20-16
66805-00v	21-54
66815-00v	63-18a
66817-00v	63-18
66820-00v	46-14
66838-00v	83-20
66838-00v	89-39
66848-04v	16-59
66913-04v	16-3
66914-03v	16-3
66965-00v	13-27
66980-00v	37-15
67012-00v	43-20
67012-00v	46-7
67023-00v	46-8
67023-01v	74A-9
67024-00v	45-23
67024-01v	45-23
67025-02v	45-13
67025-05v	45-11
67025-06v	45-11
67026-05v	46-12a
67026-06v	45-52
67026-07v	43-4
67026-07v	46-12b
67026-07v	46-36
67026-10v	46-12a
67026-12v	45-52
67028-00v	45-24

Part Number	Figure and Index No.
67031-02v	45-22
67031-03v	45-22
67036-00v	46-15
67037-04v	46-13
67037-06v	46-13
67040-12v	45-2
67040-13v	45-2
67042-12v	45-6
67065-00v	4-65
67071-00v	2-42c
67071-01v	2-42c
67079-00v	4-41
67079-01v	4-41
67090-10v	49-21
67090-11v	49-21
67091-00v	49-20
67092-00v	49-16
67092-02v	49-19
67093-04v	49-22
67093-05v	49-22
67095-00v	4-18
67095-01v	4-18
67097-02v	4-39
67097-03v	4-39
67128-00v	9-8
67130-00v	9-14a
67130-02v	9-14a
67135-03v	50-23
67137-00v	50-25
67138-03v	50-27
67164-00v	2-24
67164-01v	2-24
67193-03v	70-28
67198-00v	45-45
67202-00v	45-34
67203-00v	45-37
67218-00v	59-13
67277-00v	46-40
67356-201v	49-13
67357-00v	49-11
67358-00v	49-10
67360-00v	49-9
67363-00v	49-8
67404-02v	74A-19
67404-03v	74A-20
67411-02v	73-9
67411-04v	73-9
67411-05v	73-11
67411-08v	73-13
67411-20v	73-11
67422-04v	74-11
67422-05v	74-12
67422-06v	74-13
67422-07v	74-14
67422-11v	74-15
67422-12v	74-25
67422-14v	74-26
67422-15v	74-27

Part Number	Figure and Index No.
67422-16v	74-28
67422-21v	74-28
67431-00v	28-35
67431-04v	28-35
67431-04v	28-60
67436-04v	74-21
67436-06v	74-22
67437-00v	74-23
67439-00v	74-45
67462-06v	28-21
67463-00v	70-3
67471-00v	83-16
67471-00v	89-37
67487-02v	73-56
67490-02v	80-21
67490-02v	81A-53
67490-02v	89-73
67491-00v	70-2a
67494-00v	81-16
67494-01v	81-16
67502-00v	45-55
67522-02v	53-5
67549-00v	50-33
67600-00v	53-59
67670-00v	4-45
67670-01v	4-45
67673-00v	4-48
67677-02v	4-43
67677-03v	4-43
67687-00v	4-47
67687-01v	4-47
67689-02v	4-40
67689-03v	4-40
67694-00v	4-46
67700-149v	54-12
67700-161v	53A-13
67700-162v	53A-14
67700-189v	29-40
67700-193v	61-35
67700-311v	54-48
67700-393v	81B-10
67703-00v	89-1
67723-00v	2-25
67723-01v	2-25
67753-00v	46-11
67755-00v	43-22
67755-00v	46-4
67758-00v	43-9
67797-04v	45-17
67797-05v	45-17
67926-12v	46-9
67926-13v	46-9
67926-14v	46-9
67926-15v	46-9
67958-02v	25-46a
67958-02v	25-58
67958-02v	26-55
67968-02v	21A-1

Part Number	Figure and Index No.
67968-03v	21A-1
67968-04v	21A-2
67968-05v	21A-2
67968-06v	21A-3
67968-07v	21A-3
67968-08v	21A-4
67968-09v	21A-4
67968-10v	21A-5
67968-11v	21A-5
67969-02v	21A-18
67969-03v	21A-17
67969-04v	21A-16
67969-05v	21A-9
67969-07v	21A-11
67969-08v	21A-10
67969-09v	21A-13
67969-10v	21A-12
67969-11v	21A-15
67969-12v	21A-14
67970-02v	27B-16
67977-02v	87-7
67978-02v	87-3
67982-03v	37A-11
67982-04v	37A-12
67984-02v	70-35
67995-02v	56-11
67995-07v	56-13
67995-08v	56-14
67996-08v	2-9
67998-00v	56-1
67998-02v	56-2
67998-03v	56-4
68014-00v	7-36
68022-14v	25-71
68022-14v	27-8
68022-14v	27B-16
68068-00v	25-44
68068-00v	25-54
68068-00v	27-4
68090-06v	24-16
68090-07v	24-16
68090-14v	24-16
68090-15v	24-16
68090-16v	24-16
68090-17v	24-16
68091-06v	24-17
68091-07v	24-17
68091-14v	24-17
68091-15v	24-17
68093-00v	24-25
68093-00v	24-29
68094-00v	24-34
68094-03v	24-18
68094-03v	24-20
68094-03v	24-26
68094-03v	24-34
68096-00v	24-19
68096-00v	24-21

PIPER PARTS CATALOG

Part Number	Figure and Index No.
68096-00v	24-27
68146-00v	81A-60
68149-00v	81A-33
68174-00v	17-32
68176-02v	17-41
68176-03v	17-41
68178-03v	17-44
68179-00v	16-10
68179-00v	16A-45
68179-02v	16-11
68179-02v	16A-46
68179-03v	17-43
68179-04v	17-42
68179-05v	17-43
68179-06v	17-42
68179-07v	16A-45
68179-08v	16A-46
68180-00v	16-8
68186-02v	17-40
68187-00v	17-24
68188-00v	16-25
68188-00v	17-3
68198-00v	76-7
68223-00v	10-61
68225-00v	10-60
68252-00v	9-16
68253-00v	9-20
68254-02v	9-17
68257-00v	9-23
68258-04v	9-22
68258-06v	9-22
68272-02v	9-5
68272-03v	9-7
68272-04v	9-4
68273-02v	9-6
68293-02v	15-25
68297-00v	15-30
68297-01v	15-34
68300-00v	15-35
68301-00v	15-37
68303-00v	15-38
68306-00v	15-13
68306-02v	15-13
68306-03v	15-13
68306-04v	15-13
68307-00v	10-18
68308-00v	10-17
68315-00v	10-34
68315-01v	10-34
68316-00v	10-3
68316-02v	10-4
68316-03v	10-4
68319-00v	10-59
68319-00v	11-15
68320-00v	10-5
68320-03v	10-5
68322-00v	10-52
68323-00v	10-56

Part Number	Figure and Index No.
68323-01v	10-56
68324-00v	10-55
68325-00v	10-7
68325-02v	10-7
68326-00v	10-8
68327-00v	10-10
68328-02v	10-35
68330-06v	10-47
68331-00v	10-9
68331-01v	10-9
68332-00v	10-37
68333-00v	10-38
68333-01v	10-38
68335-00v	10-39
68336-00v	10-29
68336-01v	10-29
68338-00v	10-43
68339-00v	10-44
68340-00v	10-42
68341-00v	10-40
68342-04v	10-12
68342-05v	10-12
68342-10v	10-12
68342-11v	10-12
68343-02v	10-40
68344-00v	10-54
68346-01v	10-45
68347-00v	10-77
68349-00v	10-36
68351-00v	10-42
68352-01v	10-14
68352-03v	10-14
68353-00v	11-14
68357-01v	11-3
68359-00v	11-4
68362-00v	10-75
68363-00v	10-76
68364-00v	10-46
68364-00v	11-7
68369-00v	11-18
68369-01v	11-18
68370-01v	11-9
68371-00v	11-5
68371-01v	11-5
68372-00v	11-2
68373-00v	11-6
68373-01v	11-6
68374-00v	11-10
68375-00v	11-11
68380-00v	11-23
68381-00v	10-45
68382-00v	10-13
68382-02v	10-13
68414-03v	68-3
68415-00v	21-57
68432-04v	39-18
68432-05v	39-18
68433-03v	39-25

Part Number	Figure and Index No.
68440-00v	83-14
68441-00v	83-12
68451-02v	69-1
68452-03v	69-2
68486-00v	68-5
68488-02v	68-30
68495-02v	21-58
68503-00v	12-62
68503-01v	12-62
68506-00v	12-69
68507-02v	12-10
68508-02v	12-35
68508-02v	12-35
68509-02v	12-37
68509-03v	12-37
68510-00v	12-46
68510-01v	12-46
68537-00v	12-31
68538-00v	12-36
68547-04v	18-26
68555-05v	16-51
68555-05v	16A-55
68555-05v	17-75
68555-05v	89-19
68557-00v	70-19
68601-14v	13-14
68601-15v	7-26
68601-15v	13-1
68602-00v	7-29
68602-01v	7-29
68603-00v	13-40
68604-04v	13-32
68605-00v	13-45
68605-01v	13-45
68606-00v	13-39
68606-01v	13-39
68607-03v	13-33
68608-02v	13-16
68608-03v	13-16
68609-04v	13-23
68609-05v	13-23
68611-00v	24-30
68612-00v	13-25
68613-00v	24-32
68613-800v	27B-36
68613-801v	27B-36
68615-04v	13-2
68616-03v	13-3
68617-02v	13-7
68618-00v	13-8
68619-00v	13-5
68619-01v	13-5
68621-02v	13-4
68621-03v	13-4
68623-05v	13-13
68625-02v	13-17
68625-03v	13-17
68632-00v	13-37

Part Number	Figure and Index No.
68632-01v	13-37
68632-05v	13-37a
68634-00v	13-42
68634-01v	13-42
68637-00v	13-38
68637-01v	13-38
68638-01v	13-50
68638-02v	13-50
68639-00v	13-51
68640-02v	13-52
68640-03v	13-52
68641-00v	13-36
68641-01v	13-36
68642-00v	13-46
68642-01v	13-46
68643-00v	13-43
68643-01v	13-43
68644-00v	13-53
68645-00v	12-67
68645-02v	12-67
68647-00v	13-18
68647-01v	13-18
68649-03v	13-34
68653-00v	13-30
68653-01v	13-30
68654-00v	13-31
68654-01v	13-31
68655-00v	13-35
68655-02v	13-35
68656-00v	13-22
68657-00v	13-40
68678-00v	13-47
68687-03v	21-6
68687-06v	21-7
68688-04v	15-19
68688-05v	15-19
68699-00v	9-37
68699-12v	59-15
68699-13v	59-16
68739-00v	68-4
68778-00v	62-24
68803-00v	19-20
68803-00v	89-22
68817-35v	4-66
68870-18v	54C-7
68908-00v	32-8
68923-06v	35-4
68923-07v	35-4
68963-00v	18-7
68963-00v	18-8
68964-00v	18-12
68966-00v	11-8
68967-00v	11-19
68969-05v	21-40
68970-00v	11-29
68971-00v	11-28
68972-00v	13-54
68974-00v	11-20

PIPER PARTS CATALOG

Part Number	Figure and Index No.
68975-00v	13-28
68976-00v	18-2
68978-00v	18-5
68980-00v	18-4
68981-00v	18-6
68984-00v	11-3
68985-00v	11-27
68986-02v	11-30
68986-03v	11-35
68991-00v	14-41
68999-08v	18-32
69011-00v	58-20
69012-00v	58-21
69015-19v	31-57
69015-41v	61-12
69042-00v	30-50
69042-00v	30A-9
69042-02v	30-50
69042-02v	30A-9
69066-00v	27-2a
69067-00v	27-3a
69067-09v	27-3a
69067-10v	27-3a
69074-05v	54-24
69077-00v	70-16
69104-06v	7-16
69104-06v	11-1
69105-02v	11-12
69105-03v	11-13
69112-00v	18-3
69161-00v	81A-41
69162-00v	81A-42
69163-00v	81A-34
69188-00v	21-46
69188-03v	21-46
69189-00v	21-51
69219-00v	15-50
69220-04v	15-46
69220-05v	15-46
69220-18v	15-45
69220-19v	15-45
69220-22v	15-1
69220-23v	15-1
69220-24v	15-1
69220-25v	15-1
69224-00v	16-27
69224-00v	17-5
69328-00v	28-41
69329-00v	28-33
69368-00v	21-80
69403-03v	21-41
69518-06v	28-32
69541-00v	9-27
69619-03v	37B-21
69642-00v	15-28
69643-00v	15-32
69644-00v	15-36
69659-00v	28-30

Part Number	Figure and Index No.
69669-02v	31-42
69669-02v	89-45
69669-09v	21-12
69669-09v	89-25
69669-13v	26-3a
69669-13v	89-107
69669-14v	26-3b
69669-14v	89-108
69669-22v	89-2
69669-23v	89-3
69669-26v	23-3
69669-26v	89-33
69669-38v	21-13
69669-38v	89-26
69669-39v	28-44
69669-39v	89-4
69669-40v	81A-46
69669-40v	89-76
69669-41v	89-5
69669-43v	31-42
69669-43v	89-45
69669-46v	89-6
69669-47v	89-7
69669-48v	89-8
69669-49v	74-36
69669-49v	89-41
69669-50v	89-9
69669-51v	89-9
69669-52v	89-13
69669-53v	89-10
69669-54v	89-10
69669-65v	89-51
69669-66v	82-12
69669-66v	82A-8
69669-66v	89-49
69669-67v	46-5
69669-67v	89-35
69669-68v	89-17
69669-69v	79-12
69669-69v	89-90
69669-70v	89-18
69669-72v	89-12
69669-73v	89-12
69669-75v	30-56
69669-75v	30A-55
69669-75v	89-62
69669-80v	19-23
69669-80v	89-59
69669-81v	19-32
69669-81v	89-53
69669-95v	85-9
69669-95v	86-7
69669-95v	89-113
69669-96v	85-10
69669-96v	86-8
69669-96v	89-114
69669-97v	85-8
69669-97v	86-6

Part Number	Figure and Index No.
69669-97v	89-112
69669-99v	21-10
69669-99v	89-23
69669-100v	89-52
69669-101v	28-45
69669-101v	28-46
69669-101v	89-54
69669-102v	74-53
69669-102v	89-55
69669-106v	74-52
69669-106v	89-56
69669-107v	82-15
69669-107v	89-110
69669-110v	25-81
69669-110v	89-57
69669-113v	21-10
69669-113v	89-23
69669-114v	85-13
69669-114v	86-9
69669-114v	89-91
69669-115v	21-36
69669-115v	89-32
69669-117v	16A-57
69669-117v	89-19a
69669-118v	16A-58
69669-118v	89-19a
69669-119v	28-47
69669-119v	89-16
69669-129v	89-15
69669-130v	89-9
69669-132v	89-1
69669-141v	89-11
69669-147v	89-51
69669-148v	19-15
69669-148v	89-20
69669-149v	89-13
69669-153v	79-12
69669-153v	89-9
69669-156v	30-6
69669-156v	89-63
69669-173v	76-2
69669-173v	89-36
69669-174v	28-47
69669-174v	89-16
69669-175v	89-43
69669-179v	78-35
69669-179v	89-40
69669-183v	74-59
69669-183v	89-66
69669-186v	28-48
69669-186v	89-70
69676-00v	28-37
69691-00v	7-9
69692-00v	7-14
69694-00v	7-11
69695-00v	7-14
69696-00v	7-32
69697-00v	10-50

Part Number	Figure and Index No.
69698-00v	10-78
69698-01v	10-78
69699-00v	7-8
69699-00v	10-1
69700-00v	15-26
69701-00v	15-27
69701-01v	15-31
69704-00v	15-11
69704-02v	15-11
69704-03v	15-11
69704-04v	15-11
69705-00v	15-12
69705-02v	15-12
69705-03v	15-12
69705-04v	15-12
69706-00v	18-23
69706-02v	18-23
69706-03v	18-23
69706-04v	18-23
69707-00v	15-14
69707-02v	15-14
69707-03v	15-14
69707-04v	15-14
69708-00v	15-29
69709-00v	15-24
69710-00v	15-33
69711-02v	7-3
69712-00v	15-3
69712-02v	15-3
69712-03v	15-3
69712-04v	15-3
69713-00v	15-2
69713-02v	15-2
69713-03v	15-2
69713-04v	15-2
69714-00v	15-40
69714-01v	18-17
69715-00v	15-42
69716-00v	15-41
69717-00v	15-39
69718-00v	11-26
69719-00v	11-25
69720-00v	11-24
69721-00v	18-20
69722-00v	18-11
69723-00v	18-15
69724-00v	18-16
69725-00v	18-18
69726-00v	18-19
69738-00v	10-6
69739-00v	10-2
69740-00v	10-32
69740-02v	10-32
69746-02v	22-2
69746-12v	22-2
69746-13v	22-2
69746-13v	37B-17
69746-15v	22-2

PIPER PARTS CATALOG

Part Number	Figure and Index No.
69746-15v	37B-17
69748-00v	10-46
69748-00v	22-9
69749-04v	22-3
69749-08v	22-3
69750-00v	37B-18
69751-00v	22-5
69751-06v	22-5
69785-00v	63-17
69813-00v	22-1
69816-03v	28-29
69843-00v	9-14
69858-02v	18-1
69859-03v	18-24
69859-07v	18-24
69881-02v	7-38
69881-03v	7-37
69885-00v	23-31
69885-02v	23-22
69885-02v	23-38
69885-03v	23-33
69885-03v	23-39
69885-12v	23-37
69888-00v	10-3
69888-02v	10-4
69888-03v	10-4
69891-02v	10-33
69891-03v	10-33
69891-04v	10-33
69891-05v	10-33
69891-06v	10-33
69891-07v	10-33
69891-08v	10-33
69891-09v	10-33
69895-04v	7-6
69895-05v	7-6
69895-902v	7-6
69895-903v	7-6
69897-00v	7-28
69897-900v	7-28
69898-00v	7-27
69898-900v	7-27
69899-00v	7-10
69899-900v	7-10
69902-00v	7-12
69902-900v	7-12
69903-00v	7-17
69903-900v	7-17
69904-00v	7-30
69907-00v	7-19
69907-01v	7-19
69907-900v	7-19
69907-903v	7-19
69911-00v	7-18
69911-900v	7-18
69912-00v	7-31
69931-02v	28-32
69971-02v	11-32

Part Number	Figure and Index No.
69971-02v	11-33
69989-02v	22-2
69989-02v	37B-17
69989-03v	22-2
69989-03v	37B-17
69989-07v	37D-26
69989-08v	37D-26
69990-02v	22-3
69990-02v	37B-18
69991-02v	22-5
69991-02v	37B-21
69991-04v	37D-41
69991-07v	37D-41
69992-02v	23-26
70371-02	23-35
70371-02	37-18
70371-03	23-35
70371-03	37-18
72091-00v	63-4
76169-02v	26-31
76172-03v	26-19
76175-00v	26-18
76175-03v	25-7
76176-00v	25-16
76176-00v	26-30
76176-02v	25-82
76178-00v	25-18
76187-00v	25-20
76187-00v	26-43
76189-04v	25-19
76221-00v	21-72
76221-00v	21-72
76255-00v	7-13
76308-00v	23-2
76343-00v	26-23
76347-00v	26-20
76347-01v	26-20
76351-02v	26-24
76351-03v	26-25
76445-00v	26-9
76467-04v	10-27a
76474-03v	7-20
76474-903v	7-20
76498-02v	28-30
78001-00v	66-3a
78009-0v	20-12
78012-00v	10-51
78022-00v	2-47
78022-01v	2-47
78022-14v	2-70
78022-15v	2-70
78022-20v	2-71
78022-23v	2-71
78034-00v	42-43
78039-00v	30-12
78039-00v	30A-5
78041-00v	25-36
78041-00v	25-46

Part Number	Figure and Index No.
78041-00v	26-3
78041-00v	26-10
78041-02v	25-57
78041-08v	25-36
78041-08v	26-3
78041-09v	25-36
78041-09v	25-46
78041-09v	26-3
78041-09v	26-10
78041-10v	25-57
78042-02v	21-21
78042-02v	89-28
78044-00v	25-73
78046-00v	2-55
78054-02v	21-68
78057-00v	15-21
78085-07v	17-66
78085-13v	17-66
78086-00v	15-44
78086-00v	17-52
78108-02v	27-1
78108-03v	27-2
78108-04v	27-3
78108-07v	27-3
78108-09v	27-1
78108-10v	27-3
78108-12v	27-1
78108-14v	27-1
78108-15v	27-2
78108-16v	27-3
78109-04v	28-31
78111-00v	10-58
78114-00v	9-10
78115-00v	30-47
78115-00v	30A-50
78117-00v	21-71
78118-00v	21-71
78123-00v	10-67
78124-00v	21-36
78124-00v	89-32
78130-00v	12-25a
78131-00v	12-25b
78132-00v	21-22
78132-01v	21-22
78134-00v	30-54
78140-190v	73-60
78140-191v	73-60
78148-00v	79-1
78150-00v	79-13
78159-00v	4-64
78176-00v	39-19
78180-02v	79-8
78233-04v	81B-1
78234-00v	81B-4
78237-00v	81B-3
78237-00v	89-89
78271-03v	15-1
78271-04v	15-1

Part Number	Figure and Index No.
78271-05v	15-1
78271-06v	15-1
78293-00v	34-18
78298-04v	73-46
78309-00v	4-50
78309-01v	4-50
78320-13v	21-9
78320-14v	21-9
78322-00v	13-15
78332-00v	38-4
78334-00v	42-32
78337-00v	37-16
78338-00v	37-14
78339-00v	37-5
78349-04v	15-16
78349-08v	15-17
78349-10v	15-16
78349-11v	15-18
78349-12v	15-17
78349-14v	15-15
78349-15v	15-15
78349-23v	15-16
78349-25v	15-17
78355-03v	32-5
78355-03v	34-1
78355-05v	32-4
78355-05v	33-1
78361-00v	26-26
78362-00v	26-21
78362-01v	26-21
78379-00v	37-6
78380-00v	37-8
78381-00v	37-4
78381-01v	37-4
78398-00v	13-56
78399-00v	14-42
78407-00v	14-49
78410-00v	14-51
78411-00v	14-43
78442-00v	32-13
78442-03v	32-13
78443-00v	14-4
78444-00v	32-10
78447-00v	19-21
78475-04v	4-3
78475-05v	4-3
78490-00v	42-25
78535-00v	43-15
78536-00v	61-70
78536-01v	61-70
78537-00v	42-26
78541-00v	42-24
78543-00v	42-23
785447-00v	12-65
78559-00v	4-4
78559-01v	4-4
78574-00v	2-33
78574-01v	2-33

PIPER PARTS CATALOG

Part Number	Figure and Index No.
78582-00v	12-61
78582-01v	12-61
78584-00v	65-20
78587-00v	21-70
78603-00v	23-20
78604-00v	23-21
78606-00v	14-39
78608-02v	14-36
78608-03v	14-40
78609-00v	14-25
78611-00v	38-4
78612-00v	14-19
78615-00v	4-17
78615-01v	4-17
78619-00v	4-20
78619-01v	4-20
78622-00v	4-14
78622-01v	4-14
78624-00v	3-24
78629-03v	23-27
78631-00v	2-16
78637-00v	23-24
78638-00v	15-47
78652-00v	40-27
78677-00v	42-2
78713-00v	59-19
78716-02v	45-29
78717-02v	45-51
78720-02v	45-17
78720-03v	45-17
78721-02v	45-11
78721-03v	45-11
78722-02v	45-16
78723-13v	45-1
78723-13v	46-1
78723-14v	45-1
78723-14v	46-1
78726-02v	56-18
78726-03v	56-18
78726-10v	56-18
78726-11v	56-18
78746-02v	89-72
79009-00v	87-2
79033-00v	82-11
79035-00v	23-28
79038-00v	62-26
79040-00v	16-59
79040-02v	16-59
79125-00v	28-42
79125-01v	28-42
79152-00v	83-32
79152-02v	83-32
79154-00v	15-51
79155-00v	15-51
79160-00v	83-31
79162-00v	10-28
79171-02v	15-20
79171-13v	15-20

Part Number	Figure and Index No.
79174-02v	2-53
79174-04v	2-54
79192-00v	23-1
79205-00v	81B-34
79207-00v	25-6
79207-00v	26-41
79209-05v	16-1
79209-11v	16-42
79228-00v	25-31
79228-00v	26-6
79229-00v	25-17
79229-00v	26-27
79230-00v	25-13
79230-00v	26-28
79234-00v	10-49
79235-00v	25-22
79235-00v	26-29
79236-05v	24-3
79236-14v	24-1
79236-15v	24-1
79236-16v	24-4
79236-17v	24-2
79236-18v	24-2
79236-19v	24-8
79236-20v	24-8
79236-21v	24-10
79236-22v	24-10
79236-23v	24-12
79236-24v	24-12
79236-26v	24-13
79246-00v	22-7
79246-01v	22-7
79246-02v	22-8
79246-04v	22-7
79246-05v	22-7
79246-06v	22-8
79246-07v	22-8
79246-08v	22-17
79246-09v	22-17
79251-00v	25-23
79251-00v	26-32
79264-00v	23-10
79275-00v	70-2
79276-00v	70-1
79281-00v	23-17
79282-00v	23-18
79284-00v	23-22
79285-00v	23-23
79286-00v	23-16
79290-00v	14-20
79293-06v	23-40
79296-11v	15-48
79296-24v	10-33
79296-25v	10-33
79296-26v	10-33
79296-27v	10-33
79303-00v	23-19
79314-00v	28-36

Part Number	Figure and Index No.
79314-02v	28-36
79315-00v	89-83
79322-04v	25-19
79322-05v	25-19
79337-16v	25-30
79337-16v	25-45
79337-16v	25-55
79337-16v	26-2
79337-17v	25-30
79337-17v	26-2
79337-18v	25-64
79337-19v	25-1
79337-20v	25-1
79337-25v	25-2
79337-26v	25-2
79337-27v	25-30
79337-27v	25-45
79337-27v	25-55
79337-27v	26-2
79337-28v	25-30
79337-28v	26-2
79337-39v	25-2
79337-40v	25-2
79337-41v	25-64
79337-45v	25-1
79337-46v	25-1
79381-00v	28-19a
79404-00v	21-73
79405-00v	84A-1
79430-00v	51-11
79434-00v	16-29
79434-00v	17-7
79436-00v	25-44
79436-00v	25-54
79436-00v	27-4
79440-00v	24-22
79440-00v	24-24
79440-00v	24-28
79440-02v	24-24
79440-02v	24-28
79442-00v	25-11
79442-00v	25-39
79442-00v	25-49
79442-00v	26-42
79445-00v	21-50
79455-00v	21-43
79456-00v	21-44
79463-00v	82-16
79463-00v	82B-8
79463-02v	82A-7
79475-05v	16A-9
79475-07v	16A-11
79475-08v	16A-12
79475-09v	16A-13
79475-34v	16A-38
79475-55v	16A-9
79475-56v	16A-9
79475-57v	16A-9

Part Number	Figure and Index No.
79475-910v	16A-10
79479-02v	25-47
79479-07v	25-47
79479-08v	25-48
79479-11v	25-48
79479-12v	25-47
79479-14v	25-47
79479-15v	25-48
79479-17v	25-48
79515-03v	16A-17
79515-05v	16A-18
79515-07v	16A-21
79515-08v	16A-22
79515-13v	16A-16
79515-15v	16A-23
79515-35v	16A-15
79525-00v	28-32
79530-02v	16A-24
79532-02v	16A-27
79540-00v	26-15
79540-01v	25-15
79540-02v	26-15
79540-03v	26-15
79542-05v	16A-6a
79542-14v	16A-6
79542-15v	16A-6
79544-02v	16A-7
79545-04v	16A-1
79547-00v	7-15
79553-00v	9-18
79553-01v	9-23
79554-02v	25-35a
79554-02v	26-3c
79555-00v	25-30a
79555-00v	25-45a
79555-00v	25-56
79555-00v	26-4
79555-01v	25-30a
79555-01v	26-4
79557-00v	15-49
79560-00v	81-19
79561-03v	7-13
79561-03v	10-26
79561-04v	10-27
79561-05v	10-21
79561-06v	10-20
79561-07v	10-23
79561-08v	10-24
79561-901v	10-19
79561-902v	10-25
79561-903v	10-22
79562-00v	15-23
79563-903v	7-7
79563-906v	7-7
79564-00v	9-12
79571-03v	28-29
79583-02v	13-30
79583-03v	13-30

PIPER PARTS CATALOG

Part Number	Figure and Index No.
79592-02v	26-1
79592-03v	26-1
79592-04v	26-1
79592-05v	26-1
79594-00v	16-31
79594-00v	17-9
79595-19v	73-64
79599-00v	82B-9
79600-00v	28-37a
79633-02v	25-48a
79633-15v	25-48a
79636-00v	84C-5
79636-04v	81A-72
79636-04v	88-5
79647-02v	16A-34
79650-02v	28-22
79653-19v	76-10
79666-02v	81B-37
79670-02v	28-32
76971-02v	28-32
79681-02v	24-17
79681-03v	24-17
79688-00v	89-58
79702-02v	21A-6
79702-02v	21A-10
79702-03v	21A-12
79702-06v	21A-8
79702-06v	21A-14
79702-08v	21A-7
79721-10v	21A-1
79721-11v	21A-1
79721-12v	21A-2
79721-13v	21A-2
79721-14v	21A-3
79721-15v	21A-3
79721-16v	21A-4
79721-17v	21A-4
79721-18v	21A-5
79721-19v	21A-5
79747-00v	13-31
79747-01v	13-31
79749-03v	25-29
79749-07v	25-60
79749-08v	25-61
79750-00v	27B-2
79762-02v	82A-5
79764-02v	25-64
79764-04v	25-64
79770-11v	27B-9
79778-02v	27B-35
79781-02v	24-22
79781-02v	24-24
79781-02v	24-27
79792-02v	26-21
79792-03v	26-21
79800-02v	46-3
79800-03v	46-3
79805-05v	24-33

Part Number	Figure and Index No.
79818-02v	25-2a
79818-03v	25-2a
79837-02v	21-47
79839-03v	37B-24
79840-04v	37B-29
79846-02v	53A-53
79847-02v	53A-52
80012-04v	65-22
80012-105v	67-5
80122-88	43-18
80122-88	46-24
80122-89	46-22
81262-68	16-32
81262-68	17-10
81342-18v	37-18
82732-72	61-73
82732-76	69-37
82732-76	70-33
83302-43	16-33
83302-43	17-11
86062-86	43-39
86092-96v	37C-36
86102-33v	68-23
86238-50v	53A-10
86238-51v	53A-11
86238-52v	53A-15
86238-53v	53A-12
86652-05v	84A-8
86700-09v	65-5
86700-13v	68-25
86700-30v	45-33
87262-02v	28-32
87329-07v	16A-14
87329-10v	19-8
87329-11v	17-61
87332-02v	25-3
87332-02v	26-36
87334-02v	16-78
87334-02v	16A-62
87334-02v	89-101
87335-02v	17-81
87335-02v	89-102
87336-02v	30-5
87336-02v	30A-60
87336-02v	89-104
87339-02v	56-26
87339-02v	89-103
87341-02v	38-33
87341-02v	89-98
87341-03v	89-99
87341-04v	2-69
87341-04v	89-100
87369-22v	53-1a
87369-22v	53A-1a
87369-22v	89-109
87369-27v	28-64
87369-27v	89-94
87369-30v	23-3

Part Number	Figure and Index No.
87369-38v	80-19
87369-38v	81A-52b
87369-38v	89-116
87369-39v	80-20
87369-39v	81A-52c
87369-39v	89-117
87379-02v	28-9
87429-02v	79-9
87736-02v	35-7
95022-00v	3-17
95022-01v	3-17
95028-00v	3-12
95028-01v	3-12
95033-00v	3-18
95033-01v	3-18
95061-04v	3-19
95061-08v	27B-37
95061-09v	27B-12
95061-20v	42-37
95061-24v	42-38
95061-25v	42-39
95061-27v	43-16
95061-28v	42-22
95061-29v	42-12
95061-30v	42-13
95061-31v	42-14
95061-32v	42-2b
95061-39v	67-4
95061-40v	66-15
95061-44v	65-7
95061-44v	66-16
95061-45v	66-17
95061-45v	67-6
95061-45v	68-21
95061-54v	64-18
95061-59v	64-14
95061-64v	45-46
95061-64v	49-7
95061-71v	64-15
95061-76v	69-38
95061-82v	58-22
95061-83v	58-23
95061-89v	42-31
95061-90v	25-68
95061-93v	61-117
95061-94v	61-75
95061-106v	25-4
95061-106v	26-34
95061-112v	66-19
95061-113v	66-21
95061-114v	66-18
95061-115v	81A-50
95061-118v	58-24
95061-118v	81A-51
95061-122v	71-9
95061-124v	67-3
95061-153v	27A-12
95061-157v	27B-20

Part Number	Figure and Index No.
95061-161v	25-9
95061-161v	26-33
95061-180v	25-83
95067-00v	63-8
95067-00v	63-20
95068-00v	63-23
95070-00v	2-43
95070-00v	63-14
95070-01v	2-43
95070-01v	63-14
95070-06v	2-43
95070-06v	63-14
95070-07v	2-43
95070-07v	63-14
95071-00v	2-44
95071-00v	63-1
95071-01v	2-44
95071-01v	63-1
95071-06v	2-44
95071-06v	63-1
95071-07v	2-44
95071-07v	63-1
95095-00v	3-4
95095-01v	3-4
95098-00v	3-5
95098-01v	3-5
95101-10v	7-1
95103-09v	7-4
95104-07v	7-21
95111-00v	14-8
95120-02v	7-7
95120-03v	7-7
95120-12v	7-5
95120-12v	9-1
95121-03v	9-2
95124-00v	12-11
95124-01v	12-11
95125-00v	9-2a
95136-03v	58-6
95136-03v	59-1
95137-00v	59-9
95138-00v	59-4
95139-00v	59-5
95144-06v	9-32
95148-02v	59-17
95152-02v	10-57
95152-03v	10-57
95152-04v	10-57
95153-02v	50-34
95153-10v	53-24
95153-11v	53-25
95153-19v	30-18
95153-19v	30A-16
95153-20v	30-13
95153-20v	30A-10
95153-20v	81B-5
95153-21v	30-14
95153-23v	53-12

PIPER PARTS CATALOG

Part Number	Figure and Index No.
95153-24v	53-26
95153-29v	61-38
95153-31v	30-19
95153-31v	30A-17
95153-32v	30-20
95153-32v	30A-18
95153-34v	50-35
95153-37v	30-22
95153-38v	30-23
95153-39v	53-9
95153-39v	53A-8
95153-40v	53-10
95153-40v	53A-9
95153-41v	53-11
95153-43v	53-13
95153-44v	53-14
95153-45v	53-15
95153-45v	53A-16
95153-46v	53-16
95153-46v	53A-17
95153-47v	53-17
95153-47v	53A-18
95153-48v	53-18
95153-48v	53A-19
95153-49v	53-19
95153-49v	53A-20
95153-50v	53-20
95153-50v	53A-21
95153-51v	53-21
95153-51v	53A-22
95153-52v	53-22
95153-52v	53A-23
95153-73v	53-23
95153-73v	53A-24
95153-74v	50-36
95153-75v	50-37
95153-76v	50-38
95153-77v	50-39
95153-78v	30-26
95153-79v	30-13
95153-79v	30A-10
95153-82v	62-3
95153-83v	62-6
95153-84v	62-3
95153-85v	62-6
95153-94v	30-16
95153-94v	30A-13
95153-95v	30-25
95153-95v	30A-23
95153-96v	30-28
95153-96v	30A-24
95153-98v	30-30
95153-98v	30A-26
95153-99v	30-23
95153-99v	30A-21
95153-100v	30-24
95153-101v	30-31
95153-101v	30A-27

Part Number	Figure and Index No.
95153-103v	30-21
95153-103v	30A-19
95153-105v	30-29
95153-105v	30A-25
95153-106v	30-51
95153-107v	30-17
95153-108v	30-15
95153-110v	61-39
95153-111v	61-23
95153-112v	61-24
95153-113v	61-25
95153-114v	61-26
95153-115v	61-22
95153-119v	32-14
95153-127v	53-12b
95153-128v	53-12a
95153-129v	50-32
95153-136v	61-28
95153-137v	61-32
95153-138v	61-33
95153-139v	61-34
95153-140v	61-34
95153-141v	61-35
95153-141v	61-35
95153-142v	61-35
95153-143v	61-29
95153-144v	61-30
95153-145v	61-30
95153-146v	61-37
95153-148v	61-43
95153-149v	61-42
95153-150v	61-41
95153-152v	61-27
95153-153v	61-31
95153-154v	61-36
95153-156v	31-22
95153-157v	31-23
95153-158v	30-19
95153-158v	30A-17
95153-159v	31-28
95153-160v	131-29
95153-161v	53-13
95153-162v	53-14
95153-164v	61-125
95153-165v	61-125
95153-166v	61-126
95153-167v	61-121
95153-168v	30A-11
95153-169v	30A-12
95153-170v	30A-29
95153-171v	30A-30
95153-172v	30A-22
95153-173v	30A-31
95153-174v	30A-32
95153-175v	30A-15
95153-176v	30A-14
95153-181v	62-52
95160-10v	7-22

Part Number	Figure and Index No.
95160-10v	12-1
95160-11v	7-23
95160-12v	7-25
95161-00v	12-32
95164-00v	12-71
95164-01v	12-71
95169-02v	50-29
95170-00v	50-28
95181-00v	21-56
95201-02v	73-15
95203-00v	76-11
95204-02v	74-35
95204-02v	89-40
95213-00v	73-39
95213-02v	73-39
95228-00v	22-10
95232-00v	73-17
95236-03v	83-8
95238-00v	83-17
95238-00v	85-38
95264-00v	40-24
95266-00v	68-17
95270-11v	73-59
95270-82v	73-58
95270-83v	73-57
95270-84v	73-57
95297-00v	53-60
95299-02v	45-51
95313-00v	42-10
95350-00v	12-28
95350-01v	12-28
95382-00v	3-11
95382-01v	3-11
95383-00v	3-10
95383-01v	3-10
95385-04v	72-1
95386-00v	72-5
95387-00v	43-17
95394-00v	42-9
95395-00v	42-16
95406-00v	12-25
95441-02v	72-12
95504-00v	69-6
95507-00v	16-71
95507-00v	16A-54
95507-05v	16A-54
95520-02v	41-24
95520-02v	41-27
95520-03v	41-25
95520-04v	38-3
95520-04v	41-1
95521-03v	41-15
95522-00v	41-16
95523-00v	41-11
95524-00v	41-9
95525-00v	41-7
95530-02v	40-3
95530-03v	40-3

Part Number	Figure and Index No.
95530-05v	38-2
95530-05v	40-1
95531-00v	40-14
95532-00v	40-6
95536-00v	40-22
95538-00v	40-11
95539-00v	40-19
95540-03v	38-18
95542-00v	14-9
95546-03v	14-6
95551-23v	42-7
95554-00v	12-14
95555-00v	12-70
95556-00v	66-3
95561-00v	65-12
95562-00v	65-13
95563-02v	40-16
95564-00v	12-24
95567-00v	41-26
95570-00v	41-12
95573-03v	66-6
95582-00v	9-15
95586-00v	9-19
95594-00v	14-11
95599-02v	12-13
95599-03v	12-13
95612-00v	4-33
95612-01v	4-33
95613-00v	4-34
95613-01v	4-34
95614-01v	2-3
95614-01v	3-29
95614-02v	3-30
95614-03v	3-30
95614-06v	2-3
95614-06v	3-29
95618-04v	4-49
95618-05v	4-49
95619-02v	3-31
95619-02v	3-36
95619-03v	3-31
95619-03v	3-36
95620-07v	38-7
95621-05v	4-21
95621-06v	4-21
95623-05v	4-15
95623-06v	4-15
95626-00v	4-36
95626-01v	4-36
95627-02v	4-24
95628-00v	3-32
95628-00v	3-37
95633-00v	2-42
95635-00v	40-9
95636-00v	4-2
95636-01v	4-2
95640-00v	3-9
95640-01v	3-9

PIPER PARTS CATALOG

Part Number	Figure and Index No.
95643-06v	2-11
95643-06v	45-48
95643-07v	2-11
95643-07v	45-48
95643-08v	2-11
95643-08v	45-48
95643-09v	2-11
95643-09v	45-48
95650-00v	2-46
95650-00v	6-1
95650-01v	2-46
95650-01v	6-1
95651-00v	6-2
95651-01v	6-2
95652-00v	6-19
95653-00v	6-6
95654-00v	6-5
95660-00v	6-15
95660-01v	6-15
95660-02v	6-15
95660-02v	6-16
95660-03v	6-15
95660-03v	6-16
95666-00v	4-38
95666-00v	12-23
95666-01v	4-38
95666-01v	12-23
95668-00v	4-19
95668-01v	4-19
95675-00v	64-19
95697-00v	3-20
95700-00v	7-34
95700-00v	8-1
95700-13v	8-1
95700-13v	87-1
95707-00v	8-3
95707-01v	8-3
95712-04v	42-4
95713-04v	42-1
95713-04v	43-1
95715-00v	43-3
95720-00v	43-11
95723-05v	43-8
95724-02v	9-28
95727-00v	43-2
95732-00v	12-41
95733-00v	12-40
95734-06v	12-38
95739-00v	20-1
95740-03v	12-64
95741-00v	53-3
95741-00v	53A-3
95742-00v	20-25
95744-02v	19-13a
95744-03v	8-25
95744-04v	8-20
95745-00v	8-12
95746-00v	8-11

Part Number	Figure and Index No.
95747-00v	8-13
95748-00v	8-14
95748-01v	8-14
95749-00v	8-13
95759-07v	42-8
95760-00v	8-9
95762-00v	19-33
95767-00v	8-4
95769-02v	8-24
95769-03v	8-24
95769-04v	8-5
95769-05v	8-10
95770-00v	49-6
95771-00v	49-5
95772-00v	49-1
95772-02v	49-3
95774-00v	8-15
95775-00v	8-16
95784-00v	8-17
95790-00v	19-14
95791-13v	20-18
95799-00v	14-37
95799-01v	14-37
95804-02v	21-17
95805-00v	21-15
95805-00v	89-30
95807-00v	21-16
95808-08v	21-14
95825-02v	12-43
95826-02v	12-44
95828-00v	9-24
95828-02v	9-24
95829-00v	42-5
95833-00v	9-30
95834-00v	9-29
95850-00v	40-17
95852-00v	39-12
95853-00v	38-12
95853-01v	38-12
95853-02v	38-13
95853-03v	38-13
95855-00v	39-2
95855-01v	39-2
95856-00v	39-3
95856-01v	39-3
95857-00v	39-9
95859-00v	39-13
95860-00v	39-5
95860-01v	39-5
95863-00v	39-4
95863-02v	39-4
95864-00v	38-10
95864-01v	38-10
95864-02v	38-11
95865-00v	38-14
95865-01v	38-14
95866-00v	38-1
95866-00v	39-1

Part Number	Figure and Index No.
95866-02v	39-22
95871-00v	39-20
95877-04v	72-10
95882-00v	72-6
95885-00v	72-11
95887-06v	14-40
95887-10v	7-2
95887-10v	14-1
95887-12v	14-2
95888-00v	14-28
95893-20v	21-8
95893-21v	21-8
95903-00v	40-15
95904-00v	40-21
95907-00v	38-6
95908-13v	38-5
95913-00v	40-5
95914-00v	12-15
95916-00v	40-25
95916-01v	40-25
95923-00v	10-41
95924-00v	12-68
95925-00v	12-10
95929-00v	12-22
95936-00v	12-39
95939-00v	14-23
95939-01v	14-23
95940-00v	14-24
95940-01v	14-24
95942-02v	65-8
95944-00v	14-7
95961-00v	21-20
95961-00v	89-27
95962-00v	40-12
95963-00v	40-8
95964-00v	40-10
95965-00v	40-7
95967-02v	40-13
95968-00v	40-2
95978-00v	89-13
95980-00v	14-14
95982-00v	40-4
95991-00v	68-6
95991-01v	68-6
95996-00v	68-16
95996-01v	68-16
95999-00v	68-7
96001-00v	68-9
96002-00v	68-32
96003-00v	68-13
96004-00v	4-35
96004-01v	4-35
96005-00v	4-37
96005-01v	4-37
96008-00v	66-4
96032-00v	2-13
96032-01v	2-13
96033-00v	2-14

Part Number	Figure and Index No.
96033-01v	2-14
96037-02v	61-68
96039-02v	61-57
96041-00v	12-34
96044-00v	37-9
96061-00v	58-11
96061-01v	58-11
96080-00v	58-9
96085-00v	61-56
96085-02v	61-56
96086-00v	12-20
96163-00v	58-41
96163-01v	58-41
96166-00v	53-61
96166-00v	53A-54
96167-00v	53-31
96167-00v	53A-29
96178-00v	42-11
96185-00v	64-7
96186-00v	12-51
96188-00v	13-21
96200-00v	41-28
96200-01v	41-28
96202-00v	41-8
96203-00v	41-10
96209-00v	41-13
96212-00v	41-17
96213-02v	41-21
96217-00v	41-23
96219-00v	41-3
96229-00v	41-3
96230-00v	41-2
96231-00v	41-6
96232-00v	41-5
96233-00v	41-4
96234-00v	41-14
96235-00v	41-22
96240-00v	77-1
96241-00v	77-4
96260-00v	12-27
96260-01v	12-27
96263-02v	20-4
96264-00v	13-48
96265-00v	65-9
96268-03v	29-10
96269-00v	68-18
96272-00v	21-48
96272-00v	89-21
96273-00v	19-15
96273-00v	89-20
96274-00v	43-34
96274-00v	89-34
96281-02v	58-42
96281-03v	58-12
96282-00v	12-21
96283-00v	58-14
96284-00v	20-5
96285-00v	20-6

PIPER PARTS CATALOG

Part Number	Figure and Index No.
96287-00v	20-8
96288-00v	63-9
96288-00v	63-21
96296-00v	21-16
96296-00v	89-31
96308-00v	4-42
96308-01v	4-42
96314-00v	13-20
96318-00v	20-2
96318-02v	20-26
96319-00v	41-18
96321-00v	41-19
96330-00v	12-45
96331-02v	20-22
96331-02v	21-67
96331-03v	20-21
96331-03v	21-66
96332-00v	68-15
96333-00v	12-60
96333-01v	12-60
96334-00v	12-59
96334-01v	12-59
96338-04v	38-9
96338-08v	38-8
96339-00v	12-42
96339-01v	12-42
96349-00v	12-4
96349-01v	12-4
96352-02v	2-61
96352-03v	2-60
96364-00v	8-18
96374-00v	8-19
96381-02v	2-23
96392-02v	30-1
96392-02v	30A-1
96393-02v	30-1
96393-02v	30A-1
96453-00v	58-10
96453-01v	58-10
96459-00v	4-44
96459-01v	4-44
96463-00v	20-10
96464-00v	20-11
96467-00v	20-9
96474-00v	50-19
96476-00v	50-40
96479-02v	68-39
96482-00v	68-37
96485-00v	12-57
96485-01v	12-57
96486-00v	12-58
96486-01v	12-58
96489-03v	12-56
96501-00v	61-45
96501-02v	61-120
96502-00v	20-14
96522-00v	42-18
96525-00v	73-40

Part Number	Figure and Index No.
96525-02v	73-41
96534-00v	39-10
96540-00v	81A-59
96542-03v	81A-14
96544-00v	38-15
96545-00v	39-23
96546-00v	89-60
96548-00v	89-61
96551-00v	39-8
96552-00v	39-11
96555-02v	21-23
96555-03v	21-23
96555-04v	21-23
96555-05v	21-23
96555-06v	21-23
96555-07v	21-23
96556-00v	39-6
96556-01v	39-6
96562-00v	39-14
96564-00v	39-29
96574-00v	68-12
96583-00v	21-11
96592-00v	73-50
96596-00v	40-28
96596-02v	68-14
96597-00v	73-45
96599-00v	73-43
96600-00v	73-42
96601-00v	73-44
96602-00v	76-15
96602-00v	89-43
96603-00v	21-24
96603-00v	89-29
96611-00v	25-15
96611-01v	25-15
96612-00v	80-5
96612-00v	81A-35
96613-00v	80-6
96613-00v	81A-36
96615-00v	80-8
96615-00v	81A-48
96616-00v	80-9
96616-00v	81A-49
96625-00v	4-67
96625-00v	4-69
96650-00v	61-70
96650-01v	61-70
96671-02v	53-1
96671-02v	53A-1
96681-00v	69-41
96681-01v	69-41
96684-00v	12-53
96691-00v	37-7
96697-00v	24-33
96697-04v	24-33
96700-00v	12-63
96700-01v	12-63
96700-04v	12-63

Part Number	Figure and Index No.
96700-05v	12-63
96706-02v	53-4
96717-00v	58-13
96720-00v	59-2
96721-00v	59-3
96727-00v	74-37
96727-00v	89-42
96727-02v	74-37
96727-02v	89-42
96729-00v	74-44
96729-01v	74-44
96730-00v	74-43
96734-00v	81-6
96734-00v	81A-45
96734-00v	89-75
96765-00v	25-2a
96765-01v	25-2a
96766-16v	45-1
96766-16v	46-1
96766-17v	45-1
96766-17v	46-1
96790-02v	42-55
96795-00v	9-33
96795-01v	9-33
96796-02v	32-6
96798-00v	32-7
96801-00v	21-37
96803-00v	20-7
96803-02v	20-7
96806-10v	25-2
96806-11v	25-2
96806-17v	25-64
96806-22v	25-30
96806-22v	26-2
96806-26v	25-64
96810-02v	25-30a
96810-03v	25-30a
96810-03v	26-4
96827-02v	25-37
96827-03v	25-37
96827-04v	25-47
96827-05v	25-47
96827-06v	25-38
96827-07v	25-38
96827-08v	25-48
96827-09v	25-48
96827-13v	25-37
96827-14v	25-37
96827-15v	25-47
96827-16v	25-47
96827-17v	25-38
96827-18v	25-38
96827-19v	25-48
96827-20v	25-48
96827-24v	25-37
96827-25v	25-37
96827-26v	25-38
96827-27v	25-38

Part Number	Figure and Index No.
96827-31v	25-38
96827-32v	25-38
96827-33v	25-37
96827-34v	25-37
96835-00v	28-24
96838-00v	28-23
96841-07v	30-35
96842-02v	21-35
96844-00v	3-32a
96844-00v	3-38
96844-02v	3-26
96846-00v	30-7
96849-00v	42-34
96851-00v	11-17
96853-00v	89-11
96859-00v	42-36
96860-00v	53-46
96860-00v	53A-44
96863-00v	16-57
96863-06v	17-20
96864-00v	16-74
96864-00v	17-22
96866-00v	21-25
96867-00v	42-35
96868-00v	16-21
96868-00v	17-60
96869-00v	16-20
96870-00v	16-19
96871-00v	63-7
96871-01v	63-7
96872-03v	16-5
96876-00v	9-31
96877-00v	12-16
96877-01v	12-16
96878-00v	12-17
96878-01v	12-17
96880-00v	13-9
96884-00v	12-72
96884-01v	12-72
96885-00v	13-19
96885-01v	13-19
96887-00v	12-52
96890-02v	12-33
96890-03v	12-33
96894-00v	59-21
96895-00v	59-20
96896-00v	12-66
96896-02v	13-49
96897-00v	12-55
96898-04v	28-14
96898-05v	28-14
96902-00v	53-2
96902-00v	53A-2
96906-00v	8-7
96908-00v	25-70
96908-00v	27-9
96908-00v	27B-17
96914-02v	8-6

PIPER PARTS CATALOG

Part Number	Figure and Index No.
96917-00v	8-2
96917-00v	19-1
96918-00v	19-8
96919-00v	16-6
96921-03v	21-69
96921-06v	21-69
96925-00v	66-5
96926-00v	2-27
96926-00v	2-34
96927-00v	2-35
96928-00v	8-8
96934-00v	19-3
96935-00v	19-7
96937-03v	19-4
96938-02v	19-5
96939-04v	19-6
96943-00v	19-2
96954-02v	74-42
96954-03v	78-42
96955-00v	74-41
96967-00v	63-29
96968-00v	12-30
96970-00v	61-55
96970-01v	61-55
96975-00v	61-62
96976-00v	61-60
96976-02v	61-61
96977-00v	61-58
96978-00v	80-7
96978-00v	81A-37
96981-06v	17-1
96981-08v	17-1
96981-10v	17-1
96984-00v	17-59
96986-00v	11-31
96987-03v	89-14
96988-07v	89-15
96988-08v	89-15
96988-09v	89-15
96991-00v	17-54
96993-02v	17-38
96994-00v	70-4
96994-03v	70-4
96995-06v	17-2
96996-00v	17-51
96998-00v	20-13
96999-00v	17-21
97328-00v	61-63
97464-04v	61-65
97499-04v	62-21
97499-19v	61-18
97499-19v	61-19
97499-20v	61-19
97499-20v	61-19a
97499-21v	61-20
97499-22v	61-21
97499-30v	61-18
98400-00v	54-34

Part Number	Figure and Index No.
98487-00v	61-47
98489-02v	61-2
98490-02v	61-3
99002-06v	28-4
99010-02v	28-8
99031-00v	75-14
99059-06v	28-32
99060-06v	28-32
99061-06v	28-32
99062-06v	28-32
99064-06v	28-32
99066-06v	28-32
99069-00v	17-33
99069-02v	17-33
99069-03v	17-33
99069-04v	17-33
99070-00v	17-34
99077-00v	25-38a
99077-01v	25-38a
99077-02v	25-48a
99077-03v	25-48a
99077-16v	25-38a
99077-17v	25-38a
99130-02v	73-2
99139-00v	24-22
99140-00v	24-19
99140-00v	24-21
99140-00v	27B-33
99141-03v	24-18
99141-03v	24-20
99141-03v	27B-34
99142-00v	24-23
99214-00v	28-50
99344-00v	84-7
99377-02v	74-1
99377-03v	74-2
99377-06v	74-3
99377-07v	76-16
99377-08v	74-4
99377-09v	74-5
99377-11v	74-6
99377-13v	74-7
99377-15v	74-8
99377-26v	30-48
99377-26v	30A-51
99377-29v	74-1
99377-34v	78-19
99377-34v	78A-14
99377-35v	31-13
99377-61v	37-12
99377-62v	37-13
99395-00v	83-11
99395-00v	84-1
99395-02v	83-11
99395-02v	84-1
99395-03v	83-11
99395-03v	84-1
99409-00v	83-22

Part Number	Figure and Index No.
99421-00v	9-34
99422-02v	10-63
99422-03v	11-32
99422-04v	11-33
99422-06v	10-63
99469-08v	14-32
99470-08v	14-3
99470-10v	14-3
99471-02v	14-5
99471-06v	14-4
99474-00v	14-31
99479-02v	28-10
99479-03v	28-10
99507-00v	37B-24
99539-00v	37B-27
99550-02v	37B-28
99592-14v	37A-4
99592-15v	37A-5
99592-16v	37A-6
99592-18v	37A-7
99592-19v	37A-8
99609-00v	37B-34
99610-02v	83-5
99610-03v	83-6
99633-00v	23-9
99633-00v	37B-8
99634-00v	37B-29
99640-00v	37B-1
99640-03v	37B-2
99641-00v	23-7
99641-00v	37B-6
99642-03v	23-4
99642-03v	37B-3
99644-00v	37B-30
99646-03v	37B-9
99648-00v	37B-12
99650-00v	37B-13
99661-00v	37B-15
99717-00v	74A-1
99718-05v	25-32
99718-05v	26-5
99719-03v	25-34
99719-03v	26-12
99719-16v	25-33
99719-16v	26-13
99729-01v	11-22
99752-00v	24-31
99783-00v	16-62
99783-00v	17-26
99790-00v	21-76
99801-02v	21-68
99805-03v	14-34
99813-02v	14-35
99825-00v	25-21
99834-00v	68-38
99841-02v	83-25
99887-02v	82-8
99887-04v	82A-9

Part Number	Figure and Index No.
99887-06v	82B-7
99888-00v	82-9
99888-00v	82A-10
99889-00v	82-10
99889-00v	82A-11
99943-00v	15-43
99943-00v	16-24
99943-00v	16A-8
99997-00v	15-22
99997-00v	16-4
99997-00v	16A-6b
99997-00v	17-65
179 872v	2-56
180 816	56-5
180 816	56-8
187 627v	43-30
187 627v	46-6
189 132v	21-42
189 139v	16-61
189 139v	16A-2
189 139v	17-57
189 139v	18-36
189 139v	19-10
400 002	25-29
400 002	25-29b
400 002	26-46
400 002	38-28
400 003	39-28
400 004	25-79
400 004	39-26
400 004	41-30
400 004	42-53
400 004	45-43
400 004	65-15
400 004	69-52
400 008	64-27
400 009	27B-38
400 009	42-45
400 011	69-4
400 012	45-41
400 014	54-41
400 014	68-48
400 019	43-6
400 019	66-29
400 054	19-12
400 054	58-35
400 054	58-36
400 056	54C-20
400 056	70-34
400 058	58-36
400 060	61-118
400 113	16A-20
400 113	50-52

PIPER PARTS CATALOG

Part Number	Figure and Index No.
400 194v	59-27
400 274	42-48
400 322v	42-43
400 440	25-80
400 440	40-32
400 441	25-76
400 441	25-77
400 441	25-84
400 441	37C-38
400 441	37C-39
400 441	58-33
400 441	66-32
400 443	42-46
400 443	69-47
400 443	81A-4
400 444	2-32
400 444	9-39
400 444	80-10
400 448	69-50
400 450	39-27
400 450	45-38
400 450	68-57
400 451	66-30
400 451	66-31
400 452	64-34
400 452	81A-68
400 453	57-16
400 457v	72-13
400 485v	71-10
400 496v	64-31
400 652v	69-55
400 653v	69-45
400 653v	70-33
400 656v	69-54
400 665v	16A-28
400 668v	16A-32
400 669v	16-69
400 669v	17-69
400 670	27-5
400 672	65-18
400 673	69-53
400 674	67-20
400 675	64-33
400 680v	69-49
400 684v	42-54
400 692	42-49
400 711	45-21
400 757	45-29
400 761	45-39
400 862	16-77
400 862	16A-61
400 862	19-29
400 867	31-24
400 869	58-34
400 870v	17-68
400 870v	71-11
400 876v	50-50
400 880v	45-30

Part Number	Figure and Index No.
400 880v	45-31
400 883v	10-71
400 886v	42-44
400 890v	42-41
400 910v	42-50
400 916	27A-9
400 921	43-31
401 186	38-30
401 187	25-75
401 187	27-11
401 188	64-36
401 188	67-19
401 194	25-78
401 194	42-42
401 260v	49-15
401 261v	49-15
401 266	16-76
401 266	40-31
401 266	41-29
401 266	46-12
401 266	63-13
401 266	63-26
401 266	68-54
401 266	68-55
401 266	71-13
401 266	80-11
401 269	2-31
401 269	42-40
401 269	53-40
401 269	53A-38
401 269	57-14
401 269	57-15
401 269	64-32
401 269	66-32
401 269	66-37
401 269	68-44
401 269	70-24
401 269	71-12
401 269	80-16
401 270	2-41
401 274	37C-37
401 274	69-19
401 275v	49-32
401 275v	49-33
401 287v	49-34
401 300v	53-43
401 300v	53A-41
401 304v	43-7
401 310	2-18
401 310	45-42
401 310	60-27
401 310	70-32
401 310	81B-16
401 315	64-30
401 316	64-29
401 318	25-27
401 318	26-52
401 318	69-51

Part Number	Figure and Index No.
401 320v	46-37
401 329	46-35
401 333	70-22
401 335	45-40
401 336	87-13
401 336	87-14
401 353	67-24
401 354	67-25
401 365	67-26
401 374v	65-19
401 375	47-14
401 385v	64-28
401 387v	65-14
401 392	54-42
401 394	37A-10
401 394	60-26
401 404	42-51
401 421	42-47
401 456v	43-40
401 520v	42-52
401 546v	54-43
402 057v	10-65
402 057v	10-66
402 060v	10-66
402 258v	66-33
402 285	38-26
402 286	38-25
402 291v	41-31
402 312v	46-31
402 313	43-32
402 318	72-9
402 344	43-33
402 344	46-32
402 344	46-33
402 345	46-33
402 680v	38-27
402 889v	68-49
402 890v	14-17a
402 890v	68-50
402 891v	68-53
402 897v	14-17
402 899v	2-18
402 903v	2-59
402 904v	2-61
402 906v	2-57
402 907v	2-56
402 908v	2-67
402 909v	2-64
402 910v	2-58
402 911v	2-60
402 914v	2-62
402 915v	2-63
402 921v	42-2d
402 921v	45-39
402 922v	45-43
402 923v	45-42
402 927v	45-29
402 960v	45-44

Part Number	Figure and Index No.
402 974v	45-44
403 054	49-27
403 056	49-29
403 057	49-28
404 100	42-49
404 100	45-30
404 100	45-31
404 100	54C-20
404 100	58-35
404 100	58-36
404 100	61-118
404 100	64-32
404 100	69-49
404 101	16A-20
404 101	43-32
404 101	46-31
404 101	50-52
404 102	43-33
404 102	46-32
404 102	46-33
404 104	70-25
404 105	42-43
404 224	14-16
404 224	16-22
404 224	17-25
404 224	37C-22
404 224	38-29
404 224	58-32
404 224	61-113
404 224	69-46
404 225	42-31
404 225	53-62
404 225	53A-55
404 225	57-17
404 225	71-8
404 243	49-31
404 317v	45-32
404 320v	69-26
404 321	49-18
404 321	49-30
404 321	53-51
404 321	53A-49
404 321	66-8
404 322	37C-25
404 322	37C-28
404 322	42-20
404 322	49-4
404 322	64-35
404 322	69-25
404 325v	68-45
404 326v	45-32
404 391v	16A-28
404 391v	69-45
404 391v	69-54
404 391v	69-55
404 391v	70-33
404 392	16A-32
404 392	19-12

PIPER PARTS CATALOG

Part Number	Figure and Index No.
404 392	23-35
404 392	37-18
404 392	42-54
404 392	64-33
404 392	65-18
404 392	67-20
404 392	68-49
404 392	68-53
404 392	69-53
404 392	70-34
404 393	45-21
404 394	59-27
404 395	42-2d
404 395	45-29
404 395	45-39
404 396	42-48
404 398	45-53
404 399v	45-53
404 531v	2-18
404 531v	2-59
404 531v	2-61
404 531v	2-62
404 531v	54-40
404 532v	2-55
404 532v	2-58
404 532v	2-60
404 532v	2-63
404 532v	2-64
404 556v	14-17
404 556v	14-17a
404 561v	78-21
404 561v	78A-17
404 584v	37C-39
404 829	77-7
404 832	45-44
404 833	16-15
404 833	17-48
404 833	19-27
404 835	42-44
404 835	58-34
404 835	66-31
404 835	70-23
404 835	70-31
404 836	25-29b
404 836	42-50
404 836	46-35
404 836	69-4
404 837	10-65
404 837	10-66
404 837	25-75
404 837	27-11
404 838	43-42
404 843	46-25
404 887	2-31
404 887	2-32
404 887	2-41
404 887	9-43
404 887	10-71

Part Number	Figure and Index No.
404 887	16-76
404 887	18-21
404 887	19-18
404 887	19-29
404 887	19-30
404 887	19-31
404 887	25-76
404 887	27A-13
404 887	37C-38
404 887	37C-39
404 887	38-25
404 887	38-26
404 887	39-27
404 887	41-30
404 887	41-31
404 887	42-40
404 887	42-41
404 887	42-46
404 887	45-38
404 887	46-12
404 887	49-24
404 887	49-25
404 887	49-26
404 887	49-27
404 887	49-28
404 887	49-29
404 887	49-31
404 887	49-32
404 887	50-50
404 887	57-14
404 887	57-15
404 887	57-16
404 887	64-31
404 887	64-34
404 887	66-30
404 887	66-32
404 887	66-33
404 887	66-37
404 887	68-44
404 887	68-54
404 887	68-55
404 887	68-57
404 887	69-19
404 887	69-50
404 887	70-24
404 887	71-10
404 887	71-11
404 887	71-12
404 887	72-13
404 887	76-12
404 888	2-18
404 888	2-19
404 888	25-29
404 888	26-46
404 888	39-26
404 888	39-28
404 888	41-31
404 888	42-45

Part Number	Figure and Index No.
404 888	42-53
404 888	43-6
404 888	43-31
404 888	45-42
404 888	46-35
404 888	46-37
404 888	48-16
404 888	54-41
404 888	64-27
404 888	65-15
404 888	66-29
404 888	68-48
404 888	69-51
404 888	69-52
404 888	70-22
404 888	70-32
404 888	72-9
404 888	85-14
404 889	2-18
404 889	25-78
404 889	38-30
404 889	42-42
404 889	44-12
404 889	47-14
404 889	64-28
404 889	64-36
404 889	65-14
404 889	65-19
404 889	67-19
404 889	67-24
404 889	67-25
404 889	67-26
404 890	37A-10
404 891	42-52
404 891	54-43
404 899	47-14
404 909	28-51
404 909	88-11
404 910	27B-40
404 910	58-37
404 910	85-12
404 986	60-26
404 991v	58-33
405 160v	45-44
405 515v	76-13
406 345	59-23
406 369v	25-29a
406 393v	73-48
406 399v	20-28
406 415v	2-36
406 415v	4-70
406 424v	22-4c
406 424v	22-6c
406 424v	22-18
406 424v	37B-20a
406 424v	37B-23a
406 424v	37B-35
406 424v	37D-41c

Part Number	Figure and Index No.
406 428v	87-16
406 527v	2-56
406 527v	2-57
406 618v	3-27
406 637v	38-27
406 638v	19-19
406 639v	68-51
406 642	15-54
406 660	45-47
406 809	15-53
406 826	56-10
406 826	60-12
406 826	60-13
406 826	60-14
406 829	56-3a
406 829	56-4b
406 832	15-55
406 848v	83-24
406 848v	83-37
406 863	18-35
406 927v	2-28
406 940v	2-27
406 942v	2-27
407 041v	15-10
407 043	58-32
407 043	58-35
407 043	58-36
407 043	63-13
407 043	63-26
407 045v	76-13
407 103	56-5c
407 104v	37C-22
407 105	57-17
407 120v	17-37
407 122v	83-24
407 122v	83-37
407 124	50-51
407 130	21-75
407 135	26-54
407 136	42-30
407 136	42-31
407 559v	54-40
407 561	25-29a
407 561	61-117
407 562	16-34
407 562	16-36
407 562	16A-28
407 562	16A-33
407 562	17-12
407 562	17-14
407 562	28-51
407 562	69-45
407 562	69-54
407 562	69-55
407 562	77-7
407 562	88-12
407 562	88-13
407 563	19-27

PIPER PARTS CATALOG

Part Number	Figure and Index No.
407 563	27B-40
407 563	87-12
407 564	2-31
407 564	2-32
407 564	2-41
407 564	9-43
407 564	14-17
407 564	14-17a
407 564	16-76
407 564	18-21
407 564	18-38
407 564	19-12
407 564	19-18
407 564	21A-20
407 564	23-25
407 564	25-76
407 564	25-80
407 564	25-84
407 564	26-50
407 564	38-25
407 564	38-26
407 564	39-27
407 564	42-40
407 564	42-41
407 564	42-46
407 564	42-49
407 564	45-31
407 564	45-38
407 564	50-50
407 564	57-14
407 564	57-15
407 564	57-16
407 564	58-29
407 564	58-33
407 564	58-34
407 564	58-36
407 564	63-13
407 564	63-26
407 564	64-31
407 564	64-32
407 564	64-33
407 564	65-18
407 564	66-30
407 564	66-31
407 564	66-32
407 564	66-34
407 564	66-37
407 564	67-20
407 564	68-49
407 564	68-53
407 564	68-54
407 564	68-55
407 564	68-57
407 564	69-19
407 564	69-47
407 564	69-49
407 564	69-50
407 564	69-53

Part Number	Figure and Index No.
407 564	70-24
407 564	70-34
407 564	71-11
407 564	71-13
407 564	72-13
407 564	76-12
407 564	80-11
407 565	2-18
407 565	2-19
407 565	16A-20
407 565	25-74
407 565	25-79
407 565	26-51
407 565	27A-9
407 565	38-27
407 565	39-26
407 565	39-28
407 565	42-45
407 565	42-50
407 565	42-53
407 565	42-54
407 565	43-7
407 565	43-31
407 565	43-32
407 565	45-21
407 565	45-42
407 565	45-43
407 565	46-31
407 565	50-52
407 565	53-43
407 565	53A-41
407 565	54-41
407 565	60-27
407 565	64-27
407 565	64-29
407 565	64-30
407 565	66-29
407 565	68-48
407 565	69-51
407 565	70-22
407 565	87-13
407 565	87-14
407 566	2-18
407 566	2-59
407 566	2-62
407 566	25-75
407 566	25-78
407 566	27-11
407 566	38-30
407 566	42-42
407 566	43-33
407 566	44-11
407 566	46-33
407 566	47-14
407 566	64-27
407 566	64-28
407 566	64-37
407 566	65-14

Part Number	Figure and Index No.
407 566	65-19
407 566	65-23
407 566	67-19
407 566	67-24
407 566	67-25
407 566	67-26
407 567	2-55
407 567	2-57
407 567	2-58
407 567	2-63
407 567	2-64
407 567	2-67
407 567	37A-10
407 567	42-2d
407 567	42-47
407 567	42-51
407 567	43-42
407 567	45-39
407 567	50-16
407 567	54-42
407 567	60-26
407 568	42-48
407 568	42-52
407 568	53-38
407 568	53A-36
407 568	54-43
407 568	70-25
407 569	16-16
407 569	17-49
407 569	42-43
407 569	45-44
407 569	54A-29
407 570	45-44
407 570	45-53
407 573	37A-16
407 574	41-30
407 574	41-31
407 575	37A-14
407 575v	54C-14
407 582v	16A-31
407 583v	58-37
407 584	10-71
407 584	16A-32
407 584	19-29
407 584	19-30
407 584	19-31
407 584	38-25
407 584	38-26
407 584	39-27
407 584	40-31
407 584	40-32
407 584	41-29
407 584	42-41
407 584	42-44
407 584	42-54
407 584	45-20
407 584	45-31
407 584	46-12

Part Number	Figure and Index No.
407 584	50-53
407 584	54C-20
407 584	57-15
407 584	58-29
407 584	58-31
407 584	58-36
407 584	61-115
407 584	61-116
407 584	61-118
407 584	64-34
407 584	65-16
407 584	66-28
407 584	66-30
407 584	66-33
407 584	66-35
407 584	68-49
407 584	68-50
407 584	68-52
407 584	68-53
407 584	68-54
407 584	68-56
407 584	68-57
407 584	70-24
407 584	70-31
407 584	71-10
407 584	71-12
407 585	16-70
407 585	16A-63
407 585	17-39
407 585	17-74
407 585	25-29
407 585	26-46
407 585	27B-38
407 585	38-28
407 585	38-32
407 585	42-53
407 585	43-31
407 585	45-42
407 585	46-35
407 585	48-15
407 585	65-15
407 585	67-21
407 585	69-4
407 585	69-52
407 585	72-9
407 585	87-14
407 586	2-59
407 586	2-61
407 586	2-62
407 586	10-65
407 586	10-66
407 586	16-18
407 586	16A-49
407 586	17-47
407 586	46-32
407 586	59-27
407 586	64-36
407 586	68-50

PIPER PARTS CATALOG

Part Number	Figure and Index No.
407 587	2-56
407 587	2-58
407 587	2-60
407 587	2-63
407 587	30A-57
407 587	45-29
407 587	54A-30
407 587	54A-31
407 587	66-30
407 588	41-31
407 591	42-48
407 595	54C-14
407 597	45-53
407 610	2-39
407 613	41-31
407 674	49-15
407 674	49-24
407 674	49-26
407 674	49-28
407 674	49-29
407 675	46-37
407 675	49-32
407 676	54A-35
407 677v	16-53
407 677v	54A-35
407 680	16-73
407 680	16A-36
407 680	16A-48
407 682	49-15
407 682	49-25
407 682	49-26
407 682	49-27
407 682	49-32
407 683	43-6
407 694v	68-44
407 800	68-49
408 813	61-118
408 815	59-22
408 832v	15-10
408 834v	27A-10
410 039	68-51
410 047	2-20
410 048v	19-30
410 052v	19-18
410 078v	2-19
410 241v	2-40
410 241v	38-24
410 249v	19-27
410 324v	49-31
411 497v	87-16
411 514v	38-31
411 537v	27A-13
411 538v	69-46
411 540	18-21
411 543v	87-17
411 548v	87-15
414 467v	38-20
414 490v	59-26

Part Number	Figure and Index No.
414 498v	19-19
414 515	59-24
414 761	17-35
414 761	17-50
414 761	17-58
414 763	2-21
414 763	38-22
414 763	38-23
414 763	54-8
414 769	16-15
414 769	17-48
414 772	27B-39
414 777	14-50
415 179v	38-21
415 309v	2-37
415 312v	2-38
415 376v	21-75
415 378v	2-39
415 378v	16-53
415 379v	54-7
415 454	18-37
415 454	18-38
415 495	59-25
415 514	88-12
415 514	88-13
415 519	88-13
415 520	83-24
415 520	88-11
415 521	15-56
415 521	83-37
415 522	15-10
415 532	56-5c
415 533	17-37
415 533	32-33
415 535v	15-58
415 535v	16-18
415 535v	87-12
415 536	15-57
415 536	58-37
415 537	15-57
415 539	21A-19
415 540v	27B-40
415 544	15-58
415 628	77-6
416 369v	16A-51
416 633	76-12
416 785v	19-31
416 994	50-51
419 594v	16-66
419 594v	16A-53
419 594v	17-80
419 594v	21-79
419 596v	21A-20
419 648	88-12
419 683	15-59
419 918	20-27
419 918	20-28
419 920	2-36

Part Number	Figure and Index No.
419 920	4-70
419 933v	16-65
419 933v	17-36
419 967v	16A-51
424 032	65-16
424 041v	16A-28
424 041v	16A-29
424 041v	16A-33
424 041v	69-45
424 041v	69-54
424 041v	69-55
424 041v	70-33
424 050	46-31
424 050	46-33
424 051	16-34
424 051	16-36
424 051	16-70
424 051	16A-20
424 051	16A-32
424 051	16A-63
424 051	17-12
424 051	17-14
424 051	17-74
424 051	19-12
424 051	23-35
424 051	26-50
424 051	26-51
424 051	42-49
424 051	45-20
424 051	45-21
424 051	45-30
424 051	45-31
424 051	50-52
424 051	50-53
424 051	54C-20
424 051	58-29
424 051	58-31
424 051	58-35
424 051	58-36
424 051	61-115
424 051	61-116
424 051	61-117
424 051	61-118
424 051	64-32
424 051	64-33
424 051	65-18
424 051	66-28
424 051	66-34
424 051	67-21
424 051	68-46
424 051	68-52
424 051	68-53
424 051	68-56
424 051	69-49
424 051	69-53
424 051	70-34
424 052	42-54
424 052	43-32

Part Number	Figure and Index No.
424 052	43-33
424 052	46-32
424 052	59-27
424 052	67-20
424 052	69-48
424 053	67-22
424 059	42-2d
424 059	45-29
424 059	45-39
424 059	65-17
424 060	70-25
424 061	54A-21
424 061	67-23
424 085v	42-43
424 085v	42-48
424 095	18-10
424 095	66-35
424 123v	66-36
424 123v	68-47
424 141v	16A-33
424 162	16-36
424 162	17-14
424 163	16-34
424 163	17-12
424 164	61-117
424 172v	18-8
424 174	26-50
424 174	58-31
424 174	61-116
424 175	51-22
424 175	61-115
424 176	51-22
424 176	58-29
424 176	66-28
424 177	50-53
424 178	16A-29
424 178	66-34
424 180v	68-56
424 181v	45-20
424 181v	51-23
424 182	65-16
424 184	51-24
424 192	18-9
424 192	68-52
424 204v	16-70
424 204v	16A-63
424 204v	17-74
424 205v	26-51
424 231v	67-21
424 357v	51-6
434 120v	53-42
434 120v	53A-40
434 138	17-53a
450 035	73-1
450 397v	73-3
450 611	28-6
450 741	73-36
451 272	83-1

PIPER PARTS CATALOG

Part Number	Figure and Index No.	Part Number	Figure and Index No.	Part Number	Figure and Index No.	Part Number	Figure and Index No.
451 273	83-2	452 538v	14-15	454 714v	31-41	456 615v	37B-14
451 494	77-7	452 540v	42-17	454 714v	74-50	456 703v	84-13
451 735	43-37	452 544v	41-20	454 714v	81A-64	456 728	76-6
451 735	46-44	452 552v	42-19	454 714v	81B-19	456 793v	74A-18
451 802v	83-2	452 557v	37-17	454 714v	85-6	458 840v	29-43
451 823v	37C-25	452 575v	45-5	454 714v	86-4	458 840v	81A-46
451 823v	73-10	452 575v	45-9	454 714v	87-10	458 847	62-30
451 823v	73-12	452 584	5-13a	454 715v	31-40	458 864v	61-87
451 823v	73-12a	452 584	49-17a	454 715v	74-50	458 879	30-37
451 823v	73-14	452 606v	37-17	454 715v	81B-20	458 879	30-39
451 823v	73-16	452 606v	37C-21	454 715v	87-11	458 879	30-40
451 823v	73-18	452 606v	58-25	454 716v	30-49	458 879	30A-39
451 823v	74A-3	452 616v	71-6	454 716v	30A-52	458 879	30A-41
451 827v	32-11a	452 651v	37A-2	454 716v	74-50	458 879	30A-42
451 834v	58-27	452 679v	25-63	454 717v	74A-13	458 879	30A-58
451 835v	37C-34	452 692v	25-63	454 718v	54C-19	458 880	50-45
451 841	73-20	452 706v	37C-32	454 718v	74-50	458 882	61-82
451 857	61-79	452 729v	53-53	454 718v	78-20	458 887	62-32
451 857	81B-14	452 729v	53A-51	454 720v	74-50	458 888	30-10
451 859v	61-130	452 813v	37D-51	454 724v	78A-10	458 888	30-42
451 859v	63-34	452 935v	23-8	454 818	42-33	458 888	30A-44
451 872	36-27	452 935v	37B-7	454 818	63-32	458 891	51-20
451 881v	29-25	452 948v	78-3	454 860	54-35	458 891	53-6
451 906v	37A-9	452 955v	32-5	454 860	54-30	458 891	53-34
451 906v	37A-13	452 955v	34-1	454 867	45-26	458 891	53A-32
451 910v	28-40	452 997v	84A-5	454 873	19-17	458 891	61-84
451 939v	29-24	453 124	43-24	454 873	20-24	458 893	30-41
451 939v	29-29	453 124	46-28	454 873	74A-27	458 893	30A-43
451 939	81B-31	453 417v	21-59	454 887	16-75	458 893	81A-74
452 009	45-27	453 417v	83-21	454 921	29-36	458 894	36-25
452 331	43-13	453 452v	78-13	454 983	50-42	458 894	50-46
452 334v	37C-24	453 452v	78A-15	454 983	61-100	458 894	51-18
452 334v	37C-27	453 475v	81B-21	454 983	61-100a	458 894	53-33
452 334v	42-6	453 602	31-63	454 987v	61-127	458 894	53A-6
452 334v	42-29	453 602	74-46	454 994v	35-17	458 894	53A-31
452 334v	53-52	453 616	61-104	454 997	54-49	458 894	61-83
452 334v	53A-50	453 674v	17-79	455 124	43-23	458 900	50-47
452 334v	66-7	453 680v	61-103	455 124	46-27	458 900	53-57
452 335	49-2	453 695	74-31	455 151	73-5	458 900	61-89
452 335	49-17	453 714v	51-17	455 173	30A-37	458 904	51-19
452 335	49-17a	453 724v	3-28	455 173	36-24	458 904	61-88
452 335	64-25	453 732	25-32a	455 173	53-63	458 910	62-34
452 335	69-23	453 732	26-7	455 173	53A-56	458 915	61-85
452 336v	69-24	453 741v	7-35	455 259v	36-26	458 933	62-29
452 368v	45-16	453 855	84-8	455 409v	31-50	458 934	61-90
452 372	70-7	453 856v	16-72	455 417v	30A-53	458 934	62-31
452 386v	25-10	453 856v	17-76	455 938v	50-1	458 934	62-35
452 386v	26-17	453 878v	68-27	455 944v	51-16	458 938	61-86
452 387v	4-60	453 879v	68-29	455 944v	52-16	458 938	62-35
452 387v	4-62	453 888v	68-28	455 948v	51-16	458 947	62-33
452 387v	40-18	453 898	31-62	455 948v	52-1	459 441v	16-50
452 387v	40-20	453 996v	78-16	455 968v	51-16	459 441v	17-31
452 388v	70-21	454 053	43-25	455 968v	52-28	459 849v	28-52
452 389v	70-20	454 053	46-29	456 425v	31-1	459 957v	45-28
452 413v	68-8	454 373v	63-30	456 426v	31-2	460 585v	29-27
452 413v	68-10	454 640v	79-6	456 427v	31-3	460 602v	74-49
452 448v	43-12	454 640v	79-11	456 428v	31-4	460 602v	84-12
452 534v	42-7a	454 706v	80-15	456 429v	31-5	460 632	54-26

PIPER PARTS CATALOG

Part Number	Figure and Index No.
460 686v	43-10
460 691	45-3
460 691	45-7
460 801	2-12
460 801	45-49
460 836v	29-28
460 836v	81A-67
460 860	45-19
460 866	29-6
461 131	45-25
461 386v	22-4b
461 386v	22-6b
461 386v	22-15
461 386v	37B-20
461 386v	37B-23
461 386v	37B-26
461 386v	37D-41b
461 391v	37D-41b
461 629v	70-40
461 629v	74A-22
461 629v	84A-9
461 657v	73-65
462 003v	73-49
462 023	29-3a
462 024	43-19
462 024	46-23
462 034	46-18
462 058	62-49
462 060	61-107
462 061	61-108
462 121v	54C-3
463 201v	54C-1
463 380v	50-24
463 416	56-21
463 615v	74-67
464 046v	16-49
464 048v	17-27
464 097v	78-15
464 362	83-18
464 401v	32-4
464 401v	33-1
464 407v	83-18
464 412v	16A-52
464 412v	17-67
465 258v	70-39
467 064	83-26
467 116v	43-14
467 141v	54C-22
468 002	83-9
468 006	83-10
469 600v	83-30
470 908v	54-16
470 925v	27-12
470 925v	Misc
470 959v	27B-22
471 084v	26-54
472 017	56-15
472 036	73-33

Part Number	Figure and Index No.
472 054	31-38
472 054	37-11
472 054	74-18
472 054	74-30
472 054	74A-17
472 054	85-4
472 054	85-12
472 056v	74-19
472 056v	74-48
472 056v	84-11
472 080v	74-57
472 330	73-32
472 661	77-2
472 665	73-21
472 666	73-24
472 736	73-27
472 825v	37-10
472 844v	74A-15
472 890v	73-35
472 895v	75-6
472 896v	75-6
472 900v	31-36
472 901v	31-39
472 912v	74-32
472 969v	28-38
472 988v	75-6
473 187v	22-4a
473 187v	22-6a
473 187v	22-14
473 187v	37B-19
473 187v	37B-22
473 187v	37B-25
473 187v	37D-41a
473 195v	37D-41a
474 122v	37D-18
474 124v	37D-18
474 641	56-24
474 642v	83-28
474 652v	83-19
474 655v	83-34
475 175v	31-15
475 198v	37C-13
475 210v	23-5
475 210v	37B-4
476 643	30-44
476 643	30A-46
476 643	62-40
476 645	31-33
476 647	30-9
476 647	30A-54
476 647	81B-13
476 647	88-7
476 648	32-27
476 648	46-41
476 648	53-45
476 648	53A-43
476 648	61-128
476 648	62-39

Part Number	Figure and Index No.
476 662	36-26
476 662	61-114
476 712v	31-33
477 589v	54C-14
477 611v	81A-73
477 611	81B-12
477 614	61-109
477 617	30A-57
477 618	50-48
477 618	53-38
477 618	53-56
477 618	53A-36
477 618	61-110
477 618	61-110a
477 618	62-48
477 619	62-45
477 620	29-31
477 620	31-35
477 627	62-44
477 628	62-46
477 629	61-111
477 629	62-47
477 631	61-112
477 640v	38-20
477 640v	38-21
477 672v	2-21
477 672v	38-22
477 673v	17-35
477 677	30-11
477 691	37A-16
477 696v	15-10
477 696v	21-75
477 703	37A-15
477 708v	25-27
477 708v	26-52
477 708v	27A-9
477 771v	20-27
477 778v	21A-19
477 823v	30A-56
477 823v	30A-58
477 823v	30A-59
477 887v	42-47
477 887v	42-51
477 887v	54-42
479 987v	75-6
480 592v	26-48
480 691	45-54
480 694	16-35
480 694	17-13
480 696	69-16
480 701	25-25
480 701	25-40
480 701	25-50
480 701	26-39
480 730v	70-23
480 732	25-26
480 732	26-38
480 777v	25-28

Part Number	Figure and Index No.
480 777v	26-48
480 789v	26-49
480 790v	26-47
480 800v	16A-30
481 214	75-1
481 357v	54-46
481 626	66-25
481 626	68-36
481 640v	66-23
481 640v	68-35
481 640v	80-14
481 641v	81A-62
481 651	66-24
481 651	67-11
481 651	70-9
481 652	67-12
481 756v	61-1
481 772	7-9
481 776v	61-1
481 842v	36-10
484 148v	31-32
484 161v	31-10
484 162v	62-43
484 209v	73-37
484 209v	73-53
484 209v	74A-14
484 234v	84-10
484 293	37C-11
484 293	56-8b
484 293	56-9
484 293	60-12
484 305v	54-19
484 305v	56-3
484 305v	56-4a
484 342	37C-12
484 342	56-9
484 342	56-17
484 342	60-13
484 349v	61-76
484 353	61-77
484 359	61-78
484 373	73-4
484 373	76-5
484 375v	83-15
484 461v	84-14
484 465	58-28
484 467v	74A-16
484 494v	74-23c
484 498v	74-23b
484 522v	73-54
484 684v	46-20
484 685v	43-29
484 685v	46-21
484 691v	21-78
484 693v	43-26
484 698	48-4
484 701	50-6
484 701	52-14

PIPER PARTS CATALOG

Part Number	Figure and Index No.	Part Number	Figure and Index No.	Part Number	Figure and Index No.	Part Number	Figure and Index No.
484 706	50-11	487 777	73-31	491 050	50-43	494 141v	17-29
484 706	52-8	487 904	70-36	491 050	53-36	494 177v	52-26
484 706	53-47	487 904	70-41	491 050	53A-34	494 191v	63-27
484 706	53A-45	487 904	74-29	491 050	61-94	494 192v	53-40
484 714	46-19	487 904v	81B-2	491 050	62-37	494 192v	53A-38
484 719	45-4	487 922v	37C-33	491 050	62-50	494 226v	61-118
484 719	45-8	487 922v	74A-2	491 052	61-91	494 228v	2-56
484 727	50-7	487 925	32-11b	491 055	61-93	494 228v	2-57
484 748v	52-5	487 925	58-26	491 055	62-38	494 231v	58-29
484 748v	53-48	487 925	73-19	491 059v	30A-56	494 678	83-23
484 748v	53A-46	488 310	30-40	491 060	50-44	515 710	28-51
484 755	56-22	488 310	30A-36	491 060	53-37	519 853v	16A-36
484 788v	52-23	488 310	30A-42	491 060	53A-35	519 853v	16A-49
484 788v	53-44	488 310	81A-65	491 060	61-92	519 853v	17-47
484 788v	53A-42	488 314	61-97	491 106v	30A-59	519 853v	17-56
484 790v	46-30	488 315	30-37	492 022	61-81	519 900v	27B-6
484 792v	9-9	488 315	30-45	492 022	63-6	524 183v	66-35
484 797v	43-28	488 315	30A-39	492 022	63-19	524 185v	68-46
484 799v	43-27	488 315	30A-47	492 041v	53-58	548 031v	28-3
484 799v	46-17	488 315	30A-48	492 100	30-8	548 032v	28-3
484 828v	46-34	488 315	30A-53	492 100	30A-8	548 033v	28-3
484 830v	16-23	488 315	88-8	492 153v	63-18b	548 039v	28-6
484 830v	17-53	488 316	53-64	492 189v	61-4	548 040v	28-6
484 853v	78-2	488 319	61-95	492 201v	53-65	548 084v	78-17
486 145	16A-35	488 320	53-7	492 202v	30-36	548 097v	28-2
486 160v	16-52	488 320	53-35	492 202v	36-21	548 124v	28-3
486 160v	17-29	488 320	53-55	492 202v	61-69	548 125v	28-3
486 262v	15-53	488 320	53A-33	492 241v	30A-35	548 130v	28-11
486 262v	15-54	488 320	61-98	492 241v	62-27	548 153v	28-6
486 262v	15-55	488 327	58-30	492 247	29-9	548 190v	28-7
486 281v	82-18	488 327	61-106	492 248v	29-4	548 331v	28-6
486 281v	82A-12	488 350v	53A-5	492 253v	61-80	548 407v	28-6
486 529v	54C-4	488 351v	53-54	492 257v	31-9	548 517v	28-7
486 530v	54C-4	488 380	30-43	492 261v	31-11	548 561v	70-38
486 531v	54C-5	488 380	30A-45	492 283v	54-45	548 579v	32-31
486 533v	28-39	488 383	53-55	492 303v	53A-4	548 679v	28-2
486 534v	28-39	488 474	62-41	492 338v	22-4	550 393	73-6
486 557v	78-10	488 474	81B-11	492 338v	22-6	550 483v	28-7
486 557v	78A-7	488 499v	36-23	492 339v	22-13	550 487v	73-7
486 624v	78A-9	488 499v	51-21	494 001	15-59	550 488	28-6
486 636v	78-18	488 499v	53-39	494 037	19-30	550 489	28-6
486 896v	81A-75	488 499v	53A-37	494 037	19-31	550 503v	63-11
486 899v	61-105	488 545v	74A-21	494 040v	25-29b	550 504v	63-24
486 960v	30A-56	488 722v	30A-4	494 060	37D-45	550 549v	73-8
486 960v	30A-58	489 400v	74-23a	494 060	54-25a	550 557	81-7
486 960v	30A-59	489 873	66-26	494 087v	76-12	550 560	81A-16
487 081v	74A-10	489 873	68-42	494 093v	70-23	550 778	81-17
487 171v	74-47	489 910	64-23	494 101	2-21	550 778	81A-15
487 560	35-5	489 910	65-10	494 101	2-40	550 805v	28-20
487 584	37D-45	489 910	67-14	494 101	27B-39	550 953v	54A-1
487 629	21-49	489 910	69-43	494 101	38-20	550 954v	54A-1
487 674v	7-33	489 910	70-26	494 101	38-22	550 970v	54A-1
487 674v	18-34	491 048	62-36	494 101	38-23	550 971v	54A-1
487 684	56-19	491 049	30-38	494 101	38-24	550 987v	54B-1
487 685v	56-19	491 049	30A-40	494 114v	46-26	550 988v	54B-1
487 687v	56-19	491 049	30A-48	494 133v	25-29	551 114	81-12
487 724	54-25	491 049	30A-59	494 133v	26-46	551 114	81A-17
487 771v	74-9	491 050	36-22	494 141v	16-52	551 376v	27-7

PIPER PARTS CATALOG

Part Number	Figure and Index No.
551 390v	25-62
551 391v	25-62
551 391v	27B-18
551 392v	25-62
551 396v	25-63
551 424v	25-63
551 426v	25-63
551 706v	46-45
551 706v	48-1
551 725v	46-45
551 725v	48-1
551 765v	46-46
551 765v	47-1
551 766v	43-35
551 766v	44-1
551 770v	46-46
551 770v	47-1
551 773v	43-35
551 773v	44A-1
551 779v	43-35
551 779v	44A-1
551 785v	43-35
551 785v	44-1
551 874v	31-47
551 874v	31-55
551 957v	27B-4
551 958v	27B-4
551 959v	27B-4
552 516v	27B-4
552 517v	27B-4
552 518v	27B-4
553 172v	42-30
553 182	58-40
553 215v	78-1
553 216v	78-1
553 266v	14-16
553 266v	38-29
553 603v	31-2
553 604v	31-1
554 132v	27B-5
554 201v	58-4
554 259v	37-2
554 260v	37-1
554 293v	58-2
554 293v	58-3
554 294v	58-2
554 295v	58-3
554 305v	58-5
554 321v	58-1
554 361v	23-34
554 422v	26-53
554 622v	61-129
554 637v	78-11
554 640v	23-30
554 641v	54-39
554 659	29-35
554 664v	63-33
554 678v	37A-17

Part Number	Figure and Index No.
554 678v	37B-16
554 686v	83-35
554 687v	64-26
554 719v	32-22
554 734v	46-39
554 753v	27A-11
554 756	29-34
554 757	19-11
554 762	54-38
554 763v	20-23
554 763v	21-52
554 769v	42-15
554 769v	77-8
554 797	61-101
554 861	23-29
554 861	29-32
554 861	30-4
554 861	30-46
554 861	30A-4
554 861	30A-49
554 861	32-23
554 861	50-41
554 861	61-99
554 861	81A-57
554 861	88-9
554 865	32-25
554 866v	54-37
554 888	29-33
554 888	31-51
554 888v	81B-5
554 888	84A-4
554 888	84A-7
554 925	32-26
554 925	54-36
554 926	37B-11
554 945	32-24
554 946	31-52
554 979	64-24
554 979	65-11
554 979	66-27
554 979	67-15
554 979	68-43
554 979	69-44
554 979	70-27
554 984v	61-102
555 421v	83-3
555 422v	83-3
555 445v	61-59
555 475v	37C-1
555 563v	26-11
555 564v	26-11
555 565v	26-11
555 566v	26-11
555 567v	26-11
555 568v	26-11
555 593v	26-11
555 731	82-17
555 884v	26-11

Part Number	Figure and Index No.
555 885v	26-11
555 886v	26-11
555 887v	26-11
555 888v	26-11
555 889v	26-11
555 890v	26-11
555 891v	26-11
555 919v	37A-1
555 954v	26-11
555 955v	26-11
555 956v	26-11
555 957v	26-11
556 105v	30-2
556 105v	30A-2
556 236v	26-11
556 237v	26-11
556 238v	26-11
556 239v	26-11
556 342v	26-11
556 343v	26-11
556 344v	26-11
556 469v	26-11
556 470v	26-11
556 471v	26-11
556 472v	26-11
556 473v	26-11
556 474v	26-11
556 503v	54C-2
556 677v	26-11
556 678v	26-11
556 705v	26-11
556 753v	83-3
556 921v	26-11
556 932v	26-11
556 933v	26-11
558 823v	30A-58
558 824v	30A-56
558 839v	29-30
558 839v	31-48
558 839v	31-56
558 840v	31-49
558 851v	29-26
558 925	31-46
558 926	29-38
558 926	29-42
560 688v	29-7
560 835	81B-30
560 877v	81B-32
560 878v	81B-33
560 881v	29-7
560 911v	29-7
561 012v	37A-9
565 288	74-17
565 367	86-5
565 407v	74-16
565 523v	83-29
571 136v	22-14
571 136v	74-58

Part Number	Figure and Index No.
571 149v	25-5
571 149v	26-40
571 162v	23-26
571 162v	74A-12
572 514v	37D-40
572 524v	22-12
572 582v	22-11
579 226v	16A-5
579 226v	17-63
579 226v	21-27a
579 226v	27B-11
579 227v	16A-5
579 227v	17-63
579 227v	21-27a
579 227v	27B-11
579 227v	27B-11
579 228v	16A-5
579 228v	17-63
579 228v	21-27a
579 228v	27B-11
579 229v	18-25
579 230v	18-25
579 231v	18-25
579 232v	21-1
579 233v	21-1
579 234v	21-1
579 235v	21-2
579 236v	21-2
579 237v	21-2
579 238v	17-64
579 239v	17-64
579 240v	17-64
579 244v	21-3
579 245v	21-3
579 246v	21-3
579 250v	21-4
579 251v	21-4
579 252v	21-4
579 253v	21-5
579 254v	21-5
579 255v	21-5
579 258v	16A-7
579 259v	16A-7
579 260v	16A-7
579 306v	18-25
579 308v	21-1
579 309v	21-2
579 310v	17-54
579 312v	21-3
579 313v	21-4
579 314v	21-5
579 315v	16A-7
579 318v	18-25
579 319v	18-25
579 322v	21-1
579 323v	21-1
579 324v	21-2
579 325v	21-2
579 326v	17-54

PIPER PARTS CATALOG

Part Number	Figure and Index No.
579 327v	17-54
579 330v	21-3
579 331v	21-3
579 332v	21-4
579 333v	21-4
579 334v	21-5
579 335v	21-5
579 336v	16A-7
579 337v	16A-7
579 364v	21-1
579 365v	21-1
579 368v	21-3
579 369v	21-3
579 400v	18-25
579 402v	21-1
579 403v	21-2
579 404v	17-54
579 406v	21-3
579 407v	21-4
579 408v	21-5
579 409v	16A-7
579 420v	27B-4
579 421v	27B-4
579 422v	27B-4
579 423v	27B-4
579 424v	27B-4
579 472v	17-53a
579 472v	21-27a
579 472v	27B-11
579 473v	16A-5
579 473v	17-53a
579 473v	21-27a
579 473v	27B-11
579 474v	16A-5
579 474v	17-53a
579 474v	21-14a
579 474v	27B-11
579 479v	16A-5
579 507v	16A-5
579 507v	17-53a
579 507v	21-27a
579 507v	27B-11
579 508v	16A-5
579 508v	17-53a
579 508v	21-27a
579 508v	27B-11
579 509v	16A-5
579 509v	17-53a
579 509v	21-27a
579 509v	27B-11
579 510v	16A-5
579 510v	17-53a
579 510v	21-27a
579 510v	27B-11
579 519v	18-25
579 520v	18-25
579 521v	18-25
579 522v	18-25

Part Number	Figure and Index No.
579 527v	21-1
579 528v	21-1
579 529v	21-1
579 530v	21-1
579 531v	21-2
579 532v	21-2
579 533v	21-2
579 534v	21-2
579 535v	17-54
579 536v	17-54
579 537v	17-54
579 538v	17-54
579 543v	21-3
579 544v	21-3
579 545v	21-3
579 546v	21-3
579 547v	21-4
579 548v	21-4
579 549v	21-4
579 550v	21-4
579 551v	21-5
579 552v	21-5
579 553v	21-5
579 554v	21-5
579 555v	16A-7
579 556v	16A-7
579 557v	16A-7
579 558v	16A-7
579 602v	21-3
579 603v	21-3
579 604v	21-3
579 605v	21-3
579 606v	21-3
579 673v	21-1
579 674v	21-1
579 675v	21-1
579 676v	21-1
579 678v	21-1
579 679v	21-3
579 680v	21-3
579 681v	21-3
579 682v	21-3
579 684v	21-3
579 754v	21-5
579 756v	21-5
579 757v	21-5
579 758v	21-5
579 759v	21-5
579 772v	21-4
579 774v	21-4
579 775v	21-4
579 776v	21-4
579 777v	21-4
579 778v	16-54
579 780v	16-54
579 781v	16-54
579 782v	16-54
579 783v	16-54

Part Number	Figure and Index No.
579 790v	17-54
579 792v	17-54
579 793v	17-54
579 794v	17-54
579 795v	17-64
579 796v	21-2
579 798v	21-2
579 799v	21-2
579 800v	21-2
579 801v	21-2
579 914v	18-25
579 916v	18-25
579 917v	18-25
579 918v	18-25
579 919v	18-25
580 699v	18-25
580 703v	17-54
580 709v	16A-7
580 731v	16A-5
580 731v	17-53a
580 731v	21-27a
580 731v	27B-11
580 733v	21-1
580 766v	21-3
581 043	83-4
581 330v	72-7
581 332v	72-8
581 489v	16-44
581 489v	17-30
581 928v	15-52
581 928v	16-43
582 223v	31-34
582 362v	31-43
582 362v	89-46
582 363v	31-44
582 363v	89-47
582 364v	31-45
582 364v	89-48
582 448v	78-12
582 448v	78A-12
584 006v	83-36
584 015	74A-4
584 019v	37C-10
584 019v	56-3
584 019v	56-4a
584 031	31-10
584 134v	60-14
584 178v	54C-18
584 258v	37A-9
585 015v	83-13
587 123v	54C-18
587 221v	16-47
587 221v	17-28
587 292v	25-35
587 299v	25-8
587 299v	26-16
587 381v	16A-25
587 398v	16A-19

Part Number	Figure and Index No.
587 404v	26-9
587 488v	74A-11
587 633v	56-19
587 635v	56-19
587 636v	56-19
587 637v	56-19
587 638v	56-19
587 639v	56-19
587 675v	56-19
587 702v	78-14
587 702v	78A-15
587 807v	84-2
587 808v	84-3
587 808v	84-4
587 808v	84-5
587 809v	84-6
587 818v	74-10
587 838v	23-25
587 842v	31-12
587 847v	53-32
587 847v	53A-30
587 854v	73-51
587 862v	70-4a
587 903v	74-60
587 903v	74A-24
587 923v	31-14
587 923v	80-18
587 923v	81A-52a
587 923v	85-5
587 923v	86-3
587 952v	82-13
587 956v	62-28
587 990v	62-54
588 008v	62-51
588 011v	82-14
588 011v	82B-10
588 030v	82A-6
588 109v	23-25
588 356v	84-9
588 362v	73-38
588 443v	61-96
588 443v	62-42
588 453v	29-30
588 469v	62-53
588 479v	62-31
589 664v	31-24
589 665v	31-25
589 688v	37B-10
591 026v	24-3
591 027v	24-3
591 028v	24-3
591 030v	24-3
591 031v	24-4
591 032v	24-4
591 033v	24-4
591 035v	24-4
591 042v	24-1
591 043v	24-1

PIPER PARTS CATALOG

Part Number	Figure and Index No.
591 044v	24-1
591 046v	24-1
591 047v	24-1
591 048v	24-1
591 049v	24-1
591 051v	24-1
591 052v	24-2
591 053v	24-2
591 054v	24-2
591 056v	24-2
591 057v	24-2
591 058v	24-2
591 059v	24-2
591 061v	24-2
591 067v	24-14
591 068v	24-14
591 069v	24-14
591 071v	24-14
591 077v	24-11
591 078v	24-11
591 079v	24-11
591 081v	24-11
591 082v	24-11
591 083v	24-11
591 084v	24-11
591 086v	24-11
591 087v	24-10
591 088v	24-10
591 089v	24-10
591 091v	24-10
591 092v	24-10
591 093v	24-10
591 094v	24-10
591 096v	24-10
591 097v	24-12
591 098v	24-12
591 099v	24-12
591 101v	24-12
591 102v	24-8
591 103v	24-8
591 104v	24-8
591 106v	24-8
591 107v	24-8
591 108v	24-8
591 109v	24-8
591 111v	24-8
591 112v	24-12
591 113v	24-12
591 114v	24-12
591 116v	24-12
591 127v	24-13
591 128v	24-13
591 129v	24-13
591 131v	24-13
591 380v	24-6
591 381v	24-6
591 382v	24-6
591 384v	24-6

Part Number	Figure and Index No.
591 451v	24-7
591 452v	24-7
591 453v	24-7
591 454v	24-7
591 455v	24-7
591 456v	24-7
591 457v	24-7
591 458v	24-7
591 459v	24-9
591 460v	24-9
591 461v	24-9
591 462v	24-9
591 463v	24-15
591 464v	24-15
591 465v	24-15
591 466v	24-15
591 467v	24-15
591 468v	24-15
591 469v	24-15
591 470v	24-15
591 475v	24-5
591 476v	24-5
591 477v	24-5
591 478v	24-5
591 479v	24-15
591 480v	24-15
591 481v	24-15
591 482v	24-15
591 501v	24-4
591 502v	24-4
591 503v	24-3
591 504v	24-3
591 509v	24-1
591 510v	24-1
591 511v	24-1
591 512v	24-1
591 513v	24-2
591 514v	24-2
591 515v	24-2
591 516v	24-2
591 519v	24-14
591 520v	24-14
591 523v	24-12
591 524v	24-12
591 525v	24-12
591 526v	24-12
591 529v	24-13
591 530v	24-13
591 535v	24-7
591 536v	24-7
591 537v	24-7
591 538v	24-7
591 553v	24-8
591 554v	24-8
591 555v	24-8
591 556v	24-8
591 557v	24-10
591 558v	24-10

Part Number	Figure and Index No.
591 559v	24-10
591 560v	24-10
591 561v	24-9
591 562v	24-9
591 565v	24-11
591 566v	24-11
591 567v	24-11
591 568v	24-11
591 569v	24-6
591 570v	24-6
591 571v	24-5
591 572v	24-5
591 592v	24-15
591 593v	24-15
591 594v	24-15
591 595v	24-15
591 596v	24-15
591 597v	24-15
591 598v	24-15
591 599v	24-15
591 620v	24-4
591 621v	24-4
591 622v	24-4
591 623v	24-4
591 624v	24-3
591 625v	24-3
591 626v	24-3
591 627v	24-3
591 628v	24-1
591 629v	24-1
591 630v	24-1
591 631v	24-1
591 632v	24-1
591 633v	24-1
591 634v	24-1
591 635v	24-1
591 636v	24-2
591 637v	24-2
591 638v	24-2
591 639v	24-2
591 640v	24-2
591 641v	24-2
591 642v	24-2
591 643v	24-2
591 648v	24-14
591 649v	24-14
591 650v	24-14
591 651v	24-14
591 656v	24-12
591 657v	24-12
591 658v	24-12
591 659v	24-12
591 660v	24-12
591 661v	24-12
591 662v	24-12
591 663v	24-12
591 668v	24-13
591 669v	24-13

Part Number	Figure and Index No.
591 670v	24-13
591 671v	24-13
591 680v	24-7
591 681v	24-7
591 682v	24-7
591 683v	24-7
591 684v	24-7
591 685v	24-7
591 686v	24-7
591 687v	24-7
591 716v	24-8
591 717v	24-8
591 718v	24-8
591 719v	24-8
591 720v	24-8
591 721v	24-8
591 722v	24-8
591 723v	24-8
591 724v	24-10
591 725v	24-10
591 726v	24-10
591 727v	24-10
591 728v	24-10
591 729v	24-10
591 730v	24-10
591 731v	24-10
591 740v	24-9
591 741v	24-9
591 742v	24-9
591 743v	24-9
591 748v	24-6
591 749v	24-6
591 750v	24-6
591 751v	24-6
591 752v	24-5
591 753v	24-5
591 754v	24-5
591 755v	24-5
591 768v	24-11
591 769v	24-11
591 770v	24-11
591 771v	24-11
591 772v	24-11
591 773v	24-11
591 774v	24-11
591 775v	24-11
591 799v	24-15
591 800v	24-15
591 806v	24-4
591 807v	24-3
591 808v	24-1
591 809v	24-1
591 810v	24-2
591 811v	24-2
591 813v	24-14
591 815v	24-12
591 816v	24-12
591 818v	24-13

PIPER PARTS CATALOG

Part Number	Figure and Index No.	Part Number	Figure and Index No.	Part Number	Figure and Index No.	Part Number	Figure and Index No.
591 821v	24-7	591 937v	24-15	751 319	82-5	752 537	54A-39
591 823v	24-7	591 943v	24-4	751 324v	33-16	752 544	54A-29
591 831v	24-8	591 944v	24-3	751 332	34-2	752 547v	33-21
591 832v	24-8	591 945v	24-1	751 336	81A-12a	752 563	33-38
591 833v	24-10	591 946v	24-1	751 341v	81A-10	752 566v	54A-37
591 834v	24-10	591 947v	24-2	751 342v	81A-12	752 567v	54A-38
591 837v	24-9	591 948v	24-2	751 347v	81A-11a	752 571v	44A-13
591 839v	24-11	591 950v	24-14	751 369	43-21	752 584v	52-22
591 840v	24-11	591 952v	24-12	751 369	46-7a	752 585v	52-24
591 841v	24-6	591 953v	24-12	751 381	73-22	752 594v	54B-3
591 842v	24-5	591 955v	24-13	751 381	73-25	752 609v	37D-12
591 845v	24-15	591 958v	24-7	751 381	75-11	752 610v	37D-11
591 846v	24-15	591 959v	24-7	751 405	44-10	752 713	54A-10
591 847v	24-15	591 968v	24-8	751 489	44-6	752 826	48-8
591 848v	24-15	591 969v	24-8	751 489	47-7	752 826	48-12
591 859v	24-4	591 970v	24-10	751 494	44-3	752 830	44-9
591 860v	24-4	591 971v	24-10	751 494	44-5	752 830	47-10
591 861v	24-3	591 974v	24-9	751 494	47-4	752 855	50-14
591 862v	24-3	591 976v	24-11	751 494	47-6	752 869	36-18
591 863v	24-1	591 977v	24-11	751 772	47-9	752 965	48-19
591 864v	24-4	591 978v	24-6	751 799	36-14	752 966	48-18
591 865v	24-1	591 979v	24-5	751 803	34-6	753 049	33-35
591 866v	24-1	594 089v	56-20	751 810	47-8	753 074	37D-21
591 867v	24-2	596 118v	83-27	751 815	29-8	753 122	36-20
591 868v	24-2	596 206v	80-1	751 817	34-10	753 172	50-8
591 869v	24-2	596 207v	80-3	751 819	44-7	753 193	36-17
591 870v	24-2	596 235v	81A-25	751 821	61-51	753 201	33-17
591 873v	24-14	596 236v	81A-21	751 859	29-3	753 202	34-10
591 874v	24-14	596 244v	81A-54	751 859	31-8	753 381	50-12
591 877v	24-12	596 332v	83-33	751 872	36-13	753 389	33-19
591 878v	24-12	596 444v	84A-2	751 874	33-27	753 391	33-15
591 879v	24-12	596 605v	88-1	751 877	33-31	753 391	34-8
591 880v	24-12	596 664v	83-33	751 878	34-15	753 392	33-14
591 883v	24-13	596 755	81A-15	751 889v	50-5	753 392	34-9
591 884v	24-13	596 756	81A-15	751 896	37D-6	753 407v	48-14
591 889v	24-7	597 257	82B-3	751 898	61-53	753 430v	48-17
591 890v	24-7	597 426v	88-1	751 906v	80-2	753 431	73-28
591 891v	24-7	597 461v	82B-1	751 906v	81A-58	753 433	37D-8
591 892v	24-7	654 047v	63-32	751 920	33-30	753 437	37D-10
591 911v	24-8	654 048v	63-33	751 922	33-28	753 448	44-6
591 912v	24-8	654 104v	32-32	751 960	33-12	753 461	54A-30
591 913v	24-8	654 117v	37D-53	751 961	34-11	753 462	54A-31
591 914v	24-8	654 119v	37D-52	751 983	61-48	753 463	54A-16
591 915v	24-10	688 164v	81-18	751 987	81-11	753 467	54A-24
591 916v	24-10	688 164v	81A-44	752 107	33-36	753 473	47-14
591 917v	24-10	688 235v	74A-25	752 108	33-2	753 650	36-19
591 918v	24-10	751 201	73-26	752 109	34-2	753 663	34-7
591 923v	24-9	751 201	75-10	752 132v	33-5	753 664	34-3
591 924v	24-9	751 202	73-23	752 135v	33-5	753 850	48-20
591 927v	24-11	751 202	75-10	752 301	16-48	753 910	29-2
591 928v	24-11	751 203	73-29	752 342v	48-7	753 923v	47-15
591 929v	24-11	751 258	33-23	752 342v	48-11	753 936v	48-2
591 930v	24-11	751 259	34-5	752 355	37D-7	753 938	37D-24
591 931v	24-6	751 287	81A-11	752 367	34-19	753 939	37D-20
591 932v	24-6	751 300	81A-19	752 511	54A-30	753 944	37D-14
591 933v	24-5	751 312v	75-5	752 511	54A-31	753 947	37D-5
591 934v	24-5	751 316	82-3	752 517	61-54	753 956v	50-2
591 936v	24-15	751 318	82-4	752 529v	33-21	753 980v	81-8

PIPER PARTS CATALOG

Part Number	Figure and Index No.
753 980v	81A-20
753 982	54A-15
753 986	61-50
753 987	61-52
754 614v	47-2
754 629v	54-8a
754 643v	47-2
754 761	37D-16
754 762	37D-17
754 771	33-33
754 779v	33-34
754 798v	37D-13
754 811	33-20
754 826	54A-5
754 833	33-8
754 836v	81-20
754 838	81A-69
754 848v	52-25
754 855v	44A-10
754 881v	36-12
755 022	33-29
755 028v	52-15
755 043v	54A-47
755 049v	63-12
755 049v	63-25
755 059v	74-61
755 075	76-12
755 076	76-13
755 082v	52-35
755 102v	63-31
755 122v	37D-19
755 200	75-4
755 243	33-6
755 252	34-11
755 253	34-11
755 255	33-12
755 265v	54A-2
755 300v	54B-2
755 301v	54B-2
755 302v	78A-11
755 401	33-36
755 427	28-5
755 428	28-4
755 456	33-2
755 472v	81A-15
755 473v	81A-15
755 479v	54B-7
755 601v	54B-12
755 602v	54B-6
755 602v	54B-14
755 615	33-37
755 800	54A-12
755 834	61-5
755 835	61-6
755 836	61-7
755 837	61-8
755 866	34-13
755 882v	50-17

Part Number	Figure and Index No.
755 885v	48-9
755 886v	48-10
755 887v	48-3
755 929	47-11
755 930	47-13
755 932	54A-11
755 933	54A-8
755 934	54A-13
755 935	54A-7
755 948v	50-3
755 949v	50-4
755 950v	50-18
755 964	44-8
755 968	54A-14
755 977	54A-9
755 997v	53-49
755 997v	53A-47
755 999	47-12
756 016v	52-37
756 018v	52-36
756 019v	52-13
756 037	75-7
756 048v	54A-4
756 053v	53-50
756 053v	53A-48
756 086	78-4
756 117	50-13
756 118	50-15
756 118	52-10
756 118	52-34
756 162	36-16
756 177	33-25
756 178	33-24
756 184	34-14
756 258v	36-12
756 262	34-21
756 284	54A-28
756 286	54A-36
756 289	54A-26
756 291	54A-32
756 293	54A-25
756 301	37D-15
756 504	37D-9
756 505	37D-4
756 506v	36-15
756 507	37D-3
756 577	33-3
756 564v	54A-27
756 603	54A-34
756 604	54A-34
756 606	54A-33
756 607	54A-19
756 620v	52-6
756 621v	52-9
756 621v	52-38
756 622v	52-11
756 622v	52-33
756 664v	78-21

Part Number	Figure and Index No.
756 664v	78A-17
756 665v	44-2
756 665v	47-5
756 666v	44-4
756 666v	47-3
756 669	54-7
756 674v	54A-45
756 685v	44A-12
756 687v	44A-4
756 688v	44A-2
756 739	Misc
757 052	81-5
757 052	81-13
757 052	81A-18
757 207v	48-5
757 208v	48-6
757 209v	48-13
757 216v	50-9
757 217v	50-10
757 218v	36-11
757 249	54A-17
757 255	61-49
757 316v	52-2
757 317v	52-3
757 318v	52-12
757 318v	52-32
757 321	54A-6
757 334	33-32
757 371v	54A-23
757 437v	52-7
757 456	81A-9
757 459v	81A-47
757 459v	89-74
757 479v	52-20
757 480v	52-17
757 483v	48-3
757 484v	48-9
757 485v	48-5
757 573	34-18
757 579	81-2
757 579	81A-2
757 579	81A-6
757 580v	52-4
757 580v	52-39
757 626	78-7
757 633	61-9
757 678v	54A-20
757 756	33-26
757 757v	33-22
757 762v	75-2
757 792	33-22
757 793v	29-5
757 793v	31-9a
757 863	81-9
757 863	81A-56
757 865	31-7
757 878	81A-31
757 954v	81A-23

Part Number	Figure and Index No.
757 955v	81A-24
757 957v	81A-22
757 982	33-4
757 988v	34-12
757 989v	34-4
757 990v	33-18
758 001v	81-14
758 001v	81A-31
758 002	81-15
758 013	33-18
758 013	34-12
758 017v	34-4
758 024	81-4
758 026	81A-7
758 051v	81A-26
758 052v	81A-27
758 053v	81A-29
758 054v	81A-30
758 092v	82A-3
758 093v	48-2
758 097v	27B-3
758 127	34-20
758 170	78-6
758 175	78-5
758 181v	81A-13
758 204	54A-18
758 263v	33-9
758 264v	33-10
758 265v	33-11
758 266	82-6
758 267	82-7
758 280v	54A-40
758 281	82-2
758 282v	54A-41
758 299	33-9
758 300	33-10
758 301v	33-11
758 305	33-19
758 326v	81-10
758 326v	81A-32
758 327v	81A-38
758 328v	81A-39
758 329v	81A-40
758 330v	54A-3
758 331v	54A-3
758 354v	81A-77
758 356v	54A-24
758 364	82-2
758 392v	44A-6
758 394v	44A-11
758 395v	54B-34
758 404v	81A-76
758 405v	81A-78
758 406v	81A-79
758 431	78-8
758 434	78-9
758 435v	78-9
758 435v	78A-4

PIPER PARTS CATALOG

Part Number	Figure and Index No
758 436v	78-9
758 436v	78A-4
758 452	82B-2
758 453	82B-5
758 456v	44-10
758 457v	52-41
758 459v	54-8b
758 460v	54B-9
758 461v	54B-9
758 462v	78A-3
758 463v	78A-1
758 464v	78A-1
758 528v	82A-2
758 551v	41-31
758 559v	78-21
758 559v	78A-17
760 297v	Misc
760 664v	Misc
760 698v	Misc
760 899	81A-8
760 968v	Misc
761 030v	Misc
761 048v	Misc
761 049v	Misc
761 050v	Misc
761 051v	Misc
761 085v	Misc
761 094v	Misc
761 100v	Misc
761 150v	23-4
761 156	75-9
761 157	75-8
761 158	75-6
761 159	75-6
761 161v	75-3
761 162	75-8
761 173v	81A-55
761 179v	31-37
761 189	75-2
761 194v	75-3
761 197v	48-7
761 197v	48-11
761 198v	85-3
761 222v	75-8
761 233v	54B-19
761 234v	54B-19
761 451	34-16
761 455	34-16
761 456	34-17
761 505v	81A-63
761 574v	33-13
761 605v	34-3
761 606v	33-13
761 606v	34-7
761 652v	27-13
761 652v	27B-23
761 653v	27-13
761 653v	27B-23

Part Number	Figure and Index No.
761 654v	27-13
761 654v	27B-23
761 655v	27-13
761 655v	27B-23
761 744v	37D-18
761 935v	33-7
761 939	82-1
761 945v	33-7
761 946	33-35
761 967	82-1
761 972	43-36
761 975	43-36
761 975	46-43
761 990	78-22
761 995	43-36
761 995	46-43
761 996	43-36
761 996	46-43
762 003	75-9
762 006v	78A-5
762 023v	37D-23
762 024v	37D-25
762 030v	82A-1
762 223v	81-1
762 223v	81A-1
762 224v	81A-3
762 225v	81A-5
762 226v	70-4b
762 227v	54A-29
762 228v	54A-42
762 249v	31-9b
762 257v	54A-22
762 258v	54A-46
762 259v	54A-44
762 260v	54A-43
762 275v	52-21
762 276v	52-18
762 277v	52-19
762 318	54B-33
762 354v	54B-16
762 357	82B-6
762 359v	54-8c
762 360v	54-8d
762 361v	54-8e
762 362v	54B-8
762 363v	54B-14
762 365v	54B-21
762 366v	54B-42
762 367v	54B-43
762 368	54B-35
762 369v	54B-27
762 370v	54B-28
762 371v	54B-17
762 375v	78A-8
762 376v	78A-2
762 451	33-18a
762 455	33-18a
762 456	33-18b

Part Number	Figure and Index No.
762 531v	52-27
762 558	44A-8
762 559v	44A-7
762 562v	44A-9
762 563v	54B-32
762 584v	37D-2
762 585	52-31
762 586v	52-42
762 587	52-29
762 588v	54B-4
762 589v	54B-5
762 590v	54B-11
762 591v	54B-23
762 593v	54B-20
762 594v	54B-25
762 595v	54B-30
762 596v	54B-38
762 597v	54B-39
762 598v	54B-26
762 599v	54B-36
762 600	54B-37
762 632v	54B-31
763 003v	16-56
763 003v	16A-4
763 003v	17-62a
763 003v	21-27
763 003v	27B-8
763 004v	82A-4
763 019	82B-4
763 021v	54B-6
763 025v	17A-13
763 035v	33-23
763 216v	44A-3
763 216v	44A-5
763 220v	81A-71
763 221v	81A-23
763 222v	81A-70
763 223v	81A-80
763 224v	81A-29
763 225v	81A-24
763 287v	44-3
763 287v	44-5
763 288v	54B-15
763 307v	81-3
763 310v	37D-22
763 317v	37D-1
763 418v	85-74
763 418v	81A-47
763 418v	89-74
763 450v	52-40
763 451	52-30
763 452v	54B-10
763 453v	54B-13
763 454v	54B-13
763 455v	54B-18
763 456v	54B-24
763 469	75-1
763 712v	44A-2

Part Number	Figure and Index No.
763 713v	44A-4
763 718v	44-2
763 719v	44-4
763 720v	54-8e
763 721v	54B-14
763 722v	54B-16
763 723v	54B-29
763 751v	47-3
763 752v	47-5
763 804v	Misc
763 814v	23-25
763 842	Misc
763 846v	Misc
763 849v	2-52
763 854	78-8
763 968v	Misc
763 969v	Misc
763 976v	Misc
763 993v	Misc
764 029v	Misc
764 041v	Misc
764 044v	Misc
764 094v	Misc
764 131v	Misc
764 401v	80-17
764 401v	81A-52

2119 THRU 2124
INTENTIONALLY LEFT BLANK